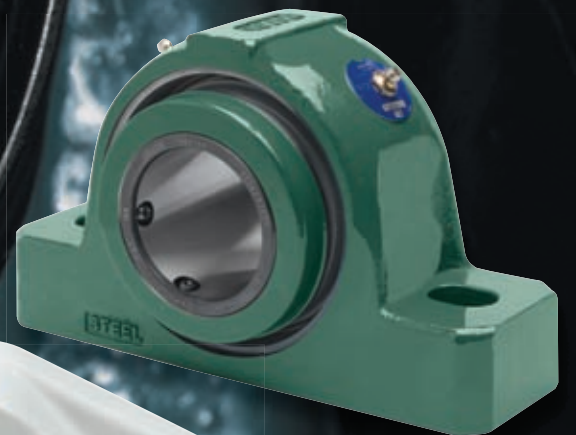


**DODGE**<sup>®</sup>

**2009**

**BEARING  
ENGINEERING  
CATALOG  
SUPPLEMENT**

ULTRA KLEEN  
E-Z KLEEN  
EXTREME DUTY  
IMPERIAL-HD  
S2000-HD



**BALDOR**<sup>®</sup>

To receive a copy of the DODGE Bearing Engineering Catalog, DODGE Gearing Engineering Catalog or DODGE Power Transmission Components Engineering Catalog, contact your local authorized DODGE Distributor or [www.baldor.com](http://www.baldor.com).

MEMBER OF . . .



AMERICAN GEAR MANUFACTURERS ASSOCIATION



MECHANICAL POWER TRANSMISSION ASSOCIATION

AFBMA

ANTI-FRICTION BEARING MANUFACTURERS ASSOCIATION



AMERICAN SUPPLY AND MACHINERY MANUFACTURERS ASSOCIATION, INC.



BEARING SPECIALISTS ASSOCIATION



POWER TRANSMISSION DISTRIBUTORS ASSOCIATION



CONVEYOR MANUFACTURERS ASSOCIATION



DODGE Products are  
Manufactured in  
ISO 9002 Certified Plants



Made in U.S.A.

Prices and data indicated in this document are for your convenience and were correct at time of printing with the exception of clerical and/or printing errors. Possession of this document by any person or company is not to be construed as an offer to sell to him or to anyone else the goods listed herein at the prices stated.

ALL DATA AND PRICES ARE SUBJECT TO CHANGE WITHOUT NOTICE and shall be subject to those prices in effect at time of shipments. All published and quoted prices are based upon the application of, and all sales are expressly subject to, the Company's Standard Terms and Conditions of Sales are available upon request. This document supersedes all previously published catalog/pricing documents.

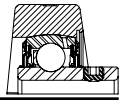
**WARNING**

The information provided for Product Interchange in this catalog is for use only as a general reference by persons qualified to recognize unreasonable selection options. Products suggested as substitutes may have dimensional, rating, pricing and other differences from products to be replaced. This selection method must be used in conjunction with the applicable product catalog which contains important precautions and other pertinent information.

In illustrations throughout this catalog, safety guards have been removed for photographic purposes.

© 2009 Baldor Electric Company

**WARNING:** Because of the possible danger to person(s) or property from accidents which may result from the improper use of products, it is important that correct procedures be followed: Products must be used in accordance with the engineering information specified in the catalog. Proper installation, maintenance and operation procedures must be observed. The instructions in the instruction manuals must be followed. Inspections should be made as necessary to assure safe operation under prevailing conditions. Proper guards and other suitable safety devices or procedures as may be described or as may be specified in safety codes should be provided, and are neither provided by Baldor Electric nor are the responsibility of Baldor Electric. This unit and its associated equipment must be installed, adjusted and maintained by qualified personnel who are familiar with the construction and operation of all equipment in the system and the potential hazards involved. When risk to persons or property may be involved, a holding device must be an integral part of the driven equipment beyond the speed reducer output shaft.



**Table of Contents**

**Ball Bearing**

**ULTRA KLEEN**

Features/Benefits . . . . .	2
How to Order/Nomenclature. . . . .	5
Easy Selection . . . . .	6
Selection/Dimensions . . . . .	14
Accessories (End Covers) . . . . .	29

**E-Z KLEEN**

Features/Benefits . . . . .	30
How to Order/Nomenclature. . . . .	35
Selection . . . . .	36
Easy Selection . . . . .	38
Selection/Dimensions . . . . .	48
Accessories (End Covers) . . . . .	90

**Extreme Duty**

Features/Benefits . . . . .	91
Easy Selection . . . . .	92
Selection . . . . .	94
Selection/Dimensions . . . . .	96
Accessories (End Covers) . . . . .	129

**Roller Bearing**

**IMPERIAL-HD**

Features/Benefits . . . . .	131
How to Order/Nomenclature. . . . .	134
Specification. . . . .	135
Selection . . . . .	136
Dimensions & Part Numbers. . . . .	144

**S2000-HD**

Features/Benefits . . . . .	172
Selection . . . . .	173
Dimensions & Part Numbers. . . . .	179
Type E Steel Pillow Block . . . . .	193
SAFS Steel Pillow Block . . . . .	202

<b>Part Number Index</b> . . . . .	210
------------------------------------	-----

ULTRA KLEEN

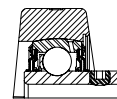
E-Z KLEEN

EXTREME DUTY

IMPERIAL-HD

S2000-HD

PART NUMBER INDEX



**FEATURES/BENEFITS**

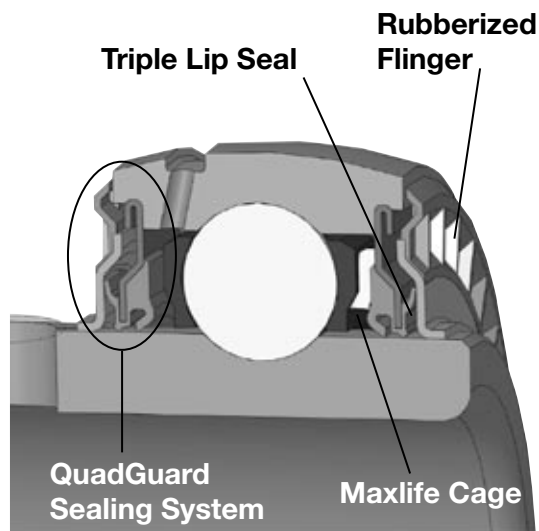
ULTRA KLEEN

**ULTRA KLEEN  
Polymer and Stainless Steel Housed Mounted Bearings**

**Insert:** The Dodge ULTRA KLEEN features inserts made of 100% stainless steel and includes set screws positioned at 65 degree angles to provide maximum locking force without compromising inner ring strength. The inserts each include a stainless anti-rotation pin to prevent insert rotation in the housing under load which may cause premature bearing failure. Stainless inserts eliminate the possibility of contamination due to chipping and flaking, commonly found in inserts which are coated with zinc or thin-dense chrome.

**Sealing:** Retaining lubrication and preventing contamination from entering the bearing is critical in harsh environments. That is why Dodge has developed the premium QuadGuard<sup>®</sup> sealing system for maximum sealing effectiveness under these conditions. The seal includes two patented features unique to Dodge bearings; these features are standard on the ULTRA KLEEN product. The first is a triple-lip seal designed to maximize sealing and produce less drag than other multi-lip seals. The Dodge patented triple-lip design uses a mechanically retained seal with two contact points on the inner ring and one contact point riding against the flinger surface. Three points of contact maximize the ability of the seal to guard against contamination and to retain lubricants. The QuadGuard seal incorporates the industry's first (and only) patented rubberized flinger.

This flinger uses molded rubber to provide additional protection from contaminants entering the bearing. The baffle design of the rubber on the external surface of the flinger enhances the removal of liquid as the flinger rotates. Grease chambers on the internal surface prevent lubricants from exiting the bearing during operation while allowing purging during re-lubrication. This superior design will increase service life in dirty environments thus leading to extended up-time for our customers. When used in conjunction with one another, the triple-lip seal and rubberized flinger create a sealing system that is ideal for demanding environments.



**Retainer:** The Maxlife<sup>®</sup> Cage is the product of extensive research and development in retainer technology and industry leading engineering. The cage features a two-piece design that creates a grease compartment around each of the rolling elements. These compartments allow balls to be constantly in contact with grease, so a good oil film will always exist to prevent wear and minimize friction and heat. The Maxlife cage reduces the relative motion between bearing components and grease which results in lower operating temperatures and extended life. The compartmental construction of the cage tends to hold in the grease and prevent it from being washed out in extremely wet or dirty conditions. This feature allows the bearing to be re-lubricated with less frequency than standard designs require, while extending bearing life.

**Lubrication:** 100% filled with H1, food grade grease

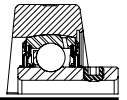
E-Z KLEEN

EXTREME DUTY

IMPERIAL-HD

S2000-HD

PART NUMBER INDEX



## ULTRA KLEEN

### Polymer and Stainless Steel Housed Mounted Bearings

**Housings:** The **ULTRA KLEEN** is available in a wide variety of both polymer and stainless housing designs.

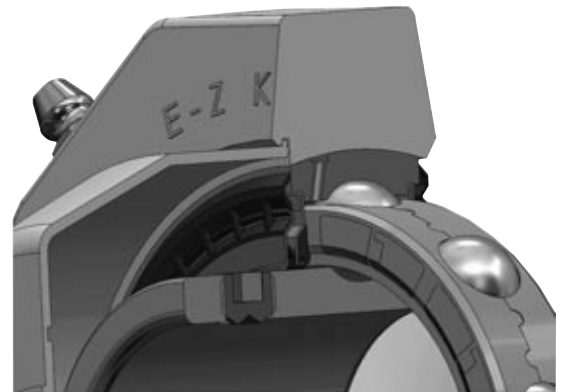
- **Polymer**

- 204 to 210 Series (3/4" bore to 2", 20mm to 50mm)
  - Pillow Block
  - Two-Bolt Flange
  - Four-Bolt Flange
- 204 to 207 Series (3/4" bore to 1-7/16", 20mm to 50mm)
  - Tapped Base
  - Flange Bracket
  - Wide Slot Take-Up
- Solid cross-section base housings
- No core cavities to trap contaminants
- Anti-Microbial agent retards bacterial and fungal growth
- All stainless hardware and fittings
- Housing strength exceeds bearing static capacity
- End covers available



- **Stainless**

- 204 to 208, 210 Series
  - Pillow Block
  - Two-Bolt Flange
  - Four-Bolt Flange
  - Narrow Slot Take-Up
  - Wide Slot Take-Up
  - Tapped Base
  - Flange Bracket (no 208, 209)
- 204-207 Series
  - Light Duty Two-Bolt Flange, LFT
  - Light Duty Three-bolt Flange, LF
- 300 Series stainless steel casting
- End covers available



### End Covers

All Dodge EZ KLEEN and ULTRA KLEEN bearings include a housing groove to accept a snap-on polymer end cover. These durable covers are easy to install and each is provided with a drain hole to prevent moisture from collecting inside the cover. The snap-on style of end cover incorporates an additional lip on the mounting surface for a rigid fit within the housing. This tight fit creates a better seal prevents movement of the cover during operation and high-pressure cleaning. Dodge snap-on end covers provide positive sealing in wet environments and create safer working conditions by enclosing rotating shafts.

ULTRA KLEEN

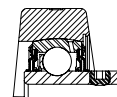
E-Z KLEEN

EXTREME DUTY

IMPERIAL-HD

S2000-HD

PART NUMBER INDEX



# FEATURES/BENEFITS

## EZ Kleen-SC, DL, GT Ultra Kleen-SC

EZ Kleen-SC, DL, GT Ultra Kleen-SC	End-Cover Capability		Sealing		Retainer
	End-Cover Groove	Snap-On End Cover	Triple-Lip Seal	Stainless Rubberized Flinger	Maxlife Cage
Standard Features	X	X	X	X	X

Housing Capability Stainless							
Housing Style	204	205	206	207	208	209	210
P2B	X	X	X	X	X		X
F2B	X	X	X	X	X		X
F4B	X	X	X	X	X		X
FB	X	X	X	X			X
TB	X	X	X	X	X		X
NSTU	X	X	X	X	X		X
WSTU	X	X	X	X	X		X
LF	X	X	X	X			
LFT	X	X	X	X			

Housing Capability Polymer							
Housing Style	204	205	206	207	208	209	210
P2B	X	X	X	X	X	X	X
F2B	X	X	X	X	X	X	X
F4B	X	X	X	X	X	X	X
FB	X	X	X	X			
TB	X	X	X	X			
NSTU							
WSTU	X	X	X	X			
LF							
LFT							

ULTRA KLEEN

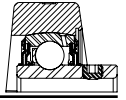
E-Z KLEEN

EXTREME DUTY

IMPERIAL-HD

S2000-HD

PART NUMBER INDEX



# ULTRA KLEEN Polymer and Stainless Steel Housed Mounted Bearings

## HOW TO ORDER

There are two ways to specify DODGE ULTRA KLEEN ball bearings. Most of the product offerings have part numbers with listings shown throughout this brochure. Use of part numbers ensures accurate order processing.

When part numbers are not shown, the product may be specified by description or part name. This method is used when ordering units that include modifications or options. To order by description for options not covered by the nomenclature.

## NOMENCLATURE

**P2B - SCHUEZ - 104S = PSS**

**Modification Or Feature:**

- SS = Stainless Steel Insert
- LL = Low torque labyrinth seal
- MOD = Modified
- NL = No Lube (sealed for life)
- P = Polymer housing
- SH = Stainless Steel Housing

**Shaft Size:**

**Inches:**

- First digit = Number of inches
- Second & third digits = Number of sixteenths of an inch
- 104 = Indicates 1-4/16 or 1-1/4
- S = Next smaller ring size. E.g. 1-1/4 206 would be written as 104S
- L = Next larger ring size. E.g. 1/2 204 would be written as 008L

**Metric:**

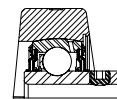
- First two digits = number of millimeters
- M = Metric

**Bearing Type:**

- SC = Wide inner ring, normal duty, 65° setscrew locking
- Suffixes to the above:
  - EZ = E-Z KLEEN/ULTRA KLEEN (used with polymer or stainless steel housed units)
  - BEZ = Low backing height pillow block, E-Z KLEEN/ULTRA KLEEN
  - UEZ = higher back pillow block, E-Z KLEEN/ULTRA KLEEN (for interchangeability with competitive pillow blocks)

**Housing:**

- F2B = 2 bolt flange
- F4B = 4 bolt flange
- FB = Flanged bracket
- INS = Insert
- P2B = Pillow block, 2 bolt base
- TB = Tapped base pillow block
- WSTU = Wide slot take-up
- NSTU = Narrow slot take-up
- LF = 3 bolt, light duty flange
- LFT = 2 bolt, light duty flange



## EASY SELECTION

# Selection of DODGE ULTRA KLEEN Polymer and Stainless Steel Housed Ball Bearings

DODGE ULTRA KLEEN mounted ball bearings are primarily designed for radial loading. However, they have the capacity to carry thrust loads and combined radial/thrust loads. The maximum recommended load which can be applied is limited by various components in the system, such as bearing, housing, shaft attachments, speed and life requirements as listed in this catalog and the instruction manual that accompanies each bearing. DODGE ULTRA KLEEN ball bearings have been applied successfully when these limits have been exceeded under controlled operating conditions. Contact DODGE Engineering for applications which exceed these recommendations.

Select a bearing from the Selection Table that has a radial load rating at the operating speed equal to or greater than the calculated Equivalent Radial Load for a desired  $L_{10}$  life. This simple method is all that is required for the majority of general applications and provides for occasional average shock loads.

**$L_{10}$  Hours Life**-the life which may be expected for at least 90% of a given group of bearings operating under identical conditions.

**Heavy Service**-For heavy shock loads, frequent shock loads or severe vibrations, add up to 50% (according to severity of conditions) to the Equivalent Radial Load to obtain a Modified Equivalent Radial Load. Consult Application Engineering for additional selection assistance.

A maximum thrust load value of  $C/10$  is recommended as a guide for general applications and will give adequate  $L_{10}$  life. If the thrust load exceeds this limit, it is advisable to use auxiliary thrust carrying devices, such as a shaft shoulder, snap ring, or a thrust collar. Where substantial radial load pulls the housing away from the mounting base, both the hold-down bolts and housing must be of adequate strength. Auxiliary load carrying devices, such as shear bars, are advisable for side or end-loading of pillow blocks and radial loads for flange units.

To determine the  $L_{10}$  hours life for loads and RPMs not listed use the following equation:

$$L_{10} = \left(\frac{C}{P}\right)^3 \left(\frac{16,667}{\text{RPM}}\right)$$

Where:

$L_{10}$  = Life, hours

C = Dynamic Capacity, lbs. or N

P = Equivalent Radial Load, lbs. or N

n = Revolutions per minute

When the load on a ball bearing is solely a radial load with no thrust (axial) load, the Equivalent Radial Load (P) is equal to the actual radial load. However, when a thrust (axial) load is applied, the radial and thrust loads applied must be converted into an Equivalent Radial Load. Use X (radial factor) and Y (thrust factor) from Table 1 to convert the actual applied thrust and radial loads to an Equivalent Radial Load which has the same effect on the life of a bearing as a radial load of this magnitude.

### Shaft Tolerances

Normal Shaft Size Inches	Recommended Shaft Tolerances SC
Up to 1-1/2"	+0.000 -0.0005
Over 1-1/2 to 2"	+0.000 -0.0010

$$P = XF_R + YF_A$$

Where:

P = Equivalent Radial Load, lbs.

$F_R$  = Radial load, lbs.

$F_A$  = Thrust load, lbs.

e = Thrust load to radial load factor (Table 1)

X = Radial load factor (Table 1)

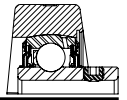
Y = Thrust Factor (Table 1)

$C_0$  = Basic static capacity (Selection Table)

To find X and Y, first calculate  $F_A/C_0$  to determine e. Calculate  $F_A/F_R$  and compare to e to determine the X and Y factors to use from Table 1.

Substitute all known values into the Equivalent Radial Load equation. The Equivalent Radial Load (P) thus determined can be used in the  $L_{10}$  life formula or compared to the allowable Equivalent Radial Load rating desired in the expanded rating chart to select a bearing (Selection Table).





## Selection of DODGE ULTRA KLEEN Polymer and Stainless Steel Housed Ball Bearings

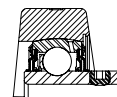
If calculated value of P is less than  $F_R$ , use  $P=F_R$ .

Table 1

$F_A/C_0$	e	Radial/Thrust Factors			
		If $F_A/F_R$ is equal to or less than e		If $F_A/F_R$ is greater than e	
		$F_A/F_R \leq e$		$F_A/F_R > e$	
		X	Y	X	Y
0.014	0.19	1	0	0.56	2.30
0.021	0.21	1	0	0.56	2.15
0.028	0.22	1	0	0.56	1.99
0.042	0.24	1	0	0.56	1.85
0.056	0.26	1	0	0.56	1.71
0.07	0.27	1	0	0.56	1.63
0.084	0.28	1	0	0.56	1.55
0.11	0.30	1	0	0.56	1.45
0.17	0.34	1	0	0.56	1.31
0.28	0.38	1	0	0.56	1.15
0.42	0.42	1	0	0.56	1.04
0.56	0.44	1	0	0.56	1.00

**Lubrication** - DODGE Ball Bearings are lubricated at the factory and are ready to run. The bearings are initially lubricated with an aluminum complex based, H1 Food Grade grease and should be relubricated with the same or some equivalent. For high speeds, high loads, extreme temperatures and other abnormal operating conditions, special greases may be required. Contact DODGE Application Engineering for recommendations on these types of applications.

**Misalignment** - DODGE Ball Bearings are designed to allow a maximum of 2° static misalignment. These bearings are not suitable for dynamic misalignment. To ensure good alignment, mounting surfaces must be checked for flatness and must lie in the same plane. When tightening base bolts, each bolt should be alternately tightening in incremental torque values until full torque is achieved to prevent the angular shifting of the pillow block that occurs when one bolt is tightened to its full torque. Shimming may be required to minimize misalignment.



# EASY SELECTION

## Table 2: Easy Selection for Polymer and Stainless Housed ULTRA KLEEN Mounted Ball Bearings - Inch and Metric

Ring Size	Shaft Size SC	Dynamic Capacity C, lbs.	Static Capacity C0, lbs.	L10 Life - Hours	Allowable Equivalent Radial Load Rating (lbs.) at Various RPM*											
					50	150	250	500	750	1000	1250	1500	1600	1750	2000	2250
204	1/2	2464	1209	20000	629	436	368	292	255	232	215	203	198	192	184	177
	5/8			30000	550	381	322	255	223	203	188	177	173	168	161	155
	3/4			40000	500	346	292	232	203	184	171	161	157	153	146	140
	13/16			60000	436	303	255	203	177	161	149	140	137	133	128	123
	20mm			100000	368	255	215	171	149	136	126	118	116	113	108	103
205	7/8	2674	1362	20000	683	474	399	317	277	252	234	220	215	209	200	192
	15/16			30000	597	414	349	277	242	220	204	192	188	182	174	168
	1			40000	542	376	317	252	220	200	185	174	171	166	159	152
	1 1/8			60000	474	328	277	220	192	174	162	152	149	145	138	133
	25mm			100000	399	277	234	185	162	147	137	129	126	122	117	112
206	1-1/16	3713	1958	20000	948	658	555	440	385	349	324	305	299	290	277	267
	1-1/8			30000	829	574	485	385	336	305	283	267	261	253	242	233
	1-3/16			40000	753	522	440	349	305	277	257	242	237	230	220	212
	1-1/4			60000	658	456	385	305	267	242	225	212	207	201	192	185
	30mm			100000	555	385	324	257	225	204	190	179	175	170	162	156
207	1-1/4	4895	2667	20000	1250	867	731	580	507	461	428	402	394	382	366	352
	1-5/16			30000	1092	757	639	507	443	402	374	352	344	334	319	307
	1-3/8			40000	992	688	580	461	402	366	339	319	313	303	290	279
	1-7/16			60000	867	601	507	402	352	319	296	279	273	265	254	244
	35mm			100000	731	507	428	339	296	269	250	235	230	224	214	206
208	1-1/2	6232	3484	20000	1592	1104	931	739	645	586	544	512	501	487	465	448
	1-5/8			30000	1391	964	813	645	564	512	476	448	438	425	407	391
	1 3/4			40000	1263	876	739	586	512	465	432	407	398	386	369	355
	40mm			60000	1104	765	645	512	448	407	377	355	348	337	323	310
				100000	931	645	544	432	377	343	318	300	293	285	272	262
209	1-5/8	6707	3872	20000	1713	1188	1002	795	695	631	586	551	540	524	501	482
	1-11/16			30000	1497	1038	875	695	607	551	512	482	471	458	438	421
	1-3/4			40000	1360	943	795	631	551	501	465	438	428	416	398	382
	45mm			60000	1188	824	695	551	482	438	406	382	374	363	347	334
				100000	1002	695	586	465	406	369	343	322	316	306	293	282
210	1-15/16	6707	3872	20000	1713	1188	1002	795	695	631	586	551	540	524	501	482
	2			30000	1497	1038	875	695	607	551	512	482	471	458	438	421
	50mm			40000	1360	943	795	631	551	501	465	438	428	416	398	382
				60000	1188	824	695	551	482	438	406	382	374	363	347	334
				100000	1002	695	586	465	406	369	343	322	316	306	293	282

\* Slight interference fit required when operating on the right of the heavy line or in the shaded area.

▲ Piloted flange only

ULTRA KLEEN

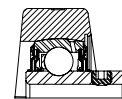
E-Z KLEEN

EXTREME DUTY

IMPERIAL-HD

S2000-HD

PART NUMBER INDEX



**Table 2: Easy Selection for Polymer and Stainless Housed ULTRA KLEEN Mounted Ball Bearings - Inch and Metric**

Ring Size	Shaft Size SC	Dynamic Capacity C, lbs.	Static Capacity CO, lbs.	L10 Life - Hours	Allowable Equivalent Radial Load Rating (lbs.) at Various RPM*											
					2500	2750	3000	3250	3500	3600	4000	4500	5000	5250	5500	6000
204	1/2	2464	1209	20000	171	166	161	157	153	151	146	140	136	133	131	128
	5/8			30000	149	145	140	137	133	132	128	123	118	117	115	111
	3/4			40000	136	131	128	124	121	120	116	111	108	106	104	101
	13/16			60000	118	115	111	109	106	105	101	97	94	93	91	88
	20mm			100000	100	97	94	92	89	88	85	82	79	78	77	75
205	7/8	2674	1362	20000	185	180	174	170	166	164	159	152	147	145	143	138
	15/16			30000	162	157	152	148	145	143	138	133	129	126	125	121
	1			40000	147	143	138	135	132	130	126	121	117	115	113	110
	25mm			60000	129	125	121	118	115	114	110	106	102	100	99	96
				100000	108	105	102	99	97	96	93	89	86	85	83	81
206	1-1/16	3713	1958	20000	257	249	242	236	230	228	220	212	204	201		
	1-1/8			30000	225	218	212	206	201	199	192	185	179	176		
	1-3/16			40000	204	198	192	187	183	181	175	168	162	160		
	1-1/4			60000	179	173	168	164	160	158	153	147	142	139		
	30mm			100000	151	146	142	138	135	133	129	124	119	118		
207	1-1/4	4895	2667	20000	339	329	319	311	303	301	290	279				
	1-5/16			30000	296	287	279	272	265	263	254	244				
	1-3/8			40000	269	261	254	247	241	239	230	221				
	1-7/16			60000	235	228	221	216	210	208	201	193				
	35mm			100000	198	192	187	182	177	176	170	163				
208	1-1/2	6232	3484	20000	432	419	407	396	386	383	369					
	1-5/8			30000	377	366	355	346	337	334	323					
	40mm			40000	343	332	323	314	307	304	293					
				60000	300	290	282	275	268	265	256					
				100000	253	245	238	232	226	224	216					
209	1-5/8	6707	3872	20000	465	450	438	426	416	412	398					
	1-11/16			30000	406	394	382	372	363	360	347					
	1-3/4			40000	369	358	347	338	330	327	316					
	45mm			60000	322	312	303	295	288	286	276					
				100000	272	263	256	249	243	241	233					
210	1-15/16	6707	3872	20000	465	450	438	426	416	412						
	2			30000	406	394	382	372	363	360						
	50mm			40000	369	358	347	338	330	327						
				60000	322	312	303	295	288	286						
				100000	272	263	256	249	243	241						

\* Slight interference fit required when operating on the right of the heavy line or in the shaded area.

▲ Piloted flange only

ULTRA KLEEN

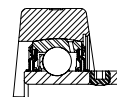
E-Z KLEEN

EXTREME DUTY

IMPERIAL-HD

S2000-HD

PART NUMBER INDEX



# EASY SELECTION

ULTRA KLEEN

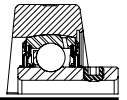
## ULTRA KLEEN Polymer Housings General Resistance to Chemical Groups at Room Temperature (20°C/68°F)

Chemical Group	Condition Or Subgroup	Resistance
Inorganic Acids (non-oxidizing)	concentrated	-
	diluted (1:1)	+1.00
	highly diluted	+1.00
Inorganic Acids (oxidizing)	concentrated	-
	diluted (1:1)	-
	highly diluted	+
Organic Acids	concentrated	=
	diluted (1:1)	+
	highly diluted	+
Bases	concentrated	-
	diluted (1:1)	-
	highly diluted	=
Salt Solutions	acidic	+
	neutral	+
	basic	=
Aliphatic Hydrocarbons		+
	oils and greases	+
Aromatic Hydrocarbons		=
	phenols	-
Halogenated Hydrocarbons	perhalogenated	+
	partially halogenated	-
Alcohols	monovalent	+
	polyvalent	=
Ketones		=
Esters		=
Ethers		+

(1) except hydrofluoric acid

(+) excellent resistance (=) good-fair resistance (-) fair-poor resistance (blank) no data available

PART NUMBER INDEX



### Chemical Resistance Chart

Chemical Agent	Solution Conc.	@ 23°C (73°F)		@ 60°C (140°F)		@ 80°C (175°F)
		Polymer Housing	Polymer Insert	Polymer Housing	Polymer Insert	Polymer Housing
<b>A</b>						
Acetic Acid	5%	+	+	=		=
Acetic Acid	10%	+		=		=
Acetic Acid	20%	=	-	=	-	=
Acetic Acid	80%	=	-	=	-	=
Acetic Acid	100%	=		=		=
Acetone		=	=			
Ammonium Chloride	10%		+		+	
Ammonium Hydroxide	10%	=	-			
Ammonium Hydroxide	conc.	-				
Aniline		+	=		=	
<b>B</b>						
Benzene		=	=	=	=	
Bleaching Lye		+		+		
Brake Fluid		+	+	+	+	+
Butane		+				
Butanol		=		=		
Butyl Acetate		+		=		
<b>C</b>						
Calcium Chloride	5%	+	+	+		
Calcium Chloride	10%	+		+		
Calcium Hydroxide	10%		+		+	
Calcium Hypochlorite		+		+		
Carbon Disulphide		+				
Carbon Tetrachloride		+	+			
Castor Oil			+			
Chloroform		-				
Chromic Acid	40%	+		-		-
Citric Acid	10%	+		+		+
Cottonseed Oil		+		+		+
Cresol		-		-		-
<b>D</b>						
Detergents	1%	+	+	=		-
Detergents	25%	+	+	=		-
Dibutyl Phthalate		+		+		
Diesel Oil		+				
Dioxane		+	=	-	=	
<b>E</b>						
Ethanol		+	=			
Ether (diethyl-)		+				
Ethyl Acetate		=	=			
Ethylene Dichloride		-				

(+) excellent resistance (=) good-fair resistance (-) fair-poor resistance (blank) no data available

ULTRA KLEEN

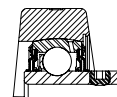
E-Z KLEEN

EXTREME DUTY

IMPERIAL-HD

S2000-HD

PART NUMBER INDEX

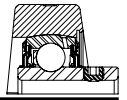


# EASY SELECTION

## Chemical Resistance Chart

Chemical Agent	Solution Conc.	@ 23°C (73°F)		@ 60°C (140°F)		@ 80°C (175°F)
		Polymer Housing	Polymer Insert	Polymer Housing	Polymer Insert	Polymer Housing
<b>F</b>						
Ferrous Chloride	5%		+			
Formic Acid	5%	+		=		+
Formic Acid	90%	=		-		-
Freon 11		+				
<b>G</b>						
Gasoline		+	+			
Glycerol (Glycerin)		=		=		
Glycol		=		=		
Grease		+	+	+	+	+
<b>H</b>						
Heptane		+				
Hexane		+	+		+	
Hydrochloric Acid	10%	+	-	=	-	-
Hydrochloric Acid	90%	-	-	-	-	-
Hydrofluoric Acid	5%	-		-		-
Hydrofluoric Acid	50%	-		-		-
Hydrogen Peroxide	3%	+	+			
Hydrogen Peroxide	30%	=	+			
<b>I J</b>						
Isoamyle Alcohol			=		=	
Isopropanol		=		=		
<b>K L</b>						
Kerosene		+	+		+	
Lithium Chloride	43%		+		+	
<b>M</b>						
Methanol		+	=		=	
Methylene Chloride		-	+	-		
Methyl Ethyl Ketone		+	+	=	+	
Methyl Salicylate			+			
Mineral Oil		+	+	+	+	+
Motor Oils		+	+	+	+	+
<b>N</b>						
Nitric Acid	10%	+	-	=	-	=
Nitric Acid	40%	-	-	-	-	-
Nitric Acid	70%	-	-	-	-	-
<b>O</b>						
Oleic Acid	100%	+		+		+
Olive Oil		+	+	+	+	+
<b>P</b>						
Perchloroethylene		+	=	=	=	
Petroleum Ether		+				
Phenol		=		-	-	-
Phosphoric Acid	3%	+		+		+

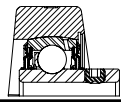
(+) excellent resistance   (=) good-fair resistance   (-) fair-poor resistance   (blank) no data available



**Chemical Resistance Chart**

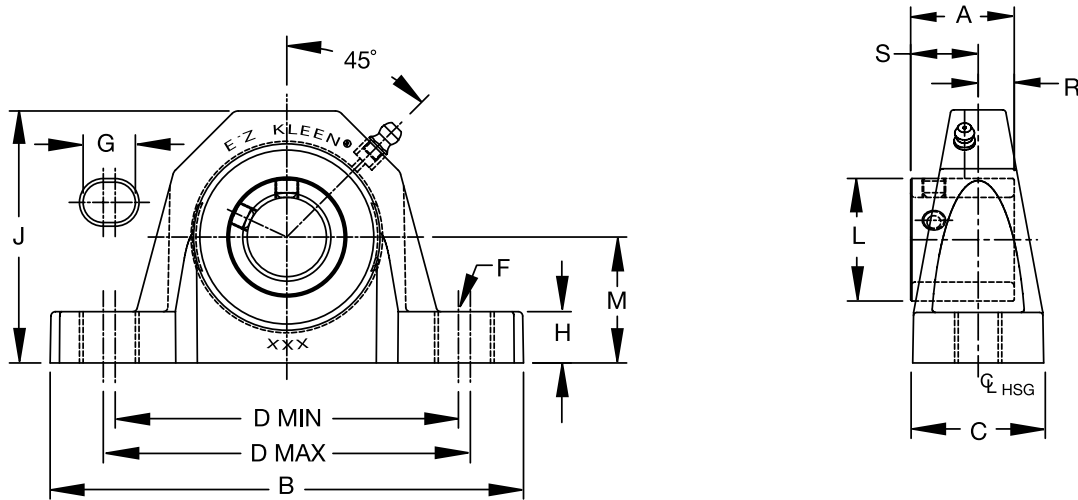
Chemical Agent	Solution Conc.	@ 23°C (73°F)		@ 60°C (140°F)		@ 80°C (175°F)
		Polymer Housing	Polymer Insert	Polymer Housing	Polymer Insert	Polymer Housing
<b>P (cont)</b>						
Phosphoric Acid	30%	+	-	+	-	+
Phosphoric Acid	85%	+	-	+	-	-
Potassium Chloride	10%	+		=		-
P (Continued)						
Potassium Dichromate	10%	+				
Potassium Hydroxide	1%	-		-		-
Potassium Hydroxide	10%	-		-		-
Potassium Hydroxide	60%	-		-		-
Potassium Permanganate	10%	+	+		+	
<b>S</b>						
Silicone Fluids		+		+		+
Soap Solution	1%	+	+	=	=	-
Sodium Bicarbonate	10%	+		=		-
Sodium Bisulfate	5%		+			
Sodium Bisulfite	5%	+	-			
Sodium Bisulfite	10%	+	-	=		-
Sodium Carbonate	10%	+		-		-
Sodium Carbonate	20%	+		-		-
Sodium Chloride	10%	+	+	=	+	-
Sodium Hydroxide	1%	-		-		-
Sodium Hydroxide	10%	-	-	-		-
Sodium Hydroxide	60%	-		-		-
Sodium Hypochlorite	5%	+	-			
Sodium Hypochlorite	10%	+		=		-
Sulfuric Acid	3%	+	-	+	-	+
Sulfuric Acid	30%	+	-	+	-	-
Sulfuric Acid	98%	-	-	-	-	-
<b>T</b>						
Tetrahydrofuran		=				
Toulene		+	=			
Transformer Oil		+	+	+	+	+
Trichlorethylene		=				
Triethylamine			=		=	
Turpentine		+				
<b>V</b>						
Vaseline		+		+		+
Vegetable Oils		+	+	+	+	+
<b>W</b>						
Water		+	+	=	=	-
White Spirits		+				
<b>X</b>						
Xylene		+				

(+) excellent resistance   (=) good-fair resistance   (-) fair-poor resistance   (blank) no data available



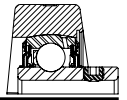
# SELECTION/DIMENSIONS

## ULTRA KLEEN Mounted Bearings SCEZ PSS Normal Duty Polymer Housed Pillow Blocks

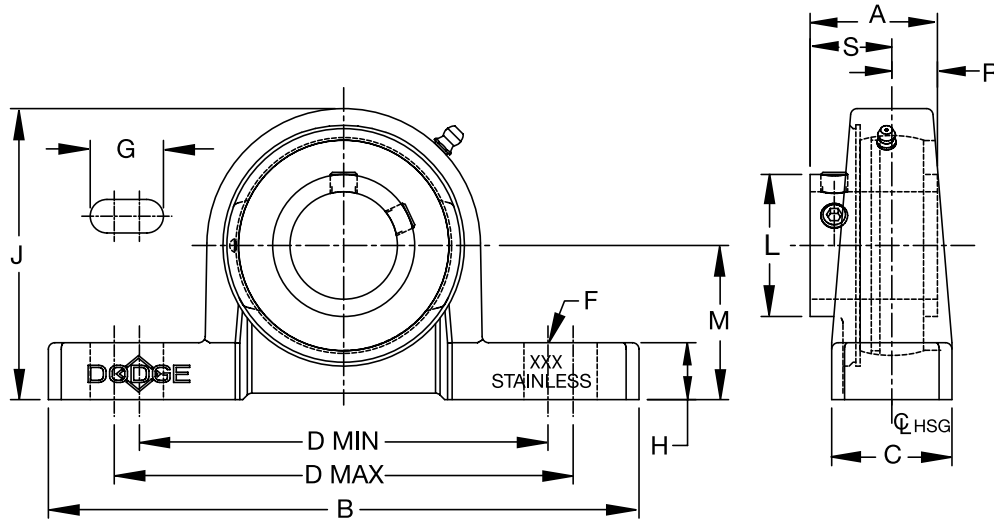


Series	Shaft Size	With Stainless Steel Insert		Weight lbs kg	A	B	C	D		F Bolt Dia.	G	H	J	L	M	R	S
		Part No.	Description					min.	max.								
204	3/4 20 mm	<b>136695</b>	P2B-SCEZ-012-PSS	0.64	1-5/32	5-1/32	1-31/64	3-43/64	3-59/64	3/8	19/32	39/64	2-5/8	1-1/8	1-5/16	27/64	47/64
		<b>136740</b>	P2B-SCEZ-20M-PSS	0.30	29.4	127.8	37.7	93.3	99.6	M10	15.1	15.5	66.7	28.6	33.3	10.7	18.7
205	1 25 mm	<b>136696</b>	P2B-SCEZ-100-PSS	0.69	1-3/16	5-1/2	1-31/64	3-31/32	4-13/64	3/8	19/32	39/64	2-55/64	1-21/64	1-7/16	27/64	49/64
		<b>136741</b>	P2B-SCEZ-25M-PSS	0.32	30.2	139.7	37.7	100.8	106.8	M10	15.1	15.5	72.6	33.7	36.5	10.7	19.4
206	1-3/16 1-1/4 30 mm	<b>136697</b>	P2B-SCUEZ-103-PSS	1.13	1-25/64	6-5/16	1-25/32	4-39/64	4-57/64	1/2	23/32	45/64	3-11/32	1-37/64	1-11/16	31/64	29/32
		<b>136698</b>	P2B-SCUEZ-104S-PSS	1.11													
		<b>136742</b>	P2B-SCUEZ-30M-PSS	0.51	35.3	160.3	45.2	116.9	124.2	M12	18.3	17.9	84.9	40.1	42.9	12.3	23
207	1-1/4 1-7/16 35 mm	<b>136699</b>	P2B-SCEZ-104-PSS	1.68	1-17/32	6-35/64	1-7/8	4-13/16	5-1/8	1/2	23/32	23/32	3-57/64	1-27/32	1-7/8	1/2	1-1/32
		<b>136700</b>	P2B-SCEZ-107-PSS	1.52													
		<b>136743</b>	P2B-SCEZ-35M-PSS	0.74	38.9	166.3	47.8	122.2	130.2	M12	18.3	18.3	98.8	46.8	47.6	12.7	26.2
208	1-1/2 40 mm	<b>136701</b>	P2B-SCBEZ-108-PSS	2.08	1-11/16	7-13/64	2-7/64	5-7/64	5-41/64	1/2	7/8	49/64	4-11/64	2-3/64	1-15/16	19/32	1-3/32
		<b>136744</b>	P2B-SCBEZ-40M-PSS	0.88	42.9	183.0	53.6	129.6	143.3	M12	22.2	19.4	106	52	49.2	15.1	27.8
209	1-11/16 1-3/4 45 mm	<b>136702</b>	P2B-SCEZ-111-PSS	2.34	1-23/32	7-13/64	2-7/64	5-27/64	5-31/32	1/2	7/8	27/32	4-5/16	2-7/32	2-1/8	19/32	1-1/8
		<b>127694</b>	P2B-SCEZ-112-PSS	2.34													
		<b>136745</b>	P2B-SCEZ-45M-PSS	1.03	43.7	183.0	53.6	137.7	151.6	M12	22.2	21.4	109.5	56.4	54	15.1	28.6
210	1-15/16 2 50 mm	<b>136703</b>	P2B-SCEZ-115-PSS	2.65	1-3/4	8-1/16	2-23/64	6	6-9/16	5/8	1	59/64	4-9/16	2-7/16	2-1/4	19/32	1-5/32
		<b>136986</b>	P2B-SCEZ-200-PSS	2.58													
		<b>136746</b>	P2B-SCEZ-50M-PSS	1.30	44.5	204.8	59.9	152.4	166.7	M16	25.4	23.4	115.9	61.9	57.2	15.1	29.4





**ULTRA KLEEN Mounted Bearings**  
**SCEZ SHSS Normal Duty Stainless Steel Housed Pillow Blocks**



Series	Shaft Size	With Stainless Steel Insert		Weight lbs kg	A	B	C	D		F Bolt Dia.	G	H	J	L	M	R	S
		Part No.	Description					min.	max.								
204	3/4 20mm	<b>136773</b>	P2B-SCEZ-012-SHSS	1.31	1-5/32	5	1	3-3/8	4-3/16	3/8	27/32	1/2	2-1/2	1-1/8	1-5/16	27/64	47/64
		<b>136849</b>	P2B-SCEZ-20M-SHSS	0.59	29.4	127.0	25.4	85.7	106.4	M10	21.4	12.7	63.5	28.6	33.3	10.7	18.7
205	1 25mm	<b>136774</b>	P2B-SCEZ-100-SHSS	1.59	1-3/16	5-1/2	1-1/8	3-11/16	4-1/2	3/8	27/32	17/32	2-23/32	1-21/64	1-7/16	27/64	49/64
		<b>136850</b>	P2B-SCEZ-25M-SHSS	0.73	30.2	139.7	28.6	93.7	114.3	M10	21.4	13.5	69.1	33.7	36.5	10.7	19.4
206	1-3/16 1-1/4 30mm	<b>136775</b>	P2B-SCEZ-103-SHSS	2.33	1-25/64	6-1/4	1-1/4	4-17/64	5	1/2	15/16	17/32	3-1/8	1-37/64	1-5/8	31/64	29/32
		<b>136777</b>	P2B-SCEZ-104S-SHSS	2.29													
		@	P2B-SCEZ-30M-SHSS	1.06	35.3	158.8	31.8	108.3	127	M12	23.8	13.5	79.4	40.1	41.3	12.3	23
206 (SCU)	1-3/16 1-1/4 30mm	<b>136776</b>	P2B-SCUEZ-103-SHSS	2.44	1-25/64	6-1/4	1-1/4	4-17/64	5	1/2	15/16	19/32	3-3/16	1-37/64	1-11/16	31/64	29/32
		<b>136778</b>	P2B-SCUEZ-104S-SHSS	2.39													
		<b>136851</b>	P2B-SCUEZ-30M-SHSS	1.11	35.3	158.8	31.8	108.3	127	M12	23.8	15.1	81	40.1	42.9	12.3	23
207	1-1/4 1-7/16 35 mm	<b>136779</b>	P2B-SCEZ-104-SHSS	3.36	1-17/32	6-1/2	1-3/8	4-11/16	5-7/16	1/2	15/16	9/16	3-5/8	1-27/32	1-7/8	1/2	1-1/32
		<b>136780</b>	P2B-SCEZ-107-SHSS	3.19													
		<b>136852</b>	P2B-SCEZ-35M-SHSS	1.47	38.9	165.1	34.9	119.1	138.1	M12	23.8	14.3	92.1	46.8	47.6	12.7	26.2
208	1-1/2 40mm	<b>136781</b>	P2B-SCEZ-108-SHSS	4.39	1-11/16	7	1-1/2	5-3/16	6	1/2	31/32	3/4	4	2-3/64	2-1/8	19/32	1-3/32
		@	P2B-SCEZ-40mm-SHSS	1.95	42.9	177.8	38.1	131.8	152.4	M12	24.6	19.1	101.6	52	54	15.1	27.8
208 (SCB)	1-1/2 40mm	<b>136782</b>	P2B-SCBEZ-108-SHSS	3.93	1-11/16	7	1-1/2	5-3/16	6	1/2	31/32	9/16	3-13/16	2-3/64	1-15/16	19/32	1-3/32
		<b>136853</b>	P2B-SCBEZ-40M-SHSS	1.74	42.9	177.8	38.1	131.8	152.4	M12	24.6	14.3	96.8	52	49.2	15.1	27.8
210	1-15/16 2 50 mm	<b>136783</b>	P2B-SCEZ-115-SHSS	5.14	1-3/4	8	1-5/8	5-49/64	6-11/16	5/8	1-9/64	5/8	4-5/16	2-7/16	2-1/4	19/32	1-5/32
		<b>136989</b>	P2B-SCEZ-200-SHSS	5.09													
		<b>136854</b>	P2B-SCEZ-50M-SHSS	2.29	44.6	203.2	41.3	146.4	169.9	M16	29	15.9	109.5	61.9	57.2	15.1	29.4

@ Assembled to order

ULTRA KLEEN

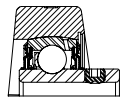
E-Z KLEEN

EXTREME DUTY

IMPERIAL-HD

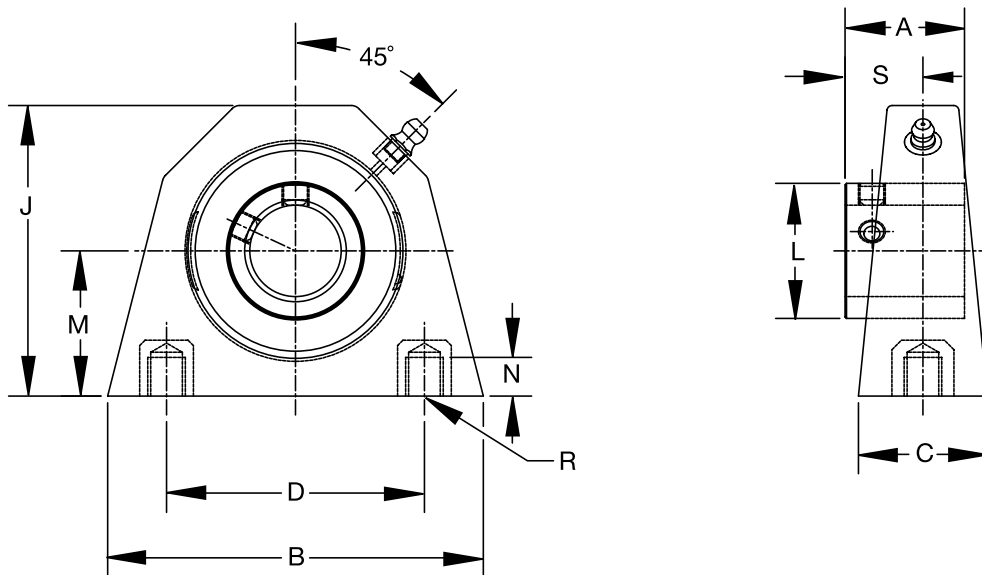
S2000-HD

PART NUMBER INDEX

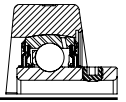


# SELECTION/DIMENSIONS

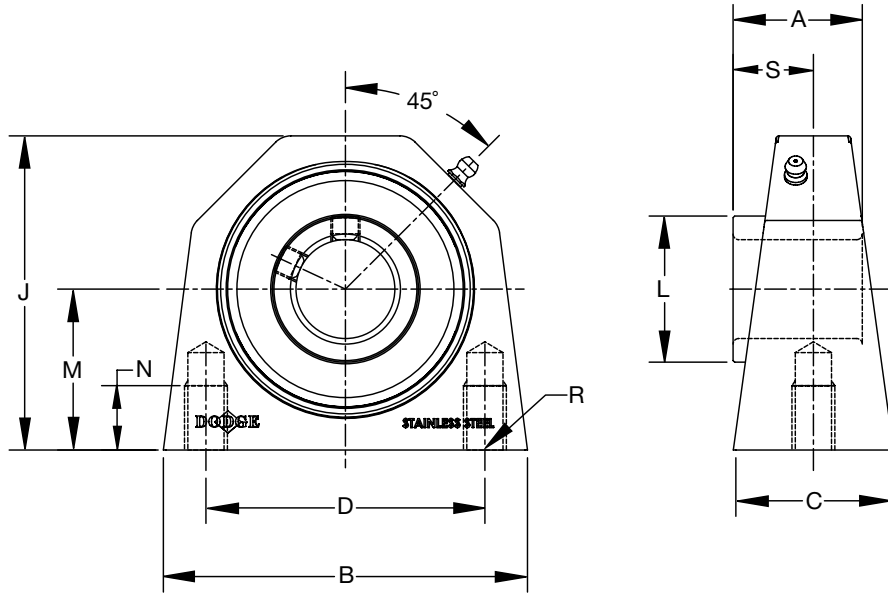
## ULTRA KLEEN Mounted Bearings SCEZ PSS Normal Duty Polymer Housed Tapped Base Pillow Blocks



Series	Shaft Size	With Stainless Steel Insert		Weight lbs kg	A	B	C	D	J	L	M	N Thread Depth	R Bolt Hole Threads	S
		Part No.	Description											
204	3/4	<b>136704</b>	TB-SCEZ-012-PSS	0.60	1-5/32	3-1/4	1-31/64	2	2-21/32	1-1/8	1-5/16	13/32	3/8-16	47/64
	20 mm	<b>136747</b>	TB-SCEZ-20M-PSS	0.29	29.4	82.6	37.7	50.8	67.6	28.6	33.3	10.2	M10x1.5	18.7
205	1	<b>136705</b>	TB-SCEZ-100-PSS	0.58	1-3/16	3-1/4	1-1/2	2	2-57/64	1-21/64	1-7/16	13/32	3/8-16	49/64
	25 mm	<b>136748</b>	TB-SCEZ-25M-PSS	0.28	30.2	82.6	38.1	50.8	73.3	33.7	36.5	10.2	M10x1.5	19.4
206	1-3/16	<b>136706</b>	TB-SCEZ-103-PSS	1.09	1-25/64	4-3/8	1-37/64	3	3-3/8	1-37/64	1-11/16	29/64	7/16-14	29/32
	1-1/4 30 mm	<b>136707</b> <b>136749</b>	TB-SCEZ-104S-PSS TB-SCEZ-30M-PSS	1.07 0.49	35.3	111.1	40.1	76.2	85.9	40.1	42.9	11.4	M10x1.5	23.0
207	1-1/4	<b>136708</b>	TB-SCEZ-104-PSS	1.64	1-17/32	4-5/8	1-57/64	3-1/4	3-13/16	1-27/32	1-7/8	35/64	1/2-13	1-1/32
	1-7/16 35 mm	<b>136709</b> <b>136750</b>	TB-SCEZ-107-PSS TB-SCEZ-35M-PSS	1.48 0.72	38.9	117.5	48.0	82.6	97.2	46.8	47.6	14.0	M12x1.75	26.2



**ULTRA KLEEN Mounted Bearings**  
**SCEZ SHSS Normal Duty Stainless Steel Tapped Base Bearings**



Series	Shaft Size	With Stainless Steel Insert		Weight lbs. kg	A	B	C	D	J	L	M	N	R	S
		Part No.	Description											
204	3/4	<b>136784</b>	TB-SCEZ-012-SHSS	1.27	1-5/32	2-7/8	1-31/64	2	2-1/2	1-1/8	1-5/16	29/64	3/8-16	47/64
	20 mm	<b>136855</b>	TB-SCEZ-20M-SHSS	.576	29.4	73.0	37.6	50.8	63.6	28.6	33.3	11.4	M8x1.25	18.7
205	1	<b>136785</b>	TB-SCEZ-100-SHSS	1.48	1-3/16	3	1-31/64	2	2-3/4	1-21/64	1-7/16	29/64	3/8-16	47/64
	25 mm	<b>136856</b>	TB-SCEZ-25M-SHSS	.671	30.2	76.2	37.9	50.8	69.8	33.7	36.5	11.4	M10x1.5	19.4
206	1-3/16	<b>136786</b>	TB-SCEZ-103-SHSS	2.49	1-25/64	4	1-9/16	3	3-7/32	1-37/64	1-11/16	7/8	7/16-14	1-11/16
	30 mm	<b>136787</b>	TB-SCEZ-104S-SHSS	1.13	35.3	101.6	39.9	76.2	81.72	40.1	42.9	22.2	M10x1.5	42.9
207	1-1/4	<b>136788</b>	TB-SCEZ-104-SHSS	3.55	1-7/32	4-1/4	1-7/8	3-1/4	3-21/32	1-27/32	1-7/8	3/4	1/2-13	1-1/32
	35 mm	<b>136858</b>	TB-SCEZ-35M-SHSS	1.61	38.9	108.0	47.6	82.6	93.0	46.8	47.6	19.1	M10x1.5	26.2
208	1-1/2	<b>136788</b>	TB-SCEZ-104-SHSS	4.21	1-11/16	4-5/8	1-7/8	3-1/2	4	2-3/64	2-1/8	1	1/2-13	1-3/32
	40 mm	<b>136859</b>	TB-SCEZ-40M-SHSS	1.91	42.9	117.5	47.6	88.9	101.6	52.0	54.0	25.4	M12x1.75	27.8
210	1-15/16	<b>136792</b>	TB-SCEZ-115-SHSS	5.67	1-3/4	5-1/2	2	4	4-15/32	2-7/16	2-1/4	1-1/4	5/8-11	1-5/32
	50mm	<b>136990</b>	TB-SCEZ-200-SHSS	2.57	44.5	139.7	50.8	101.6	113.5	61.9	57.2	31.8	M16x2	29.4

ULTRA KLEEN

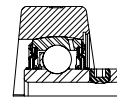
E-Z KLEEN

EXTREME DUTY

IMPERIAL-HD

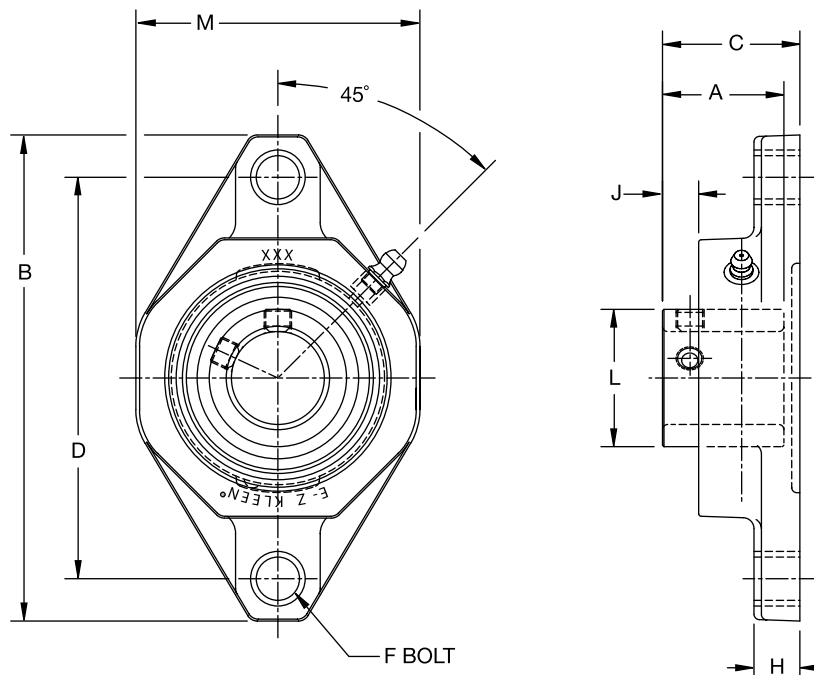
S2000-HD

PART NUMBER INDEX

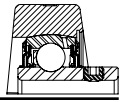


# SELECTION/DIMENSIONS

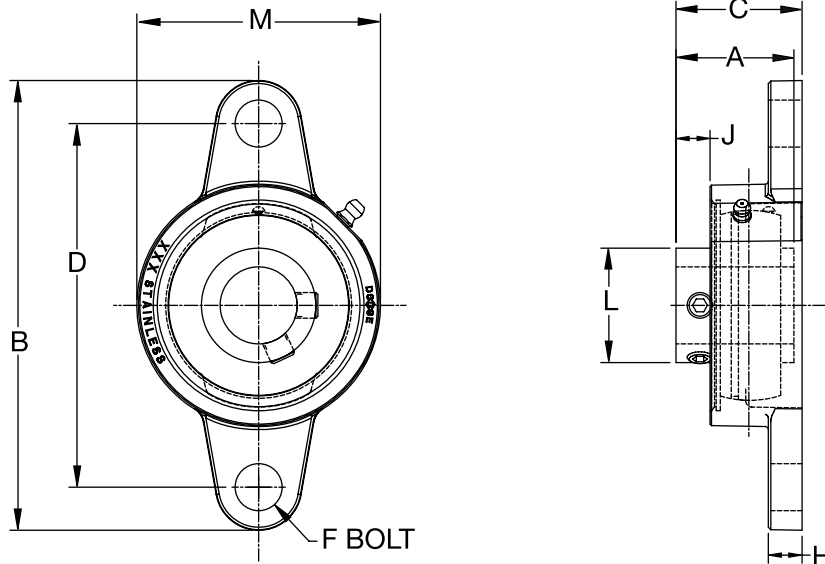
## ULTRA KLEEN Mounted Bearings SCEZ PSS Normal Duty Polymer Housed 2 Bolt Flange Bearings



Series	Shaft Size	With Stainless Steel Insert		Weight lbs kg	A	B	C	D	F Bolt Dia.	H	J	L	M
		Part No.	Description										
204	3/4	<b>136710</b>	F2B-SCEZ-012-PSS	0.40	1-5/32	4-29/64	1-27/64	3-17/32	3/8	17/32	19/64	1-1/8	2-23/64
	20 mm	<b>136751</b>	F2B-SCEZ-20M-PSS	0.24	29.4	113.0	36.1	90.0	M10	13.5	7.6	28.6	59.9
205	1	<b>136711</b>	F2B-SCEZ-100-PSS	0.56	1-3/16	4-59/64	1-15/32	3-57/64	3/8	35/64	21/64	1-21/64	2-23/32
	25 mm	<b>136752</b>	F2B-SCEZ-25M-PSS	0.28	30.2	125.0	37.3	99.0	M10	13.9	8.4	33.7	69.1
206	1-3/16	<b>136712</b>	F2B-SCEZ-103-PSS	0.86	1-25/64	5-19/32	1-21/32	4-19/32	3/8	39/64	27/64	1-37/64	3-13/64
	1-1/4 30 mm	<b>136713</b> <b>136753</b>	F2B-SCEZ-104S-PSS F2B-SCEZ-30M-PSS	0.84 0.39	35.3	142.1	42.1	116.5	M10	13.9	10.6	40.1	81.4
207	1-1/4	<b>136714</b>	F2B-SCEZ-104-PSS	1.36	1-17/32	6-5/16	1-51/64	5-1/8	1/2	5/8	33/64	1-27/32	3-45/64
	1-7/16 35 mm	<b>136715</b> <b>136754</b>	F2B-SCEZ-107-PSS F2B-SCEZ-35M-PSS	1.24 0.61	38.9	160.3	45.6	130.0	M12	15.9	13.2	46.8	94.1
208	1-1/2	<b>136716</b>	F2B-SCEZ-108-PSS	1.82	1-11/16	6-25/32	1-31/32	5-21/32	1/2	43/64	33/64	2-3/64	4-1/16
	40 mm	<b>136755</b>	F2B-SCEZ-40M-PSS	0.76	42.9	172.2	50.0	143.5	M12	17.1	13.2	52.0	103.1
209	1-11/16	<b>136717</b>	F2B-SCEZ-111-PSS	2.00	1-23/32	7-5/64	2-1/64	5-27/32	9/16	23/32	9/16	2-7/32	4-5/16
	1-3/4 45 mm	<b>127608</b> <b>136756</b>	F2B-SCEZ-112-PSS F2B-SCEZ-45M-PSS	2.00 0.88	43.7	179.8	51.2	148.5	M14	18.2	14.1	56.4	109.5
210	1-15/16	<b>136718</b>	F2B-SCEZ-115-PSS	2.12	1-3/4	7-31/64	2-11/64	6-3/16	5/8	49/64	19/32	2-7/16	4-1/2
	2 50mm	<b>136987</b> <b>136757</b>	F2B-SCEZ-200-PSS F2B-SCEZ-50M-PSS	2.08 0.96	44.5	190.1	55.2	157.0	M16	19.4	14.9	61.9	114.3



**ULTRA KLEEN Mounted Bearings**  
**SCEZ SHSS Normal Duty Stainless Steel Housed 2 Bolt Flange Bearings**



Series	Shaft Size	With Stainless Steel Insert		Weight lbs kg	A	B	C	D	F Bolt Dia.	H	J	L	M
		Part No.	Description										
204	3/4	<b>136793</b>	F2B-SCEZ-012-SHSS	0.95	1-5/32	4-3/8	1-1/4	3-17/32	3/8	21/64	11/32	1-1/8	2-3/8
	20 mm	<b>136861</b>	F2B-SCEZ-20M-SHSS	0.42	29.4	111.1	31.8	89.7	M10	8.3	8.7	28.6	60.3
205	1	<b>136794</b>	F2B-SCEZ-100-SHSS	1.21	1-3/16	4-57/64	1-11/32	3-57/64	3/8	23/64	3/8	1-21/64	2-5/8
	25 mm	<b>136862</b>	F2B-SCEZ-25M-SHSS	0.55	30.2	124.2	34.1	98.8	M10	9.1	9.5	33.7	66.7
206	1-3/16	<b>136795</b>	F2B-SCEZ-103-SHSS	1.91	1-25/64	5-33/64	1-9/16	4-19/32	3/8	23/64	27/64	1-37/64	3-1/8
	1-1/4	<b>136796</b>	F2B-SCEZ-104S-SHSS	1.87									
	30 mm	<b>136863</b>	F2B-SCEZ-30M-SHSS	0.87	35.3	140.1	39.7	116.7	M10	9.1	10.7	40.1	79.4
207	1-1/4	<b>136797</b>	F2B-SCEZ-104-SHSS	2.64	1-17/32	6-3/16	1-3/4	5-1/8	1/2	27/64	17/32	1-27/32	3-1/2
	1-7/16	<b>136798</b>	F2B-SCEZ-107-SHSS	2.47									
	35 mm	<b>136864</b>	F2B-SCEZ-35M-SHSS	1.15	38.9	157.2	44.5	130.2	M12	10.7	13.5	46.8	88.9
208	1-1/2	<b>136799</b>	F2B-SCEZ-108-SHSS	3.40	1-11/16	6-23/32	1-7/8	5-21/32	1/2	27/64	17/32	2-3/64	3-27/32
	40 mm	<b>136865</b>	F2B-SCEZ-40M-SHSS	1.50	42.9	170.7	47.6	143.7	M12	10.7	13.5	52.0	97.6
210	1-15/16	<b>136800</b>	F2B-SCEZ-115-SHSS	4.17	1-3/4	7-31/64	1-61/64	6-3/16	5/8	31/64	19/32	2-7/16	4-5/16
	2	<b>136991</b>	F2B-SCEZ-200-SHSS	4.13									
	50mm	<b>136866</b>	F2B-SCEZ-50M-SHSS	1.87	44.5	190.1	49.6	157.2	M16	12.3	15.1	61.9	109.5

ULTRA KLEEN

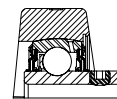
E-Z KLEEN

EXTREME DUTY

IMPERIAL-HD

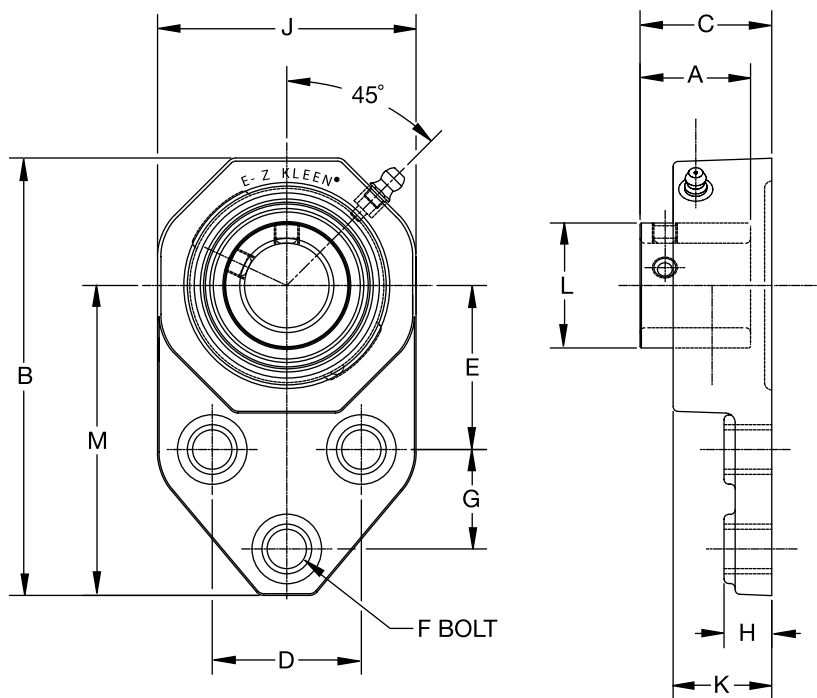
S2000-HD

PART NUMBER INDEX

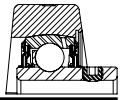


# SELECTION/DIMENSIONS

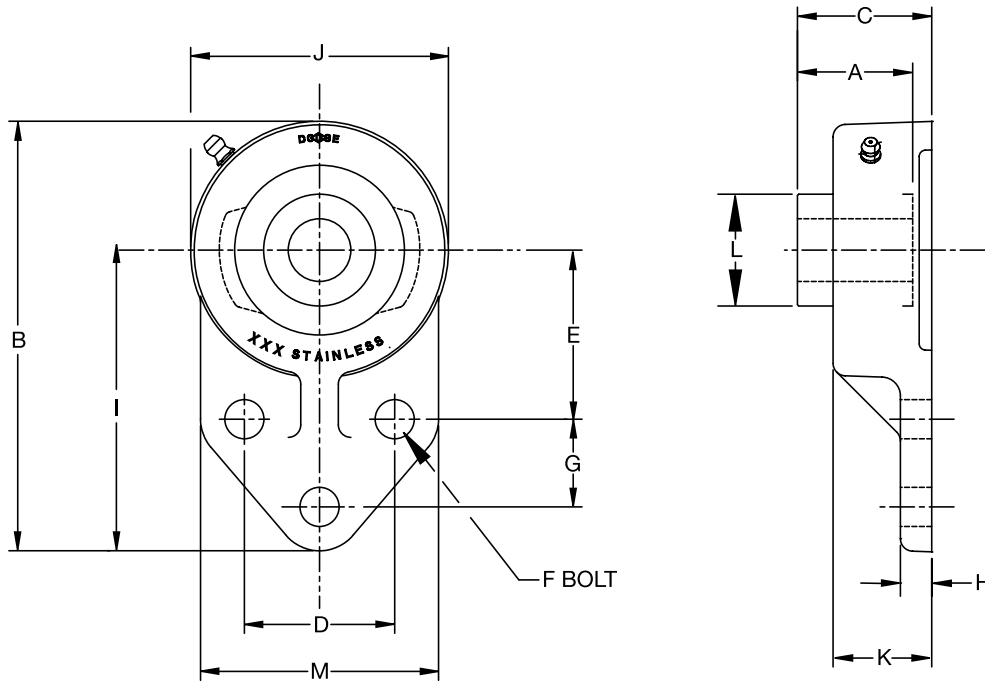
## ULTRA KLEEN Mounted Bearings SCEZ PSS Normal Duty Polymer Housed Flange Bracket



Series	Shaft Size	With Stainless Steel Insert		Weight lbs kg	A	B	C	D	E	F Bolt Dia.	G	H	I	J	K	L
		Part No.	Description													
204	3/4	<b>136719</b>	FB-SCEZ-012-PSS	0.47	1-5/32	4-25/64	1-27/64	1-1/2	1-11/16	3/8	7/8	17/32	3-3/16	2-11/32	1-1/8	1-1/8
	20 mm	<b>136758</b>	FB-SCEZ-20M-PSS	0.23	29.4	111.5	37.3	38.1	42.9	M10	22.2	13.5	81.1	59.4	28.4	28.6
205	1	<b>136720</b>	FB-SCEZ-100-PSS	0.69	1-3/16	4-29/32	1-15/32	1-5/8	1-13/16	3/8	1-1/8	35/64	3-17/32	2-23/32	1-9/64	1-21/64
	25 mm	<b>136759</b>	FB-SCEZ-25M-PSS	0.32	30.2	124.6	40.1	41.3	46.1	M10	28.6	13.9	89.8	69.1	29.0	33.7
206	1-3/16	<b>136721</b>	FB-SCEZ-103-PSS	1.07	1-25/64	5-31/64	1-21/32	1-7/8	2-1/16	3/8	1-1/4	39/64	3-57/64	3-13/64	1-1/4	1-37/64
	1-1/4	<b>136722</b>	FB-SCEZ-104S-PSS	1.05												
	30 mm	<b>136760</b>	FB-SCEZ-30M-PSS	0.48	35.3	139.2	42.9	47.6	52.4	M10	31.8	15.5	98.6	81.3	31.8	40.1
207	1-1/4	<b>136723</b>	FB-SCEZ-104-PSS	1.87	1-17/32	6-7/64	1-51/64	2	2-3/8	1/2	1-1/4	5/8	4-15/64	3-45/64	1-9/32	1-27/32
	1-7/16	<b>136724</b>	FB-SCEZ-107-PSS	1.71												
	35 mm	<b>136761</b>	FB-SCEZ-35M-PSS	0.83	38.9	155.2	46.4	50.8	60.3	M12	31.8	15.9	107.6	94.1	32.5	46.8



**ULTRA KLEEN Mounted Bearings**  
**SCEZ SHSS Normal Duty Stainless Steel Housed Flange Bracket Bearings**



Series	Shaft Size	With Stainless Steel Insert		Weight lbs kgs	A	B	C	D	E	F Bolt Dia	G	H	I	J	K	L	M
		Part No.	Description														
204	3/4	<b>136801</b>	FB-SCEZ-012-SHSS	1.00	1-5/32	4-3/16	1-1/4	1-1/2	1-11/16	25/64	7/8	5/16	3	2-3/8	57/64	1-1/8	2-3/8
	20 mm	<b>136867</b>	FB-SCEZ-20M-SHSS	.45	29.4	106.4	31.6	38.1	42.9	9.9	22.2	8.0	76.2	60.3	22.8	28.6	60.3
205	1	<b>136802</b>	FB-SCEZ-100-SHSS	1.26	1-3/16	4-11/16	1-11/32	1-5/8	1-13/16	25/64	1-1/8	3/8	3-3/8	2-5/8	63/64	1-21/64	2-1/2
	25 mm	<b>136868</b>	FB-SCEZ-25M-SHSS	.52	30.2	119.1	34.2	41.3	46.0	9.9	28.6	9.5	85.7	66.7	25.0	33.7	63.5
206	1-3/16	<b>136803</b>	FB-SCEZ-103-SHSS	1.95	1-25/64	5-5/16	1-9/16	1-7/8	2-1/16	25/64	1-1/4	3/8	3-3/4	3-1/8	1-5/64	1-37/64	2-3/4
	1-1/4	<b>136804</b>	FB-SCEZ-104S-SHSS														
	30 mm	<b>136869</b>	FB-SCEZ-30M-SHSS	.89	36.3	134.9	39.6	47.6	52.4	9.9	31.8	9.5	95.3	79.4	27.6	40.1	69.9
207	1-1/4	<b>136805</b>	FB-SCEZ-104-SHSS	2.87	1-17/32	6	1-3/4	2	2-3/8	33/64	1-1/4	1/2	4-1/4	3-1/2	1-7/32	1-27/32	3-1/4
	1-7/16	<b>136806</b>	FB-SCEZ-107-SHSS														
	35 mm	<b>136870</b>	FB-SCEZ-35M-SHSS	1.3	38.9	152.4	44.5	50.8	60.3	13.1	31.8	12.7	108.0	88.9	31.1	46.8	82.6
210	1-15/16	<b>136808</b>	FB-SCEZ-115-SHSS	4.43	1-3/4	7-11/32	1-61/64	2-3/4	2-15/16	33/64	1-5/8	1/2	5-3/16	4-5/16	1-23/64	2-7/16	4
	2	<b>136992</b>	FB-SCEZ-200-SHSS														
	50mm	<b>136872</b>	FB-SCEZ-50M-SHSS	2.01	44.5	186.5	49.5	69.9	74.6	13.1	41.3	12.7	131.8	109.5	34.4	36.5	101.6

ULTRA KLEEN

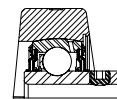
E-Z KLEEN

EXTREME DUTY

IMPERIAL-HD

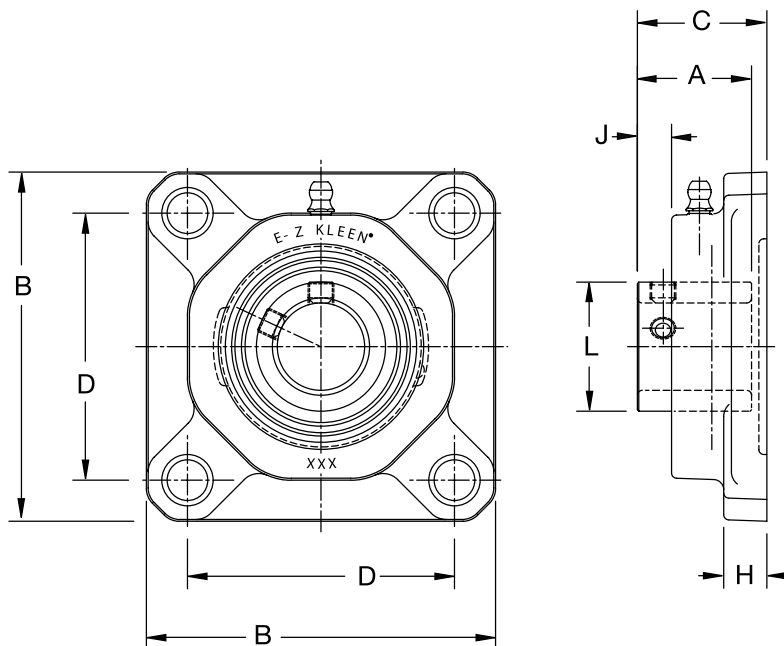
S2000-HD

PART NUMBER INDEX



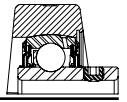
# SELECTION/DIMENSIONS

## ULTRA KLEEN Mounted Bearings SCEZ PSS Normal Duty Polymer Housed 4-Bolt Flange Bearings

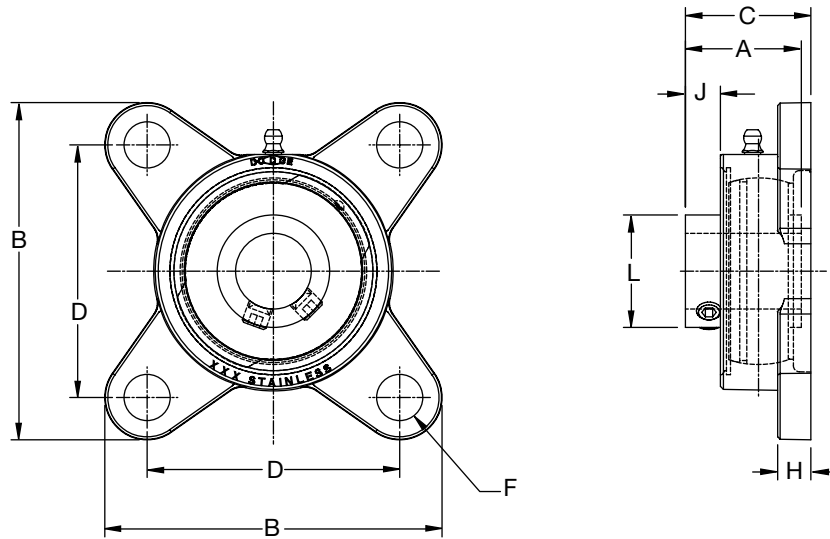


Series	Shaft Size	With Stainless Steel Insert		Weight lbs kg	A	B	C	D	F Bolt Dia.	H	J	L
		Part No.	Description									
204	3/4	<b>136725</b>	F4B-SCEZ-012-PSS	0.55	1-5/32	3-3/8	1-29/64	2-1/2	3/8	17/32	19/64	1-1/8
	20 mm	<b>136762</b>	F4B-SCEZ-20M-PSS	0.27	29.4	85.9	36.8	63.5	M10	13.5	7.6	28.6
205	1	<b>136726</b>	F4B-SCEZ-100-PSS	0.67	1-3/16	3-3/4	1-1/2	2-3/4	3/8	35/64	21/64	1-21/64
	25 mm	<b>136763</b>	F4B-SCEZ-25M-PSS	0.32	30.2	95.3	38.1	70.0	M10	13.9	8.4	33.7
206	1-3/16	<b>136727</b>	F4B-SCEZ-103-PSS	0.86	1-25/64	4-1/4	1-11/16	3-1/4	3/8	39/64	27/64	1-37/64
	1-1/4	<b>136728</b>	F4B-SCEZ-104S-PSS	0.84								
	30 mm	<b>136764</b>	F4B-SCEZ-30M-PSS	0.39	35.3	108.1	42.8	82.5	M10	15.5	10.6	40.1
207	1-1/4	<b>136729</b>	F4B-SCEZ-104-PSS	1.40	1-17/32	4-21/32	1-53/64	3-5/8	1/2	5/8	33/64	1-27/32
	1-7/16	<b>136730</b>	F4B-SCEZ-107-PSS	1.24								
	35 mm	<b>136765</b>	F4B-SCEZ-35M-PSS	0.61	38.9	118.1	46.5	92.0	M12	15.9	13.2	46.8
208	1-1/2	<b>136731</b>	F4B-SCEZ-108-PSS	1.82	1-11/16	5-1/8	2	4	1/2	43/64	33/64	2-3/64
	40 mm	<b>136766</b>	F4B-SCEZ-40M-PSS	0.76	42.9	130.0	50.9	101.5	M12	16.9	13.3	52.0
209	1-11/16	<b>136732</b>	F4B-SCEZ-111-PSS	2.00	1-23/32	5-3/8	2-1/32	4-1/8	9/16	23/32	9/16	2-7/32
	1-3/4	<b>127609</b>	F4B-SCEZ-112-PSS									
	45 mm	<b>136767</b>	F4B-SCEZ-45M-PSS	0.88	43.7	136.7	51.7	105.0	M14	18.2	14.1	56.4
210	1-15/16	<b>136733</b>	F4B-SCEZ-115-PSS	2.12	1-3/4	5-5/8	2-13/64	4-3/8	5/8	49/64	19/32	2-7/16
	2	<b>136988</b>	F4B-SCEZ-200-PSS	2.03								
	50mm	<b>136768</b>	F4B-SCEZ-50M-PSS	0.96	44.5	142.7	56.0	111.0	M16	19.3	15.1	61.9





**ULTRA KLEEN Mounted Bearings**  
**SCEZ SHSS Normal Duty Stainless Steel Housed 4-Bolt Flange Bearings**



Series	Shaft Size	With Stainless Steel Insert		Weight lbs kg	A	B	C	D	F Bolt Dia.	H	J	L
		Part No.	Description									
204	3/4 20 mm	<b>136825</b>	F4B-SCEZ-012-SHSS	1.08	1-5/32	3-11/32	1-1/4	2-1/2	3/8	21/64	11/32	1-1/8
		<b>136885</b>	F4B-SCEZ-20M-SHSS	0.49	29.4	84.9	31.8	63.5	M10	8.3	8.7	28.6
205	1 25 mm	<b>136826</b>	F4B-SCEZ-100-SHSS	1.39	1-3/16	3-3/4	1-11/32	2-3/4	3/8	23/64	3/8	1-21/64
		<b>136886</b>	F4B-SCEZ-25M-SHSS	0.63	30.2	95.3	34.1	69.9	M10	9.1	9.5	33.7
206	1-3/16 1-1/4 30 mm	<b>136827</b>	F4B-SCEZ-103-SHSS	2.09	1-25/64	4-5/32	1-9/16	3-1/4	3/8	23/64	27/64	1-37/64
		<b>136829</b>	F4B-SCEZ-104S-SHSS	2.05								
		<b>136887</b>	F4B-SCEZ-30M-SHSS	0.95	35.3	105.6	39.7	82.6	M10	9.1	10.7	40.1
207	1-1/4 1-7/16 35 mm	<b>136828</b>	F4B-SCEZ-104-SHSS	2.95	1-17/32	4-11/16	1-3/4	3-5/8	1/2	27/64	17/32	1-27/32
		<b>136830</b>	F4B-SCEZ-107-SHSS	2.78								
		<b>136888</b>	F4B-SCEZ-35M-SHSS	1.29	38.9	119.1	44.5	92.1	M12	10.7	13.5	46.8
208	1-1/2 40 mm	<b>136831</b>	F4B-SCEZ-108-SHSS	3.70	1-11/16	5-1/16	1-7/8	4	1/2	27/64	17/32	2-3/64
		<b>136889</b>	F4B-SCEZ-40M-SHSS	1.64	42.9	128.6	47.6	101.6	M12	10.7	13.5	52.0
210	1-15/16 2 50mm	<b>136832</b>	F4B-SCEZ-115-SHSS	4.60	1-3/4	5-43/64	1-61/64	4-3/8	5/8	31/64	19/32	2-7/16
		<b>136993</b>	F4B-SCEZ-200-SHSS	4.56								
		<b>136890</b>	F4B-SCEZ-50M-SHSS	2.07	44.5	144.1	49.6	111.1	M16	12.3	15.1	61.9

ULTRA KLEEN

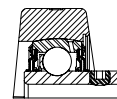
E-Z KLEEN

EXTREME DUTY

IMPERIAL-HD

S2000-HD

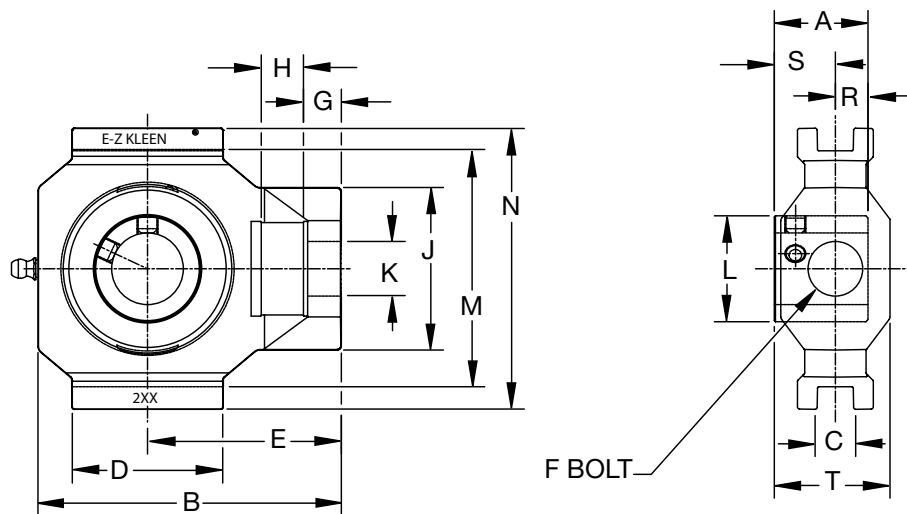
PART NUMBER INDEX



## SELECTION/DIMENSIONS

### ULTRA KLEEN Mounted Bearings

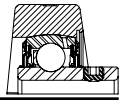
### SCEZ PSS Normal Duty Polymer Housed Wide Slot Take-Up Bearings



Series	Shaft Size	With Stainless Steel Insert		Weight lbs kg	Take-Up Frame No. Ref.	A	B	C**	D	E	F Thd Shaft	G
		Part No.	Description									
204	3/4 20 mm	<b>136734</b>	WSTU-SCEZ-012-PSS	0.66	WS300	1-5/32	3-13/16	17/32	2	2-1/2	5/8	1/2
		<b>136769</b>	WSTU-SCEZ-20M-PSS	0.31		29.4	96.8	13.5	50.8	63.5	15.9	12.7
205	1 25 mm	<b>136735</b>	WSTU-SCEZ-100-PSS	0.72	WS300	1-3/16	3-15/16	17/32	2	2-9/16	5/8	1/2
		<b>136770</b>	WSTU-SCEZ-25M-PSS	0.34		30.2	100.0	13.5	50.8	65.1	15.9	12.7
206	1-3/16	<b>136736</b>	WSTU-SCEZ-103-PSS	1.07	WS308	1-25/64	4-1/2	17/32	2-1/4	2-7/8	3/4	1/2
	1-1/4	<b>136737</b>	WSTU-SCEZ-104S-PSS									
	30 mm	<b>136771</b>	WSTU-SCEZ-30M-PSS									
207	1-1/4	<b>136738</b>	WSTU-SCEZ-104-PSS	1.58	WS308	1-17/32	4-15/16	17/32	2-1/4	3-1/8	3/4	1/2
	1-7/16	<b>136739</b>	WSTU-SCEZ-107-PSS									
	35 mm	<b>136772</b>	WSTU-SCEZ-35M-PSS									

Series	Shaft Size	With Stainless Steel Insert		H	J	K	L	M**	N	R	S	T
		Part No.	Description									
204	3/4 20 mm	<b>136734</b>	WSTU-SCEZ-012-PSS	5/8	2-3/32	1-9/64	1-1/8	3	3-5/8	27/64	47/64	1-3/8
		<b>136769</b>	WSTU-SCEZ-20M-PSS	15.9	53.2	29.0	28.6	76.2	92.1	10.7	18.7	35.1
205	1 25 mm	<b>136735</b>	WSTU-SCEZ-100-PSS	5/8	2-1/8	1-9/64	1-21/64	3	3-5/8	27/64	49/64	1-3/8
		<b>136770</b>	WSTU-SCEZ-25M-PSS	15.9	54.0	29.0	33.7	76.2	92.1	10.7	19.4	35.1
206	1-3/16	<b>136736</b>	WSTU-SCEZ-103-PSS	5/8	2-3/8	1-3/8	1-37/64	3-1/2	4-1/4	31/64	29/32	1-5/8
	1-1/4	<b>136737</b>	WSTU-SCEZ-104S-PSS									
	30 mm	<b>136771</b>	WSTU-SCEZ-30M-PSS									
207	1-1/4	<b>136738</b>	WSTU-SCEZ-104-PSS	5/8	2-27/64	1-3/8	1-27/32	3-1/2	4-1/4	32/64	1-1/32	1-5/8
	1-7/16	<b>136739</b>	WSTU-SCEZ-107-PSS									
	35 mm	<b>136772</b>	WSTU-SCEZ-35M-PSS									

\*\* + or - .020"      + or - .50 mm



ULTRA KLEEN

E-Z KLEEN

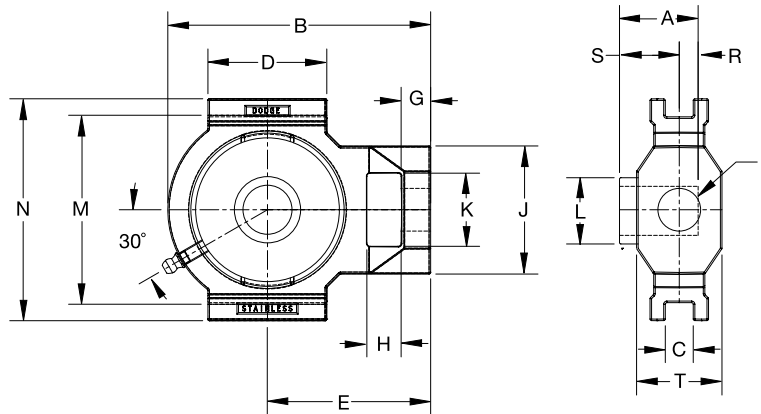
EXTREME DUTY

IMPERIAL-HD

S2000-HD

PART NUMBER INDEX

**ULTRA KLEEN Mounted Bearings**  
**SCEZ SHSS Normal Duty Stainless Steel Housed Wide Slot Take-Up Bearings**

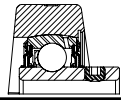


Series	Shaft Size	Standard		Weight lbs. kg	Take-Up Frame No. Ref.	A	B	C*	D	E	F Screw Dia	G	
		Part No.	Description										
204	3/4 20mm	<b>136841</b>	WSTU-SCEZ-012-SHSS	2.14	WS300	1-5/32	3-31/32	17/32	2-13/64	2-9/16	45/64	9/16	
		<b>136897</b>	WSTU-SCEZ-20M-SHSS	.97		29.2	100.8	13.5	55.9	65	18.0	14.2	
205	1 25mm	<b>136842</b>	WSTU-SCEZ-100-SHSS	2.03	WS300	1-21/64	3-31/32	17/32	2-7/32	2-9/16	45/64	9/16	
		<b>136898</b>	WSTU-SCEZ-25M-SHSS	.92		33.6	100.8	13.5	55.9	65.0	18.0	14.2	
206	1-3/16 1-1/4 30mm	<b>136843</b>	WSTU-SCEZ-103-SHSS	3.36	WS308	1-25/64	5	17/32	2-17/64	2-3/32	13/16	9/16	
		<b>136844</b>	WSTU-SCEZ-104S-SHSS										
		<b>136899</b>	WSTU-SCEZ-30M-SHSS	1.52		35.3	126.8	13.5	57.4	78.6	20.6	14.2	
207	1-1/4 1-7/16 35mm	<b>136845</b>	WSTU-SCEZ-104-SHSS	3.21	WS308	1-17/32	4-63/64	17/32	2-17/64	3-3/32	13/16	9/16	
		<b>136846</b>	WSTU-SCEZ-107-SHSS										
		<b>136900</b>	WSTU-SCEZ-35M-SHSS	1.46		39.0	126.8	13.5	57.4	78.6	20.6	14.2	
208	1-1/2 40mm	<b>136847</b>	WSTU-SCEZ-108-SHSS	4.52	WS400	1-11/16	5-5/8	11/16	3-1/4	3-1/2	1-1/8	5/8	
		<b>136901</b>	WSTU-SCEZ-40M-SHSS	2.1		42.7	142.9	17.5	82.6	88.9	25.6	15.9	
210	1-15/16 2 50mm	<b>136848</b>	WSTU-SCEZ-115-SHSS	4.03	WS400	1-3/4	5-5/8	11/16	3-1/4	3-1/2	1-1/8	5/8	
		<b>136995</b>	WSTU-SCEZ-200-SHSS										
		<b>136902</b>	WSTU-SCEZ-50M-SHSS	1.83		44.3	142.9	17.5	82.6	88.9	28.6	15.9	

\*+/- .015" +/- .38mm #+.010", -.020" +.25mm, -.50mm

Series	Shaft Size	Standard		H	J	K	L	M#	N	R	S	T
		Part No.	Description									
204	3/4 20mm	<b>136841</b>	WSTU-SCEZ-012-SHSS	21/32	2-1/8	1-9/64	1-7/64	3	3-5/8	27/64	23/32	1-3/8
		<b>136897</b>	WSTU-SCEZ-20M-SHSS	16.5	53.9	29.1	28.3	76.5	92.2	10.8	18.4	35.1
205	1 25mm	<b>136842</b>	WSTU-SCEZ-100-SHSS	21/32	2-1/8	1-9/64	1-21/64	3	3-5/8	9/16	49/64	1-3/8
		<b>136898</b>	WSTU-SCEZ-25M-SHSS	16.5	53.9	29.1	33.6	76.5	92.2	14.3	19.3	35.1
206	1-3/16 1-1/4 30mm	<b>136843</b>	WSTU-SCEZ-103-SHSS	21/32	2-7/16	1-25/64	1-37/64	3-17/32	4-13/64	31/64	29/32	1-5/8
		<b>136844</b>	WSTU-SCEZ-104S-SHSS									
		<b>136899</b>	WSTU-SCEZ-30M-SHSS	16.5	61.7	35.2	39.9	89.5	106.7	12.3	23.0	41.2
207	1-1/4 1-7/16 35mm	<b>136845</b>	WSTU-SCEZ-104-SHSS	21/32	2-7/16	1-25/64	1-27/32	3-17/32	4-13/64	1/2	1-1/32	1-5/8
		<b>136846</b>	WSTU-SCEZ-107-SHSS									
		<b>136900</b>	WSTU-SCEZ-35M-SHSS	16.5	61.7	35.2	46.8	89.5	106.7	12.8	26.2	41.2
208	1-1/2 40mm	<b>136847</b>	WSTU-SCEZ-108-SHSS	3/4	2-3/4	1-15/16	2-3/64	4	4-1/2	19/32	1-3/32	1-5/8
		<b>136901</b>	WSTU-SCEZ-40M-SHSS	19.1	69.9	49.2	52.1	101.6	114.3	14.9	27.8	41.2
210	1-15/16 2 50mm	<b>136848</b>	WSTU-SCEZ-115-SHSS	3/4	2-3/4	1-15/16	2-27/64	4	4-1/2	19/32	1-5/32	1-5/8
		<b>136995</b>	WSTU-SCEZ-200-SHSS									
		<b>136902</b>	WSTU-SCEZ-50M-SHSS	19.1	69.9	49.2	61.7	101.6	114.3	14.9	29.4	41.2

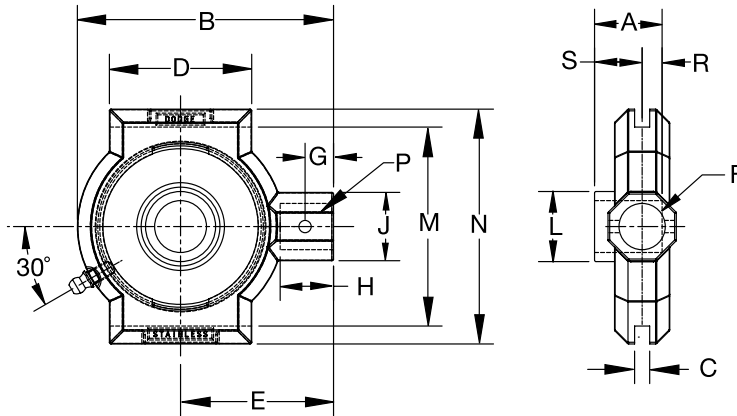
\*+/- .015" +/- .38mm #+.010", -.020" +.25mm, -.50mm



# SELECTION/DIMENSIONS

## ULTRA KLEEN Mounted Bearings

### SCEZ SHSS Normal Duty Stainless Steel Housed Narrow Slot Take-Up Bearings

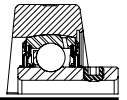


Series	Shaft Size	Standard		Weight lbs. kg	Take-Up Frame No. Ref.	A	B	C*	D	E	F Screw Dia	G
		Part No.	Description									
204	3/4 20mm	<b>136833</b>	NSTU-SCEZ-012-SHSS	1.16	NS210	1-7/64	3-31/64	17/64	1-1/2	2-3/16	13/16	7/16
		<b>136891</b>	NSTU-SCEZ-20M-SHSS	.53		28.3	88.6	6.7	38.1	55.6	20.6	11.1
205	1 25mm	<b>136834</b>	NSTU-SCEZ-100-SHSS	1.06	NS210	1-3/16	3-31/64	17/64	1-1/2	2-3/16	13/16	7/16
		<b>136892</b>	NSTU-SCEZ-25M-SHSS	.48		30.1	88.6	6.7	38.1	55.6	20.6	11.1
206	1-3/16	<b>136835</b>	NSTU-SCEZ-103-SHSS	2.51	NS308	1-25/64	4-1/2	17/64	2-1/2	2-11/16	15/16	1/2
	1-1/4	<b>136836</b>	NSTU-SCEZ-104S-SHSS	1.14		35.3	114.3	6.7	63.5	68.3	20.6	12.7
	30mm	<b>136893</b>	NSTU-SCEZ-30M-SHSS									
207	1-1/4	<b>136837</b>	NSTU-SCEZ-104-SHSS	2.65	NS308	1-17/32	4-1/2	17/64	2-1/2	2-11/16	13/16	1/2
	1-7/16	<b>136838</b>	NSTU-SCEZ-107-SHSS	1.20		39.0	114.3	6.7	63.5	68.3	20.6	12.7
	35mm	<b>136894</b>	NSTU-SCEZ-35M-SHSS									
208	1-1/2 40mm	<b>136839</b>	NSTU-SCEZ-108-SHSS	4.08	NS400	1-11/16	5-3/8	21/64	3	3-1/4	15/16	21/32
		<b>136895</b>	NSTU-SCEZ-40M-SHSS	1.85		42.7	136.5	8.3	76.2	82.6	23.8	16.7
210	1-15/16	<b>136840</b>	NSTU-SCEZ-115-SHSS	3.79	NS400	1-3/4	5-1/2	21/64	3	3-1/4	15/16	21/32
	2 50mm	<b>136994</b>	NSTU-SCEZ-200-SHSS	1.72		44.3	139.7	8.3	76.2	82.6	23.8	16.7
		<b>136896</b>	NSTU-SCEZ-50M-SHSS									

\*+/- .015" +/- .38mm #+.010", -.020" +.25mm, -.50mm

Series	Shaft Size	Standard		H	J	L	M #	N	Pin Dia	R	S
		Part No.	Description								
204	3/4 20mm	<b>136833</b>	NSTU-SCEZ-012-SHSS	7/8	1-1/8	1-7/64	2-5/8	3-1/8	5/16	7/16	49/64
		<b>136891</b>	NSTU-SCEZ-20M-SHSS	22.2	30.5	28.3	66.6	79.4	8.0	11	19.3
205	1 25mm	<b>136834</b>	NSTU-SCEZ-100-SHSS	7/8	1-1/8	1-21/64	2-5/8	3-1/8	5/16	27/64	49/64
		<b>136892</b>	NSTU-SCEZ-25M-SHSS	22.2	30.5	33.6	66.5	79.4	8.0	10.8	19.3
206	1-3/16	<b>136835</b>	NSTU-SCEZ-103-SHSS	15/16	1-1/8	1-37/64	3-1/2	4-1/8	5/16	31/64	29/32
	1-1/4	<b>136836</b>	NSTU-SCEZ-104S-SHSS	23.8	30.5	39.9	88.8	104.8	8.0	12.3	23.0
	30mm	<b>136893</b>	NSTU-SCEZ-30M-SHSS								
207	1-1/4	<b>136837</b>	NSTU-SCEZ-104-SHSS	15/16	1-1/8	1-27/32	3-1/2	4-1/8	5/16	1/2	1-1/32
	1-7/16	<b>136838</b>	NSTU-SCEZ-107-SHSS	23.8	30.5	46.8	88.8	104.8	8.0	12.8	26.2
	35mm	<b>136894</b>	NSTU-SCEZ-35M-SHSS								
208	1-1/2 40mm	<b>136839</b>	NSTU-SCEZ-108-SHSS	1-5/32	1-1/2	2-3/64	4	4-3/4	3/8	19/32	1-1/32
		<b>136895</b>	NSTU-SCEZ-40M-SHSS	29.4	38.1	52.1	101.6	120.7	9.6	14.9	27.8
210	1-15/16	<b>136840</b>	NSTU-SCEZ-115-SHSS	1-5/32	1-1/2	2-27/64	4	4-3/4	3/8	19/32	1-5/32
	2 50mm	<b>136994</b>	NSTU-SCEZ-200-SHSS	29.4	38.1	61.7	101.6	120.7	9.6	14.9	29.4
		<b>136896</b>	NSTU-SCEZ-50M-SHSS								

\*+/- .015" +/- .38mm #+.010", -.020" +.25mm, -.50mm



ULTRA KLEEN

E-Z KLEEN

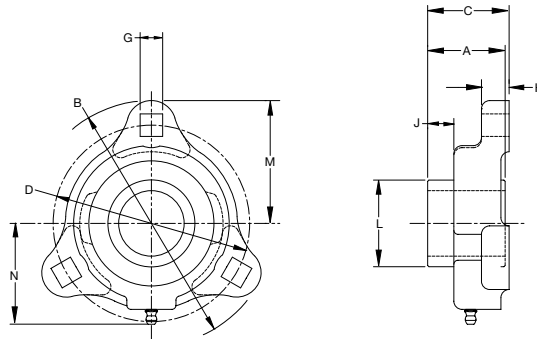
EXTREME DUTY

IMPERIAL-HD

S2000-HD

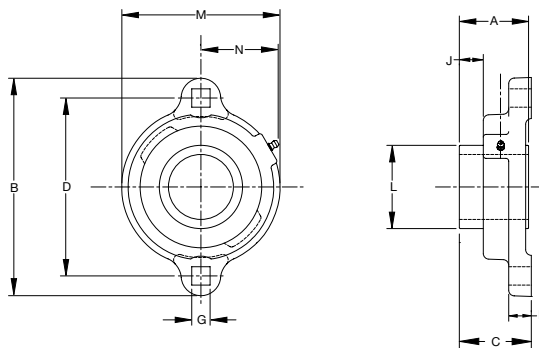
PART NUMBER INDEX

**ULTRA KLEEN Mounted Bearings**  
**SCEZ SHSS Normal Duty Stainless Steel Housed 3-Bolt Flange Bearings**

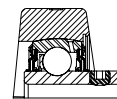


Series	Shaft Size	Standard		Weight lbs kg	A	B	C	D	G	H	J	L	M	N
		Part No.	Description											
204	3/4 20 mm	<b>136809</b>	LF-SCEZ-012-SHSS	.64	1-5/32	3-9/16	1-7/32	2-13/16	11/32	27/64	3/8	1-1/8	1-25/32	1-35/64
		<b>136873</b>	LF-SCEZ-20M-SHSS	.29	29.4	90.5	30.8	71.4	8.7	10.7	9.4	28.6	45.3	39.3
205	1 25 mm	<b>136810</b>	LF-SCEZ-100-SHSS	.80	1-3/16	3-3/4	1-1/4	3	11/32	27/64	3/8	1-21/64	1-7/8	1-43/64
		<b>136874</b>	LF-SCEZ-25M-SHSS	.36	30.2	95.3	31.7	76.2	8.7	10.7	9.5	33.7	47.7	42.4
206	1-3/16	<b>136811</b>	LF-SCEZ-103-SHSS	1.09	1-25/64	4-7/16	1-15/32	3-9/16	13/32	15/32	15/32	1-37/64	2-7/32	1-63/64
	1-1/4	<b>136812</b>	LF-SCEZ-104S-SHSS											
	30 mm	<b>136875</b>	LF-SCEZ-30M-SHSS	.54	35.3	112.7	37.1	90.5	10.3	11.9	12.1	40.1	56.4	50.4
207	1-1/4	<b>136813</b>	LF-SCEZ-104-SHSS	1.73	1-17/32	4-13/16	1-19/32	3-15/16	13/32	1/2	17/32	1-27/32	2-13/64	2-3/32
	1-7/16	<b>136814</b>	LF-SCEZ-107-SHSS											
	35 mm	<b>136876</b>	LF-SCEZ-35M-SHSS	.79	38.9	122.2	40.6	100.0	10.3	12.7	13.6	46.8	61.1	53.1

**SCEZ SHSS Normal Duty Stainless Steel Housed 2-Bolt Flange Bearings**

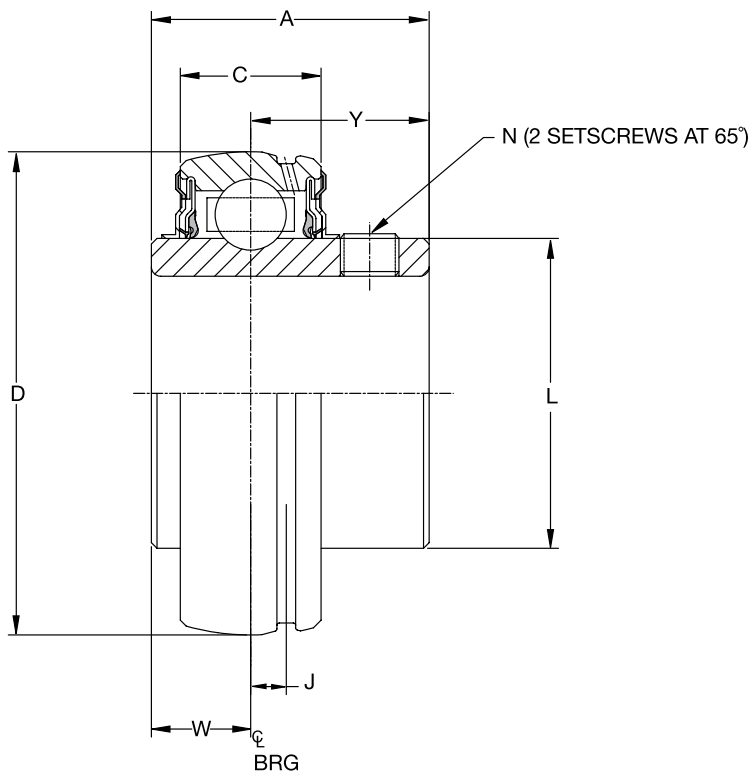


Series	Shaft Size	Standard		Weight lbs kg	A	B	C	D	G	H	J	L	M	N
		Part No.	Description											
204	3/4 20 mm	<b>136817</b>	LFT-SCEZ-012-SHSS	.68	1-5/32	3-9/16	1-7/32	2-13/16	11/32	27/64	3/8	1-1/8	2-3/8	1-11/32
		<b>136879</b>	LFT-SCEZ-20M-SHSS	.31	29.4	90.5	30.8	71.5	8.7	10.7	9.4	28.6	60.4	34.1
205	1 25 mm	<b>136818</b>	LFT-SCEZ-100-SHSS	.84	1-3/16	3-3/4	1-1/4	3	11/32	27/64	3/8	1-21/64	2-5/8	1-7/16
		<b>136880</b>	LFT-SCEZ-25M-SHSS	.38	30.2	95.3	31.7	76	8.7	10.7	9.5	33.7	66.6	36.5
206	1-3/16	<b>136819</b>	LFT-SCEZ-103-SHSS	1.88	1-25/64	4-7/16	1-15/32	3-9/16	13/32	15/32	15/32	1-37/64	3-1/4	1-23/32
	1-1/4	<b>136820</b>	LFT-SCEZ-104S-SHSS											
	30 mm	<b>136881</b>	LFT-SCEZ-30M-SHSS	.85	35.3	112.7	37.1	90.5	10.3	11.9	12.1	40.1	82.6	43.7
207	1-1/4	<b>136821</b>	LFT-SCEZ-104-SHSS	1.77	1-17/32	4-13/16	1-19/32	3-15/16	13/32	1/2	17/32	1-27/32	3-1/2	1-53/64
	1-7/16	<b>136822</b>	LFT-SCEZ-107-SHSS											
	35 mm	<b>136882</b>	LFT-SCEZ-35M-SHSS	.80	38.9	122.2	40.6	100.0	10.3	12.7	13.6	46.8	89.0	46.4

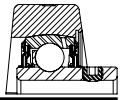


# SELECTION/DIMENSIONS

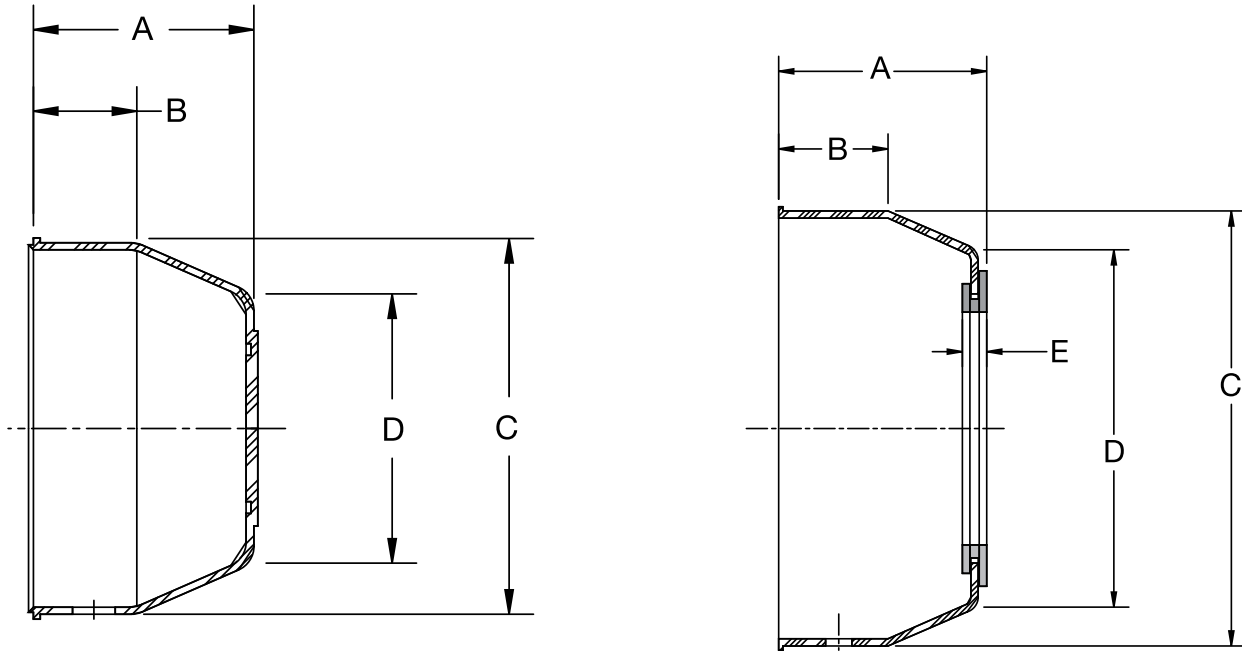
## ULTRA KLEEN Mounted Bearings SC Normal Duty Bearing Stainless Steel Inserts For Ultra Kleen Bearings



Series	Shaft Size	Stainless Steel Insert		Weight lbs kg	A	C	D	J	L	N	W	Y
		Part No.	Description									
204	3/4 20 mm	<b>127818</b>	INS-SC-012-SS	.32	1-5/32	.5906	1.8504	.152	1-1/8	10-32	27/64	47/64
		<b>127861</b>	INS-SC-20M-SS	.16	29.4	15.0	47.0	3.9	28.6	M6 x 1	10.7	18.7
205	1 25 mm	<b>127819</b>	INS-SC-100-SS	.37	1-3/16	.5906	2.0472	.152	1-21/64	¼-28	27/64	49/64
		<b>127862</b>	INS-SC-25M-SS	.18	30.2	15.0	52.0	3.9	33.7	M6 x 1	10.7	19.4
206	1-3/16	<b>127820</b>	INS-SC-103-SS	.60	1-25/64	.7087	2.4409	.190	1-37/64	5/16-24	31/64	29/32
	1-1/4	<b>127821</b>	INS-SC-104S-SS	.58								
	30 mm	<b>127863</b>	INS-SC-30M-SS	.27	35.3	18.0	62.0	4.8	40.1	M8 x 1.25	12.3	23.0
207	1-1/4	<b>127822</b>	INS-SC-104-SS	1.02	1-17/32	.7480	2.8346	.202	1-27/32	5/16-24	1/2	1-1/32
	1-7/16	<b>127823</b>	INS-SC-107-SS	.86								
	35 mm	<b>127864</b>	INS-SC-35M-SS	.44	38.9	19.0	72.0	5.1	46.8	M8 x 1.25	12.7	26.2
208	1-1/2	<b>127824</b>	INS-SC-108-SS	1.27	1-11/16	.8661	3.1496	.224	2-3/64	5/16-24	19/32	1-3/32
	40 mm	<b>127865</b>	INS-SC-40M-SS	.51	42.9	22.0	80.0	5.7	52.0	M8 x 1.25	15.1	27.8
209	1-11/16	<b>127825</b>	INS-SC-111-SS	1.43	1-23/32	.8661	3.3465	.248	2-7/32	5/16-24	19/32	1-1/8
	1-3/4	<b>127804</b>	INS-SC-112-SS	1.43								
	45 mm	<b>127866</b>	INS-SC-45M-SS	.62	43.7	22.0	85.0	6.3	56.4	M8 x 1.25	15.1	28.6
210	1-15/16	<b>127826</b>	INS-SC-115-SS	1.48	1-3/4	.8661	3.5433	.248	2-7/16	3/8-24	19/32	1-5/32
	2 50 mm	<b>127808</b> <b>127867</b>	INS-SC-200-SS INS-SC-50M-SS	1.39 .67								



**E-Z KLEEN/ULTRA KLEEN Mounted Bearings**  
**Polymer and Stainless Steel Housed Mounted Bearings**  
**End Closures**



Series	For Shaft Size	Closed End Closure Part Number	Description	A	B	C	D	Open End Closure Part Number	Description	A	B	C	D	E
204	3/4	128960	ECC-EZ-204	1-1/8	17/32	1-29/32	1-3/8	128974	ECO-EZ-012	1-3/16	17/32	1-29/32	1-3/8	3/16
	20mm			28.7	13.5	48.4	35.1	128991	ECO-EZ-20M	30.2	13.5	48.4	35.1	4.9
205	1	128961	ECC-EZ-205	3/16	17/32	2-11/64	1-39/64	128975	ECO-EZ-100	1-1/4	17/32	2-11/64	1-39/64	3/16
	25mm			30.2	13.5	55.1	40.9	128992	ECO-EZ-25M	35.3	14.2	63.5	50.0	4.9
206	1-3/16	128962	ECC-EZ-206	1-21/64	9/16	2-1/2	31/32	128976	ECO-EZ-103	1-25/64	9/16	2-1/2	31/32	3/16
	1-1/4			33.8	14.2	63.5	50.0	128989	ECO-EZ-104S	35.3	14.2	63.5	50.0	4.9
	30mm			35.3	14.2	63.5	50.0	128993	ECO-EZ-30M	35.3	14.2	63.5	50.0	4.9
207	1-1/4	128963	ECC-EZ-207	1-15/32	11/16	2-29/32	2-5/16	128977	ECO-EZ-104	1-17/32	11/16	2-29/32	2-5/16	3/16
	1-7/16			37.3	17.5	73.9	58.9	128990	ECO-EZ-107	38.9	17.5	73.9	58.9	4.9
	35mm			38.9	17.5	73.9	58.9	128994	ECO-EZ-35M	38.9	17.5	73.9	58.9	4.9
208	1-1/2	128964	ECC-EZ-208	1-35/64	11/16	3-5/16	2-49/64	128978	ECO-EZ-108	1-19/32	11/16	3-5/16	2-49/64	13/64
	40mm			39.1	17.5	84.1	70.1	128996	ECO-EZ-40M	40.6	17.5	84.1	70.1	5.1
209	1-11/16	128965	ECC-EZ-209	1-19/32	23/32	3-1/2	2-7/8	@	ECO-EZ-111	1-21/32	23/32	3-1/2	2-7/8	13/64
	1-3/4			40.4	18.3	88.9	72.9	@	ECO-EZ-45M	41.9	18.3	88.9	72.9	5.1
210	1-15/16	128966	ECC-EZ-210	1-21/32	29/32	3-5/8	3	128980	ECO-EZ-115	1-23/32	29/32	3-5/8	3	13/64
	50mm			42.2	23.1	91.4	76.2	128997	ECO-EZ-50M	43.7	23.1	91.4	76.2	5.1

@ Made to order

ULTRA KLEEN

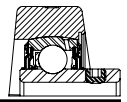
E-Z KLEEN

EXTREME DUTY

IMPERIAL-HD

S2000-HD

PART NUMBER INDEX



## FEATURES/BENEFITS

### E-Z KLEEN

#### Polymer and Stainless Steel Housed Mounted Bearings

Our goal at DODGE is to create the world's most successful customer. We do that by listening and responding to our customers' needs. Customers in the food and beverage processing industry told us they needed new and improved products that help make their industry safer - products that help in the fight against contamination from bacteria such as E. coli, salmonella, and staphylococcus aureus.

DODGE delivered by expanding our high performance E-Z KLEEN line with this new, improved generation of E-Z KLEEN engineered polymer housed ball and sleeve bearings and stainless steel housed ball bearings.

#### STAINLESS HOUSING



- 300 Series Stainless Steel

#### POPULAR HOUSING STYLES

Polymer	Stainless Steel
• Pillow blocks	• Pillow blocks
• Tapped-base pillow blocks	• Tapped-base pillow blocks
• 2 and 4 bolt flange bearings	• Flange brackets
• Flange brackets	• Wide and narrow slot take-up bearings
• Wide slot take-up bearings	• 2 and 3 bolt light duty flange
	• 2 and 4 bolt flange bearings



DODGE E-Z KLEEN with solid-base housing

Competitive bearing with cavities and fillings that can trap bacteria



#### RUGGED, SOLID-BASE HOUSING

- Manufactured with no cavities and no fillings -no traps for bacteria
- Features anti-microbial polymer that helps prevent bacterial and fungal growth (polymer housing)
- Housing strength exceeds static capacity of bearing
- Designed with stainless steel lube fittings and stainless steel ferrules in bolt holes (polymer housed)
- 316 Series stainless steel housing also available
- For no relube (NL) remove the lube fitting and install the polymer plug that is shipped with each bearing
- Retains dimensional stability in harsh environments
- No flaking or peeling, even after repeated washdowns
- Provides excellent chemical resistance
- Available with either open or closed end closures
- FDA/USDA compliant

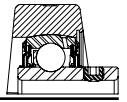


- End covers available on both polymer and stainless housings

#### RESULTS OF HOUSING ANTI-MICROBIAL ACTIVITY AGAINST TEST ORGANISMS

Test Organism	Type of Organism	Growth-Free Zone (MM)	Contct Inhibition (%)
Staphylococcus aureus	Bacterial	0	100
Aspergillus niger	Fungal	0	100





**E-Z KLEEN  
QuadGuard Sealing System**

For over 125 years, the DODGE brand has been synonymous with the best the industry has to offer. Bearing users in the food and beverage industry recognize that with DODGE they have access to the best selection of the highest quality mounted ball bearings available in the market.

The DODGE E-Z KLEEN and ULTRA KLEEN bearings for the food and beverage industry offer an array of features that provide extended life in these challenging conditions. DODGE has the only bearings in the industry to offer a patented triple-lip seal with a rubberized flinger called the QuadGuard™ sealing system. These units also include an exclusive ball retainer called the Maxlife™ cage that helps retain lubrication and prevents washout in wet environments.

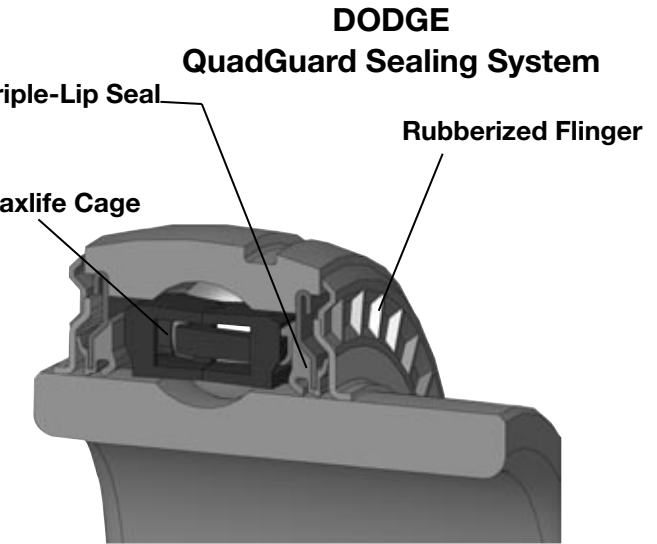
Combine these features with the a complete line of polymer and stainless housing offerings, concentric and adapter mounting options, and a world class manufacturing facility in Rogersville, Tennessee, and you have a family of mounted ball bearing products that are unsurpassed in the industry.

**THREE SHAFT LOCKING SYSTEMS FROM STOCK**

- SC - Two stainless-steel setscrews set 65 apart
- D-LOK - Corrosion resistant concentric collar
- GT-GRIP TIGHT

The QuadGuard seal consists of two patented features that are unique to DODGE bearings and are standard on the E-Z KLEEN and ULTRA KLEEN product.

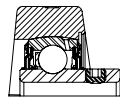
- **Triple-lip seal**
  - Patented design
  - Mechanically retained seal with two contact points on the inner ring and one that rides against flinger surface
  - Three points of contact guard against contamination and keep in lubricants
  - Maximizes sealing with minimal increase in drag compared to a single lip design



**CORROSION-RESISTANT BALL BEARING INSERTS**

<ul style="list-style-type: none"> <li>• New QuadGuard sealing system with stainless triple-lip seal and rubberized flinger</li> <li>• Corrosion-resistant inner and outer ring</li> <li>• Stainless steel balls and lube fitting</li> <li>• Stainless steel setscrews (SC) and stainless steel capscrew (DLOK)</li> </ul>	<ul style="list-style-type: none"> <li>• 100% Filled with H1, food grade grease</li> <li>• Relubricable</li> <li>• Anti-rotation pin</li> <li>• Patented Maxlife cage extends grease life</li> <li>• Offered in inch and metric sizes</li> <li>• Temperature range -20° to +225° F</li> </ul>
--	---

- **Rubberized flinger**
  - Industry’s first and only patented design
  - Molded rubber provides additional protection from contaminants entering the bearing
  - Baffle design of the rubber on the external surface of the flinger enhances the removal of liquid as it rotates
  - Extended rubber baffle outer diameter increases centrifugal acceleration to discard moisture and contamination away from bearing
  - Grease chambers on the internal surface prevent lubricants from exiting the bearing
  - Superior design increases service life in dirty environments thus leading to extended uptime



## FEATURES/BENEFITS

### E-Z KLEEN

#### Corrosion Resistant Coating

The DODGE E-Z KLEEN ball bearing uses a patented, corrosion resistant coating that is superior to any coated product in the market.

- QuadGuard sealing system
- Maxlife cage
- Corrosion resistant insert has a patented nickel alloy Teflon composite coating
- Offered in setscrew (SC), concentric (D-LOK), and adapter mount (GRIP TIGHT) locking mechanisms
- Available in polymer and stainless housings

The DODGE E-Z KLEEN corrosion resistant (CR) insert outperforms other coatings on the market today such as black oxide, zinc and thin dense chrome (TDC).

Tests have shown that the DODGE CR insert exhibited 300% longer bearing life than a typical TDC coated insert. The CR insert load capacity is not de-rated as compared to stainless inserts.

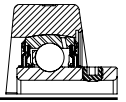
DODGE offers the CR insert in three patented locking mechanisms.

- Setscrew (SC)
  - 65° stainless set screws provide superior holding force without compromising the strength of the inner ring
  - Stainless anti-rotation pin to prevent insert from rotating in the housing
- Concentric (D-LOK)
  - Concentric locking accomplished with the use of a locking collar and slotted inner ring
  - Eliminates damage to stainless shafting caused by set screws
  - Reduced vibration as compared to set screws
- Adapter Mount (GRIP TIGHT)
  - DODGE-only patented thin wall adapter mount
  - Push/pull adapter mount system provides easy on/easy off installation and removal
  - Built-in bearing puller reduces the time associated with removing bearings from shaft
  - Adapter mount does not damage stainless shafting
  - Interchangeable adapters reduce inventory

#### 24 Hour Salt Fog Test Results

DODGE E-Z KLEEN Corrosion Resistant Insert –  
No corrosion after testing





**E-Z KLEEN  
Maxlife Cage**

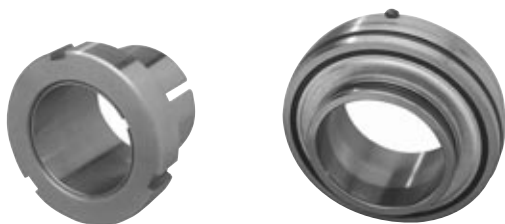
The Maxlife cage is the product of extensive research and development in retainer technology and industry leading engineering.

- Two-piece design that creates a grease compartment around each of the rolling elements
- Compartments provide constant contact between balls and grease so an oil film will always exist to prevent wear and minimize friction and heat
- Relative motion between the components and the grease is reduced which results in lower operating temperatures and extended life
- Compartmental construction of the cage holds in the grease and prevents it from being washed out in extremely wet conditions
- Exclusive design extends life with less frequency of re-lubrication than standard designs
- Included in both E-Z KLEEN and ULTRA KLEEN products



**D-LOK DL**

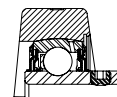
Dodge E-Z KLEEN bearings are available with the D-LOK concentric locking device that provides easy installation and 360° contact with the shaft.



**GRIP-TIGHT LOCKING SYSTEM**

Full Contact on shaft for better grip, less vibration.

Setscrew locking can distort the inner ring and cause system-induced vibration. But with the DODGE GRIP-TIGHT Adapter, the adapter attaches itself to the shaft for full concentric contact - 360° through the length of the bearing. E-Z KLEEN and GRIP-TIGHT use stainless steel adapter sleeve and nut and provides easy-on and easy-off installation and removal.



# FEATURES/BENEFITS

## EZ KLEEN-SC, DL, GT ULTRA KLEEN-SC

EZ Kleen-SC, DL, GT Ultra Kleen-SC	End-Cover Capability		Sealing		Retainer
	End-Cover Groove	Snap-On End Cover	Triple-Lip Seal	Stainless Rubberized Flinger	Maxlife Cage
Standard Features	X	X	X	X	X

Housing Capability Stainless							
Housing Style	204	205	206	207	208	209	210
P2B	X	X	X	X	X		X
F2B	X	X	X	X	X		X
F4B	X	X	X	X	X		X
FB	X	X	X	X			X
TB	X	X	X	X	X		X
NSTU	X	X	X	X	X		X
WSTU	X	X	X	X	X		X
LF	X	X	X	X			
LFT	X	X	X	X			

Housing Capability Polymer							
Housing Style	204	205	206	207	208	209	210
P2B	X	X	X	X	X	X	X
F2B	X	X	X	X	X	X	X
F4B	X	X	X	X	X	X	X
FB	X	X	X	X			
TB	X	X	X	X			
NSTU							
WSTU	X	X	X	X			
LF							
LFT							

ULTRA KLEEN

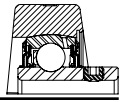
E-Z KLEEN

EXTREME DUTY

IMPERIAL-HD

S2000-HD

PART NUMBER INDEX



## E-Z KLEEN Polymer and Stainless Steel Housed Mounted Bearings

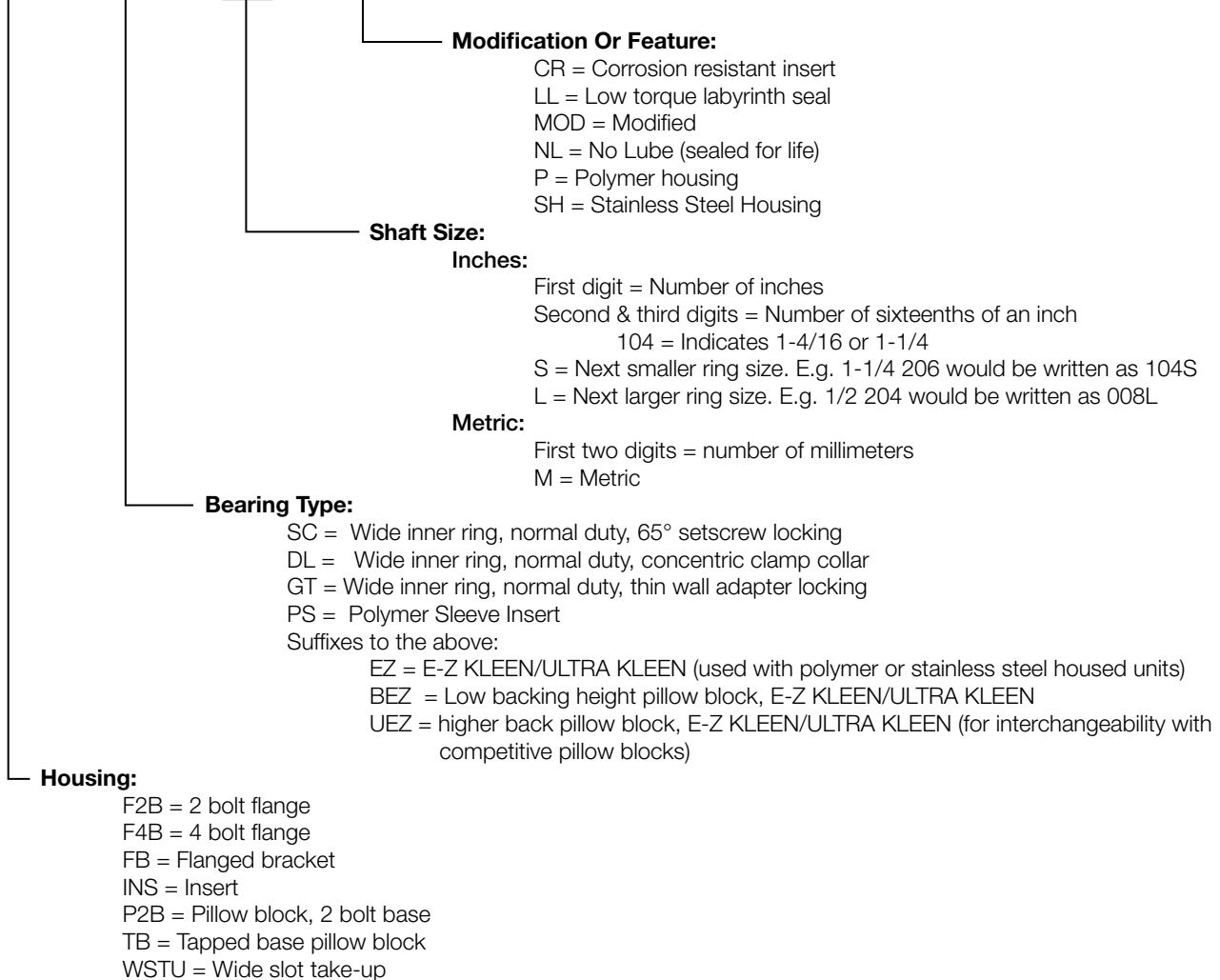
### HOW TO ORDER

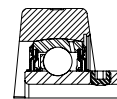
There are two ways to specify DODGE E-Z KLEEN ball bearings. Most of the product offerings have part numbers with listings shown throughout this catalog. Use of part numbers ensures accurate order processing.

When part numbers are not shown, the product may be specified by description or part name. This method is used when ordering units that include modifications or options.

### NOMENCLATURE

**P2B - SCHUEZ - 104S = PCR**





## SELECTION

### Selection of DODGE E-Z KLEEN Polymer and Stainless Steel Housed Ball Bearings

DODGE E-Z KLEEN mounted ball bearings are primarily designed for radial loading. However, they have the capacity to carry thrust loads and combined radial/thrust loads. The maximum recommended load which can be applied is limited by various components in the system, such as bearing, housing, shaft attachments, speed and life requirements as listed in this catalog and the instruction manual that accompanies each bearing. DODGE E-Z KLEEN ball bearings have been applied successfully when these limits have been exceeded under controlled operating conditions. Contact DODGE Engineering for applications which exceed these recommendations.

Select a bearing from the Selection Table that has a radial load rating at the operating speed equal to or greater than the calculated Equivalent Radial Load for a desired L<sub>10</sub> life. This simple method is all that is required for the majority of general applications and provides for occasional average shock loads.

**L<sub>10</sub> Hours Life** – The life which may be expected for at least 90% of a given group of bearings operating under identical conditions.

**Heavy Service** – For heavy shock loads, frequent shock loads or severe vibrations, add up to 50% (according to severity of conditions) to the Equivalent Radial Load to obtain a Modified Equivalent Radial Load. Consult Application Engineering for additional selection assistance.

A maximum thrust load value of C/10 is recommended as a guide for general applications and will give adequate L<sub>10</sub> life. If the thrust load exceeds this limit, it is advisable to use auxiliary thrust carrying devices, such as a shaft shoulder, snap ring, or a thrust collar. Where substantial radial load pulls the housing away from the mounting base, both the hold-down bolts and housing must be of adequate strength. Auxiliary load carrying devices, such as shear bars, are advisable for side or end-loading of pillow blocks and radial loads for flange units.

To determine the L<sub>10</sub> hours life for loads and RPMs not listed use the following equation:

$$L_{10} = \left(\frac{C}{P}\right)^3 \left(\frac{16667}{RPM}\right)$$

Where:

L<sub>10</sub> = Life, hours

C = Dynamic Capacity, lbs. or N

P = Equivalent Radial Load, lbs. or N

n = Revolutions per minute

When the load on a ball bearing is solely a radial load with no thrust (axial) load, the Equivalent Radial Load (P) is equal to the actual radial load. However, when a thrust (axial) load is applied, the radial and thrust loads applied must be converted into an Equivalent Radial Load. Use X (radial factor) and Y (thrust factor) from Table 1 to convert the actual applied thrust and radial loads to an Equivalent Radial Load which has the same effect on the life of a bearing as a radial load of this magnitude.

$$P = XF_R + YF_A$$

Where:

P = Equivalent Radial Load, lbs.

F<sub>R</sub> = Radial load, lbs.

F<sub>A</sub> = Thrust load, lbs.

e = Thrust load to radial load factor (Table 1)

X = Radial load factor (Table 1)

Y = Thrust Factor (Table 1)

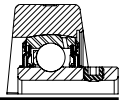
C<sub>0</sub> = Basic static capacity (Selection Table)

To find X and Y, first calculate F<sub>A</sub>/C<sub>0</sub> to determine e. Calculate F<sub>A</sub>/F<sub>R</sub> and compare to e to determine the X and Y factors to use from Table 1.

#### Shaft Tolerances

Normal Shaft Size Inches	Recommended Shaft Tolerances SC & D-LOK Products (Inches)	Recommended Shaft Tolerances GRIP TIGHT Ball Bearings Inches
Up to 1-1/2"	+0.000 -.0005	+0.000 -0.002
Over 1-1/2 to 2"	+0.000 -.0010	+0.000 -.0003

# SELECTION



## Selection of DODGE E-Z KLEEN Polymer and Stainless Steel Housed Ball Bearings

**Table 1**

$F_A / C_0$	$e$	Radial/Thrust Factors			
		If $F_A/F_R$ is equal to or less than $e$		If $F_A/F_R$ is greater than $e$	
		$F_A/F_R \leq e$		$F_A/F_R > e$	
		X	Y	X	V
.014	.19	1	0	0.56	2.30
.021	.21	1	0	0.56	2.15
.028	.22	1	0	0.56	1.99
.042	.24	1	0	0.56	1.85
.056	.26	1	0	0.56	1.71
.070	.27	1	0	0.56	1.63
.084	.28	1	0	0.56	1.55
.110	.30	1	0	0.56	1.45
.170	.34	1	0	0.56	1.31
.280	.38	1	0	0.56	1.15
.420	.42	1	0	0.56	1.04
.560	.44	1	0	0.56	1.00

Substitute all known values into the Equivalent Radial Load equation. The Equivalent Radial Load (P) thus determined can be used in the L10 life formula or compared to the allowable Equivalent Radial Load rating desired in the expanded rating chart to select a bearing (Selection Table).

If calculated value of P is less than  $F_R$ , use  $P=F_R$ .

**Lubrication** – DODGE Ball Bearings are lubricated at the factory and are ready to run. The bearings are initially lubricated with an aluminum complex based, H1 Food Grade grease and should be relubricated with the same or some equivalent. For high speeds, high loads, extreme temperatures and other abnormal operating conditions, special greases may be required. Contact DODGE Application Engineering for recommendations on these types of applications.

**Misalignment** – DODGE Ball Bearings are designed to allow a maximum of 2° static misalignment. These bearings are not suitable for dynamic misalignment. To ensure good alignment, mounting surfaces must be checked for flatness and must lie in the same plane. When tightening base bolts, each bolt should be alternately tightening in incremental torque values until full torque is achieved to prevent the angular shifting of the pillow block that occurs when one bolt is tightened to its full torque. Shimming may be required to minimize misalignment.

ULTRA KLEEN

E-Z KLEEN

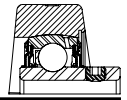
EXTREME DUTY

IMPERIAL-HD

S2000-HD

PART NUMBER INDEX

# EASY SELECTION



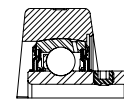
## E-Z KLEEN SC and DL

Ring Size	Shaft Size		Dynamic Capacity C, lbs.	Static Capacity Co, lbs.	L <sub>10</sub> Life - Hours	Allowable Equivalent Radial Load Rating (lbs.) at Various RPM*											
	SC	SCM				50	150	250	500	750	1000	1250	1500	1600	1750	2000	2250
204	1/2 5/8 3/4 13/16 20mm		2899	1390	20000	741	513	433	344	300	273	253	238	233	226	217	208
					30000	647	449	378	300	262	238	221	208	204	198	189	182
					40000	588	408	344	273	238	217	201	189	185	180	172	165
					60000	513	356	300	238	208	189	176	165	162	157	150	144
					100000	433	300	253	201	176	160	148	139	136	132	127	122
205	7/8 15/16 1 25mm		3146	1565	20000	804	557	470	373	326	296	275	259	253	246	235	226
					30000	702	487	411	326	285	259	240	226	221	215	205	197
					40000	638	442	373	296	259	235	218	205	201	195	187	179
					60000	557	386	326	259	226	205	191	179	176	170	163	157
					100000	470	326	275	218	191	173	161	151	148	144	137	132
206	1-1/16 1-1/8 1-3/16 1-1/4 30mm	1 25mm	4368	2250	20000	1116	774	652	518	452	411	382	359	351	341	326	314
					30000	975	676	570	452	395	359	333	314	307	298	285	274
					40000	886	614	518	411	359	326	303	285	279	271	259	249
					60000	774	536	452	359	314	285	265	249	244	237	226	217
					100000	652	452	382	303	265	240	223	210	206	199	191	183
207	1-1/4 1-5/16 1-3/8 1-7/16 35mm	1-3/16 1-1/4 30mm	5759	3065	20000	1471	1020	860	683	596	542	503	473	463	450	430	414
					30000	1285	891	752	596	521	473	439	414	405	393	376	361
					40000	1168	810	683	542	473	430	399	376	368	357	341	328
					60000	1020	707	596	473	414	376	349	328	321	312	298	287
					100000	860	596	503	399	349	317	294	277	271	263	252	242
208	1-1/2 1-5/8 40mm	1-7/16 1-1/2▲ 35mm	7332	4005	20000	1873	1299	1095	869	759	690	641	603	590	573	548	527
					30000	1636	1134	957	759	663	603	560	527	515	500	478	460
					40000	1487	1031	869	690	603	548	508	478	468	454	435	418
					60000	1299	900	759	603	527	478	444	418	409	397	380	365
					100000	1095	759	641	508	444	403	375	352	345	335	320	308
209	1-5/8 1-11/16 1-3/4 45mm	1-1/2 40mm	7891	4450	20000	2016	1398	1179	936	817	743	689	649	635	616	589	567
					30000	1761	1221	1030	817	714	649	602	567	555	538	515	495
					40000	1600	1109	936	743	649	589	547	515	504	489	468	450
					60000	1398	969	817	649	567	515	478	450	440	427	409	393
					100000	1179	817	689	547	478	434	403	379	371	360	345	331
210	1-15/16 2 50mm	1-11/16 1-3/4 45mm	7891	4450	20000	2016	1398	1179	936	817	743	689	649	635	616	589	567
					30000	1761	1221	1030	817	714	649	602	567	555	538	515	495
					40000	1600	1109	936	743	649	589	547	515	504	489	468	450
					60000	1398	969	817	649	567	515	478	450	440	427	409	393
					100000	1179	817	689	547	478	434	403	379	371	360	345	331

\* Slight interference fit required when operating on the right of the heavy line or in the shaded area.

▲ Piloted flange only





**E-Z KLEEN SC and DL (continued)**

Ring Size	Shaft Size		Dynamic Capacity C, lbs.	Static Capacity C <sub>0</sub> , lbs.	L <sub>10</sub> Life - Hours	Allowable Equivalent Radial Load Rating (lbs.) at Various RPM*											
	SC	SCM				2500	2750	3000	3250	3500	3600	4000	4500	5000	5250	5500	6000
204	1/2 5/8 3/4 13/16 20mm		2899	1390	20000	201	195	189	184	180	178	172	165	160	157	155	150
					30000	176	170	165	161	157	155	150	144	139	137	135	131
					40000	160	155	150	146	143	141	136	131	127	125	123	119
					60000	139	135	131	128	125	123	119	115	111	109	107	104
					100000	118	114	111	108	105	104	101	97	93	92	90	88
205	7/8 15/16 1 25mm		3146	1565	20000	218	211	205	200	195	193	187	179	173	170	168	163
					30000	191	185	179	175	170	169	163	157	151	149	147	142
					40000	173	168	163	159	155	153	148	142	137	135	133	129
					60000	151	147	142	139	135	134	129	124	120	118	116	113
					100000	128	124	120	117	114	113	109	105	101	100	98	95
206	1-1/16 1-1/8 1-3/16 1-1/4 30mm	1 25mm	4368	2250	20000	303	293	285	278	271	268	259	249	240	237		
					30000	265	256	249	242	237	234	226	217	210	207		
					40000	240	233	226	220	215	213	206	198	191	188		
					60000	210	203	198	192	188	186	180	173	167	164		
					100000	177	172	167	162	158	157	151	146	141	138		
207	1-1/4 1-5/16 1-3/8 1-7/16 35mm	1-3/16 1-1/4 30mm	5759	3065	20000	399	387	376	366	357	354	341	328				
					30000	349	338	328	320	312	309	298	287				
					40000	317	307	298	290	283	281	271	261				
					60000	277	268	261	254	247	245	237	228				
					100000	234	226	220	214	209	207	200	192				
208	1-1/2 1-5/8 40mm	1-7/16 1-1/2▲ 35mm	7332	4005	20000	508	492	478	466	454	450	435					
					30000	444	430	418	407	397	393	380					
					40000	403	391	380	370	361	357	345					
					60000	352	341	332	323	315	312	301					
					100000	297	288	280	272	266	263	254					
209	1-5/8 1-11/16 1-3/4 45mm	1-1/2 40mm	7891	4450	20000	547	530	515	501	489	485	468					
					30000	478	463	450	438	427	423	409					
					40000	434	421	409	398	388	385	371					
					60000	379	367	357	348	339	336	324					
					100000	320	310	301	293	286	283	274					
210	1-15/16 2 50mm	1-11/16 1-3/4 45mm	7891	4450	20000	547	530	515	501	489	485						
					30000	478	463	450	438	427	423						
					40000	434	421	409	398	388	385						
					60000	379	367	357	348	339	336						
					100000	320	310	301	293	286	283						

\* Slight interference fit required when operating on the right of the heavy line or in the shaded area.

▲ Piloted flange only

ULTRA KLEEN

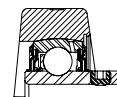
E-Z KLEEN

EXTREME DUTY

IMPERIAL-HD

S2000-HD

PART NUMBER INDEX



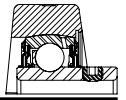
# EASY SELECTION

## E-Z KLEEN GT

Ring Size	Shaft Size		Dynamic Capacity C, lbs.	Static Capacity Co, lbs.	Allowable Equivalent Radial Load Rating (lbs.) at Various RPM*							
	GT	GTM			L <sub>10</sub> Life - Hours	50	150	250	500	750	1000	1500
204	3/4 20mm		2899	1390	20000	741	513	433	344	300	273	238
					30000	647	449	378	300	262	238	208
					40000	588	408	344	273	238	217	189
					60000	513	356	300	238	208	189	165
					100000	433	300	253	201	176	160	139
205	7/8 15/16 1 25mm	3/4	3146	1565	20000	804	557	470	373	326	296	259
					30000	702	487	411	326	285	259	226
					40000	638	442	373	296	259	235	205
					60000	557	386	326	259	226	205	179
					100000	470	326	275	218	191	173	151
206	1-1/8 1-3/16 1-1/4 30mm	1 25mm	4368	2250	20000	1116	774	652	518	452	411	359
					30000	975	676	570	452	395	359	314
					40000	886	614	518	411	359	326	285
					60000	774	536	452	359	314	285	249
					100000	652	452	382	303	265	240	210
207	1-1/4 1-3/8 1-7/16 35mm	1-3/16 1-1/4 30mm	5759	3065	20000	1471	1020	860	683	596	542	473
					30000	1285	891	752	596	521	473	414
					40000	1168	810	683	542	473	430	376
					60000	1020	707	596	473	414	376	328
					100000	860	596	503	399	349	317	277
208	1-1/2 40mm	1-7/16 1-1/2▲ 35mm	7332	4005	20000	1873	1299	1095	869	759	690	603
					30000	1636	1134	957	759	663	603	527
					40000	1487	1031	869	690	603	548	478
					60000	1299	900	759	603	527	478	418
					100000	1095	759	641	508	444	403	352
209	1-5/8 1-11/16 1-3/4 45mm	1-1/2 40mm	7891	4450	20000	2016	1398	1179	936	817	743	649
					30000	1761	1221	1030	817	714	649	567
					40000	1600	1109	936	743	649	589	515
					60000	1398	969	817	649	567	515	450
					100000	1179	817	689	547	478	434	379
210	1-15/16 2 50mm	1-11/16 1-3/4 45mm	7891	4450	20000	2016	1398	1179	936	817	743	649
					30000	1761	1221	1030	817	714	649	567
					40000	1600	1109	936	743	649	589	515
					60000	1398	969	817	649	567	515	450
					100000	1179	817	689	547	478	434	379

\* Speed limit values reflect quad contact seal

▲ Piloted flange only



**E-Z KLEEN GT (continued)**

Ring Size	Shaft Size		Dynamic Capacity C, lbs.	Static Capacity C <sub>0</sub> , lbs.	Allowable Equivalent Radial Load Rating (lbs.) at Various RPM*							
	GT	GTM			L <sub>10</sub> Life - Hours	1750	2000	2200	2600	3000	3200	3600
204	3/4 20mm		2899	1390	20000	226	217	210	198	189	185	178
					30000	198	189	183	173	165	162	155
					40000	180	172	166	157	150	147	141
					60000	157	150	145	138	131	128	123
					100000	132	127	123	116	111	108	104
205	7/8 15/16 1 25mm	3/4	3146	1565	20000	246	235	228	215	205	201	193
					30000	215	205	199	188	179	176	169
					40000	195	187	181	171	163	159	153
					60000	170	163	158	149	142	139	134
					100000	144	137	133	126	120	117	113
206	1-1/8 1-3/16 1-1/4 30mm	1 25mm	4368	2250	20000	341	326	316	299	285	279	268
					30000	298	285	276	261	249	244	234
					40000	271	259	251	237	226	221	213
					60000	237	226	219	207	198	193	186
					100000	199	191	185	175	167	163	157
207	1-1/4 1-3/8 1-7/16 35mm	1-3/16 1-1/4 30mm	5759	3065	20000	450	430	417	394	376	368	354
					30000	393	376	364	344	328	321	309
					40000	357	341	331	313	298	292	281
					60000	312	298	289	273	261	255	245
					100000	263	252	244	230	220	215	207
208	1-1/2 40mm	1-7/16 1-1/2▲ 35mm	7332	4005	20000	573	548	531	502	478	468	450
					30000	500	478	463	438	418	409	393
					40000	454	435	421	398	380	372	357
					60000	397	380	368	348	332	325	312
					100000	335	320	310	293	280	274	263
209	1-5/8 1-11/16 1-3/4 45mm	1-1/2 40mm	7891	4450	20000	616	589	571	540	515	504	485
					30000	538	515	499	472	450	440	423
					40000	489	468	453	429	409	400	385
					60000	427	409	396	374	357	349	336
					100000	360	345	334	316	301	295	283
210	1-15/16 2 50mm	1-11/16 1-3/4 45mm	7891	4450	20000	616	589	571	540	515	504	485
					30000	538	515	499	472	450	440	423
					40000	489	468	453	429	409	400	385
					60000	427	409	396	374	357	349	336
					100000	360	345	334	316	301	295	283

\* Speed limit values reflect quad contact seal

▲ Piloted flange only

ULTRA KLEEN

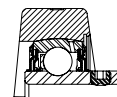
E-Z KLEEN

EXTREME DUTY

IMPERIAL-HD

S2000-HD

PART NUMBER INDEX



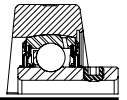
# EASY SELECTION

## E-Z KLEEN GT (continued)

Ring Size	Shaft Size		Dynamic Capacity C, lbs.	Static Capacity C <sub>0</sub> , lbs.	Allowable Equivalent Radial Load Rating (lbs.) at Various RPM*							
	GT	GTM			L <sub>10</sub> Life - Hours	3840	4000	4240	4480	4800	5040	5300
204	3/4 20mm		2899	1390	20000	174	172	169	165	162	159	156
					30000	152	150	147	145	141	139	137
					40000	138	136	134	131	128	126	124
					60000	121	119	117	115	112	110	108
					100000	102	101	99	97	95	93	92
205	7/8 15/16 1 25mm	3/4	3146	1565	20000	189	187	183	180	176	173	170
					30000	165	163	160	157	153	151	148
					40000	150	148	145	143	139	137	135
					60000	131	129	127	125	122	120	118
					100000	111	109	107	105	103	101	99
206	1-1/8 1-3/16 1-1/4 30mm	1 25mm	4368	2250	20000	262	259	254	249	244	240	236
					30000	229	226	222	218	213	209	206
					40000	208	206	202	198	193	190	187
					60000	182	180	176	173	169	166	163
					100000	154	151	149	146	143	140	138
207	1-1/4 1-3/8 1-7/16 35mm	1-3/16 1-1/4 30mm	5759	3065	20000	346	341	335	329	321	316	
					30000	302	298	293	287	281	276	
					40000	275	271	266	261	255	251	
					60000	240	237	232	228	223	219	
					100000	202	200	196	192	188	185	
208	1-1/2 40mm	1-7/16 1-1/2▲ 35mm	7332	4005	20000	441	435	426	419			
					30000	385	380	372	366			
					40000	350	345	338	332			
					60000	306	301	296	290			
					100000	258	254	249	245			
209	1-5/8 1-11/16 1-3/4 45mm	1-1/2 40mm	7891	4450	20000	474	468	459				
					30000	414	409	401				
					40000	376	371	364				
					60000	329	324	318				
					100000	277	274	268				
210	1-15/16 2 50mm	1-11/16 1-3/4 45mm	7891	4450	20000	474						
					30000	414						
					40000	376						
					60000	329						
					100000	277						

\* Speed limit values reflect quad contact seal

▲ Piloted flange only



**E-Z KLEEN GT (continued)**

Ring Size	Shaft Size		Dynamic Capacity C, lbs.	Static Capacity C <sub>0</sub> , lbs.	Allowable Equivalent Radial Load Rating (lbs.) at Various RPM*						
	GT	GTM			L <sub>10</sub> Life - Hours	5600	6000	6500	7000	7200	8000
204	3/4 20mm		2899	1390	20000	154	150	146	143	141	136
					30000	134	131	128	125	123	119
					40000	122	119	116	113	112	108
					60000	107	104	101	99	98	95
					100000	90	88	85	83	83	80
205	7/8 15/16 1 25mm	3/4	3146	1565	20000	167	163	159	155	153	
					30000	146	142	139	135	134	
					40000	132	129	126	123	122	
					60000	116	113	110	107	106	
					100000	97	95	93	91	90	
206	1-1/8 1-3/16 1-1/4 30mm	1 25mm	4368	2250	20000	231	226				
					30000	202	198				
					40000	184	180				
					60000	160	157				
					100000	135	132				
207	1-1/4 1-3/8 1-7/16 35mm	1-3/16 1-1/4 30mm	5759	3065	20000						
					30000						
					40000						
					60000						
					100000						
208	1-1/2 40mm	1-7/16 1-1/2▲ 35mm	7332	4005	20000						
					30000						
					40000						
					60000						
					100000						
209	1-5/8 1-11/16 1-3/4 45mm	1-1/2 40mm	7891	4450	20000						
					30000						
					40000						
					60000						
					100000						
210	1-15/16 2 50mm	1-11/16 1-3/4 45mm	7891	4450	20000						
					30000						
					40000						
					60000						
					100000						

\* Speed limit values reflect quad contact seal

▲ Piloted flange only

ULTRA KLEEN

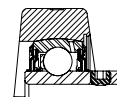
E-Z KLEEN

EXTREME DUTY

IMPERIAL-HD

S2000-HD

PART NUMBER INDEX

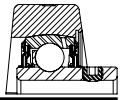


# EASY SELECTION

## Chemical Resistance Chart

Chemical Agent	Solution Conc.	@ 23°C (73°F)		@ 60°C (140°F)		@ 80°C (175°F)
		Polymer Housing	Polymer Insert	Polymer Housing	Polymer Insert	Polymer Housing
<b>A</b>						
Acetic Acid	5%	+	+	=		=
Acetic Acid	10%	+		=		=
Acetic Acid	20%	=	-	=	-	=
Acetic Acid	80%	=	-	=	-	=
Acetic Acid	100%	=		=		=
Acetone		=	=			
Ammonium Chloride	10%		+		+	
Ammonium Hydroxide	10%	=	-			
Ammonium Hydroxide	conc.	-				
Aniline		+	=		=	
<b>B</b>						
Benzene		=	=	=	=	
Bleaching Lye		+		+		
Brake Fluid		+	+	+	+	+
Butane		+				
Butanol		=		=		
Butyl Acetate		+		=		
<b>C</b>						
Calcium Chloride	5%	+	+	+		
Calcium Chloride	10%	+		+		
Calcium Hydroxide	10%		+		+	
Calcium Hypochlorite		+		+		
Carbon Disulphide		+				
Carbon Tetrachloride		+	+			
Castor Oil			+			
Chloroform		-				
Chromic Acid	40%	+		-		-
Citric Acid	10%	+		+		+
Cottonseed Oil		+		+		+
Cresol		-		-		-
<b>D</b>						
Detergents	1%	+	+	=		-
Detergents	25%	+	+	=		-
Dibutyl Phthalate		+		+		
D (continued)						
Diesel Oil		+				
Dioxane		+	=	-	=	

(+) excellent resistance (=) good-fair resistance (-) fair-poor resistance (blank) no data available



### Chemical Resistance Chart

Chemical Agent	Solution Conc.	@ 23°C (73°F)		@ 60°C (140°F)		@ 80°C (175°F)
		Polymer Housing	Polymer Insert	Polymer Housing	Polymer Insert	Polymer Housing
<b>E</b>						
Ethanol		+	=			
Ether (diethyl-)		+				
Ethyl Acetate		=	=			
Ethylene Dichloride		-				
<b>F</b>						
Ferrous Chloride	5%		+			
Formic Acid	5%	+		=		+
Formic Acid	90%	=		-		-
Freon 11		+				
<b>G</b>						
Gasoline		+	+			
Glycerol (Glycerin)		=		=		
Glycol		=		=		
Grease		+	+	+	+	+
<b>H</b>						
Heptane		+				
Hexane		+	+		+	
Hydrochloric Acid	10%	+	-	=	-	-
Hydrochloric Acid	90%	-	-	-	-	-
Hydrofluoric Acid	5%	-		-		-
Hydrofluoric Acid	50%	-		-		-
Hydrogen Peroxide	3%	+	+			
Hydrogen Peroxide	30%	=	+			
<b>I J</b>						
Isoamyle Alcohol			=		=	
Isopropanol		=		=		
<b>K L</b>						
Kerosene		+	+		+	
Lithium Chloride	43%		+		+	

(+) excellent resistance (=) good-fair resistance (-) fair-poor resistance (blank) no data available

ULTRA KLEEN

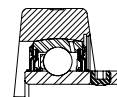
E-Z KLEEN

EXTREME DUTY

IMPERIAL-HD

S2000-HD

PART NUMBER INDEX



# EASY SELECTION

## Chemical Resistance Chart

Chemical Agent	Solution Conc.	@ 23°C (73°F)		@ 60°C (140°F)		@ 80°C (175°F)
		Polymer Housing	Polymer Insert	Polymer Housing	Polymer Insert	Polymer Housing
<b>M</b>						
Methanol		+	=		=	
Methylene Chloride		-	+	-		
M (continued)						
Methyl Ethyl Ketone		+	+	=	+	
Methyl Salicylate			+			
Mineral Oil		+	+	+	+	+
Motor Oils		+	+	+	+	+
<b>N</b>						
Nitric Acid	10%	+	-	=	-	=
Nitric Acid	40%	-	-	-	-	-
Nitric Acid	70%	-	-	-	-	-
<b>O</b>						
Oleic Acid	100%	+		+		+
Olive Oil		+	+	+	+	+
<b>P</b>						
Perchloroethylene		+	=	=	=	
Petroleum Ether		+				
Phenol		=		-	-	-
Phosphoric Acid	3%	+		+		+
Phosphoric Acid	30%	+	-	+	-	+
Phosphoric Acid	85%	+	-	+	-	-
P (continued)						
Potassium Chloride	10%	+		=		-
Potassium Dichromate	10%	+				
Potassium Hydroxide	1%	-		-		-
Potassium Hydroxide	10%	-		-		-
Potassium Hydroxide	60%	-		-		-
Potassium Permanganate	10%	+	+		+	

(+) excellent resistance (=) good-fair resistance (-) fair-poor resistance (blank) no data available

ULTRA KLEEN

E-Z KLEEN

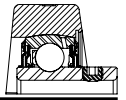
EXTREME DUTY

IMPERIAL-HD

S2000-HD

PART NUMBER INDEX





**Chemical Resistance Chart**

Chemical Agent	Solution Conc.	@ 23°C (73°F)		@ 60°C (140°F)		@ 80°C (175°F)
		Polymer Housing	Polymer Insert	Polymer Housing	Polymer Insert	Polymer Housing
<b>S</b>						
Silicone Fluids		+		+		+
Soap Solution	1%	+	+	=	=	-
Sodium Bicarbonate	10%	+		=		-
Sodium Bisulfate	5%		+			
Sodium Bisulfite	5%	+	-			
Sodium Bisulfite	10%	+	-	=		-
S (continued)						
Sodium Carbonate	10%	+		-		-
Sodium Carbonate	20%	+		-		-
S (continued)						
Sodium Chloride	10%	+	+	=	+	-
Sodium Hydroxide	1%	-		-		-
Sodium Hydroxide	10%	-	-	-		-
Sodium Hydroxide	60%	-		-		-
Sodium Hypochlorite	5%	+	-			
Sodium Hypochlorite	10%	+		=		-
Sulfuric Acid	3%	+	-	+	-	+
Sulfuric Acid	30%	+	-	+	-	-
Sulfuric Acid	98%	-	-	-	-	-
<b>T</b>						
Tetrahydrofuran		=				
Toulene		+	=			
Transformer Oil		+	+	+	+	+
Trichlorethylene		=				
Triethylamine			=		=	
Turpentine		+				
<b>V</b>						
Vaseline		+		+		+
Vegetable Oils		+	+	+	+	+
<b>W</b>						
Water		+	+	=	=	-
White Spirits		+				
<b>X</b>						
Xylene		+				

(+) excellent resistance (-) good-fair resistance (-) fair-poor resistance (blank) no data available

ULTRA KLEEN

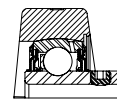
E-Z KLEEN

EXTREME DUTY

IMPERIAL-HD

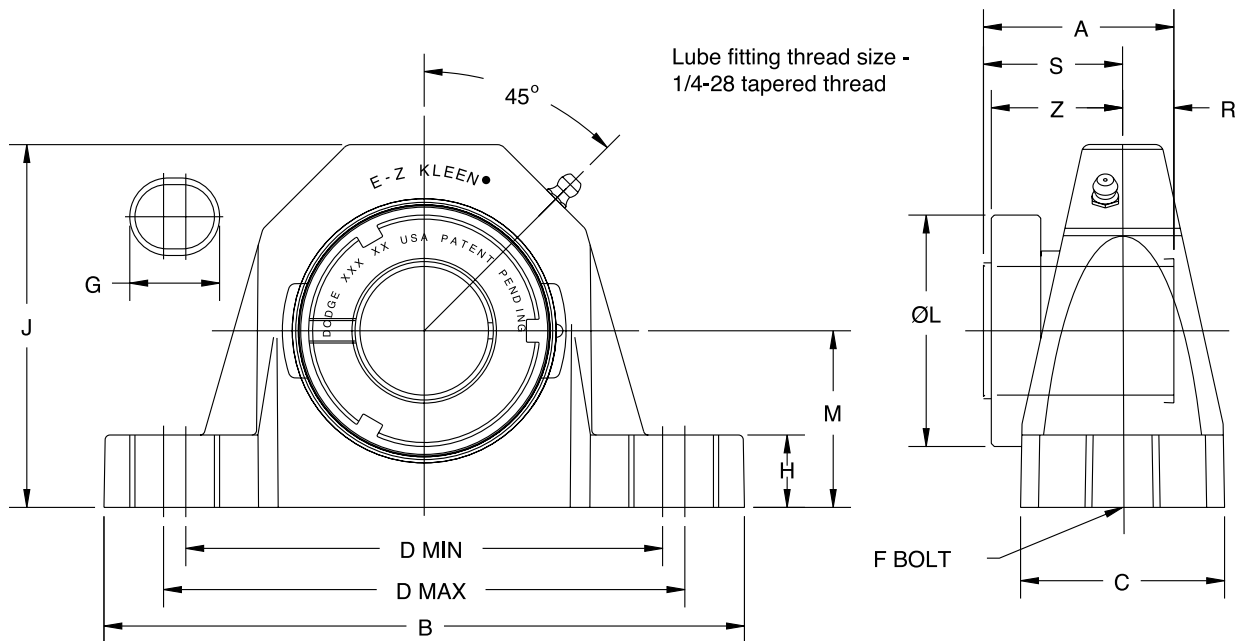
S2000-HD

PART NUMBER INDEX



# SELECTION/DIMENSIONS

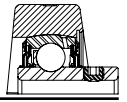
## E-Z KLEEN Mounted Bearings GTEZ Normal Duty Polymer Housed Pillow Blocks



Series	Shaft Size	Complete Unit		Unit without Adapter		Adapter & Nut Assembly	
		Part No.	Description	Part No.	Description	Part No.	Description
204	3/4 20mm	<b>129244</b>	P2B-GTEZ-012-PCR	<b>129530</b>	P2B-GTEZ-04-PCR	<b>129967</b>	AN-GT-04-012-CR
		<b>129245</b>	P2B-GTEZ-20M-PCR			<b>129980</b>	AN-GT-04-20M-CR
205	1 25mm	<b>129246</b>	P2B-GTEZ-100-PCR	<b>129531</b>	P2B-GTEZ-05-PCR	<b>129968</b>	AN-GT-05-100-CR
		<b>129247</b>	P2B-GTEZ-25M-PCR			<b>129981</b>	AN-GT-05-25M-CR
206 (GTU)	1-1/8	@	P2B-GTUEZ-102-PCR	<b>129536</b>	P2B-GTUEZ-06-PCR	<b>129969</b>	AN-GT-06-102-CR
	1-3/16	<b>129248</b>	P2B-GTUEZ-103-PCR			<b>129602</b>	AN-GT-06-103-CR
	1-1/4	<b>129249</b>	P2B-GTUEZ-104S-PCR			<b>129603</b>	AN-GT-06-104S-CR
	30mm	<b>129250</b>	P2B-GTUEZ-30M-PCR			<b>129611</b>	AN-GT-06-30M-CR
207	1-1/4	<b>129251</b>	P2B-GTEZ-104-PCR	<b>129532</b>	P2B-GTEZ-07-PCR	<b>129972</b>	AN-GT-07-104-CR
	1-3/8	<b>129392</b>	P2B-GTEZ-106-PCR			<b>129973</b>	AN-GT-07-106-CR
	1-7/16	<b>129252</b>	P2B-GTEZ-107-PCR			<b>129974</b>	AN-GT-07-107-CR
	35mm	<b>129253</b>	P2B-GTEZ-35M-PCR			<b>129983</b>	AN-GT-07-35M-CR
208 (GTB)	1-1/2 40mm	<b>129254</b>	P2B-GTBEZ-108-PCR	<b>129535</b>	P2B-GTBEZ-08-PCR	<b>129606</b>	AN-GT-08-108-CR
		<b>129255</b>	P2B-GTBEZ-40M-PCR			<b>129613</b>	AN-GT-08-40M-CR
209	1-11/16	<b>129256</b>	P2B-GTEZ-111-PCR	<b>129533</b>	P2B-GTEZ-09-PCR	<b>129976</b>	AN-GT-09-111-CR
	1-3/4	<b>129396</b>	P2B-GTEZ-112-PCR			<b>129977</b>	AN-GT-09-112-CR
	45mm	<b>129257</b>	P2B-GTEZ-45M-PCR			<b>129985</b>	AN-GT-09-45M-CR
210	1-15/16	<b>129258</b>	P2B-GTEZ-115-PCR	<b>129534</b>	P2B-GTEZ-10-PCR	<b>129978</b>	AN-GT-10-115-CR
	2 50mm	<b>129393</b>	P2B-GTEZ-200-PCR			<b>129979</b>	AN-GT-10-200-CR
		<b>129259</b>	P2B-GTEZ-50M-PCR			<b>129986</b>	AN-GT-10-50M-CR

@ Assembled to order

# SELECTION/DIMENSIONS



## E-Z KLEEN Mounted Bearings GTEZ Normal Duty Polymer Housed Pillow Blocks

ULTRA KLEEN

E-Z KLEEN

EXTREME DUTY

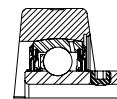
IMPERIAL-HD

S2000-HD

PART NUMBER INDEX

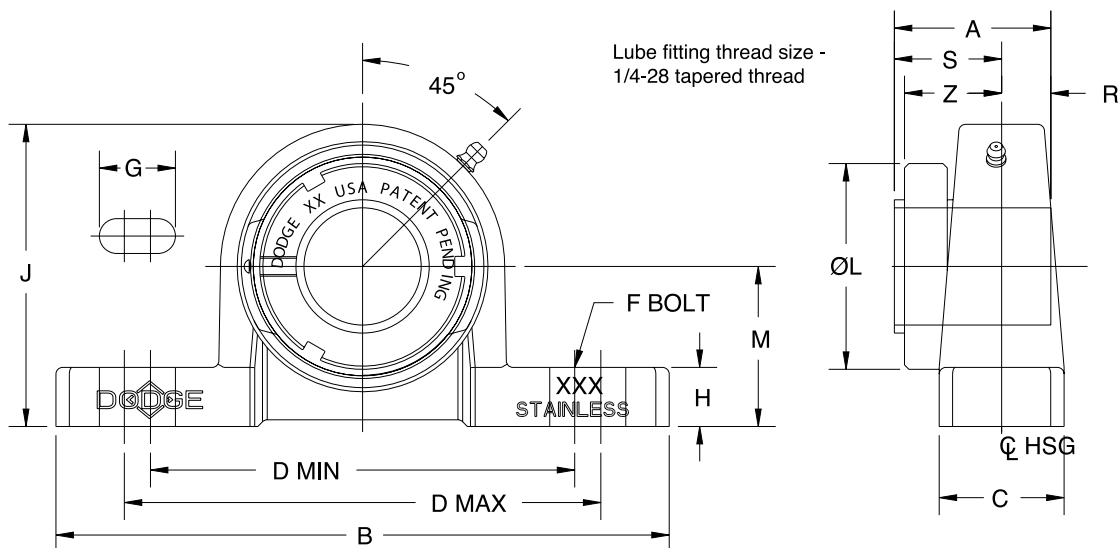
Series	Shaft Size	Weight lbs kg	A	B	C	D		F Bolt Dia.	G	H	J	L	M	R#	S#	Z
						min.	max.									
204	3/4	0.9	1-15/32	5-1/32	1-31/64	3-43/64	3-59/64	3/8	19/32	39/64	2-5/8	1-1/2	1-5/16	31/64	63/64	1-3/64
	20mm	0.4	37.3	127.8	37.7	93.3	99.6	M10	15.1	15.5	66.7	38.1	33.3	12.3	25	26.6
205	1	1.1	1-29/64	5-1/2	1-31/64	3-31/32	4-13/64	3/8	19/32	39/64	2-55/64	1-51/64	1-7/16	1/2	61/64	1-1/64
	25mm	0.5	36.9	139.7	37.7	100.8	106.8	M10	15.1	15.5	72.6	45.6	36.5	12.8	24.2	25.8
206 (GTU)	1-1/8	1.8	1-39/64	6-5/16	1-25/32	4-39/64	4-57/64	1/2	23/32	45/64	3-11/32	2-5/64	1-11/16	17/32	1-5/64	1-1/8
	1-3/16	1.7														
	1-1/4	1.6														
	30mm	0.8	40.9	160.3	45.2	116.9	124.2	M12	18.3	17.9	84.9	52.8	42.9	13.5	27.4	28.6
207	1-1/4	2.5	1-5/8	6-35/64	1-7/8	4-13/16	5-1/8	1/2	23/32	23/32	3-57/64	2-3/8	1-7/8	9/16	1-1/16	1-9/64
	1-3/8	2.4														
	1-7/16	2.4														
	35mm	1.1	41.3	166.3	47.6	122.2	130.2	M12	18.3	18.3	98.8	60.3	47.6	14.3	27	29.0
208 (GTB)	1-1/2	3.0	1-27/32	7-13/64	2-7/64	5-7/64	5-41/64	1/2	7/8	49/64	4-11/64	2-5/8	1-15/16	21/32	1-3/16	1-15/64
	40mm	1.4	46.8	183.0	53.6	129.6	143.3	M12	22.2	19.4	106	66.7	49.2	16.7	30.2	31.4
209	1-11/16	3.4	1-55/64	7-13/64	2-7/64	5-31/32	5-27/64	1/2	7/8	27/32	4-5/16	2-5/64	2-1/8	21/32	1-3/16	1-9/32
	1-3/4	3.3														
	45mm	1.6	47.2	183.0	53.6	137.7	151.6	M12	22.2	21.4	109.5	72.6	54	16.7	30.2	32.5
210	1-15/16	4.2	1-55/64	8-1/16	2-23/64	6	6-9/16	5/8	1	59/64	4-9/16	3-1/8	2-1/4	21/32	1-13/64	1-9/32
	2	4.1														
	50mm	1.7	47.2	204.8	59.9	152.4	166.7	M16	25.4	23.4	115.9	79.4	57.2	16.7	30.6	32.5

#R & S dimensions will vary slightly depending on true shaft Diameter



# SELECTION/DIMENSIONS

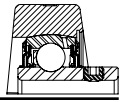
## E-Z KLEEN Mounted Bearings GTEZ Normal Duty Stainless Steel Housed Pillow Blocks



Series	Shaft Size	Complete Unit		Unit Without Adapter		Adapter & Nut Assembly	
		Part No.	Description	Part No.	Description	Part No.	Description
204	3/4 20mm	<b>129260</b>	P2B-GTEZ-012-SHCR	<b>129559</b>	P2B-GTEZ-04-SHCR	<b>129967</b>	AN-GT-04-012-CR
		<b>129261</b>	P2B-GTEZ-20M-SHCR			<b>129980</b>	AN-GT-04-20M-CR
205	1 25mm	<b>129262</b>	P2B-GTEZ-100-SHCR	<b>129560</b>	P2B-GTEZ-05-SHCR	<b>129968</b>	AN-GT-05-100-CR
		<b>129263</b>	P2B-GTEZ-25M-SHCR			<b>129981</b>	AN-GT-05-25M-CR
206	1-1/8	<b>064994</b>	P2B-GTEZ-102-SHCR	<b>129561</b>	P2B-GTEZ-06-SHCR	<b>129969</b>	AN-GT-06-102-CR
	1-3/16	<b>129264</b>	P2B-GTEZ-103-SHCR			<b>129970</b>	AN-GT-06-103-CR
	1-1/4	@	P2B-GTEZ-104S-SHCR			<b>129971</b>	AN-GT-06-104-CR
	30mm	@	P2B-GTEZ-30M-SHCR			<b>129982</b>	AN-GT-06-30M-CR
206 (GTU)	1-1/8	@	P2B-GTUEZ-102-SHCR	<b>129566</b>	P2B-GTUEZ-06-SHCR	<b>129969</b>	AN-GT-06-102-CR
	1-3/16	<b>129265</b>	P2B-GTUEZ-103-SHCR			<b>129602</b>	AN-GT-06-103-CR
	1-1/4	<b>129266</b>	P2B-GTUEZ-104S-SHCR			<b>129605</b>	AN-GT-06-104S-CR
	30mm	<b>129267</b>	P2B-GTUEZ-30M-SHCR			<b>129612</b>	AN-GT-06-30M-CR
207	1-1/4	<b>129268</b>	P2B-GTEZ-104-SHCR	<b>129562</b>	P2B-GTEZ-07-SHCR	<b>129972</b>	AN-GT-07-104-CR
	1-3/8	<b>067678</b>	P2B-GTEZ-106-SHCR			<b>129973</b>	AN-GT-07-106-CR
	1-7/16	<b>129269</b>	P2B-GTEZ-107-SHCR			<b>129974</b>	AN-GT-07-107-CR
	35mm	<b>129270</b>	P2B-GTEZ-35M-SHCR			<b>129983</b>	AN-GT-07-35M-CR
208	1-1/2 40mm	<b>129271</b>	P2B-GTEZ-108-SHCR	<b>129563</b>	P2B-GTEZ-08-SHCR	<b>129975</b>	AN-GT-08-108-CR
		@	P2B-GTEZ-40M-SHCR			<b>129984</b>	AN-GT-08-40M-CR
208 (GTB)	1-1/2 40mm	<b>129272</b>	P2B-GTBEZ-108-SHCR	<b>129565</b>	P2B-GTBEZ-08-SHCR	<b>129606</b>	AN-GT-08-108-CR
		<b>129273</b>	P2B-GTBEZ-40M-SHCR			<b>129613</b>	AN-GT-08-40M-CR
210	1-15/16	<b>129274</b>	P2B-GTEZ-115-SHCR	<b>129564</b>	P2B-GTEZ-10-SHCR	<b>129978</b>	AN-GT-10-115-CR
	2	@	P2B-GTEZ-200-SHCR			<b>129979</b>	AN-GT-10-200-CR
	50mm	<b>129275</b>	P2B-GTEZ-50M-SHCR			<b>129986</b>	AN-GT-10-50M-CR

@ Assembled to order

# SELECTION/DIMENSIONS



## E-Z KLEEN Mounted Bearings GTEZ Normal Duty Stainless Steel Housed Pillow Blocks

ULTRA KLEEN

E-Z KLEEN

EXTREME DUTY

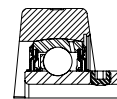
IMPERIAL-HD

S2000-HD

PART NUMBER INDEX

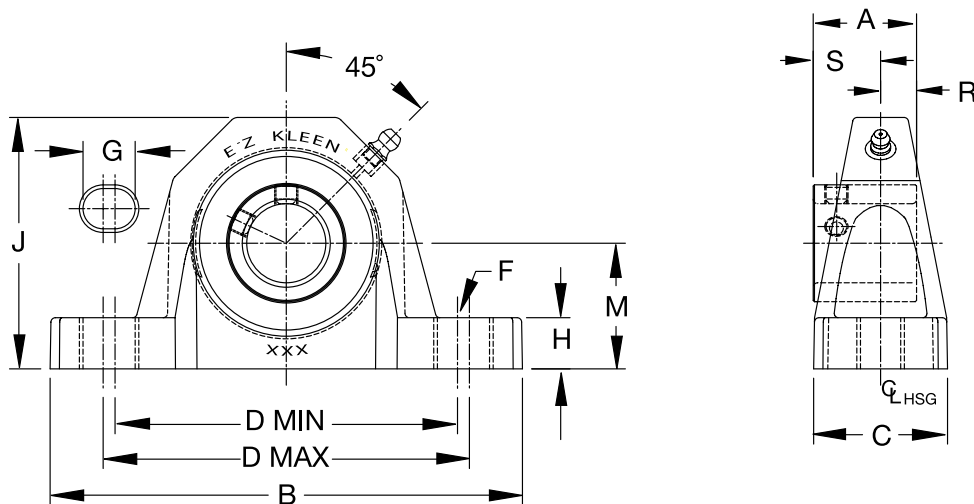
Series	Shaft Size	Weight lbs kg	A	B	C	D		F Bolt Dia.	G	H	J	L	M	R#	S#	Z
						min.	max.									
204	3/4	1.46	1-15/32	5	1	3-3/8	4-3/16	3/8	27/32	1/2	2-1/2	1-1/2	1-5/16	31/64	63/64	1-3/64
	20mm	0.65	37.3	127.0	25.4	85.7	106.4	M10	21.4	12.7	63.5	38.1	33.3	12.3	25	26.7
205	1	1.92	1-29/64	5-1/2	1-1/8	3-11/16	4-1/2	3/8	27/32	17/32	2-23/32	1-51/64	1-7/16	1/2	61/64	1-1/64
	25mm	0.83	36.9	139.7	28.6	93.7	114.3	M10	21.4	13.5	68.7	45.6	36.5	12.7	24.2	25.9
206	1-1/8	2.60	1-39/64	6-1/4	1-1/4	4-17/64	5	1/2	15/16	17/32	3-1/8	2-5/64	1-5/8	17/32	1-5/64	1-1/8
	1-3/16															
	1-1/4															
206 (GTU)	30mm	1.18	40.9	158.8	31.8	108.3	127	M12	23.8	13.5	79.4	52.8	41.3	13.5	27.4	28.7
	1-1/8	2.65	1-39/64	6-1/4	1-1/4	4-17/64	5	1/2	15/16	19/32	3-3/16	2-5/64	1-11/16	17/32	1-5/64	1-1/8
	1-3/16															
207	1-1/4	3.83	1-5/8	6-1/2	1-3/8	4-11/16	5-7/16	1/2	15/16	9/16	3-5/8	2-3/8	1-7/8	9/16	1-1/16	1-9/64
	1-3/8															
	1-7/16															
208	35mm	1.75	41.3	165.1	34.9	119.1	138.1	M12	23.8	14.3	92.1	60.3	47.6	14.3	27	29.1
	40mm	4.90	1-27/32	7	1-1/2	5-3/16	6	1/2	31/32	3/4	4	2-5/8	2-1/8	21/32	1-3/16	1-15/64
208 (GTB)	40mm	2.22	46.8	177.8	38.1	131.8	152.4	M12	24.6	19.1	101.6	66.7	54	16.7	30.2	31.5
	1-1/2	4.85	1-27/32	7	1-1/2	5-3/16	6	1/2	31/32	9/16	3-13/16	2-5/8	1-15/16	21/32	1-3/16	1-15/64
210	40mm	2.22	46.8	177.8	38.1	131.8	152.4	M12	24.6	14.3	96.8	66.7	49.2	16.7	30.2	31.5
	1-15/16	6.14	1-55/64	8	1-5/8	5-49/64	6-11/16	5/8	1-9/64	5/8	4-5/16	3-1/8	2-1/4	21/32	1-13/64	1-9/32
210	2															
	50mm	2.62	47.2	203.2	41.3	146.4	169.9	M16	29	15.9	109.5	79.4	57.2	16.7	30.6	32.6

#R & S dimensions will vary slightly depending on true shaft diameter



# SELECTION/DIMENSIONS

## E-Z KLEEN Mounted Bearings SCEZ Normal Duty Polymer Housed Pillow Blocks

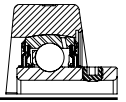


Series	Shaft Size	With Corrosion Resistant Insert		Standard Insert With Fingers	
		Part No.	Description	Part No.	Description
204	1/2	@	P2B-SCEZ-008L-PCR*	@	P2B-SCEZ-008L-P
	5/8	<b>068322</b>	P2B-SCEZ-010L-PCR*	<b>064572</b>	P2B-SCEZ-010L-P
	3/4	<b>127500</b>	P2B-SCEZ-012-PCR	@	P2B-SCEZ-012-P
	20 mm	<b>127545</b>	<i>P2B-SCEZ-20M-PCR</i>	@	<i>P2B-SCEZ-20M-P</i>
205	7/8	<b>064839</b>	P2B-SCEZ-014-PCR*	<b>062837</b>	P2B-SCEZ-014-P
	15/16	<b>058975</b>	P2B-SCEZ-015-PCR*	@	P2B-SCEZ-015-P
	1	<b>127501</b>	P2B-SCEZ-100-PCR	<b>058597</b>	P2B-SCEZ-100-P
	25 mm	<b>127546</b>	<i>P2B-SCEZ-25M-PCR</i>	@	<i>P2B-SCEZ-25M-P</i>
206	1-1/8	@	P2B-SCUEZ-102-PCR*	<b>067919</b>	P2B-SCUEZ-102-P
	1-3/16	<b>127502</b>	P2B-SCUEZ-103-PCR	@	P2B-SCUEZ-103-P
	1-1/4	<b>127503</b>	P2B-SCUEZ-104S-PCR	<b>058596</b>	P2B-SCUEZ-104S-P
	30 mm	<b>127547</b>	<i>P2B-SCUEZ-30M-PCR</i>	@	<i>P2B-SCUEZ-30M-P</i>
207	1-1/4	<b>127504</b>	P2B-SCEZ-104-PCR	<b>065655</b>	P2B-SCEZ-104-P
	1-5/16	<b>059722</b>	P2B-SCEZ-105-PCR*	@	P2B-SCEZ-105-P
	1-3/8	<b>058944</b>	P2B-SCEZ-106-PCR*	@	P2B-SCEZ-106-P
	1-7/16	<b>127505</b>	P2B-SCEZ-107-PCR	<b>064064</b>	P2B-SCEZ-107-P
	35 mm	<b>127548</b>	<i>P2B-SCEZ-35M-PCR</i>	@	<i>P2B-SCEZ-35M-P</i>
208	1-1/2	<b>127506</b>	P2B-SCBEZ-108-PCR	@	P2B-SCBEZ-108-P
	1-5/8	<b>068495</b>	P2B-SCBEZ-110-PCR*	@	P2B-SCBEZ-110-P
	40 mm	<b>127549</b>	<i>P2B-SCBEZ-40M-PCR</i>	@	<i>P2B-SCBEZ-40M-P</i>
209	1-5/8	@	P2B-SCBEZ-110L-PCR*	@	P2B-SCBEZ-110L-P
	1-11/16	<b>127507</b>	P2B-SCEZ-111-PCR	<b>067996</b>	P2B-SCEZ-111-P
	1-3/4	<b>058931</b>	P2B-SCEZ-112-PCR	@	P2B-SCEZ-112-P
	45 mm	<b>127550</b>	<i>P2B-SCEZ-45M-PCR</i>	@	<i>P2B-SCEZ-45M-P</i>
210	1-15/16	<b>127508</b>	P2B-SCEZ-115-PCR	<b>056497</b>	P2B-SCEZ-115-P
	2	<b>057898</b>	P2B-SCEZ-200-PCR	@	P2B-SCEZ-200-P
	50 mm	<b>127551</b>	<i>P2B-SCEZ-50M-PCR</i>	@	<i>P2B-SCEZ-50M-P</i>

@ Assembled to order

\* 20 piece minimum

# SELECTION/DIMENSIONS



## E-Z KLEEN Mounted Bearings SCEZ Normal Duty Polymer Housed Pillow Blocks

ULTRA KLEEN

E-Z KLEEN

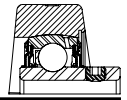
EXTREME DUTY

IMPERIAL-HD

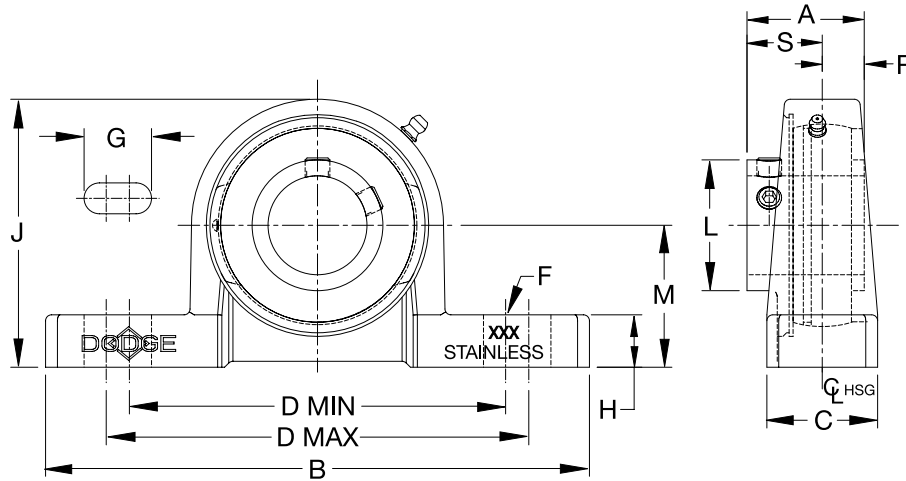
S2000-HD

PART NUMBER INDEX

Size	Shaft Series	Weight lbs kg	A	B	C	D		F Bolt Dia.	G	H	J	L	M	R	S
						min.	max.								
204	1/2	0.68	1-5/32	5-1/32	1-31/64	3-43/64	3-59/64	3/8	19/32	39/64	2-5/8	1-1/8	1-5/16	27/64	47/64
	5/8	0.66													
	3/4	0.64													
	20 mm	0.30	29.4	127.8	37.7	93.3	99.6	M10	15.1	15.5	66.7	28.6	33.3	10.7	18.7
205	7/8	0.73	1-3/16	5-1/2	1-31/64	3-31/32	4-13/64	3/8	19/32	39/64	2-55/64	1-21/64	1-7/16	27/64	49/64
	15/16	0.71													
	1	0.69													
	25 mm	0.32	30.2	139.7	37.7	100.8	106.8	M10	15.1	15.5	72.6	33.7	36.5	10.7	19.4
206	1-1/8	1.15	1-25/64	6-5/16	1-25/32	4-39/64	4-57/64	1/2	23/32	45/64	3-11/32	1-37/64	1-11/16	31/64	29/32
	1-3/16	1.13													
	1-1/4	1.11													
	30 mm	0.51	35.3	160.3	45.2	116.9	124.2	M12	18.3	17.9	84.9	40.1	42.9	12.3	23
207	1-1/4	1.68	1-17/32	6-35/64	1-7/8	4-13/16	5-1/8	1/2	23/32	23/32	3-57/64	1-27/32	1-7/8	1/2	1-1/32
	1-5/16	1.63													
	1-3/8	1.58													
	35 mm	0.74	38.9	166.3	47.8	122.2	130.2	M12	18.3	18.3	98.8	46.8	47.6	12.7	26.2
208	1-1/2	2.08	1-11/16	7-13/64	2-7/64	5-7/64	5-41/64	1/2	7/8	49/64	4-11/64	2-3/64	1-15/16	19/32	1-3/32
	1-5/8	2.00													
	40 mm	0.88	42.9	183.0	53.6	129.6	143.3	M12	22.2	19.4	106	52	49.2	15.1	27.8
209	1-5/8	2.41	1-23/32	7-13/64	2-7/64	5-27/64	5-31/32	1/2	7/8	27/32	4-5/16	2-7/32	2-1/8	19/32	1-1/8
	1-11/16	2.34													
	1-3/4	2.27													
	45 mm	1.03	43.7	183.0	53.6	137.7	151.6	M12	22.2	21.4	109.5	56.4	54	15.1	28.6
210	1-15/16	2.65	1-3/4	8-1/16	2-23/64	6	6-9/16	5/8	1	59/64	4-9/16	2-7/16	2-1/4	19/32	1-5/32
	2	2.58													
	50 mm	1.30	44.5	204.8	59.9	152.4	166.7	M16	25.4	23.4	115.9	61.9	57.2	15.1	29.4



**E-Z KLEEN Mounted Bearings**  
**SCEZ Normal Duty Stainless Steel Housed Pillow Blocks**



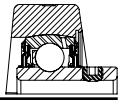
Series	Shaft Size	With Corrosion Resistant Insert		Standard Insert with Fingers	
		Part No.	Description	Part No.	Description
204	1/2	@	P2B-SCEZ-008L-SHCR	@	P2B-SCEZ-008L-SH
	5/8	<b>068236</b>	P2B-SCEZ-010L-SHCR*	@	P2B-SCEZ-010L-SH
	3/4	<b>127670</b>	P2B-SCEZ-012-SHCR	<b>059870</b>	P2B-SCEZ-012-SH
	20mm	<b>127697</b>	P2B-SCEZ-20M-SHCR	@	P2B-SCEZ-20M-SH
205	7/8	<b>056553</b>	P2B-SCEZ-014-SHCR*	<b>049996</b>	P2B-SCEZ-014-SH
	15/16	<b>067839</b>	P2B-SCEZ-015-SHCR*	@	P2B-SCEZ-015-SH
	1	<b>127671</b>	P2B-SCEZ-100-SHCR	<b>056796</b>	P2B-SCEZ-100-SH
	25mm	<b>127698</b>	P2B-SCEZ-25M-SHCR	@	P2B-SCEZ-25M-SH
206	1-1/8	@	P2B-SCEZ-102-SHCR*	<b>056548</b>	P2B-SCEZ-102-SH
	1-3/16	<b>127672</b>	P2B-SCEZ-103-SHCR	<b>056797</b>	P2B-SCEZ-103-SH
	1-1/4	<b>127674</b>	P2B-SCEZ-104S-SHCR	<b>067630</b>	P2B-SCEZ-104S-SH
	30mm	@	P2B-SCEZ-30M-SHCR	@	P2B-SCEZ-30M-SH
206 (SCU)	1-1/8	@	P2B-SCUEZ-102-SHCR*	@	P2B-SCUEZ-102-SH
	1-3/16	<b>127673</b>	P2B-SCUEZ-103-SHCR	@	P2B-SCUEZ-103-SH
	1-1/4	<b>127675</b>	P2B-SCUEZ-104S-SHCR	@	P2B-SCUEZ-104S-SH
	30mm	<b>127699</b>	P2B-SCUEZ-30M-SHCR	@	P2B-SCUEZ-30M-SH

@ Assembled to order \* 20 piece minimum

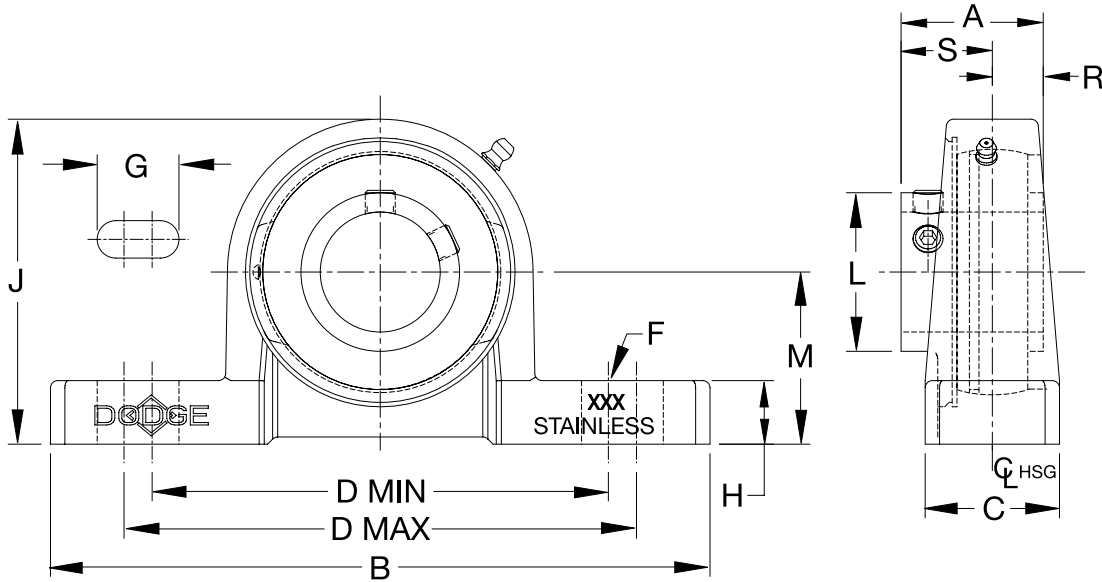
Series	Shaft Size	Weight lbs kg	A	B	C	D		F Bolt Dia.	G	H	J	L	M	R	S
						min.	max.								
204	1/2	1.39	1-5/32	5	1	3-3/8	4-3/16	3/8	27/32	1/2	2-1/2	1-1/8	1-5/16	27/64	47/64
	5/8	1.35													
	3/4	1.31													
	20mm	0.59	29.4	127.0	25.4	85.7	106.4	M10	21.4	12.7	63.5	28.6	33.3	10.7	18.7
205	7/8	1.65	1-3/16	5-1/2	1-1/8	3-11/16	4-1/2	3/8	27/32	17/32	2-23/32	1-21/64	1-7/16	27/64	49/64
	15/16	1.62													
	1	1.59													
	25mm	0.73	30.2	139.7	28.6	93.7	114.3	M10	21.4	13.5	69.1	33.7	36.5	10.7	19.4
206	1-1/8	2.37	1-25/64	6-1/4	1-1/4	4-17/64	5	1/2	15/16	17/32	3-1/8	1-37/64	1-5/8	31/64	29/32
	1-3/16	2.33													
	1-1/4	2.29													
	30mm	1.06	35.3	158.8	31.8	108.3	127	M12	23.8	13.5	79.4	40.1	41.3	12.3	23
206 (SCU)	1-1/8	2.48	1-25/64	6-1/4	1-1/4	4-17/64	5	1/2	15/16	19/32	3-3/16	1-37/64	1-11/16	31/64	29/32
	1-3/16	2.44													
	1-1/4	2.39													
	30mm	1.11	35.3	158.8	31.8	108.3	127	M12	23.8	15.1	81	40.1	42.9	12.3	23



# SELECTION/DIMENSIONS



## E-Z KLEEN Mounted Bearings SCEZ Normal Duty Stainless Steel Housed Pillow Blocks

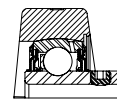


Series	Shaft Size	With Corrosion Resistant Insert		Standard Insert with Flingers	
		Part No.	Description	Part No.	Description
207	1-1/4	<b>127676</b>	P2B-SCEZ-104-SHCR	<b>059798</b>	P2B-SCEZ-104-SH
	1-3/8	@	P2B-SCEZ-106-SHCR*	<b>056525</b>	P2B-SCEZ-106-SH
	1-7/16	<b>127677</b>	P2B-SCEZ-107-SHCR	<b>059799</b>	P2B-SCEZ-107-SH
	35mm	<b>127700</b>	P2B-SCEZ-35M-SHCR	@	P2B-SCEZ-35M-SH
208	1-1/2	<b>127678</b>	P2B-SCEZ-108-SHCR	<b>056565</b>	P2B-SCEZ-108-SH
	1-5/8	@	P2B-SCEZ-110-SHCR*	<b>062874</b>	P2B-SCEZ-110-SH
	40mm	@	P2B-SCEZ-40M-SHCR	@	P2B-SCEZ-40M-SH
208 (SCB)	1-1/2 40mm	<b>127679</b> <b>127701</b>	P2B-SCBEZ-108-SHCR P2B-SCBEZ-40M-SHCR	@ @	P2B-SCBEZ-108-SH P2B-SCBEZ-40M-SH
210	1-11/16	@	P2B-SCMEZ-111-SHCR	@	P2B-SCMEZ-111-SH
	1-15/16	<b>127680</b>	P2B-SCEZ-115-SHCR	<b>056800</b>	P2B-SCEZ-115-SH
	2	@	P2B-SCEZ-200-SHCR	<b>062879</b>	P2B-SCEZ-200-SH
	50mm	<b>127702</b>	P2B-SCEZ-50M-SHCR	@	P2B-SCEZ-50M-SH

@ Assembled to order

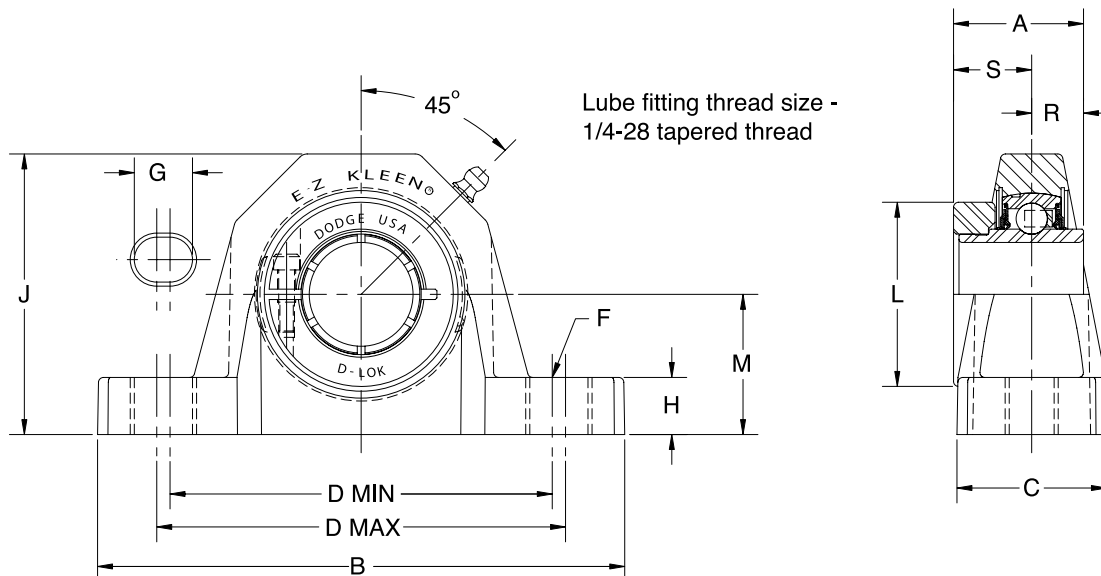
\* 20 piece minimum

Size	Shaft Series	Weight lbs kg	A	B	C	D		F Bolt Dia.	G	H	J	L	M	R	S
						min.	max.								
207	1-1/4	3.36	1-17/32	6-1/2	1-3/8	4-11/16	5-7/16	1/2	15/16	9/16	3-5/8	1-27/32	1-7/8	1/2	1-1/32
	1-3/8	3.25													
	1-7/16	3.19													
	35mm	1.47	38.9	165.1	34.9	119.1	138.1	M12	23.8	14.3	92.1	46.8	47.6	12.7	26.2
208	1-1/2	4.39	1-11/16	7	1-1/2	5-3/16	6	1/2	31/32	3/4	4	2-3/64	2-1/8	19/32	1-3/32
	1-5/8 40mm	1.95	42.9	177.8	38.1	131.8	152.4	M12	24.6	19.1	101.6	52	54	15.1	27.8
208 (SCB)	1-1/2 40mm	3.93 1.74	1-11/16 42.9	7 177.8	1-1/2 38.1	5-3/16 131.8	6 152.4	1/2 M12	31/32 24.6	9/16 14.3	3-13/16 96.8	2-3/64 52	1-15/16 49.2	19/32 15.1	1-3/32 27.8
210	1-11/16	5.14	1-3/4	8	1-5/8	5-49/64	6-11/16	5/8	1-9/64	5/8	4-5/16	2-7/16	2-1/4	19/32	1-5/32
	1-15/16 50mm	5.09 2.29	44.6	203.2	41.3	146.4	169.9	M16	29	15.9	109.5	61.9	57.2	15.1	29.4



# SELECTION/DIMENSIONS

## E-Z KLEEN Mounted Bearings DLEZ Normal Duty Polymer Housed Pillow Blocks

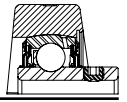


Series	Shaft Size	With Corrosion Resistant Insert		Standard Insert With Fingers	
		Part No.	Description	Part No.	Description
204	3/4 20 mm	127578	P2B-DLEZ-012-PCR	@	P2B-DLEZ-012-P
		127623	P2B-DLEZ-20M-PCR	@	P2B-DLEZ-20M-P
205	7/8 15/16 1 25 mm	@	P2B-DLEZ-014-PCR*	@	P2B-DLEZ-014-P
		@	P2B-DLEZ-015-PCR*	@	P2B-DLEZ-015-P
		127579	P2B-DLEZ-100-PCR	@	P2B-DLEZ-100-P
		127624	P2B-DLEZ-25M-PCR	@	P2B-DLEZ-25M-P
206 (DLU)	1-1/8 1-3/16 1-1/4 30 mm	@	P2B-DLUEZ-102-PCR*	@	P2B-DLUEZ-102-P
		127580	P2B-DLUEZ-103-PCR	@	P2B-DLUEZ-103-P
		127581	P2B-DLUEZ-104S-PCR	@	P2B-DLUEZ-104S-P
		127625	P2B-DLUEZ-30M-PCR	@	P2B-DLUEZ-30M-P
207	1-1/4 1-3/8 1-7/16 35 mm	127582	P2B-DLEZ-104-PCR	@	P2B-DLEZ-104-P
		@	P2B-DLEZ-106-PCR*	@	P2B-DLEZ-106-P
		127583	P2B-DLEZ-107-PCR	@	P2B-DLEZ-107-P
		127626	P2B-DLEZ-35M-PCR	@	P2B-DLEZ-35M-P
208 (DLB)	1-1/2 40 mm	127584	P2B-DLBEZ-108-PCR	@	P2B-DLBEZ-108-P
		127627	P2B-DLBEZ-40M-PCR	@	P2B-DLBEZ-40M-P
209	1-5/8 1-11/16 1-3/4 45 mm	057442	P2B-DLEZ-110L-PCR*	@	P2B-DLEZ-110L-P
		127585	P2B-DLEZ-111-PCR	@	P2B-DLEZ-111-P
		062875	P2B-DLEZ-112-PCR*	@	P2B-DLEZ-112-P
		127628	P2B-DLEZ-45M-PCR	@	P2B-DLEZ-45M-P
210	1-15/16 2 50 mm	127586	P2B-DLEZ-115-PCR	@	P2B-DLEZ-115-P
		058516	P2B-DLEZ-200-PCR	@	P2B-DLEZ-200-P
		127629	P2B-DLEZ-50M-PCR	@	P2B-DLEZ-50M-P

@ Assembled to order

\* 20 piece minimum

# SELECTION/DIMENSIONS



## E-Z KLEEN Mounted Bearings DLEZ Normal Duty Polymer Housed Pillow Blocks

ULTRA KLEEN

E-Z KLEEN

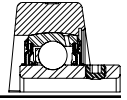
EXTREME DUTY

IMPERIAL-HD

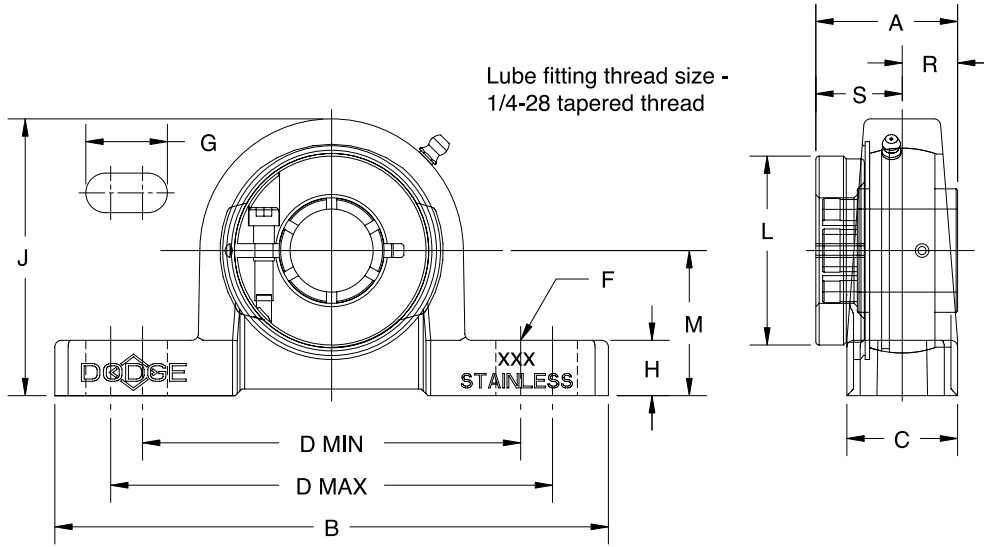
S2000-HD

PART NUMBER INDEX

Size	Shaft Series	Weight lbs kg	A	B	C	D		F Bolt Dia.	G	H	J	L	M	R	S
						min.	max.								
204	3/4	0.92	1-9/32	5-1/32	1-31/64	3-43/64	3-59/64	3/8	19/32	39/64	2-5/8	1-45/64	1-5/16	1/2	25/32
	20 mm	0.42	32.5	127.8	37.7	93.3	99.6	M10	15.1	15.5	66.7	43.3	33.3	12.7	19.8
205	7/8	1.32	1-7/16	5-1/2	1-31/64	3-31/32	4-13/64	3/8	19/32	39/64	2-55/64	2	1-7/16	9/16	7/8
	15/16	1.22													
	1	1.12													
206 (DLU)	25 mm	0.51	36.5	139.7	37.7	100.8	106.8	M10	15.1	15.5	72.6	50.8	36.5	14.3	22.2
	1-1/8	1.83	1-9/16	6-5/16	1-25/32	4-39/64	4-57/64	1/2	23/32	45/64	3-11/32	2-7/32	1-11/16	5/8	15/16
	1-3/16	1.73													
207	1-1/4	1.63													
	1-3/8	2.46	1-3/4	6-35/64	1-7/8	4-13/16	5-1/8	1/2	23/32	23/32	3-57/64	2-11/16	1-7/8	11/16	1-1/16
	1-7/16	2.41													
208 (DLB)	35 mm	1.13	44.5	166.3	47.8	122.2	130.2	M12	18.3	18.3	98.8	68.3	47.6	17.5	27.0
	1-1/2	3.01	2	7-13/64	2-7/64	5-7/64	5-41/64	1/2	7/8	49/64	4-11/64	2-47/64	1-15/16	3/4	1-1/4
	40 mm	1.39	50.8	183.0	53.6	129.6	143.3	M12	22.2	19.4	106	69.5	49.2	19.1	31.8
209	1-5/8	3.51	2	7-13/64	2-7/64	5-27/64	5-31/32	1/2	7/8	27/32	4-5/16	2-63/64	2-1/8	3/4	1-1/4
	1-11/16	3.41													
	1-3/4	3.31													
210	45 mm	1.56	50.8	183.0	53.6	137.7	151.6	M12	22.2	21.4	109.5	75.8	54	19.1	31.8
	1-15/16	4.17	2-3/32	8-1/16	2-23/64	6	6-9/16	5/8	1	59/64	4-9/16	3-15/64	2-1/4	3/4	1-11/32
	2	4.07													
210	50 mm	1.68	53.2	204.8	59.9	152.4	166.7	M16	25.4	23.4	115.9	82.2	57.2	19.1	34.1



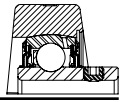
**E-Z KLEEN Mounted Bearings**  
**DLEZ Normal Duty Stainless Steel Housed Pillow Blocks**



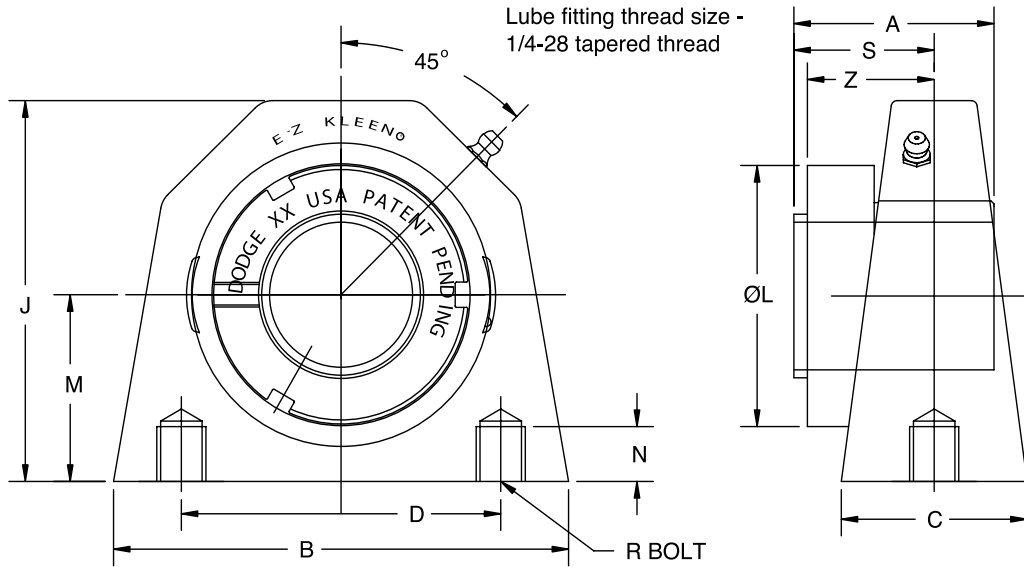
Series	Shaft Size	Part No.	Description	Weight lgs kg	A	B	C	D		F Bolt Dia.	G	H	J	L	M	R	S
								min.	max.								
204	3/4	<b>127715</b>	P2B-DLEZ-012-SHCR	1.46	1-9/32	5	1	3-3/8	4-3/16	3/8	27/32	1/2	2-1/2	1-45/64	1-5/16	1/2	25/32
	20mm	<b>127739</b>	P2B-DLEZ-20M-SHCR	0.65	32.5	127.0	25.4	85.7	106.4	M10	21.4	12.7	63.5	43.3	33.3	12.7	19.8
205	7/8	@	P2B-DLEZ-014-SHCR*	1.92	1-7/16	5-1/2	1-1/8	3-11/16	4-1/2	3/8	27/32	17/32	2-23/32	2	1-7/16	9/16	7/8
	15/16	@	P2B-DLEZ-015-SHCR*	1.87													
	1	<b>127716</b>	P2B-DLEZ-100-SHCR	1.82													
	25mm	<b>127740</b>	P2B-DLEZ-25M-SHCR	0.83	36.5	139.7	28.6	93.7	114.3	M10	21.4	13.5	69.1	50.8	36.5	14.3	22.2
206	1-1/8	@	P2B-DLEZ-102-SHCR*	2.60	1-9/16	6-1/4	1-1/4	4-17/64	5	1/2	15/16	17/32	3-1/8	11-7/26	1-5/8	5/8	15/16
	1-3/16	<b>127717</b>	P2B-DLEZ-103-SHCR	2.55													
	1-1/4	<b>127718</b>	P2B-DLEZ-104S-SHCR	2.50													
	30mm	<b>127741</b>	P2B-DLEZ-30M-SHCR	1.18	39.7	158.8	31.8	108.3	127	M12	23.8	13.5	79.4	56.4	41.3	15.9	23.8
206 (DLU)	1-1/8	@	P2B-DLUEZ-102-SHCR*	2.65	1-9/16	6-1/4	1-1/4	4-17/64	5	1/2	15/16	19/32	3-3/16	2-7/32	1-11/16	5/8	15/16
	1-3/16	@	P2B-DLUEZ-103-SHCR	2.60													
	1-1/4	@	P2B-DLUEZ-104S-SHCR	2.55													
	30mm	@	P2B-DLUEZ-30M-SHCR	1.18	39.7	158.8	31.8	108.3	127	M12	23.8	15.1	81	56.4	42.9	15.9	23.8
207	1-1/4	<b>127719</b>	P2B-DLEZ-104-SHCR	3.83	1-3/4	6-1/2	1-3/8	4-11/16	5-7/16	1/2	15/16	9/16	3-5/8	2-11/16	1-7/8	11/16	1-1/16
	1-3/8	@	P2B-DLEZ-106-SHCR*	3.74													
	1-7/16	<b>127720</b>	P2B-DLEZ-107-SHCR	3.66													
	35mm	<b>127742</b>	P2B-DLEZ-35M-SHCR	1.75	44.5	165.1	34.9	119.1	138.1	M12	23.8	14.3	92.1	68.3	47.6	17.5	27
208	1-1/2	<b>127721</b>	P2B-DLEZ-108-SHCR	4.90	2	7	1-1/2	5-3/16	6	1/2	31/32	3/4	4	2-47/64	2-1/8	3/4	1-1/4
	40mm	<b>127743</b>	P2B-DLEZ-40M-SHCR	2.22	50.8	177.8	38.1	131.8	152.4	M12	24.6	19.1	101.6	69.5	54	19.1	31.8
208 (DLB)	1-1/2	<b>049469</b>	P2B-DLBEZ-108-SHCR	4.85	2	7	1-1/2	5-3/16	6	1/2	31/32	9/16	3-13/16	2-47/64	1-15/16	3/4	1-1/4
	40mm	@	P2B-DLBEZ-40M-SHCR	2.22	50.8	177.8	38.1	131.8	152.4	M12	24.6	14.3	96.8	69.5	49.2	19.1	31.8
210	1-11/16	@	P2B-DLMEZ-111-SHCR*	6.14	2-3/32	8	1-5/8	5-49/64	6-11/16	5/8	1-9/64	5/8	4-5/16	3-15/64	2-1/4	3/4	1-11/32
	1-15/16	<b>127722</b>	P2B-DLEZ-115-SHCR	5.77													
	50mm	<b>127744</b>	P2B-DLEZ-50M-SHCR	2.62	53.2	203.2	41.3	146.4	169.9	M16	29	15.9	109.5	82.2	57.2	19.1	34.1

@ Assembled to order

\* 20 piece minimum



**E-Z KLEEN Mounted Bearings**  
**GTEZ Normal Duty Polymer Housed Tapped Base Pillow Blocks**

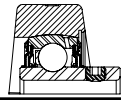


Series	Shaft Size	Complete Unit		Unit Without Adapter		Adapter & Nut Assembly	
		Part No.	Description	Part No.	Description	Part No.	Description
204	3/4 20mm	129291	TB-GTEZ-012-PCR	129537	TB-GTEZ-04-PCR	129967	AN-GT-04-012-CR
		129292	TB-GTEZ-20M-PCR	129988	TB-GTEZ-04M-PCR	129980	AN-GT-04-20M-CR
205	1 25mm	129293	TB-GTEZ-100-PCR	129538	TB-GTEZ-05-PCR	129968	AN-GT-05-100-CR
		129294	TB-GTEZ-25M-PCR	129989	TB-GTEZ-05M-PCR	129981	AN-GT-05-25M-CR
206	1 -1/8	@	TB-GTEZ-102-PCR	129539	TB-GTEZ-06-PCR	129969	AN-GT-06-102-CR
	1 -3/16	129295	TB-GTEZ-103-PCR			129970	AN-GT-06-103-CR
	1-1/4	129296	TB-GTEZ-104S-PCR			129971	AN-GT-06-104S-CR
	30mm	129297	TB-GTEZ-30M-PCR			129982	AN-GT-06-30M-CR
207	1-1/4	129298	TB-GTEZ-104-PCR	129540	TB-GTEZ-07-PCR	129972	AN-GT-07-104-CR
	1 -3/8	@	TB-GTEZ-106-PCR			129973	AN-GT-07-106-CR
	1 -7/16	129299	TB-GTEZ-107-PCR			129974	AN-GT-07-107-CR
	35mm	129300	TB-GTEZ-35M-PCR			129983	AN-GT-07-35M-CR

@ Assembled to order

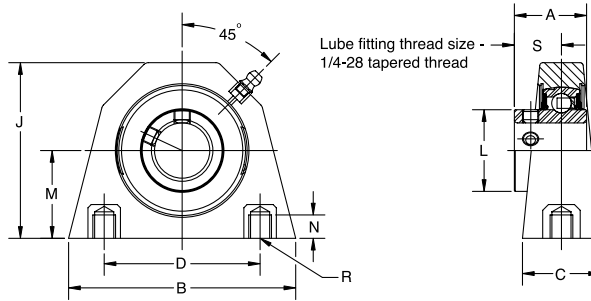
Series	Shaft Size	Weight Lbs kg	A	B	C	D	J	L	M	N Thread Depth	R Bolt Hole Threads	S#	Z
204	3/4 20 mm	0.88	1-15/32	3-1/4	1-31/64	2	2-21/32	1-1/2	1-5/16	13/32	3/8-16	63/64	1-3/64
		0.41	37.3	82.6	37.7	50.8	67.6	38.1	33.3	10.2	M10x1.5	25.0	26.7
205	1 25 mm	1.01	1-29/64	3-1/4	1-1/2	2	2-57/64	1-51/64	1-7/16	13/32	3/8-16	61/64	1-1/64
		0.47	36.9	82.6	37.7	50.8	73.3	45.6	36.5	10.2	M10x1.5	24.2	25.9
206	1-1/8	1.79	1-39/64	4-3/8	1-37/64	3	3-3/8	2-5/64	1-11/16	29/64	7/16-14	1-5/64	1-1/8
	1-3/16	1.69											
	1-1/4 30 mm	1.59 0.77	40.9	111.1	40.1	76.2	85.9	52.8	42.9	11.4	M10x1.5	27.4	28.7
207	1-1/4	2.62	1-5/8	4-5/8	1-57/64	3-1/4	3-13/16	2-3/8	1-7/8	35/64	1/2-13	1-1/16	1-9/64
	1-3/8	2.42											
	1-7/16 35 mm	2.32 1.11	41.3	117.5	48.0	82.6	97.2	60.3	47.6	14.0	M12x1.75	27.0	29.1

#S dimension will vary slightly depending on true shaft diameter



# SELECTION/DIMENSIONS

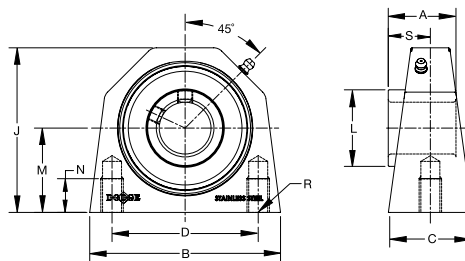
## E-Z KLEEN Mounted Bearings SCEZ Normal Duty Polymer Housed Tapped Base Pillow Blocks



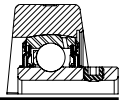
Series	Shaft Size	With Corrosion Resistant Insert		Standard Insert With Flingers		Weight lbs kg	A	B	C	D	J	L	M	N Thread Depth	R Bolt Hole Threads	S
		Part No.	Description	Part No.	Description											
204	1/2	@	TB-SCEZ-008L-PCR*	@	TB-SCEZ-008L-P	0.74	1-5/32	3-1/4	1-31/64	2	2-21/32	1-1/8	1-5/16	13/32	3/8-16	47/64
	5/8	@	TB-SCEZ-010L-PCR*	@	TB-SCEZ-010L-P	0.66										
	3/4	<b>127509</b>	TB-SCEZ-012-PCR	@	TB-SCEZ-012-P	0.60										
	20 mm	<b>127552</b>	TB-SCEZ-20M-PCR	@	TB-SCEZ-20M-P	0.29	29.4	82.6	37.7	50.8	67.6	28.6	33.3	10.2	M10x1.5	18.7
205	7/8	@	TB-SCEZ-014-PCR*	@	TB-SCEZ-014-P	0.72	1-3/16	3-1/4	1-1/2	2	2-57/64	1-21/64	1-7/16	13/32	3/8-16	49/64
	15/16	@	TB-SCEZ-015-PCR*	@	TB-SCEZ-015-P	0.64										
	1	<b>127510</b>	TB-SCEZ-100-PCR	@	TB-SCEZ-100-P	0.58										
	25 mm	<b>127553</b>	TB-SCEZ-25M-PCR	@	TB-SCEZ-25M-P	0.28	30.2	82.6	38.1	50.8	73.3	33.7	36.5	10.2	M10x1.5	19.4
206	1-1/8	@	TB-SCEZ-102-PCR*	@	TB-SCEZ-102-P	1.16	1-25/64	4-3/8	1-37/64	3	3-3/8	1-37/64	1-11/16	29/64	7/16-14	29/32
	1-3/16	<b>127511</b>	TB-SCEZ-103-PCR	@	TB-SCEZ-103-P	1.09										
	1-1/4	<b>127512</b>	TB-SCEZ-104S-PCR	<b>058632</b>	TB-SCEZ-104S-P	1.07										
	30 mm	<b>127554</b>	TB-SCEZ-30M-PCR	@	TB-SCEZ-30M-P	0.49	35.3	111.1	40.1	76.2	85.9	40.1	42.9	11.4	M10x1.5	23.0
207	1-1/4	<b>127513</b>	TB-SCEZ-104-PCR	@	TB-SCEZ-104-P	1.64	1-17/32	4-5/8	1-57/64	3-1/4	3-13/16	1-27/32	1-7/8	35/64	1/2-13	1-1/32
	1-5/16	@	TB-SCEZ-105-PCR*	@	TB-SCEZ-105-P	1.58										
	1-3/8	<b>056577</b>	TB-SCEZ-106-PCR*	@	TB-SCEZ-106-P	1.53										
	1-7/16	<b>127514</b>	TB-SCEZ-107-PCR	@	TB-SCEZ-107-P	1.48										
35 mm	<b>127555</b>	TB-SCEZ-35M-PCR	@	TB-SCEZ-35M-P	0.72	38.9	117.5	48.0	82.6	97.2	46.8	47.6	14.0	M12x1.75	26.2	

@ Assembled to order \*20 piece minimum

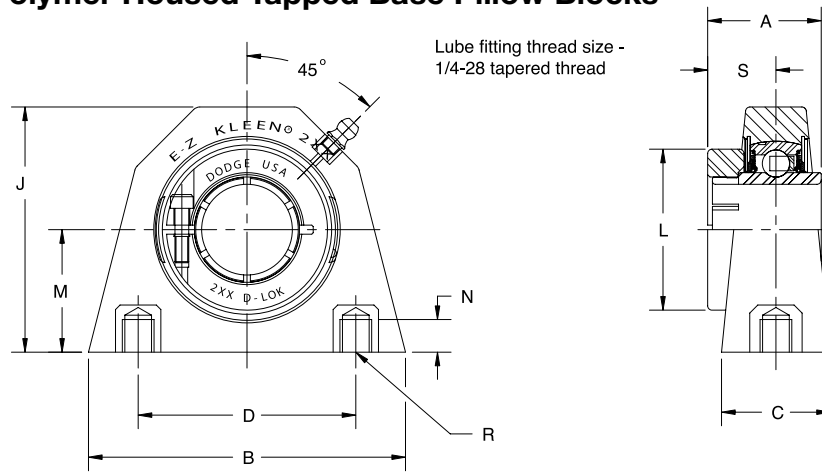
## SCEZ TB SHCR Normal Duty Stainless Steel Tapped Base Bearings



Series	Shaft Size	Corrosion Resistant Insert		Weight lbs kg	A	B	C	D	J	L	M	N	R	S
		Part No.	Description											
204	3/4	<b>136912</b>	TB-SCEZ-012-SHCR	1.27	1-5/32	2-7/8	1-31/64	2	2-1/2	1-1/8	1-5/16	29/64	3/8-16	47/64
	20 mm	<b>136955</b>	TB-SCEZ-20M-SHCR	.58	29.4	73.0	37.6	50.8	63.6	28.6	33.3	11.4	M8x1.25	18.7
205	1	<b>136913</b>	TB-SCEZ-100-SHCR	1.48	1-3/16	3	1-31/64	2	2-3/4	1-21/64	1-7/16	29/64	3/8-16	47/64
	25 mm	<b>136956</b>	TB-SCEZ-25M-SHCR	.67	30.2	76.2	37.9	50.8	69.8	33.7	36.5	11.4	M10x1.5	19.4
206	1-3/16	<b>136914</b>	TB-SCEZ-103-SHCR	3.55	1-25/64	4	1-9/16	3	3-7/32	1-37/64	1-11/16	7/8	7/16-14	1-11/16
	1-1/4	<b>136915</b>	TB-SCEZ-104S-SHCR											
	30 mm	<b>136957</b>	TB-SCEZ-30M-SHCR	10.61	35.3	101.6	39.9	76.2	81.72	40.1	42.9	22.2	M10x1.5	42.9
207	1-1/4	<b>136916</b>	TB-SCEZ-104-SHCR	4.21	1-7/32	4-1/4	1-7/8	3-1/4	3-21/32	1-27/32	1-7/8	3/4	1/2-13	1-1/32
	1-7/16	<b>136917</b>	TB-SCEZ-107-SHCR											
	35 mm	<b>136958</b>	TB-SCEZ-35M-SHCR	1.91	38.9	108.0	47.6	82.6	93.0	46.8	47.6	19.1	M10x1.5	26.2
208	1-1/2	<b>136918</b>	TB-SCEZ-108-SHCR	5.67	1-11/16	4-5/8	1-7/8	3-1/2	4	2-3/64	2-1/8	1	1/2-13	1-3/32
	40 mm	<b>136959</b>	TB-SCEZ-40M-SHCR	2.57	42.9	117.5	47.6	88.9	101.6	52.0	54.0	25.4	M12x1.75	27.8
210	1-15/16	<b>136919</b>	TB-SCEZ-115-SHCR	5.58	1-3/4	5-1/2	2	4	4-15/32	2-7/16	2-1/4	1-1/4	5/8-11	1-5/32
	50mm	<b>136960</b>	TB-SCEZ-50M-SHCR	2.53	44.5	139.7	50.8	101.6	113.5	61.9	57.2	31.8	M16x2	29.4



**E-Z KLEEN Mounted Bearings**  
**DLEZ Normal Duty Polymer Housed Tapped Base Pillow Blocks**

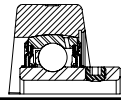


Series	Shaft Size	With Corrosion Resistant Insert		Standard Insert With Fingers	
		Part No.	Description	Part No.	Description
204	3/4	<b>127587</b>	TB-DLEZ-012-PCR	@	TB-DLEZ-012-P
	20 mm	<b>127630</b>	TB-DLEZ-20M-PCR	@	TB-DLEZ-20M-P
205	7/8	@	TB-DLEZ-014-PCR*	@	TB-DLEZ-014-P
	15/16	@	TB-DLEZ-015-PCR*	@	TB-DLEZ-015-P
	1	<b>127588</b>	TB-DLEZ-100-PCR	@	TB-DLEZ-100-P
	25 mm	<b>127631</b>	TB-DLEZ-25M-PCR	@	TB-DLEZ-25M-P
206	1-1/8	@	TB-DLEZ-102-PCR*	@	TB-DLEZ-102-P
	1-3/16	<b>127589</b>	TB-DLEZ-103-PCR	@	TB-DLEZ-103-P
	1-1/4	<b>127590</b>	TB-DLEZ-104S-PCR	@	TB-DLEZ-104S-P
	30 mm	<b>127632</b>	TB-DLEZ-30M-PCR	@	TB-DLEZ-30M-P
207	1-1/4	<b>127591</b>	TB-DLEZ-104-PCR	@	TB-DLEZ-104-P
	1-3/8	@	TB-DLEZ-106-PCR*	@	TB-DLEZ-106-P
	1-7/16	<b>127592</b>	TB-DLEZ-107-PCR	@	TB-DLEZ-107-P
	35 mm	<b>127633</b>	TB-DLEZ-35M-PCR	@	TB-DLEZ-35M-P

@ Assembled to order

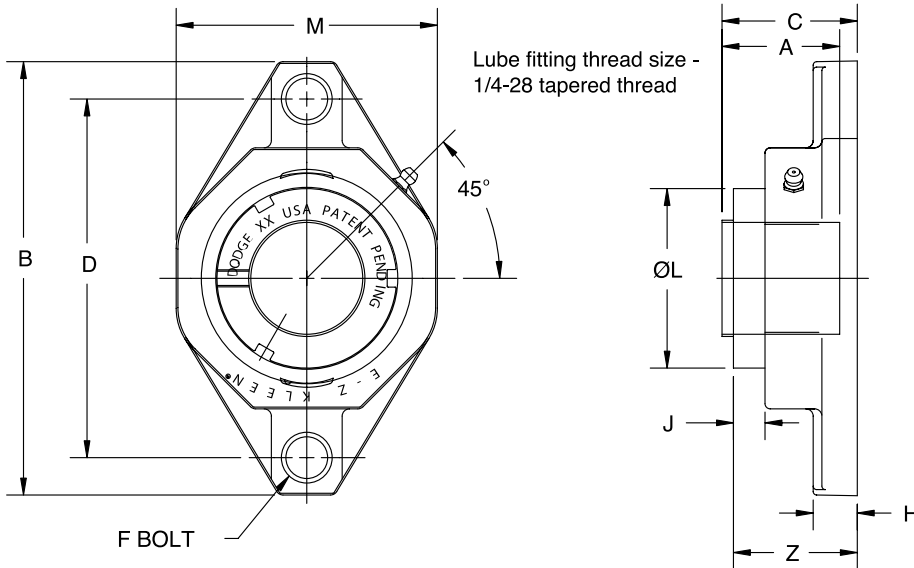
\*20 piece minimum

Series	Shaft Size	Weight lbs kg	A	B	C	D	J	L	M	N Thread Depth	R Bolt Hole Threads	S
204	3/4	0.88	1-9/32	3-1/4	1-31/64	2	2-21/32	1-45/64	1-5/16	13/32	3/8-16	25/32
	20 mm	0.41	32.5	82.6	37.7	50.8	67.6	43.3	33.3	10.2	M10x1.5	19.8
205	7/8	1.12	1-7/16	3-1/4	1-1/2	2	2-57/64	2	1-7/16	13/32	3/8-16	7/8
	15/16	1.11										
	1	1.01										
	25 mm	0.47	36.5	82.6	38.1	50.8	73.3	50.8	36.5	10.2	M10x1.5	22.2
206	1-1/8	1.79	1-9/16	4-3/8	1-37/64	3	3-3/8	2-7/32	1-11/16	29/64	7/16-14	15/16
	1-3/16	1.69										
	1-1/4	1.59										
	30 mm	0.77	39.7	111.1	40.1	76.2	85.9	56.4	42.9	11.4	M10x1.5	23.8
207	1-1/4	2.62	1-3/4	4-5/8	1-57/64	3-1/4	3-13/16	2-11/16	1-7/8	35/64	1/2-13	1-1/16
	1-3/8	2.42										
	1-7/16	2.32										
	35 mm	1.11	44.5	117.5	48.0	82.6	97.2	68.3	47.6	14.0	M12x1.75	27.0



# SELECTION/DIMENSIONS

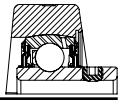
## E-Z KLEEN Mounted Bearings GTEZ Normal Duty Polymer Housed 2 Bolt Flange Bearings



Series	Shaft Size	Complete Unit		Unit Without Adapter		Adapter & Nut Assembly	
		Part No.	Description	Part No.	Description	Part No.	Description
204	3/4 20mm	<b>129339</b>	F2B-GTEZ-012-PCR	<b>129548</b>	F2B-GTEZ-04-PCR	<b>129967</b>	AN-GT-04-012-CR
		<b>129340</b>	F2B-GTEZ-20M-PCR			<b>129980</b>	AN-GT-04-20M-CR
205	1 25mm	<b>129341</b>	F2B-GTEZ-100-PCR	<b>129549</b>	F2B-GTEZ-05-PCR	<b>129968</b>	AN-GT-05-100-CR
		<b>129342</b>	F2B-GTEZ-25M-PCR			<b>129981</b>	AN-GT-05-25M-CR
206	1 -1/8	@	F2B-GTEZ-102-PCR	<b>129550</b>	F2B-GTEZ-06-PCR	<b>129969</b>	AN-GT-06-102-CR
	1 -3/16	<b>129343</b>	F2B-GTEZ-103-PCR			<b>129970</b>	AN-GT-06-103-CR
	1 -1/4	<b>129344</b>	F2B-GTEZ-104S-PCR			<b>129971</b>	AN-GT-06-104S-CR
	30mm	<b>129345</b>	F2B-GTEZ-30M-PCR			<b>129982</b>	AN-GT-06-30M-CR
207	1 -1/4	<b>129346</b>	F2B-GTEZ-104-PCR	<b>129551</b>	F2B-GTEZ-07-PCR	<b>129972</b>	AN-GT-07-104-CR
	1 -3/8	@	F2B-GTEZ-106-PCR			<b>129973</b>	AN-GT-07-106-CR
	1 -7/16	<b>129347</b>	F2B-GTEZ-107-PCR			<b>129974</b>	AN-GT-07-107-CR
	35mm	<b>129348</b>	F2B-GTEZ-35M-PCR			<b>129983</b>	AN-GT-07-35M-CR
208	1 -1/2	<b>129349</b>	F2B-GTEZ-108-PCR	<b>129552</b>	F2B-GTEZ-08-PCR	<b>129975</b>	AN-GT-08-108-CR
	40mm	<b>129350</b>	F2B-GTEZ-40M-PCR			<b>129984</b>	AN-GT-08-40M-CR
209	1 -11/16	<b>129351</b>	F2B-GTEZ-111-PCR	<b>129553</b>	F2B-GTEZ-09-PCR	<b>129976</b>	AN-GT-09-111-CR
	1 -3/4	<b>064147</b>	F2B-GTEZ-112-PCR			<b>129977</b>	AN-GT-09-112-CR
	45mm	<b>129352</b>	F2B-GTEZ-45M-PCR			<b>129985</b>	AN-GT-09-45M-CR
210	1 -15/16	<b>129353</b>	F2B-GTEZ-115-PCR	<b>129554</b>	F2B-GTEZ-10-PCR	<b>129978</b>	AN-GT-10-115-CR
	2	<b>064503</b>	F2B-GTEZ-200-PCR			<b>129979</b>	AN-GT-10-200-CR
	50mm	<b>129354</b>	F2B-GTEZ-50M-PCR			<b>129986</b>	AN-GT-10-50M-CR

@ Assembled to order





**E-Z KLEEN Mounted Bearings**  
**GTEZ Normal Duty Polymer Housed 2 Bolt Flange Bearings**

ULTRA KLEEN

E-Z KLEEN

EXTREME DUTY

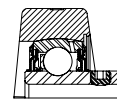
IMPERIAL-HD

S2000-HD

PART NUMBER INDEX

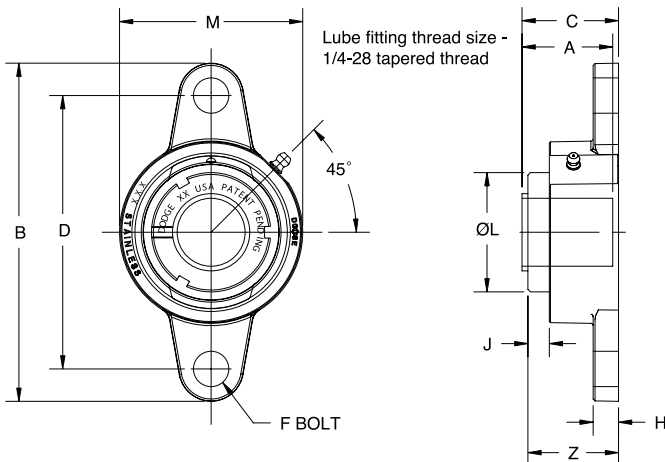
Size	Shaft Series	Weight lbs kg	A	B	C#	D	F Bolt Dia.	H	J	L	M	Z
204	3/4	0.77	1-15/32	4-29/64	1-45/64	3-17/32	3/8	17/32	37/64	1-1/2	2-23/64	1-3/4
	20 mm	0.36	37.3	113.1	43.3	89.7	M10	13.5	14.7	38.1	59.9	44.5
205	1	1.01	1-29/64	4-59/64	1-11/16	3-57/64	3/8	35/64	17/32	1-51/64	2-23/32	1-3/4
	25 mm	0.47	36.9	125.0	42.9	98.8	M10	13.9	13.5	45.6	69.1	44.5
206	1-1/8	1.56	1-39/64	5-19/32	1-53/64	4-19/32	3/8	39/64	35/64	2-5/64	3-13/64	1-7/8
	1-3/16	1.46										
	1-1/4	1.36										
	30 mm	0.57	40.9	142.1	46.4	116.7	M10	15.5	13.9	52.8	81.4	47.6
207	1-1/4	2.18	1-5/8	6-5/16	1-27/32	5-1/8	1/2	5/8	35/64	2-3/8	3-45/64	1-59/64
	1-5/16	2.11										
	1-7/16	2.08										
	35 mm	1.00	41.3	160.3	46.8	130.2	M12	15.9	13.9	60.3	94.1	48.8
208	1-1/2	2.75	1-27/32	6-25/32	2-5/64	5-21/32	1/2	43/64	37/64	2-5/8	4-1/16	2-1/8
	40 mm	1.26	46.8	172.2	52.8	143.7	M12	17.1	14.7	66.7	103.2	54.0
209	1-5/8	3.11	1-55/64	7-5/64	2-5/64	5-27/32	9/16	23/32	19/32	2-55/64	4-5/16	2-11/64
	1-11/16	3.07										
	1-3/4	3.04										
	45 mm	1.41	47.2	179.8	52.8	148.4	M14	18.3	15.1	72.6	109.5	55.2
210	1-15/16	3.64	1-55/64	7-31/64	2-15/64	6-3/16	5/8	49/64	39/64	3-1/8	4-1/2	2-5/16
	2	3.60										
	50 mm	1.67	47.2	190.1	56.8	157.2	M16	19.4	15.5	79.4	114.3	58.8

#C dimension will vary slightly depending on true shaft diameter.



# SELECTION/DIMENSIONS

## E-Z KLEEN Mounted Bearings GTEZ Normal Duty Stainless Steel Bolt Flange Bearings

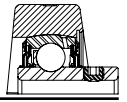


Series	Shaft Size	Complete Unit		Unit Without Adapter		Adapter & Nut Assembly	
		Part No.	Description	Part No.	Description	Part No.	Description
204	3/4 20mm	129355	F2B-GTEZ-012-SHCR	129573	F2B-GTEZ-04-SHCR	129967	AN-GT-04-012-CR
		129356	F2B-GTEZ-20M-SHCR			129980	AN-GT-04-20M-CR
205	1 25mm	129357	F2B-GTEZ-100-SHCR	129574	F2B-GTEZ-05-SHCR	129968	AN-GT-05-100-CR
		129358	F2B-GTEZ-25M-SHCR			129981	AN-GT-05-25M-CR
206	1-1/8	@	F2B-GTEZ-102-SHCR	129575	F2B-GTEZ-06-SHCR	129969	AN-GT-06-102-CR
	1-3/16	129359	F2B-GTEZ-103-SHCR			129970	AN-GT-06-103-CR
	1-1/4	129360	F2B-GTEZ-104S-SHCR			129971	AN-GT-06-104S-CR
	30mm	129361	F2B-GTEZ-30M-SHCR			129982	AN-GT-06-30M-CR
207	1-1/4	129362	F2B-GTEZ-104-SHCR	129576	F2B-GTEZ-07-SHCR	129972	AN-GT-07-104-CR
	1-3/8	065694	F2B-GTEZ-106-SHCR			129973	AN-GT-07-106-CR
	1-7/16	129363	F2B-GTEZ-107-SHCR			129974	AN-GT-07-107-CR
	35mm	129364	F2B-GTEZ-35M-SHCR			129983	AN-GT-07-35M-CR
208	1-1/2	129365	F2B-GTEZ-108-SHCR	129577	F2B-GTEZ-08-SHCR	129975	AN-GT-08-108-CR
	40mm	129366	F2B-GTEZ-40M-SHCR			129984	AN-GT-08-40M-CR
210	1-15/16	129367	F2B-GTEZ-115-SHCR	129578	F2B-GTEZ-10-SHCR	129978	AN-GT-10-115-CR
	2	@	F2B-GTEZ-200-SHCR			129979	AN-GT-10-200-CR
	50mm	129368	F2B-GTEZ-50M-SHCR			129986	AN-GT-10-50M-CR

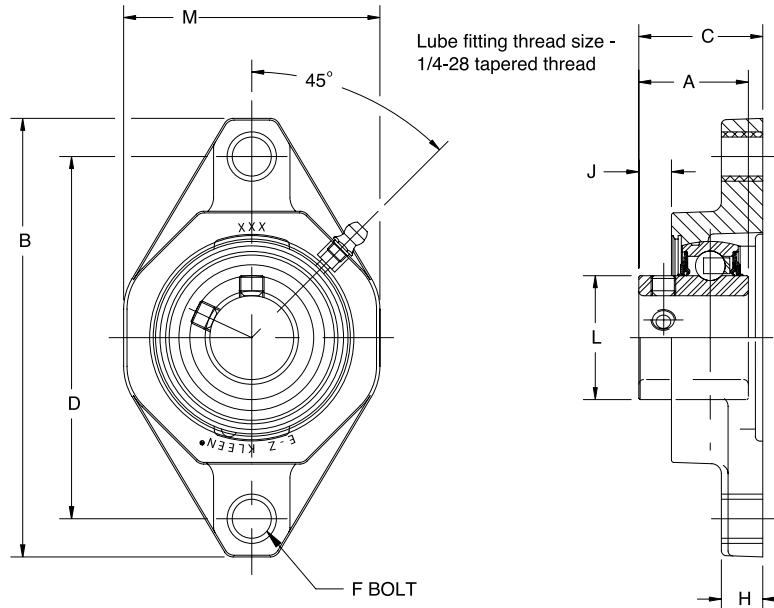
@ Assembled to order

Series	Shaft Size	Weight lbs kg	A	B	C#	D	F Bolt Dia.	H	J	L	M	Z
204	3/4	1.10	1-15/32	4-3/8	1-1/2	3-17/32	3/8	21/64	39/64	1-1/2	2-3/8	1-9/16
	20mm	0.49	37.3	111.1	38.1	89.7	M10	8.3	15.5	38.1	60.3	39.7
205	1	1.43	1-29/64	4-57/64	1-35/64	3-57/64	3/8	23/64	9/16	1-51/64	2-5/8	1-19/32
	25mm	0.65	36.9	124.2	39.3	98.8	M10	9.1	14.3	45.6	66.7	40.5
206	1-1/8	2.21	1-39/64	5-33/64	1-47/64	4-19/32	3/8	23/64	35/64	2-5/64	3-1/8	1-25/32
	1-3/16	2.17										
	1-1/4	2.13										
	30mm	0.98	40.9	140.1	44.1	116.7	M10	9.1	13.9	52.8	79.4	45.2
207	1-1/4	3.12	1-5/8	6-3/16	1-25/32	5-1/8	1/2	27/64	35/64	2-3/8	3-1/2	1-55/64
	1-3/8	2.99										
	1-7/16	2.95										
	35mm	1.42	41.3	157.2	44.8	130.2	M12	10.7	13.9	60.3	88.9	47.2
208	1-1/2	3.91	1-27/32	6-23/32	1-63/64	5-21/32	1/2	27/64	37/64	2-5/8	3-27/32	2-1/32
	40mm	1.77	46.8	170.7	50.4	143.7	M12	10.7	14.7	66.7	97.6	51.6
210	1-15/16	4.89	1-55/64	7-31/64	2	6-3/16	5/8	31/64	19/32	3-1/8	4-5/16	2-5/64
	2	4.85										
	50mm	2.20	47.2	190.1	50.8	157.2	M16	12.3	15.1	79.4	109.5	52.8

#C dimension will vary slightly depending on true shaft diameter.

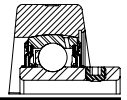


**E-Z KLEEN Mounted Bearings**  
**SCEZ Normal Duty Polymer Housed 2 Bolt Flange Bearings**

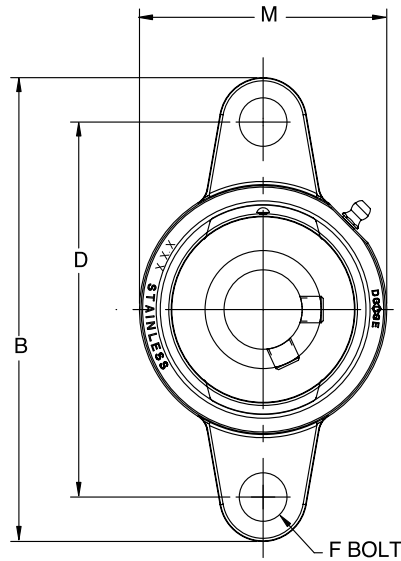


Series	Shaft Size	With Corrosion Resistant Insert		Standard Insert With Fingers		Weight lbs kg	A	B	C	D	F Bolt Dia.	H	J	L	M
		Part No.	Description	Part No.	Description										
204	1/2	<b>059823</b>	F2B-SCEZ-008L-PCR*	@	F2B-SCEZ-008L-P	0.48	1-5/32	4-29/64	1-27/64	3-17/32	3/8	17/32	19/64	1-1/8	2-23/64
	5/8	<b>058792</b>	F2B-SCEZ-010L-PCR*	@	F2B-SCEZ-010L-P	0.44									
	3/4	<b>127524</b>	F2B-SCEZ-012-PCR	<b>058404</b>	F2B-SCEZ-012-P	0.40									
	20 mm	<b>127563</b>	F2B-SCEZ-20M-PCR	@	F2B-SCEZ-20M-P	0.24	29.4	113.0	36.1	90.0	M10	13.5	7.6	28.6	59.9
205	7/8	@	F2B-SCEZ-014-PCR*	@	F2B-SCEZ-014-P	0.64	1-3/16	4-59/64	1-15/32	3-57/64	3/8	35/64	21/64	1-21/64	2-23/32
	15/16	@	F2B-SCEZ-015-PCR*	@	F2B-SCEZ-015-P	0.60									
	1	<b>127525</b>	F2B-SCEZ-100-PCR	<b>057524</b>	F2B-SCEZ-100-P	0.56									
	25 mm	<b>127564</b>	F2B-SCEZ-25M-PCR	@	F2B-SCEZ-25M-P	0.28	30.2	125.0	37.3	99.0	M10	13.9	8.4	33.7	69.1
206	1-1/8	<b>058470</b>	F2B-SCEZ-102-PCR*	@	F2B-SCEZ-102-P	0.88	1-25/64	5-19/32	1-21/32	4-19/32	3/8	39/64	27/64	1-37/64	3-13/64
	1-3/16	<b>127526</b>	F2B-SCEZ-103-PCR	@	F2B-SCEZ-103-P	0.86									
	1-1/4	<b>127527</b>	F2B-SCEZ-104S-PCR	<b>057594</b>	F2B-SCEZ-104S-P	0.84									
	30 mm	<b>127565</b>	F2B-SCEZ-30M-PCR	@	F2B-SCEZ-30M-P	0.39	35.3	142.1	42.1	116.5	M10	13.9	10.6	40.1	81.4
207	1-1/4	<b>127528</b>	F2B-SCEZ-104-PCR	<b>057687</b>	F2B-SCEZ-104-P	1.36	1-17/32	6-5/16	1-51/64	5-1/8	1/2	5/8	33/64	1-27/32	3-45/64
	1-5/16	<b>049380</b>	F2B-SCEZ-105-PCR*	@	F2B-SCEZ-105-P	1.32									
	1-3/8	<b>056893</b>	F2B-SCEZ-106-PCR*	<b>056526</b>	F2B-SCEZ-106-P	1.28									
	1-7/16	<b>127529</b>	F2B-SCEZ-107-PCR	<b>058941</b>	F2B-SCEZ-107-P	1.24									
35 mm	<b>127566</b>	F2B-SCEZ-35M-PCR	@	F2B-SCEZ-35M-P	0.61	38.9	160.3	45.6	130.0	M12	15.9	13.2	46.8	94.1	
208	1-1/2	<b>127530</b>	F2B-SCEZ-108-PCR	<b>056580</b>	F2B-SCEZ-108-P	1.82	1-11/16	6-25/32	1-31/32	5-21/32	1/2	43/64	33/64	2-3/64	4-1/16
	1-5/8	@	F2B-SCEZ-110-PCR*	@	F2B-SCEZ-110-P	1.78									
	40 mm	<b>127567</b>	F2B-SCEZ-40M-PCR	@	F2B-SCEZ-40M-P	0.76	42.9	172.2	50.0	143.5	M12	17.1	13.2	52.0	103.1
209	1-5/8	@	F2B-SCEZ-110L-PCR*	@	F2B-SCEZ-110L-P	2.04	1-23/32	7-5/64	2-1/64	5-27/32	9/16	23/32	9/16	2-7/32	4-5/16
	1-11/16	<b>127531</b>	F2B-SCEZ-111-PCR	@	F2B-SCEZ-111-P	2.00									
	1-3/4	@	F2B-SCEZ-112-PCR	<b>065786</b>	F2B-SCEZ-112-P	1.96									
	45 mm	<b>127568</b>	F2B-SCEZ-45M-PCR	@	F2B-SCEZ-45M-P	0.88	43.7	179.8	51.2	148.5	M14	18.2	14.1	56.4	109.5
210	1-15/16	<b>127532</b>	F2B-SCEZ-115-PCR	<b>058593</b>	F2B-SCEZ-115-P	2.12	1-3/4	7-31/64	2-11/64	6-3/16	5/8	49/64	19/32	2-7/16	4-1/2
	2	<b>049835</b>	F2B-SCEZ-200-PCR	@	F2B-SCEZ-200-P	2.08									
	50 mm	<b>127569</b>	F2B-SCEZ-50M-PCR	@	F2B-SCEZ-50M-P	0.96	44.5	190.1	55.2	157.0	M16	19.4	14.9	61.9	114.3

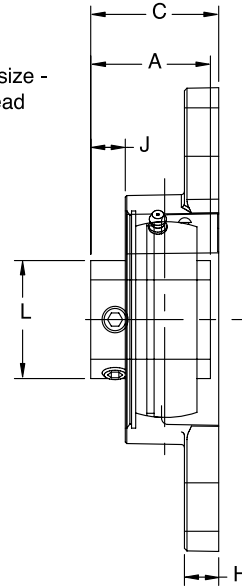
@ Assembled to order \* 20 piece minimum



**E-Z KLEEN Mounted Bearings**  
**SCEZ Normal Duty Stainless Steel 2 Bolt Flange Bearings**



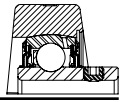
Lube fitting thread size -  
 1/4-28 tapered thread



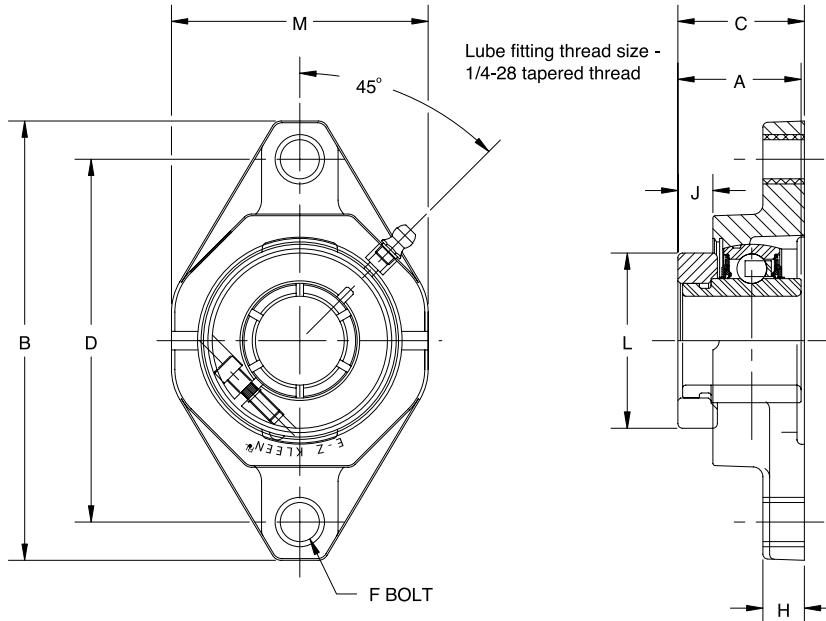
Series	Shaft Size	With Corrosion Resistant Insert		Standard Insert With Flingers		Weight lbs kg	A	B	C	D	F Bot Dia.	H	J	L	M
		Part No.	Description	Part No.	Description										
204	1/2	@	F2B-SCEZ-008L-SHCR*	@	F2B-SCEZ-008L-SH	1.04	1-5/32	4-3/8	1-1/4	3-17/32	3/8	21/64	11/32	1-1/8	2-3/8
	5/8	<b>062994</b>	F2B-SCEZ-010L-SHCR*	@	F2B-SCEZ-010L-SH	0.99									
	3/4	<b>127681</b>	F2B-SCEZ-012-SHCR	<b>056801</b>	F2B-SCEZ-012-SH	0.95									
	20mm	<b>127703</b>	F2B-SCEZ-20M-SHCR	@	F2B-SCEZ-20M-SH	0.42	29.4	111.1	31.8	89.7	M10	8.3	8.7	28.6	60.3
205	7/8	@	F2B-SCEZ-014-SHCR*	@	F2B-SCEZ-014-SH	1.25	1-3/16	4-57/64	1-11/32	3-57/64	3/8	23/64	3/8	1-21/64	2-5/8
	15/16	@	F2B-SCEZ-015-SHCR*	<b>049686</b>	F2B-SCEZ-015-SH	1.23									
	1	<b>127682</b>	F2B-SCEZ-100-SHCR	<b>056611</b>	F2B-SCEZ-100-SH	1.21									
	25mm	<b>127704</b>	F2B-SCEZ-25M-SHCR	@	F2B-SCEZ-25M-SH	0.55	30.2	124.2	34.1	98.8	M10	9.1	9.5	33.7	66.7
206	1-1/8	@	F2B-SCEZ-102-SHCR	@	F2B-SCEZ-102-SH	1.95	1-25/64	5-33/64	1-9/16	4-19/32	3/8	23/64	27/64	1-37/64	3-1/8
	1-3/16	<b>127683</b>	F2B-SCEZ-103-SHCR	<b>056971</b>	F2B-SCEZ-103-SH	1.91									
	1-1/4	<b>127684</b>	F2B-SCEZ-104S-SHCR	<b>056612</b>	F2B-SCEZ-104S-SH	1.87									
	30mm	<b>127705</b>	F2B-SCEZ-30M-SHCR	@	F2B-SCEZ-30M-SH	0.87	35.3	140.1	39.7	116.7	M10	9.1	10.7	40.1	79.4
207	1-1/4	<b>127685</b>	F2B-SCEZ-104-SHCR	<b>056802</b>	F2B-SCEZ-104-SH	2.64	1-17/32	6-3/16	1-3/4	5-1/8	1/2	27/64	17/32	1-27/32	3-1/2
	1-3/8	<b>056734</b>	F2B-SCEZ-106-SHCR*	@	F2B-SCEZ-106-SH	2.53									
	1-7/16	<b>127686</b>	F2B-SCEZ-107-SHCR	<b>056803</b>	F2B-SCEZ-107-SH	2.47									
	35mm	<b>127706</b>	F2B-SCEZ-35M-SHCR	@	F2B-SCEZ-35M-SH	1.15	38.9	157.2	44.5	130.2	M12	10.7	13.5	46.8	88.9
208	1-1/2	<b>127687</b>	F2B-SCEZ-108-SHCR	<b>056804</b>	F2B-SCEZ-108-SH	3.40	1-11/16	6-23/32	1-7/8	5-21/32	1/2	27/64	17/32	2-3/64	3-27/32
	1-5/8	<b>068283</b>	F2B-SCEZ-110-SHCR	—	—	3.10									
	40mm	<b>127707</b>	F2B-SCEZ-40M-SHCR	@	F2B-SCEZ-40M-SH	1.50	42.9	170.7	47.6	143.7	M12	10.7	13.5	52.0	97.6
210	1-11/16	@	F2B-SCMEZ-111-SHCR*	<b>056552</b>	F2B-SCMEZ-111-SH	4.21	1-3/4	7-31/64	1-61/64	6-3/16	5/8	31/64	19/32	2-7/16	4-5/16
	1-15/16	<b>127688</b>	F2B-SCEZ-115-SHCR	<b>056805</b>	F2B-SCEZ-115-SH	4.17									
	2	<b>062913</b>	F2B-SCEZ-200-SHCR	<b>056964</b>	F2B-SCEZ-200-SH	4.13									
	50mm	<b>127708</b>	F2B-SCEZ-50M-SHCR	@	F2B-SCEZ-50M-SH	1.87	44.5	190.1	49.6	157.2	M16	12.3	15.1	61.9	109.5

@ Assembled to order

\*20 piece minimum



**E-Z KLEEN Mounted Bearings**  
**DLEZ Normal Duty Polymer Housed 2 Bolt Flange Bearings**



Series	Shaft Size	With Corrosion Resistant Insert		Standard Insert With Flingers		Weight lbs kg	A	B	C	D	F Bolt Dia.	H	J	L	M
		Part No.	Description	Part No.	Description										
204	3/4	<b>127602</b>	F2B-DLEZ-012-PCR	@	F2B-DLEZ-012-P	0.77	1-9/32	4-29/64	1-15/32	3-17/32	3/8	17/32	23/64	1-45/64	2-23/64
	20 mm	<b>127641</b>	F2B-DLEZ-20M-PCR	@	F2B-DLEZ-20M-P	0.36	32.5	113.0	37.3	90.0	M10	13.5	9.1	43.3	59.9
205	7/8	@	F2B-DLEZ-014-PCR*	@	F2B-DLEZ-014-P	1.09	1-7/16	4-59/64	1-37/64	3-57/64	3/8	35/64	7/16	2	2-23/32
	15/16	@	F2B-DLEZ-015-PCR*	@	F2B-DLEZ-015-P	1.05									
	1	<b>127603</b>	F2B-DLEZ-100-PCR	@	F2B-DLEZ-100-P	1.01									
	25 mm	<b>127642</b>	F2B-DLEZ-25M-PCR	@	F2B-DLEZ-25M-P	0.47	36.5	125.0	40.1	99.0	M10	13.9	11.1	50.8	69.1
206	1-1/8	@	F2B-DLEZ-102-PCR*	@	F2B-DLEZ-102-P	1.56	1-9/16	5-19/32	1-11/16	4-19/32	3/8	39/64	29/64	2-7/32	3-13/64
	1-3/16	<b>127604</b>	F2B-DLEZ-103-PCR	@	F2B-DLEZ-103-P	1.46									
	1-1/4	<b>127605</b>	F2B-DLEZ-104S-PCR	@	F2B-DLEZ-104S-P	1.36									
	30 mm	<b>127643</b>	F2B-DLEZ-30M-PCR	@	F2B-DLEZ-30M-P	0.57	39.7	142.1	42.9	116.5	M10	13.9	11.5	56.4	81.4
207	1-1/4	<b>127606</b>	F2B-DLEZ-104-PCR	@	F2B-DLEZ-104-P	2.18	1-3/4	6-5/16	1-53/64	5-1/8	1/2	5/8	35/64	2-11/16	3-45/64
	1-3/8	@	F2B-DLEZ-106-PCR*	@	F2B-DLEZ-106-P	2.11									
	1-7/16	<b>127607</b>	F2B-DLEZ-107-PCR	@	F2B-DLEZ-107-P	2.08									
	35 mm	<b>127644</b>	F2B-DLEZ-35M-PCR	@	F2B-DLEZ-35M-P	1.00	44.5	160.3	46.4	130.0	M12	15.9	13.9	68.3	94.1
208	1-1/2	<b>127608</b>	F2B-DLEZ-108-PCR	@	F2B-DLEZ-108-P	2.75	2	6-25/32	2-1/8	5-21/32	1/2	43/64	11/16	2-47/64	4-1/16
	40 mm	<b>127645</b>	F2B-DLEZ-40M-PCR	@	F2B-DLEZ-40M-P	1.26	50.8	172.2	54.0	143.5	M12	17.1	17.5	69.5	103.1
209	1-5/8	@	F2B-DLEZ-110L-PCR*	@	F2B-DLEZ-110L-P	3.11	2	7-5/64	2-9/64	5-27/32	9/16	23/32	11/16	2-63/64	4-5/16
	1-11/16	<b>127609</b>	F2B-DLEZ-111-PCR	@	F2B-DLEZ-111-P	3.07									
	1-3/4	@	F2B-DLEZ-112-PCR*	@	F2B-DLEZ-112-P	3.04									
	45 mm	<b>127646</b>	F2B-DLEZ-45M-PCR	@	F2B-DLEZ-45M-P	1.41	50.8	179.8	54.4	148.5	M14	18.2	17.5	75.8	109.5
210	1-15/16	<b>127610</b>	F2B-DLEZ-115-PCR	@	F2B-DLEZ-115-P	3.64	2-3/32	7-31/64	2-23/64	6-3/16	5/8	49/64	25/32	3-15/64	4-1/2
	2	<b>058515</b>	F2B-DLEZ-200-PCR	@	F2B-DLEZ-200-P	3.60									
	50 mm	<b>127647</b>	F2B-DLEZ-50M-PCR	@	F2B-DLEZ-50M-P	1.67	53.2	190.1	59.9	157.0	M16	19.4	19.8	82.1	114.3

@ Assembled to order

\*20 piece minimum

ULTRA KLEEN

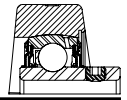
E-Z KLEEN

EXTREME DUTY

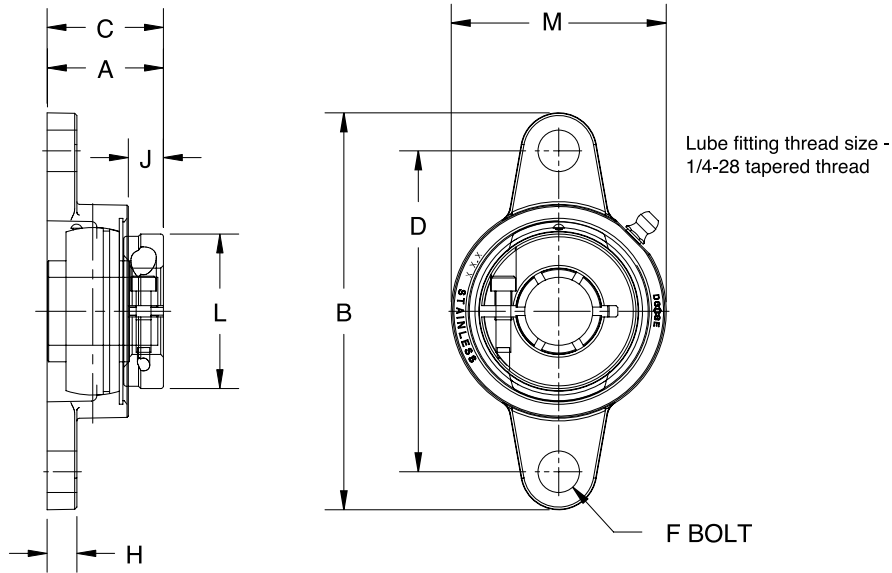
IMPERIAL-HD

S2000-HD

PART NUMBER INDEX



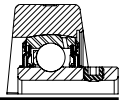
**E-Z KLEEN Mounted Bearings**  
**DLEZ Normal Duty Stainless Steel 2 Bolt Flange Bearings**



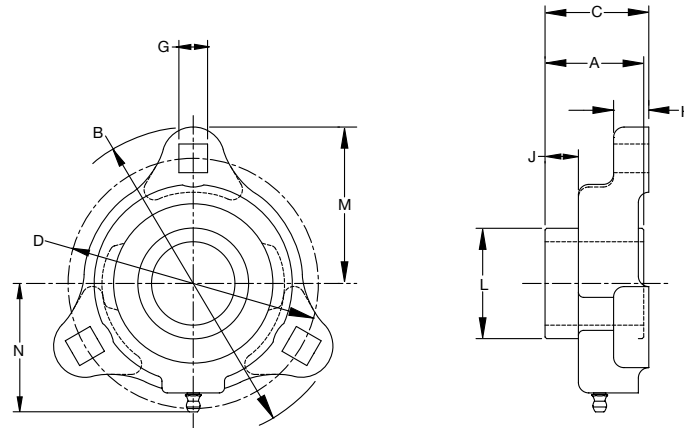
Series	Shaft Size	Part No.	Description	Weight lbs kg	A	B	C	D	F Bolt Dia.	H	J	L	M
204	3/4	<b>127723</b>	F2B-DLEZ-012-SHCR	1.10	1-9/32	4-3/8	1-19/64	3-17/32	3/8	21/64	13/32	1-45/64	2-3/8
	20mm	<b>127745</b>	F2B-DLEZ-20M-SHCR	0.49	32.5	111.1	32.9	89.7	M10	8.3	10.3	43.3	60.3
205	7/8	@	F2B-DLEZ-014-SHCR*	1.51	1-7/16	4-57/64	1-29/64	3-57/64	3/8	23/64	31/64	2	2-5/8
	15/16	@	F2B-DLEZ-015-SHCR*	1.47									
	1	<b>127724</b>	F2B-DLEZ-100-SHCR	1.43									
	25mm	<b>127746</b>	F2B-DLEZ-25M-SHCR	0.65	36.5	124.2	36.9	98.8	M10	9.1	12.3	50.8	66.7
206	1-1/8	@	F2B-DLEZ-102-SHCR	2.21	1-9/16	5-33/64	1-19/32	4-19/32	3/8	23/64	29/64	2-7/32	3-1/8
	1-3/16	<b>127725</b>	F2B-DLEZ-103-SHCR	2.17									
	1-1/4	<b>127726</b>	F2B-DLEZ-104S-SHCR	2.13									
	30mm	<b>127747</b>	F2B-DLEZ-30M-SHCR	0.98	39.7	140.1	40.5	116.7	M10	9.1	11.5	56.4	79.4
207	1-1/4	<b>127727</b>	F2B-DLEZ-104-SHCR	3.12	1-3/4	6-3/16	1-25/32	5-1/8	1/2	27/64	9/16	2-11/16	3-1/2
	1-3/8	@	F2B-DLEZ-106-SHCR*	2.99									
	1-7/16	<b>127728</b>	F2B-DLEZ-107-SHCR	2.95									
	35mm	<b>127748</b>	F2B-DLEZ-35M-SHCR	1.42	44.5	157.2	45.2	130.2	M12	10.7	14.3	68.3	88.9
208	1-1/2	<b>127729</b>	F2B-DLEZ-108-SHCR	3.91	2	6-23/32	2-1/32	5-21/32	1/2	27/64	11/16	2-47/64	3-27/32
	40mm	<b>127749</b>	F2B-DLEZ-40M-SHCR	1.77	50.8	170.7	51.6	143.7	M12	10.7	17.5	69.5	97.6
210	1-11/16	@	F2B-DLMEZ-111-SHCR*	4.89	2-3/32	7-31/64	2-9/64	6-3/16	5/8	31/64	25/32	3-15/64	4-5/16
	1-15/16	<b>127730</b>	F2B-DLEZ-115-SHCR	4.85									
	50mm	<b>127750</b>	F2B-DLEZ-50M-SHCR	2.20	53.2	190.1	54.4	157.2	M16	12.3	19.8	82.2	109.5

@ Assembled to order

\*20 piece minimum

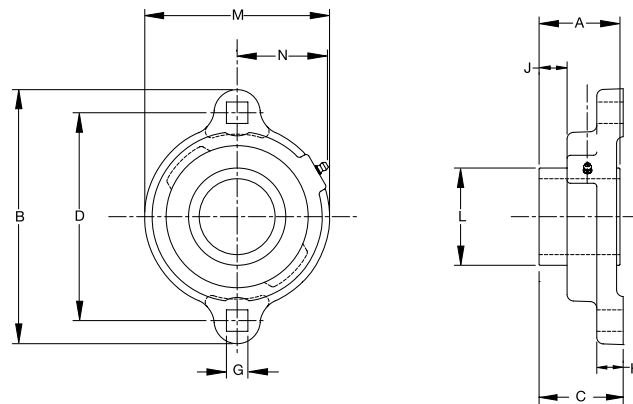


### E-Z KLEEN Mounted Bearings SCEZ LF SHCR Normal Duty Stainless Steel 3 Bolt Flange Bearings

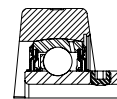


Series	Shaft Size	Corrosion Resistant Insert		Weight lbs. kgs.	A	B	C	D	G	H	J	L	M	N
		Part No.	Description											
204	3/4 20 mm	<b>136927</b>	LF-SCEZ-012-SHCR	.64	1-5/32	3-9/16	1-7/32	2-13/16	11/32	27/64	3/8	1-1/8	1-25/32	1-35/64
		<b>136966</b>	LF-SCEZ-20M-SHCR	.29	29.4	90.5	30.8	71.4	8.7	10.7	9.4	28.6	45.3	39.3
205	1 25 mm	<b>136928</b>	LF-SCEZ-100-SHCR	.80	1-3/16	3-3/4	1-1/4	3	11/32	27/64	3/8	1-21/64	1-7/8	1-43/64
		<b>136967</b>	LF-SCEZ-25M-SHCR	.36	30.2	95.3	31.7	76.2	8.7	10.7	9.5	33.7	47.7	42.4
206	1-3/16 1-1/4 30 mm	<b>136929</b>	LF-SCEZ-103-SHCR	1.23	1-25/64	4-7/16	1-15/32	3-9/16	13/32	15/32	15/32	1-37/64	2-7/32	1-63/64
		<b>136930</b> <b>136968</b>	LF-SCEZ-104S-SHCR LF-SCEZ-30M-SHCR	.56	35.3	112.7	37.1	90.5	10.3	11.9	12.1	40.1	56.4	50.4
207	1-1/4 1-7/16 35 mm	<b>136931</b>	LF-SCEZ-104-SHCR	1.73	1-17/32	4-13/16	1-19/32	3-15/16	13/32	1/2	17/32	1-27/32	2-13/64	2-3/32
		<b>136932</b> <b>136969</b>	LF-SCEZ-107-SHCR LF-SCEZ-35M-SHCR	.78	38.9	122.2	40.6	100.0	10.3	12.7	13.6	46.8	61.1	53.1

### SCEZ SHCR Normal Duty Stainless Steel Housed 2 Bolt Flange Bearings



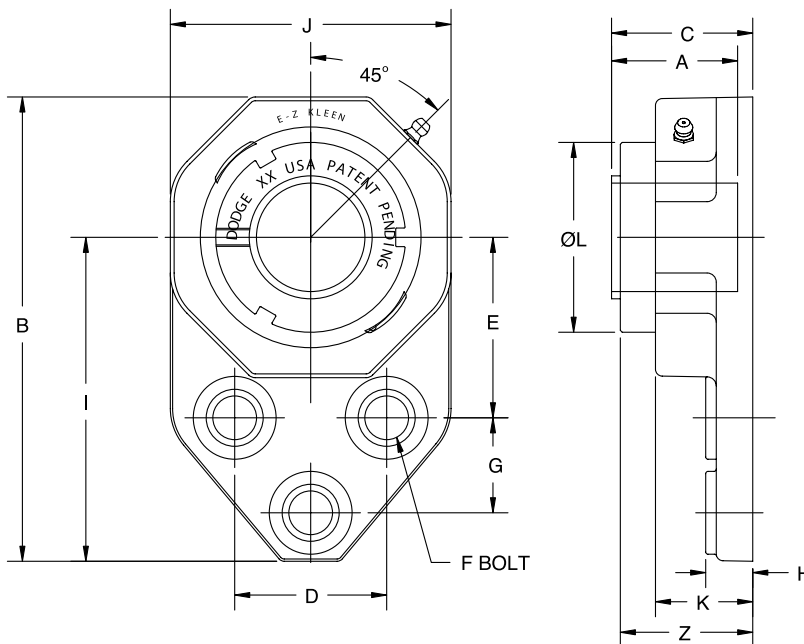
Series	Shaft Size	Corrosion Resistant Insert		Weight lbs. kgs.	A	B	C	D	G	H	J	L	M	N
		Part No.	Description											
204	3/4 20 mm	<b>136933</b>	LFT-SCEZ-012-SHCR	.68	1-5/32	3-9/16	1-7/32	2-13/16	11/32	27/64	3/8	1-1/8	2-3/8	1-11/32
		<b>136970</b>	LFT-SCEZ-20M-SHCR	.31	29.4	90.5	30.8	71.5	8.7	10.7	9.4	28.6	60.4	34.1
205	1 25 mm	<b>136934</b>	LFT-SCEZ-100-SHCR	.84	1-3/16	3-3/4	1-1/4	3	11/32	27/64	3/8	1-21/64	2-5/8	1-7/16
		<b>136971</b>	LFT-SCEZ-25M-SHCR	.38	30.2	95.3	31.7	76	8.7	10.7	9.5	33.7	66.6	36.5
206	1-3/16 1-1/4 30 mm	<b>136935</b>	LFT-SCEZ-103-SHCR	1.28	1-25/64	4-7/16	1-15/32	3-9/16	13/32	15/32	15/32	1-37/64	3-1/4	1-23/32
		<b>136936</b> <b>136972</b>	LFT-SCEZ-104S-SHCR LFT-SCEZ-30M-SHCR	.58	35.3	112.7	37.1	90.5	10.3	11.9	12.1	40.1	82.6	43.7
207	1-1/4 1-7/16 35 mm	<b>136937</b>	LFT-SCEZ-104-SHCR	1.77	1-17/32	4-13/16	1-19/32	3-15/16	13/32	1/2	17/32	1-27/32	3-1/2	1-53/64
		<b>136938</b> <b>136973</b>	LFT-SCEZ-107-SHCR LFT-SCEZ-35M-SHCR	.80	38.9	122.2	40.6	100.0	10.3	12.7	13.6	46.8	89.0	46.4



# SELECTION/DIMENSIONS

## E-Z KLEEN Mounted Bearings GTEZ Normal Duty Polymer Housed Flange Bearings

Lube fitting thread size  
1/4-28 tapered thread



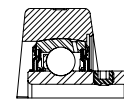
Series	Shaft Size	Complete Unit		Unit Without Adapter		Adapter & Nut Assembly	
		Part No.	Description	Part No.	Description	Part No.	Description
204	3/4	<b>129627</b>	FB-GTEZ-012-PCR	<b>129555</b>	FB-GTEZ-04-PCR	<b>129967</b>	AN-GT-04-012-CR
205	1	<b>129629</b>	FB-GTEZ-100-PCR	<b>129556</b>	FB-GTEZ-05-PCR	<b>129968</b>	AN-GT-05-100-CR
206	1-1/8	@	FB-GTEZ-102-PCR	<b>129557</b>	FB-GTEZ-06-PCR	<b>129969</b>	AN-GT-06-102-CR
	1-3/16	<b>129631</b>	FB-GTEZ-103-PCR			<b>129970</b>	AN-GT-06-103-CR
	1-1/4	<b>129632</b>	FB-GTEZ-104S-PCR			<b>129971</b>	AN-GT-06-104S-CR
207	1-1/4	<b>129634</b>	FB-GTEZ-104-PCR	<b>129558</b>	FB-GTEZ-07-PCR	<b>129972</b>	AN-GT-07-104-CR
	1-3/8	@	FB-GTEZ-106-PCR			<b>129973</b>	AN-GT-07-106-CR
	1-7/16	<b>129635</b>	FB-GTEZ-107-PCR			<b>129974</b>	AN-GT-07-107-CR

@ Assembled to order

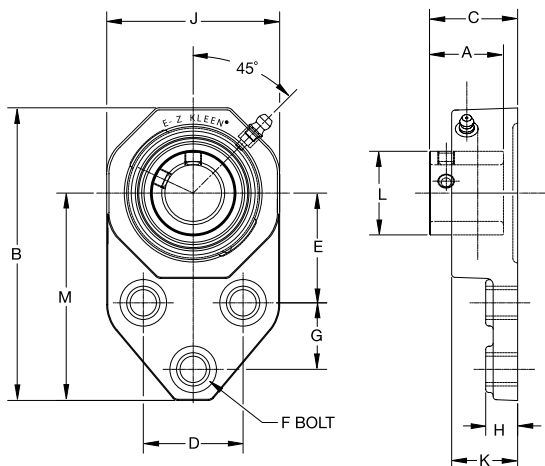
Series	Shaft Size	Weight lbs kg	A	B	C#	D	E	F Bolt Dia.	G	H	I	J	K	L	Z
204	3/4	0.75	1-15/32	4-25/64	1-45/64	1-1/2	1-11/16	3/8	7/8	17/32	3-15/64	2-11/32	1-1/8	1-1/2	1-11/16
205	1	1.12	1-29/64	4-29/32	1-11/16	1-5/8	1-13/16	3/8	1-1/8	35/64	3-9/16	2-23/32	1-9/64	1-51/64	1-47/64
206	1-1/8	1.77	1-39/64	5-31/64	1-53/64	1-7/8	2-1/16	3/8	1-1/4	39/64	3-7/8	3-13/64	1-1/4	2-5/64	1-25/32
	1-3/16	1.67													
	1-1/4	1.57													
207	1-1/4	2.65	1-5/8	6-7/64	1-27/32	2	2-3/8	1/2	1-1/4	5/8	4-17/64	3-45/64	1-9/32	2-3/8	1-53/64
	1-3/8	2.58													
	1-7/16	2.55													

#C dimension will vary slightly depending on true shaft diameter.





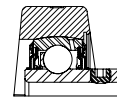
**E-Z KLEEN Mounted Bearings**  
**SCEZ Normal Duty Polymer Housed Flange Brackets**



Series	Shaft Size	With Corrosion Resistant Insert		With Insert With Fingers	
		Part No.	Description	Part No.	Description
204	1/2	@	FB-SCEZ-008-PCR*	<b>062317</b>	FB-SCEZ-008-P
	5/8	@	FB-SCEZ-010-PCR*	@	FB-SCEZ-010-P
	3/4	<b>127533</b>	FB-SCEZ-012-PCR	<b>058336</b>	FB-SCEZ-012-P
	20 mm	<b>127570</b>	FB-SCEZ-20M-PCR	@	FB-SCEZ-20M-P
205	7/8	@	FB-SCEZ-014-PCR*	@	FB-SCEZ-014-P
	15/16	@	FB-SCEZ-015-PCR*	@	FB-SCEZ-015-P
	1	<b>127534</b>	FB-SCEZ-100-PCR	<b>057908</b>	FB-SCEZ-100-P
	25 mm	<b>127521</b>	FB-SCEZ-25M-PCR	@	FB-SCEZ-25M-P
206	1-1/8	@	FB-SCEZ-102-PCR*	@	FB-SCEZ-102-P
	1-3/16	<b>127535</b>	FB-SCEZ-103-PCR	@	FB-SCEZ-103-P
	1-1/4	<b>127536</b>	FB-SCEZ-104S-PCR	<b>058311</b>	FB-SCEZ-104S-P
	30 mm	<b>127522</b>	FB-SCEZ-30M-PCR	@	FB-SCEZ-30M-P
207	1-1/4	<b>127537</b>	FB-SCEZ-104-PCR	@	FB-SCEZ-104-P
	1-5/16	<b>058648</b>	FB-SCEZ-105-PCR*	@	FB-SCEZ-105-P
	1-3/8	@	FB-SCEZ-106-PCR*	@	FB-SCEZ-106-P
	1-7/16	<b>127538</b>	FB-SCEZ-107-PCR	@	FB-SCEZ-107-P
	35 mm	<b>127523</b>	FB-SCEZ-35M-PCR	@	FB-SCEZ-35M-P

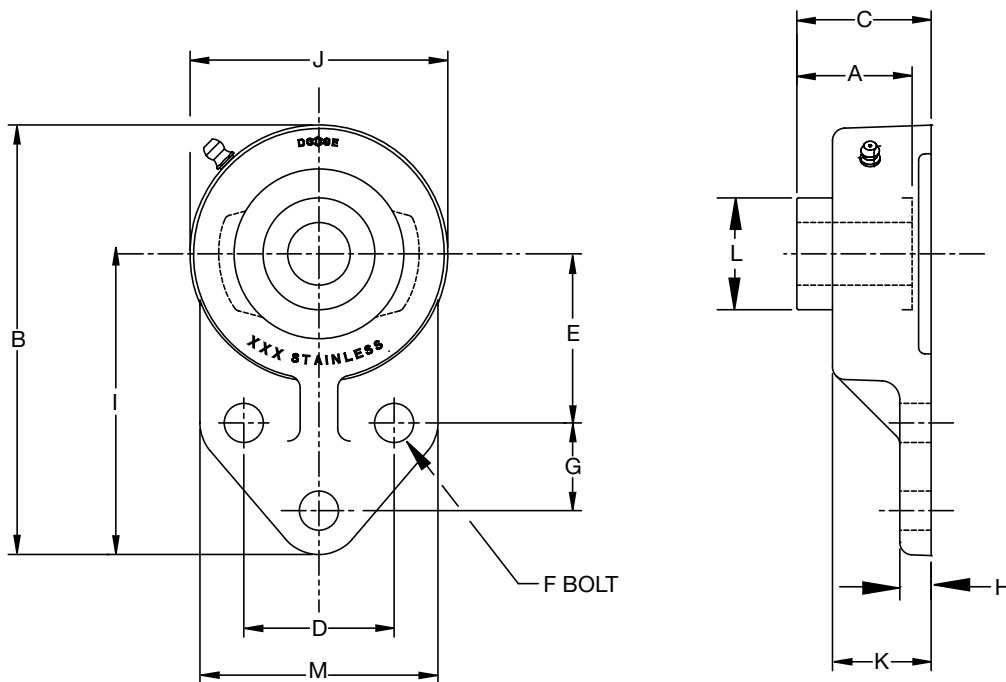
@ Assembled to order \* 20 piece minimum

Series	Shaft Size	Weight lbs kg	A	B	C	D	E	F Bolt Dia.	G	H	I	J	K	L
204	1/2	0.51	1-5/32	4-25/64	1-27/64	1-1/2	1-11/16	3/8	7/8	17/32	3-3/16	2-11/32	1-1/8	1-1/8
	5/8	0.49												
	3/4	0.47												
	20 mm	0.23	29.4	111.5	37.3	38.1	42.9	M10	22.2	13.5	81.1	59.4	28.4	28.6
205	7/8	0.73	1-3/16	4-29/32	1-15/32	1-5/8	1-13/16	3/8	1-1/8	35/64	3-17/32	2-23/32	1-9/64	1-21/64
	15/16	0.71												
	1	0.69												
	25 mm	0.32	30.2	124.6	40.1	41.3	46.1	M10	28.6	13.9	89.8	69.1	29.0	33.7
206	1-1/8	1.09	1-25/64	5-31/64	1-21/32	1-7/8	2-1/16	3/8	1-1/4	39/64	3-57/64	3-13/64	1-1/4	1-37/64
	1-3/16	1.07												
	1-1/4	1.05												
	30 mm	0.48	35.3	139.2	42.9	47.6	52.4	M10	31.8	15.5	98.6	81.3	31.8	40.1
207	1-1/4	1.87	1-17/32	6-7/64	1-51/64	2	2-3/8	1/2	1-1/4	5/8	4-15/64	3-45/64	1-9/32	1-27/32
	1-5/16	1.81												
	1-3/8	1.76												
	1-7/16	1.71												
	35 mm	0.83	38.9	155.2	46.4	50.8	60.3	M12	31.8	15.9	107.6	94.1	32.5	46.8



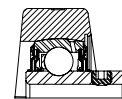
## SELECTION/DIMENSIONS

### E-Z KLEEN Mounted Bearings SCEZ SHCR Normal Duty Stainless Steel Flange Bracket Bearings



Series	Shaft Size	Corrosion Resistant Insert		Weight lbs. kgs.	A	B	C	D	E	F Bolt Dia.	G	H	I	J	K	L	M
		Part No.	Description														
204	3/4	<b>136920</b>	FB-SCEZ-012-SHCR	1.00	1-5/32	4-3/16	1-1/4	1-1/2	1-11/16	25/64	7/8	5/16	3	2-3/8	57/64	1-1/8	2-3/8
	20 mm	<b>136961</b>	FB-SCEZ-20M-SHCR	.45	29.4	106.4	31.6	38.1	42.9	9.9	22.2	8.0	76.2	60.3	22.8	28.6	60.3
205	1	<b>136921</b>	FB-SCEZ-100-SHCR	1.26	1-3/16	4-11/16	1-11/32	1-5/8	1-13/16	25/64	1-1/8	3/8	3-3/8	2-5/8	63/64	1-21/64	2-1/2
	25 mm	<b>136962</b>	FB-SCEZ-25M-SHCR	.52	30.2	119.1	34.2	41.3	46.0	9.9	28.6	9.5	85.7	66.7	25.0	33.7	63.5
206	1-3/16	<b>136922</b>	FB-SCEZ-103-SHCR	1.96	1-25/64	5-5/16	1-9/16	1-7/8	2-1/16	25/64	1-1/4	3/8	3-3/4	3-1/8	1-5/64	1-37/64	2-3/4
	1-1/4	<b>136923</b>	FB-SCEZ-104S-SHCR														
	30 mm	<b>136963</b>	FB-SCEZ-30M-SHCR	.89	36.3	134.9	39.6	47.6	52.4	9.9	31.8	9.5	95.3	79.4	27.6	40.1	69.9
207	1-1/4	<b>136924</b>	FB-SCEZ-104-SHCR	2.87	1-17/32	6	1-3/4	2	2-3/8	33/64	1-1/4	1/2	4-1/4	3-1/2	1-7/32	1-27/32	3-1/4
	1-7/16	<b>136925</b>	FB-SCEZ-107-SHCR														
	35 mm	<b>136964</b>	FB-SCEZ-35M-SHCR	1.3	38.9	152.4	44.5	50.8	60.3	13.1	31.8	12.7	108.0	88.9	31.1	46.8	82.6
210	1-15/16	<b>136926</b>	FB-SCEZ-115-SHCR	4.47	1-3/4	7-11/32	1-61/64	2-3/4	2-15/16	33/64	1-5/8	1/2	5-3/16	4-5/16	1-23/64	2-7/16	4
	2 50mm	@ <b>136965</b>	FB-SCEZ-200-SHCR FB-SCEZ-50M-SHCR	2.03	44.5	186.5	49.5	69.9	74.6	13.1	41.3	12.7	131.8	109.5	34.4	36.5	101.6

@ Assembled to order



ULTRA KLEEN

E-Z KLEEN

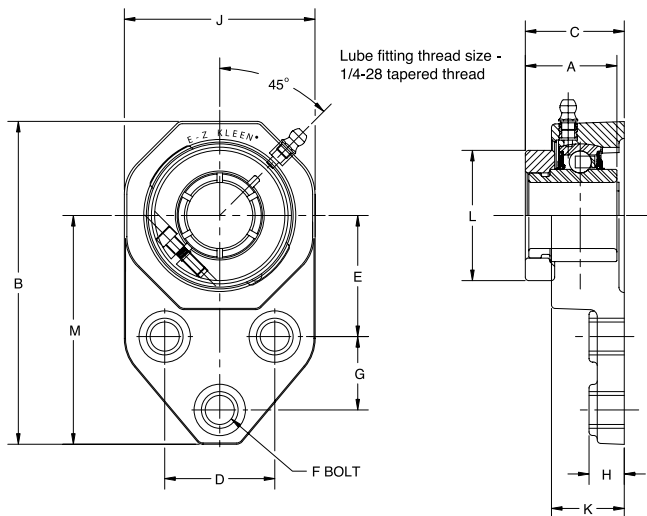
EXTREME DUTY

IMPERIAL-HD

S2000-HD

PART NUMBER INDEX

**E-Z KLEEN Mounted Bearings**  
**DLEZ Normal Duty Polymer Housed Flange Brackets**

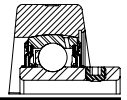


Series	Shaft Size	With Corrosion Resistant Insert		With Insert With Flingers	
		Part No.	Description	Part No.	Description
204	3/4	<b>127611</b>	FB-DLEZ-012-PCR	@	FB-DLEZ-012-P
	20 mm	<b>127648</b>	FB-DLEZ-20M-PCR	@	FB-DLEZ-20M-P
205	7/8	@	FB-DLEZ-014-PCR*	@	FB-DLEZ-014-P
	15/16	@	FB-DLEZ-015-PCR*	@	FB-DLEZ-015-P
	1	<b>127612</b>	FB-DLEZ-100-PCR	@	FB-DLEZ-100-P
	25 mm	<b>127649</b>	FB-DLEZ-25M-PCR	@	FB-DLEZ-25M-P
206	1-1/8	@	FB-DLEZ-102-PCR*	@	FB-DLEZ-102-P
	1-3/16	<b>127613</b>	FB-DLEZ-103-PCR	@	FB-DLEZ-103-P
	1-1/4	<b>127614</b>	FB-DLEZ-104S-PCR	@	FB-DLEZ-104S-P
	30 mm	<b>127650</b>	FB-DLEZ-30M-PCR	@	FB-DLEZ-30M-P
207	1-1/4	<b>127615</b>	FB-DLEZ-104-PCR	@	FB-DLEZ-104-P
	1-3/8	@	FB-DLEZ-106-PCR*	@	FB-DLEZ-106-P
	1-7/16	<b>127616</b>	FB-DLEZ-107-PCR	@	FB-DLEZ-107-P
	35 mm	<b>127651</b>	FB-DLEZ-35M-PCR	@	FB-DLEZ-35M-P

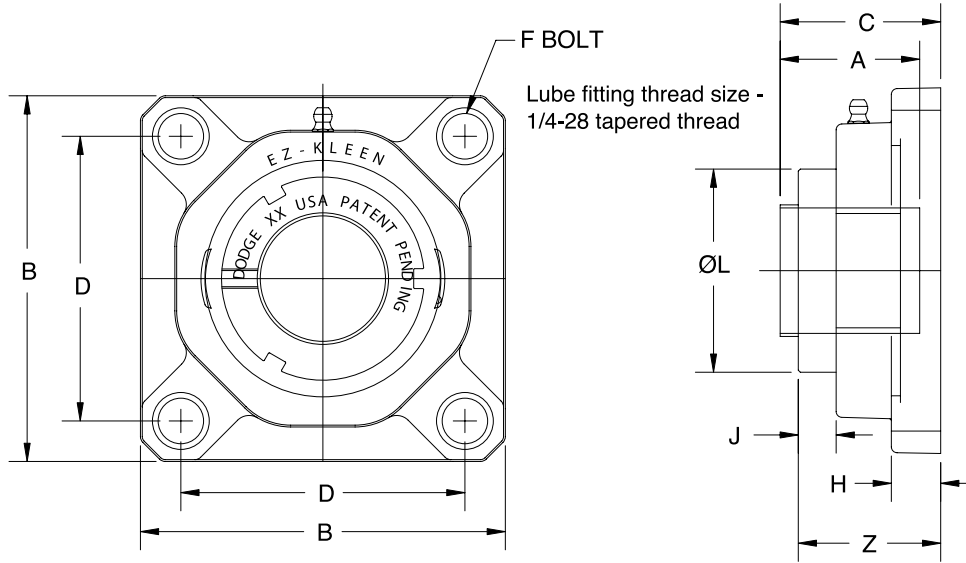
@ Assembled to order

\* 20 piece minimum

Series	Shaft Size	Weight lbs kg	A	B	C	D	E	F Bolt Dia.	G	H	I	J	K	L
204	3/4	0.75	1-9/32	4-25/64	1-15/32	1-1/2	1-11/16	3/8	7/8	17/32	3-3/16	2-11/32	1-1/8	1-45/64
	20 mm	0.35	32.5	111.5	37.3	38.1	42.9	M10	22.2	13.5	81.1	59.4	28.4	43.3
205	7/8	1.32	1-7/16	4-29/32	1-37/64	1-5/8	1-13/16	3/8	1-1/8	35/64	3-17/32	2-45/64	1-9/64	2
	15/16	1.22												
	1	1.12												
	25 mm	0.51	36.5	124.6	40.1	41.3	46.1	M10	28.6	13.9	89.8	68.8	29.0	50.8
206	1-1/8	1.77	1-9/16	5-31/64	1-11/16	1-7/8	2-1/16	3/8	1-1/4	39/64	3-57/64	3-13/64	1-1/4	2-7/32
	1-3/16	1.67												
	1-1/4	1.57												
	30 mm	0.76	39.7	139.3	42.9	47.6	52.4	M10	31.8	15.5	98.6	81.3	31.8	56.4
207	1-1/4	2.65	1-3/4	6-7/64	1-53/64	2	2-3/8	1/2	1-1/4	5/8	4-15/64	3-45/64	1-9/32	2-11/16
	1-3/8	2.58												
	1-7/16	2.55												
	35 mm	1.22	44.5	155.2	46.4	50.8	60.3	M12	31.8	15.9	107.6	94.1	32.5	68.3



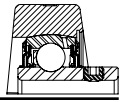
**E-Z KLEEN Mounted Bearings**  
**GTEZ Normal Duty Polymer Housed 4 Bolt Flange Bearings**



Series	Shaft Size	Complete Unit		Unit Without Adapter		Adapter & Nut Assembly	
		Part No.	Description	Part No.	Description	Part No.	Description
204	3/4 20 mm	<b>129706</b>	F4B-GTEZ-012-PCR	<b>129541</b>	F4B-GTEZ-04-PCR	<b>129967</b>	AN-GT-04-012-CR
		<b>129707</b>	F4B-GTEZ-20M-PCR			<b>129980</b>	AN-GT-04-20M-CR
205	1 25 mm	<b>129708</b>	F4B-GTEZ-100-PCR	<b>129542</b>	F4B-GTEZ-05-PCR	<b>129968</b>	AN-GT-05-100-CR
		<b>129709</b>	F4B-GTEZ-25M-PCR			<b>129981</b>	AN-GT-05-25M-CR
206	1-1/8	<b>068687</b>	F4B-GTEZ-102-PCR	<b>129543</b>	F4B-GTEZ-06-PCR	<b>129969</b>	AN-GT-06-102-CR
	1-3/16	<b>129710</b>	F4B-GTEZ-103-PCR			<b>129970</b>	AN-GT-06-103-CR
	1-1/4	<b>129711</b>	F4B-GTEZ-104S-PCR			<b>129971</b>	AN-GT-06-104S-CR
	30 mm	<b>129712</b>	F4B-GTEZ-30M-PCR			<b>129982</b>	AN-GT-06-30M-CR
207	1-1/4	<b>129713</b>	F4B-GTEZ-104-PCR	<b>129544</b>	F4B-GTEZ-07-PCR	<b>129972</b>	AN-GT-07-104-CR
	1-3/8	@	F4B-GTEZ-106-PCR			<b>129973</b>	AN-GT-07-106-CR
	1-7/16	<b>129714</b>	F4B-GTEZ-107-PCR			<b>129974</b>	AN-GT-07-107-CR
	35 mm	<b>129715</b>	F4B-GTEZ-35M-PCR			<b>129983</b>	AN-GT-07-35M-CR
208	1-1/2 40 mm	<b>129716</b>	F4B-GTEZ-108-PCR	<b>129545</b>	F4B-GTEZ-08-PCR	<b>129975</b>	AN-GT-08-108-CR
		<b>129717</b>	F4B-GTEZ-40M-PCR			<b>129984</b>	AN-GT-08-40M-CR
209	1-11/16	<b>129718</b>	F4B-GTEZ-111-PCR	<b>129546</b>	F4B-GTEZ-09-PCR	<b>129976</b>	AN-GT-09-111-CR
	1-3/4	<b>064584</b>	F4B-GTEZ-112-PCR			<b>129977</b>	AN-GT-09-112-CR
	45 mm	<b>129705</b>	F4B-GTEZ-45M-PCR			<b>129985</b>	AN-GT-09-45M-CR
210	1-15/16	<b>129719</b>	F4B-GTEZ-115-PCR	<b>129547</b>	F4B-GTEZ-10-PCR	<b>129978</b>	AN-GT-10-115-CR
	2	<b>129395</b>	F4B-GTEZ-200-PCR			<b>129979</b>	AN-GT-10-200-CR
	50 mm	<b>129720</b>	F4B-GTEZ-50M-PCR			<b>129986</b>	AN-GT-10-50M-CR

@ Assembled to order

# SELECTION/DIMENSIONS



## E-Z KLEEN Mounted Bearings GTEZ Normal Duty Polymer Housed 4 Bolt Flange Bearings

ULTRA KLEEN

E-Z KLEEN

EXTREME DUTY

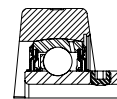
IMPERIAL-HD

S2000-HD

PART NUMBER INDEX

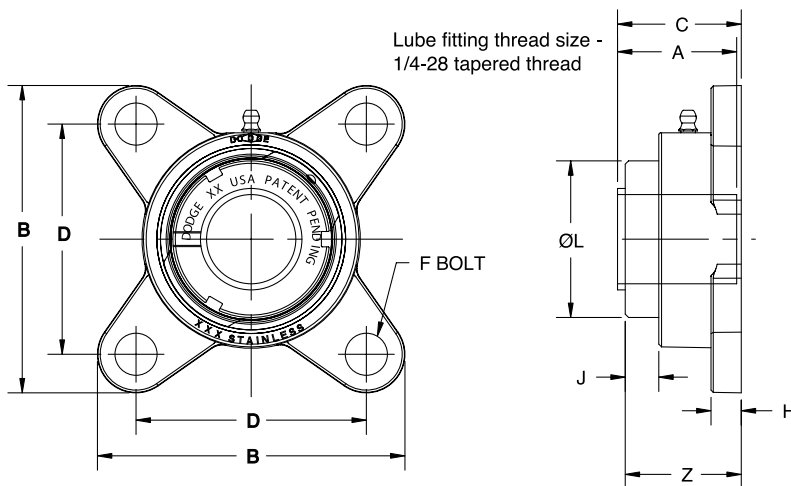
Series	Shaft Size	Weight lbs kg	A	B	C#	D	F Bolt Dia.	H	J	L	Z
204	3/4	0.50	1-15/32	3-3/8	1-23/32	2-1/2	3/8	17/32	35/64	1-1/2	1-25/32
	20 mm	0.30	37.3	85.7	43.7	63.5	M10	13.5	13.9	38.1	45.2
205	1	0.90	1-29/64	3-3/4	1-45/64	2-3/4	3/8	35/64	17/32	1-51/64	1-49/64
	25 mm	0.30	36.9	95.3	43.3	69.9	M10	13.9	13.5	45.6	44.8
206	1-1/8	1.20	1-39/64	4-1/4	1-55/64	3-1/4	3/8	39/64	35/64	2-5/64	1-29/32
	1-3/16										
	1-1/4										
30 mm	0.50	40.9	108.0	47.2	82.6	M10	15.5	13.9	52.8	48.4	
207	1-1/4	1.60	1-5/8	4-21/32	1-7/8	3-5/8	1/2	5/8	35/64	2-3/8	1-61/64
	1-3/8										
	1-7/16										
35 mm	0.70	41.3	118.3	47.6	92.1	M12	15.9	13.9	60.3	49.6	
208	1-1/2	2.00	1-27/32	5-1/8	2-7/64	4	1/2	43/64	37/64	2-5/8	2-5/32
	40 mm	0.90	46.8	130.2	53.6	101.6	M12	17.1	14.7	66.7	54.8
209	1-11/16	2.30	1-55/64	5-3/8	2-7/64	4-1/8	9/16	23/32	19/32	2-55/64	2-13/64
	1-3/4	1.00	47.2	136.5	53.6	104.8	M14	18.3	15.1	72.6	56.0
210	1-15/16	2.30	1-55/64	5-5/8	2-1/4	4-3/8	5/8	49/64	39/64	3-1/8	2-11/32
	2 50 mm	1.10	47.2	142.7	57.2	111.0	M16	19.4	15.5	79.4	59.5

#C dimension will vary slightly depending on true shaft diameter.



# SELECTION/DIMENSIONS

## E-Z KLEEN Mounted Bearings GTEZ Normal Duty Stainless Steel 4 Bolt Flange Bearings

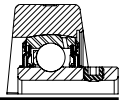


Series	Shaft Size	Complete Unit		Unit Without Adapter		Adapter & Nut Assembly	
		Part No.	Description	Part No.	Description	Part No.	Description
204	3/4	<b>129721</b>	F4B-GTEZ-012-SHCR	<b>129567</b>	F4B-GTEZ-04-SHCR	<b>129967</b>	AN-GT-04-012-CR
	20mm	<b>129722</b>	F4B-GTEZ-20M-SHCR			<b>129980</b>	AN-GT-04-20M-CR
205	1	<b>129723</b>	F4B-GTEZ-100-SHCR	<b>129568</b>	F4B-GTEZ-05-SHCR	<b>129968</b>	AN-GT-05-100-CR
	25mm	<b>129724</b>	F4B-GTEZ-25M-SHCR			<b>129981</b>	AN-GT-05-25M-CR
206	1 -1/8	@	F4B-GTEZ-102-SHCR	<b>129569</b>	F4B-GTEZ-06-SHCR	<b>129969</b>	AN-GT-06-102-CR
	1 -3/16	<b>129725</b>	F4B-GTEZ-103-SHCR			<b>129970</b>	AN-GT-06-103-CR
	1 -1/4	<b>129726</b>	F4B-GTEZ-104S-SHCR			<b>129971</b>	AN-GT-06-104S-CR
	30mm	<b>129727</b>	F4B-GTEZ-30M-SHCR			<b>129982</b>	AN-GT-06-30M-CR
207	1-1/4	<b>129728</b>	F4B-GTEZ-104-SHCR	<b>129570</b>	F4B-GTEZ-07-SHCR	<b>129972</b>	AN-GT-07-104-CR
	1 -3/8	<b>064993</b>	F4B-GTEZ-106-SHCR			<b>129973</b>	AN-GT-07-106-CR
	1 -7/16	<b>129729</b>	F4B-GTEZ-107-SHCR			<b>129974</b>	AN-GT-07-107-CR
	35mm	<b>129730</b>	F4B-GTEZ-35M-SHCR			<b>129983</b>	AN-GT-07-35M-CR
208	1-1/2	<b>129731</b>	F4B-GTEZ-108-SHCR	<b>129571</b>	F4B-GTEZ-08-SHCR	<b>129975</b>	AN-GT-08-108-CR
	40mm	<b>129732</b>	F4B-GTEZ-40M-SHCR			<b>129984</b>	AN-GT-08-40M-CR
210	1-15/16	<b>129733</b>	F4B-GTEZ-115-SHCR	<b>129572</b>	F4B-GTEZ-10-SHCR	<b>129978</b>	AN-GT-10-115-CR
	2	<b>062901</b>	F4B-GTEZ-200-SHCR			<b>129979</b>	AN-GT-10-200-CR
	50mm	<b>129734</b>	F4B-GTEZ-50M-SHCR			<b>129986</b>	AN-GT-10-50M-CR

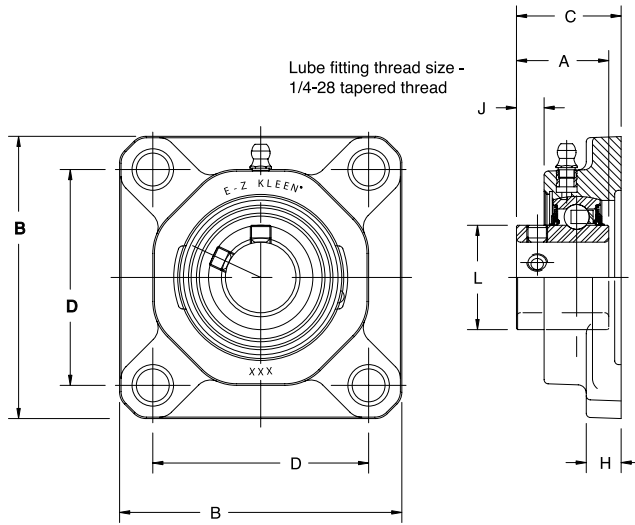
@ Assembled to order

Series	Shaft Size	Weight lbs kg	A	B	C#	D	F Bolt Dia.	H	J	L	Z
204	3/4	1.23	1-15/32	3-11/32	1-33/64	2-1/2	3/8	21/64	19/32	1-1/2	1-37/64
	20mm	0.55	37.3	84.9	38.5	63.5	M10	8.3	15.1	38.1	40.1
205	1	1.69	1-29/64	3-3/4	1-35/64	2-3/4	3/8	23/64	35/64	1-51/64	1-39/64
	25mm	0.73	36.9	95.3	39.3	69.9	M10	9.1	13.9	45.6	40.9
206	1 -1/8	2.41	1-39/64	4-5/32	1-47/64	3-1/4	3/8	23/64	35/64	2-5/64	1-25/32
	1 -3/16										
	1-1/4	1.07	40.9	105.6	44.1	82.6	M10	9.1	13.9	52.8	45.2
	30mm	3.42	41.3	119.1	45.2	92.1	M12	10.7	13.9	60.3	47.2
207	1-1/4		1-5/8	4-11/16	1-25/32	3-5/8	1/2	27/64	35/64	2-3/8	1-55/64
	1-3/8										
	1-7/16	1.56	41.3	119.1	45.2	92.1	M12	10.7	13.9	60.3	47.2
208	1-1/2	4.21	1-27/32	5-1/16	1-63/64	4	1/2	27/64	37/64	2-5/8	2-1/32
	40mm	1.91	46.8	128.6	50.4	101.6	M12	10.7	14.7	66.7	51.6
210	1-15/16	5.33	1-55/64	5-43/64	2	4-3/8	5/8	31/64	19/32	3-1/8	2-5/64
	2 50mm	2.39	47.2	144.1	50.8	111.1	M16	12.3	15.1	79.4	52.8

#C dimension will vary slightly depending on true shaft diameter.



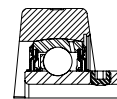
**E-Z KLEEN Mounted Bearings**  
**SCEZ Normal Duty Polymer Housed 4 Bolt Flange Bearings**



Series	Shaft Size	With Corrosion Resistant Insert		With Insert With Flingers		Weight Lb kg	A	B	C	D	F Bolt Dia.	H	J	L
		Part No.	Description	Part No.	Description									
204	1/2	@	F4B-SCEZ-008L-PCR*	@	F4B-SCEZ-008L-P	0.59	1-5/32	3-3/8	1-29/64	2-1/2	3/8	17/32	19/64	1-1/8
	5/8	@	F4B-SCEZ-010L-PCR*	@	F4B-SCEZ-010L-P	0.57								
	3/4	<b>127515</b>	F4B-SCEZ-012-PCR	<b>056440</b>	F4B-SCEZ-012-P	0.55								
	20 mm	<b>127556</b>	F4B-SCEZ-20M-PCR	@	F4B-SCEZ-20M-P	0.27	29.4	85.9	36.8	63.5	M10	13.5	7.6	28.6
205	7/8	<b>068424</b>	F4B-SCEZ-014-PCR*	@	F4B-SCEZ-014-P	0.71	1-3/16	3-3/4	1-1/2	2-3/4	3/8	35/64	21/64	1-21/64
	15/16	@	F4B-SCEZ-015-PCR*	@	F4B-SCEZ-015-P	0.69								
	1	<b>127516</b>	F4B-SCEZ-100-PCR	<b>058910</b>	F4B-SCEZ-100-P	0.67								
	25 mm	<b>127557</b>	F4B-SCEZ-25M-PCR	@	F4B-SCEZ-25M-P	0.32	30.2	95.3	38.1	70.0	M10	13.9	8.4	33.7
206	1-1/8	@	F4B-SCEZ-102-PCR*	@	F4B-SCEZ-102-P	0.89	1-25/64	4-1/4	1-11/16	3-1/4	3/8	39/64	27/64	1-37/64
	1-3/16	<b>127517</b>	F4B-SCEZ-103-PCR	@	F4B-SCEZ-103-P	0.86								
	1-1/4	<b>127518</b>	F4B-SCEZ-104S-PCR	<b>058594</b>	F4B-SCEZ-104S-P	0.84								
	30 mm	<b>127558</b>	F4B-SCEZ-30M-PCR	@	F2B-SCEZ-30M-P	0.39	35.3	108.1	42.8	82.5	M10	15.5	10.6	40.1
207	1-1/4	<b>127519</b>	F4B-SCEZ-104-PCR	@	F4B-SCEZ-104-P	1.40	1-17/32	4-21/32	1-53/64	3-5/8	1/2	5/8	33/64	1-27/32
	1-5/16	@	F4B-SCEZ-105-PCR*	@	F4B-SCEZ-105-P	1.35								
	1-3/8	<b>058294</b>	F4B-SCEZ-106-PCR*	<b>065780</b>	F4B-SCEZ-106-P	1.30								
	1-7/16	<b>127520</b>	F4B-SCEZ-107-PCR	@	F4B-SCEZ-107-P	1.24								
	35 mm	<b>127559</b>	F4B-SCEZ-35M-PCR	@	F4B-SCEZ-35M-P	0.61	38.9	118.1	46.5	92.0	M12	15.9	13.2	46.8
208	1-1/2	<b>127521</b>	F4B-SCEZ-108-PCR	<b>058595</b>	F4B-SCEZ-108-P	1.82	1-11/16	5-1/8	2	4	1/2	43/64	33/64	2-3/64
	1-5/8	@	F4B-SCEZ-110-PCR*	@	F4B-SCEZ-110-P	1.68								
	40 mm	<b>127560</b>	F4B-SCEZ-40M-PCR	@	F4B-SCEZ-40M-P	0.76	42.9	130.0	50.9	101.5	M12	16.9	13.3	52.0
209	1-5/8	@	F4B-SCEZ-110L-PCR*	@	F4B-SCEZ-110L-P	2.09	1-23/32	5-3/8	2-1/32	4-1/8	9/16	23/32	9/16	2-7/32
	1-11/16	<b>127522</b>	F4B-SCEZ-111-PCR	@	F4B-SCEZ-111-P	2.00								
	1-3/4	<b>057907</b>	F4B-SCEZ-112-PCR*	@	F4B-SCEZ-112-P	1.93								
	45 mm	<b>127561</b>	F4B-SCEZ-45M-PCR	@	F4B-SCEZ-45M-P	0.88	43.7	136.7	51.7	105.0	M14	18.2	14.1	56.4
210	1-15/16	<b>127523</b>	F4B-SCEZ-115-PCR	@	F4B-SCEZ-115-P	2.12	1-3/4	5-5/8	2-13/64	4-3/8	5/8	49/64	19/32	2-7/16
	2	<b>057899</b>	F4B-SCEZ-200-PCR	@	F4B-SCEZ-200-P	2.03								
	50 mm	<b>127562</b>	F4B-SCEZ-50M-PCR	@	F4B-SCEZ-50M-P	0.96	44.5	142.7	56.0	111.0	M16	19.3	15.1	61.9

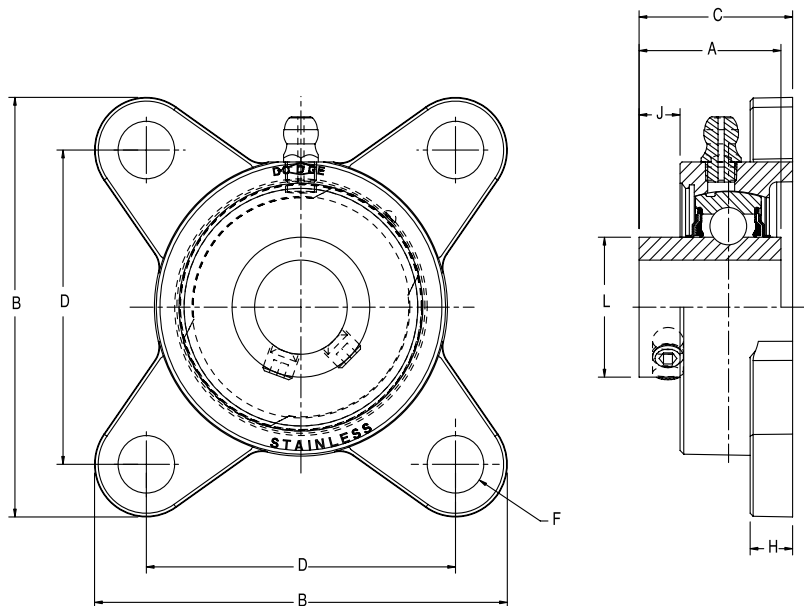
@ Assembled to order

\* 20 piece minimum



# SELECTION/DIMENSIONS

## E-Z KLEEN Mounted Bearings SCEZ Normal Duty Stainless Steel 4 Bolt Flange Bearings

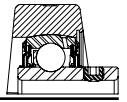


Series	Shaft Size	With Corrosion Resistant Insert		With Insert With Fingers		Weight lbs kg	A	B	C	D	F Bolt Dia.	H	J	L
		Part No.	Description	Part No.	Description									
204	1/2	@	F4B-SCEZ-008L-SHCR*	@	F4B-SCEZ-008L-SH	1.16	1-5/32	3-11/32	1-1/4	2-1/2	3/8	21/64	11/32	1-1/8
	5/8	@	F4B-SCEZ-010L-SHCR*	@	F4B-SCEZ-010L-SH	1.12								
	3/4	<b>127689</b>	F4B-SCEZ-012-SHCR	<b>056806</b>	F4B-SCEZ-012-SH	1.08								
	20mm	<b>127709</b>	F4B-SCEZ-20M-SHCR	@	F4B-SCEZ-20M-SH	0.49	29.4	84.9	31.8	63.5	M10	8.3	8.7	28.6
205	7/8	<b>065600</b>	F4B-SCEZ-014-SHCR*	@	F4B-SCEZ-014-SH	1.47	1-3/16	3-3/4	1-11/32	2-3/4	3/8	23/64	3/8	1-21/64
	15/16	@	F4B-SCEZ-015-SHCR*	@	F4B-SCEZ-015-SH	1.43								
	1	<b>127690</b>	F4B-SCEZ-100-SHCR	<b>056593</b>	F4B-SCEZ-100-SH	1.39								
	25mm	<b>127710</b>	F4B-SCEZ-25M-SHCR	@	F4B-SCEZ-25M-SH	0.63	30.2	95.3	34.1	69.9	M10	9.1	9.5	33.7
206	1-1/8	@	F4B-SCEZ-102-SHCR*	<b>049477</b>	F4B-SCEZ-102-SH	2.13	1-25/64	4-5/32	1-9/16	3-1/4	3/8	23/64	27/64	1-37/64
	1-3/16	<b>127691</b>	F4B-SCEZ-103-SHCR	<b>056807</b>	F4B-SCEZ-103-SH	2.09								
	1-1/4	<b>127692</b>	F4B-SCEZ-104S-SHCR	@	F4B-SCEZ-104S-SH	2.05								
	30mm	<b>127711</b>	F4B-SCEZ-30M-SHCR	@	F4B-SCEZ-30M-SH	0.95	35.3	105.6	39.7	82.6	M10	9.1	10.7	40.1
207	1-1/4	<b>127693</b>	F4B-SCEZ-104-SHCR	<b>056633</b>	F4B-SCEZ-104-SH	2.95	1-17/32	4-11/16	1-3/4	3-5/8	1/2	27/64	17/32	1-27/32
	1-3/8	@	F4B-SCEZ-106-SHCR*	@	F4B-SCEZ-106-SH	2.83								
	1-7/16	<b>127694</b>	F4B-SCEZ-107-SHCR	<b>056808</b>	F4B-SCEZ-107-SH	2.78								
	35mm	<b>127712</b>	F4B-SCEZ-35M-SHCR	@	F4B-SCEZ-35M-SH	1.29	38.9	119.1	44.5	92.1	M12	10.7	13.5	46.8
208	1-1/2	<b>127695</b>	F4B-SCEZ-108-SHCR	<b>056809</b>	F4B-SCEZ-108-SH	3.70	1-11/16	5-1/16	1-7/8	4	1/2	27/64	17/32	2-3/64
	1-5/8	@	F4B-SCEZ-110-SHCR*	<b>062340</b>	F4B-SCEZ-110-SH									
	40mm	<b>127713</b>	F4B-SCEZ-40M-SHCR	@	F4B-SCEZ-40M-SH	1.64	42.9	128.6	47.6	101.6	M12	10.7	13.5	52.0
210	1-11/16	@	F4B-SCMEZ-111-SHCR*	@	F4B-SCMEZ-111-SH	4.64	1-3/4	5-43/64	1-61/64	4-3/8	5/8	31/64	19/32	2-7/16
	1-3/4	@	F4B-SCMEZ-112-SHCR*	<b>065945</b>	F4B-SCMEZ-112-SH	4.40								
	1-15/16	<b>127696</b>	F4B-SCEZ-115-SHCR	<b>056810</b>	F4B-SCEZ-115-SH	4.60								
	2	<b>062542</b>	F4B-SCEZ-200-SHCR	@		4.56								
	50mm	<b>127714</b>	F4B-SCEZ-50M-SHCR	@	F4B-SCEZ-50M-SH	2.07	44.5	144.1	49.6	111.1	M16	12.3	15.1	61.9

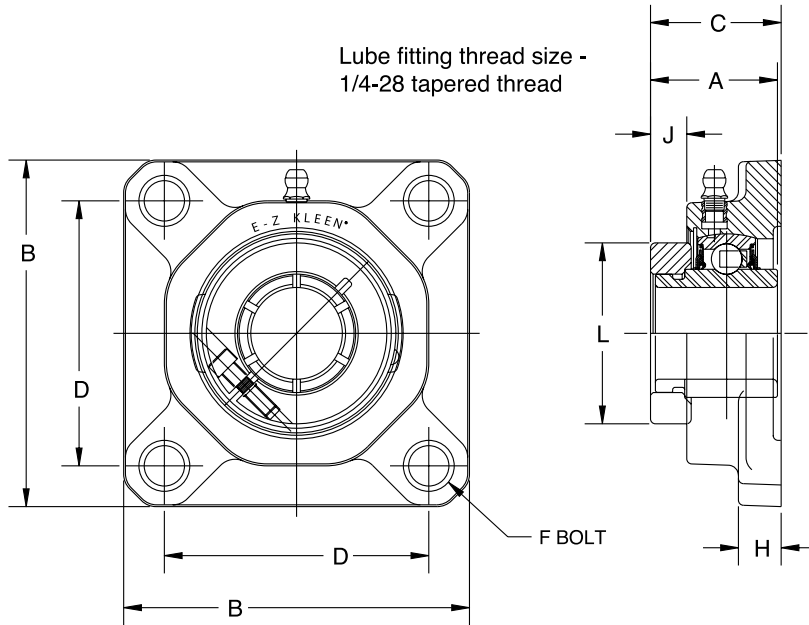
@ Assembled to order

\*20 piece minimum





**E-Z KLEEN Mounted Bearings**  
**DLEZ Normal Duty Polymer Housed 4 Bolt Flange Bearings**



Series	Shaft Size	With Corrosion Resistant Insert		Standard Insert With Flingers		Weight lbs kg	A	B	C	D	F Bolt Dia.	H	J	L
		Part No.	Description	Part No.	Description									
204	3/4	<b>127593</b>	F4B-DLEZ-012-PCR	@	F4B-DLEZ-012-P	0.50	1-9/32	3-3/8	1-29/64	2-1/2	3/8	17/32	19/64	1-45/64
	20 mm	<b>127634</b>	F4B-DLEZ-20M-PCR	@	F4B-DLEZ-20M-P	0.30	32.5	85.9	36.8	63.5	M10	13.5	7.6	43.3
205	7/8	@	F4B-DLEZ-014-PCR*	@	F4B-DLEZ-014-P	0.90	1-7/16	3-3/4	1-1/2	2-3/4	3/8	35/64	21/64	2
	15/16	@	F4B-DLEZ-015-PCR*	@	F4B-DLEZ-015-P	0.80								
	1	<b>127594</b>	F4B-DLEZ-100-PCR	@	F4B-DLEZ-100-P	0.70								
	25 mm	<b>127635</b>	F4B-DLEZ-25M-PCR	@	F4B-DLEZ-25M-P	0.30	36.5	95.3	38.1	70.0	M10	13.9	8.4	50.8
206	1-1/8	@	F4B-DLEZ-102-PCR*	@	F4B-DLEZ-102-P	1.20	1-9/16	4-1/4	1-11/16	3-1/4	3/8	39/64	27/64	2-7/32
	1-3/16	<b>127595</b>	F4B-DLEZ-103-PCR	@	F4B-DLEZ-103-P	1.10								
	1-1/4	<b>127596</b>	F4B-DLEZ-104S-PCR	@	F4B-DLEZ-104S-P	1.10								
	30 mm	<b>127636</b>	F4B-DLEZ-30M-PCR	@	F4B-DLEZ-30M-P	0.50	39.7	108.1	42.8	82.5	M10	15.5	10.6	56.4
207	1-1/4	<b>127597</b>	F4B-DLEZ-104-PCR	@	F4B-DLEZ-104-P	1.60	1-3/4	4-21/32	1-53/64	3-5/8	1/2	5/8	33/64	2-11/16
	1-3/8	@	F4B-DLEZ-106-PCR*	@	F4B-DLEZ-106-P	1.50								
	1-7/16	<b>127598</b>	F4B-DLEZ-107-PCR	@	F4B-DLEZ-107-P	1.40								
	35 mm	<b>127637</b>	F4B-DLEZ-35M-PCR	@	F4B-DLEZ-35M-P	0.70	44.5	118.1	46.5	92.0	M12	15.9	13.2	68.3
208	1-1/2	<b>127599</b>	F4B-DLEZ-108-PCR	@	F4B-DLEZ-108-P	2.00	2	5-1/8	2	4	1/2	43/64	33/64	2-47/64
	40 mm	<b>127638</b>	F4B-DLEZ-40M-PCR	@	F4B-DLEZ-40M-P	0.90	50.8	130.0	50.9	101.5	M12	16.9	13.3	69.5
209	1-5/8	@	F4B-DLEZ-110L-PCR*	@	F4B-DLEZ-110L-P	2.30	2	5-3/8	2-1/32	4-1/8	9/16	23/32	9/16	2-63/64
	1-11/16	<b>127600</b>	F4B-DLEZ-111-PCR	@	F4B-DLEZ-111-P	2.20								
	1-3/4	@	F4B-DLEZ-112-PCR*	@	F4B-DLEZ-112-P	2.10								
	45 mm	<b>127639</b>	F4B-DLEZ-45M-PCR	@	F4B-DLEZ-45M-P	1.00	50.8	136.7	51.7	105.0	M14	18.2	14.1	75.8
210	1-15/16	<b>127601</b>	F4B-DLEZ-115-PCR	@	F4B-DLEZ-115-P	2.30	2-3/32	5-5/8	2-13/64	4-3/8	5/8	49/64	19/32	3-15/64
	2	<b>058514</b>	F4B-DLEZ-200-PCR*	@	F4B-DLEZ-200-P	2.20								
	50 mm	<b>127640</b>	F4B-DLEZ-50M-PCR	@	F4B-DLEZ-50M-P	1.10	53.2	142.7	56.0	111.0	M16	19.3	15.1	82.1

@ Assembled to order

\* 20 piece minimum

ULTRA KLEEN

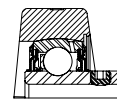
E-Z KLEEN

EXTREME DUTY

IMPERIAL-HD

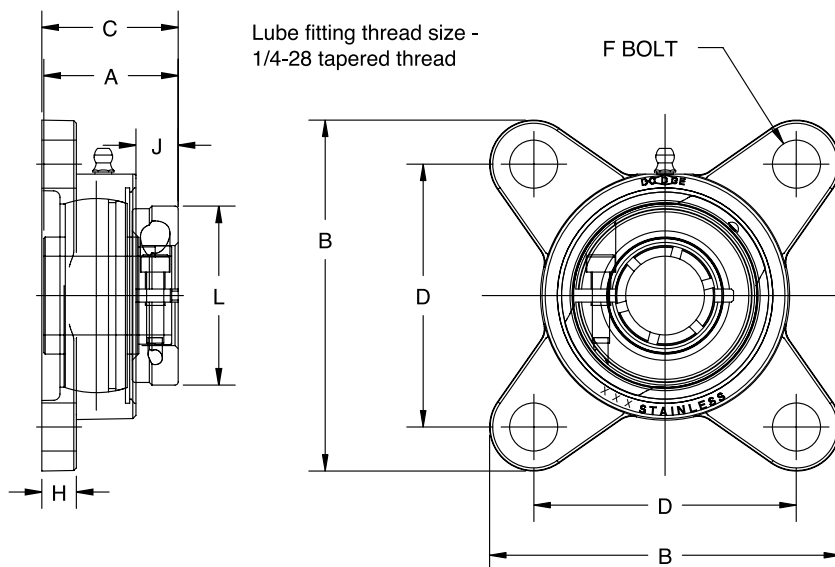
S2000-HD

PART NUMBER INDEX



# SELECTION/DIMENSIONS

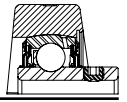
## E-Z KLEEN Mounted Bearings DLEZ Normal Duty Stainless Steel 4 Bolt Flange Bearings



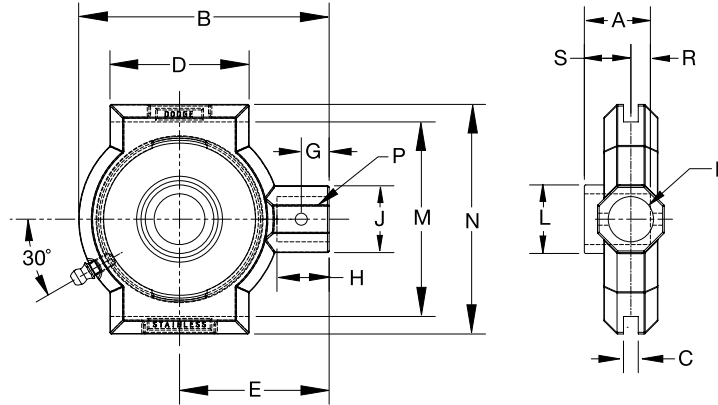
Series	Shaft Size	Part No.	Description	Weight lbs kg	A	B	C	D	F Bolt Dia.	H	J	L
204	3/4	<b>127731</b>	F4B-DLEZ-012-SHCR	1.23	1-9/32	3-11/32	1-19/64	2-1/2	3/8	21/64	13/32	1-45/64
	20mm	<b>127751</b>	F4B-DLEZ-20M-SHCR	0.55	32.5	84.9	32.9	63.5	M10	8.3	10.3	43.3
205	7/8	@	F4B-DLEZ-014-SHCR*	1.69	1-7/16	3-3/4	1-25/64	2-3/4	3/8	23/64	31/64	2
	15/16	@	F4B-DLEZ-015-SHCR*	1.65								
	1	<b>127732</b>	F4B-DLEZ-100-SHCR	1.61								
	25mm	<b>127752</b>	F4B-DLEZ-25M-SHCR	0.73	36.5	95.3	35.3	69.9	M10	9.1	12.3	50.8
206	1-1/8	@	F4B-DLEZ-102-SHCR*	2.41	1-9/16	4-5/32	1-19/32	3-1/8	3/8	23/64	29/64	2-7/32
	1-3/16	<b>127733</b>	F4B-DLEZ-103-SHCR	2.36								
	1-1/4	<b>127734</b>	F4B-DLEZ-104S-SHCR	2.31								
	30mm	<b>127753</b>	F4B-DLEZ-30M-SHCR	1.07	39.7	105.6	40.5	82.6	M10	9.1	11.5	56.4
207	1-1/4	<b>127735</b>	F4B-DLEZ-104-SHCR	3.42	1-3/4	4-11/16	1-25/32	3-5/8	1/2	27/64	9/16	2-11/16
	1-3/8	@	F4B-DLEZ-106-SHCR*	3.29								
	1-7/16	<b>127736</b>	F4B-DLEZ-107-SHCR	3.25								
	35mm	<b>127754</b>	F4B-DLEZ-35M-SHCR	1.56	44.5	119.1	45.2	92.1	M12	10.7	14.3	68.3
208	1-1/2	<b>127737</b>	F4B-DLEZ-108-SHCR	4.21	2	5-1/16	2-1/32	4	1/2	27/64	11/16	2-47/64
	40mm	<b>127755</b>	F4B-DLEZ-40M-SHCR	1.91	50.8	128.6	51.6	101.6	M12	10.7	17.5	69.5
210	1-11/16	@	F4B-DLEZM-111-SHCR*	5.33	2-3/32	5-43/64	2-9/64	4-3/8	5/8	31/64	25/32	3-15/64
	1-15/16	<b>127738</b>	F4B-DLEZ-115-SHCR	5.28								
	50mm	<b>127756</b>	F4B-DLEZ-50M-SHCR	2.39	53.2	144.1	54.4	111.1	M16	12.3	19.8	82.2

@ Assembled to order

\*20 piece minimum



**E-Z KLEEN Mounted Bearings**  
**SCEZ SHCR Normal Duty Stainless Steel Narrow Slot Take-Up Bearings**



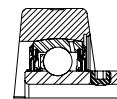
Series	Shaft Size	Standard		Weight lbs. kgs.	Take-Up Frame No. Ref.	A	B	C*	D	E	F Screw Dia	G
		Part No.	Description									
204	3/4 20 mm	<b>136939</b>	NSTU-SCEZ-012-SHCR	1.16	NS210	1-7/64	3-31/64	17/64	1-1/2	2-3/16	13/16	7/16
		<b>136974</b>	NSTU-SCEZ-20M-SHCR	.53		28.3	88.6	6.7	38.1	55.6	20.6	11.1
205	1 25 mm	<b>136940</b>	NSTU-SCEZ-100-SHCR	1.06	NS210	1-3/16	3-31/64	17/64	1-1/2	2-3/16	13/16	7/16
		<b>136975</b>	NSTU-SCEZ-25M-SHCR	.48		30.1	88.6	6.7	38.1	55.6	20.6	11.1
206	1-3/16	<b>136941</b>	NSTU-SCEZ-103-SHCR	2.51	NS308	1-25/64	4-1/2	17/64	2-1/2	2-11/16	15/16	1/2
	1-1/4	<b>136942</b>	NSTU-SCEZ-104S-SHCR	1.14		35.3	114.3	6.7	63.5	68.3	20.6	12.7
	30 mm	<b>136976</b>	NSTU-SCEZ-30M-SHCR									
207	1-1/4	<b>136943</b>	NSTU-SCEZ-104-SHCR	2.42	NS308	1-17/32	4-1/2	17/64	2-1/2	2-11/16	13/16	1/2
	1-7/16	<b>136944</b>	NSTU-SCEZ-107-SHCR	1.10		39.0	114.3	6.7	63.5	68.3	20.6	12.7
	35 mm	<b>136977</b>	NSTU-SCEZ-35M-SHCR									
208	1-1/2 40 mm	<b>136945</b>	NSTU-SCEZ-108-SHCR	4.16	NS400	1-11/16	5-3/8	21/64	3	3-1/4	15/16	21/32
		<b>136978</b>	NSTU-SCEZ-40M-SHCR	1.89		42.7	136.5	8.3	76.2	82.6	23.8	16.7
210	1-15/16 2 50mm	<b>136946</b>	NSTU-SCEZ-115-SHCR	3.87	NS400	1-3/4	5-1/2	21/64	3	3-1/4	15/16	21/32
		<b>@</b> <b>136979</b>	NSTU-SCEZ-200-SHCR NSTU-SCEZ-50M-SHCR	1.76		44.3	139.7	8.3	76.2	82.6	23.8	16.7

@ Assembled to order

Series	Shaft Size	Standard		H	J	L	M#	N	P Pin Dia	R	S
		Part No.	Description								
204	3/4 20 mm	<b>136939</b>	NSTU-SCEZ-012-SHCR	7/8	1-1/8	1-7/64	2-5/8	3-1/8	5/16	7/16	49/64
		<b>136974</b>	NSTU-SCEZ-20M-SHCR	22.2	30.5	28.3	66.6	79.4	8.0	11	19.3
205	1 25 mm	<b>136940</b>	NSTU-SCEZ-100-SHCR	7/8	1-1/8	1-21/64	2-5/8	3-1/8	5/16	27/64	49/64
		<b>136975</b>	NSTU-SCEZ-25M-SHCR	22.2	30.5	33.6	66.5	79.4	8.0	10.8	19.3
206	1-3/16	<b>136941</b>	NSTU-SCEZ-103-SHCR	15/16	1-1/8	1-37/64	3-1/2	4-1/8	5/16	31/64	29/32
	1-1/4	<b>136942</b>	NSTU-SCEZ-104S-SHCR	23.8	30.5	39.9	88.8	104.8	8.0	12.3	23.0
	30 mm	<b>136976</b>	NSTU-SCEZ-30M-SHCR								
207	1-1/4	<b>136943</b>	NSTU-SCEZ-104-SHCR	15/16	1-1/8	1-27/32	3-1/2	4-1/8	5/16	1/2	1-1/32
	1-7/16	<b>136944</b>	NSTU-SCEZ-107-SHCR	23.8	30.5	46.8	88.8	104.8	8.0	12.8	26.2
	35 mm	<b>136977</b>	NSTU-SCEZ-35M-SHCR								
208	1-1/2 40 mm	<b>136945</b>	NSTU-SCEZ-108-SHCR	1-5/32	1-1/2	2-3/64	4	4-3/4	3/8	19/32	1-1/32
		<b>136978</b>	NSTU-SCEZ-40M-SHCR	29.4	38.1	52.1	101.6	120.7	9.6	14.9	27.8
210	1-15/16 2 50mm	<b>136946</b>	NSTU-SCEZ-115-SHCR	1-5/32	1-1/2	2-27/64	4	4-3/4	3/8	19/32	1-5/32
		<b>@</b> <b>136979</b>	NSTU-SCEZ-200-SHCR NSTU-SCEZ-50M-SHCR	29.4	38.1	61.7	101.6	120.7	9.6	14.9	29.4

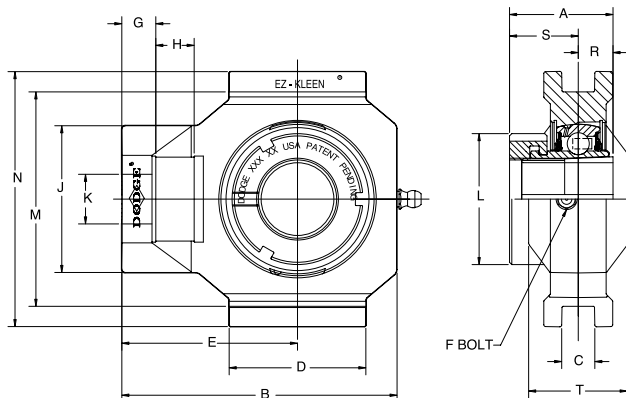
\*+/- .015" +/- .38mm

#+.010", -.020" +.25mm, -.50mm



# SELECTION/DIMENSIONS

## E-Z KLEEN Mounted Bearings GTEZ Normal Duty Polymer Housed Wide Slot Take-Up Bearings



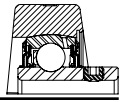
Series	Shaft Size	With Corrosion Resistant Insert		Unit without Adapter & Nut		Adapter & Nut Assembly	
		Part No.	Description	Part No.	Description	Part No.	Description
204	3/4	<b>136315</b>	WSTU-GTEZ-012-PCR	<b>136327</b>	WSTU-GTEZ-04-PCR	<b>129967</b>	AN-GT-04-012-CR
	20 mm	<b>136323</b>	WSTU-GTEZ-20M-PCR			<b>129980</b>	AN-GT-04-20M-CR
205	1	<b>136316</b>	WSTU-GTEZ-100-PCR	<b>136328</b>	WSTU-GTEZ-05-PCR	<b>129968</b>	AN-GT-05-100-CR
	25 mm	<b>136324</b>	WSTU-GTEZ-25M-PCR			<b>129981</b>	AN-GT-05-25M-CR
206	1-1/8	<b>136317</b>	WSTU-GTEZ-102-PCR	<b>136329</b>	WSTU-GTEZ-06-PCR	<b>129969</b>	AN-GT-06-102-CR
	1-3/16	<b>136318</b>	WSTU-GTEZ-103-PCR			<b>129970</b>	AN-GT-06-103-CR
	1-1/4	<b>136319</b>	WSTU-GTEZ-104S-PCR			<b>129971</b>	AN-GT-06-104S-CR
	30 mm	<b>136325</b>	WSTU-GTEZ-30M-PCR			<b>129982</b>	AN-GT-06-30M-CR
207	1-1/4	<b>136320</b>	WSTU-GTEZ-104-PCR	<b>136330</b>	WSTU-GTEZ-07-PCR	<b>129972</b>	AN-GT-07-104-CR
	1-3/8	<b>136321</b>	WSTU-GTEZ-106-PCR			<b>129973</b>	AN-GT-07-106-CR
	1-7/16	<b>136322</b>	WSTU-GTEZ-107-PCR			<b>129974</b>	AN-GT-07-107-CR
	35 mm	<b>136326</b>	WSTU-GTEZ-35M-PCR			<b>129983</b>	AN-GT-07-35M-CR

Series	Shaft Size	Weight lbs kg	Take-Up Frame No. Ref.	A	B	C**	D	E	F Thd Shaft	G	
204	3/4	0.90	WS300	1-15/32	3-13/16	17/32	2	2-1/2	5/8	1/2	
	20 mm	0.40		37.3	96.8	13.5	50.8	63.5	15.9	12.7	
205	1	1.20	WS300	1-29/64	3-15/16	17/32	2	2-9/16	5/8	1/2	
	25 mm	0.50		36.9	100.1	13.5	50.8	65.0	15.9	12.7	
206	1-1/8	1.80	WS308	1-39/64	4-1/2	17/32	2-1/4	2-7/8	3/4	1/2	
	1-3/16	1.70		40.9	114.3	13.5	57.2	73.0	19.1	12.7	
	1-1/4	1.60		30 mm	0.80						
207	1-1/4	2.40	WS308	1-5/8	4-15/16	17/32	2-1/4	3-1/8	3/4	1/2	
	1-3/8	2.30		41.3	125.2	13.5	57.2	79.2	19.1	12.7	
	1-7/16	2.30									
	35 mm	1.08									

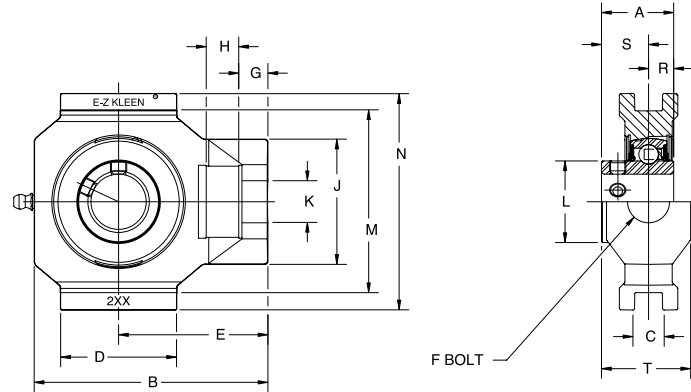
Series	Shaft Size	H	J	K	L	M**	N	R#	S#	T
204	3/4	5/8	2-3/32	1-9/64	1-1/2	3	3-5/8	31/64	63/64	1-3/8
	20 mm	15.9	53.3	29.0	38.1	76.2	92.1	12.3	25.0	35.1
205	1	5/8	2-1/8	1-9/64	1-51/64	3	3-5/8	1/2	61/64	1-3/8
	25 mm	15.9	53.8	29.0	45.6	76.2	92.1	12.8	24.2	35.1
206	1-1/8	5/8	2-3/8	1-3/8	2-5/64	3-1/2	4-1/4	17/32	1-5/64	1-5/8
	1-3/16									
	1-1/4									
207	30 mm	15.9	61.2	34.8	52.8	88.9	108.0	13.5	27.4	41.1
	1-1/4	5/8	2-27/64	1-3/8	2-3/8	3-1/2	4-1/4	9/16	1-1/16	1-5/8
	1-3/8									
	1-7/16									
35 mm	15.9	61.5	34.8	60.3	88.9	108.0	14.3	27.0	41.1	

# R & S dimension will vary slightly depending on true shaft diameter

\*\* + or - .020



**E-Z KLEEN Mounted Bearings**  
**SCEZ Normal Duty Polymer Housed Wide Slot Take-Up Bearings**



Series	Shaft Size	With Corrosion Resistant Insert		Standard Insert With Fingers		Weight Lbs kg	Take-Up Frame No. Ref.	A	B	C	D	E	F Thd Shaft	G
		Part No.	Description	Part No.	Description									
204	1/2	@	WSTU-SCEZ-008L-PCR*	@	WSTU-SCEZ-008L-P	0.86	WS300	1-5/32	3-13/16	17/32	2	2-1/2	5/8	1/2
	5/8	@	WSTU-SCEZ-010L-PCR*	@	WSTU-SCEZ-010L-P	0.76								
	3/4	<b>127539</b>	WSTU-SCEZ-012-PCR	@	WSTU-SCEZ-012-P	0.66								
	20 mm	<b>127574</b>	WSTU-SCEZ-20M-PCR	@	WSTU-SCEZ-20M-P	0.31								
205	7/8	@	WSTU-SCEZ-014-PCR*	@	WSTU-SCEZ-014-P	0.92	WS300	1-3/16	3-15/16	17/32	2	2-9/16	5/8	1/2
	15/16	@	WSTU-SCEZ-015-PCR*	@	WSTU-SCEZ-015-P	0.82								
	1	<b>127540</b>	WSTU-SCEZ-100-PCR	<b>058940</b>	WSTU-SCEZ-100-P	0.72								
	25 mm	<b>127575</b>	WSTU-SCEZ-25M-PCR	@	WSTU-SCEZ-25M-P	0.34								
206	1-1/8	@	WSTU-SCEZ-102-PCR*	@	WSTU-SCEZ-102-P	1.11	WS308	1-25/64	4-1/2	17/32	2-1/4	2-7/8	3/4	1/2
	1-3/16	<b>127541</b>	WSTU-SCEZ-103-PCR	@	WSTU-SCEZ-103-P	1.09								
	1-1/4	<b>127542</b>	WSTU-SCEZ-104S-PCR	@	WSTU-SCEZ-104S-P	1.07								
	30 mm	<b>127576</b>	WSTU-SCEZ-30M-PCR	@	WSTU-SCEZ-30M-P	0.49								
207	1-1/4	<b>127543</b>	WSTU-SCEZ-104-PCR	@	WSTU-SCEZ-104-P	1.58	WS308	1-17/32	4-15/16	17/32	2-1/4	3-1/8	3/4	1/2
	1-5/16	@	WSTU-SCEZ-105-PCR*	@	WSTU-SCEZ-105-P	1.52								
	1-3/8	@	WSTU-SCEZ-106-PCR*	@	WSTU-SCEZ-106-P	1.47								
	1-7/16	<b>127544</b>	WSTU-SCEZ-107-PCR	@	WSTU-SCEZ-107-P	1.42								
35 mm	<b>127577</b>	WSTU-SCEZ-35M-PCR	@	WSTU-SCEZ-35M-P	0.69	38.9	125.4	13.5	57.2	79.4	19.1	12.7		

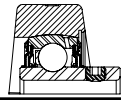
Series	Shaft Size	With Corrosion Resistant Insert		Standard Insert With Fingers		H	J	K	L	M**	N	R	S	T
		Part No.	Description	Part No.	Description									
204	1/2	@	WSTU-SCEZ-008L-PCR*	@	WSTU-SCEZ-008L-P	5/8	2-3/32	1-9/64	1-1/8	3	3-5/8	27/64	47/64	1-3/8
	5/8	@	WSTU-SCEZ-010L-PCR*	@	WSTU-SCEZ-010L-P									
	3/4	<b>127539</b>	WSTU-SCEZ-012-PCR	@	WSTU-SCEZ-012-P									
	20 mm	<b>127574</b>	WSTU-SCEZ-20M-PCR	@	WSTU-SCEZ-20M-P	15.9	53.2	29.0	28.6	76.2	92.1	10.7	18.7	35.1
205	7/8	@	WSTU-SCEZ-014-PCR*	@	WSTU-SCEZ-014-P	5/8	2-1/8	1-9/64	1-21/64	3	3-5/8	27/64	49/64	1-3/8
	15/16	@	WSTU-SCEZ-015-PCR*	@	WSTU-SCEZ-015-P									
	1	<b>127540</b>	WSTU-SCEZ-100-PCR	<b>058940</b>	WSTU-SCEZ-100-P									
	25 mm	<b>127575</b>	WSTU-SCEZ-25M-PCR	@	WSTU-SCEZ-25M-P	15.9	54.0	29.0	33.7	76.2	92.1	10.7	19.4	35.1
206	1-1/8	@	WSTU-SCEZ-102-PCR*	@	WSTU-SCEZ-102-P	5/8	2-3/8	1-3/8	1-37/64	3-1/2	4-1/4	31/64	29/32	1-5/8
	1-3/16	<b>127541</b>	WSTU-SCEZ-103-PCR	@	WSTU-SCEZ-103-P									
	1-1/4	<b>127542</b>	WSTU-SCEZ-104S-PCR	@	WSTU-SCEZ-104S-P									
	30 mm	<b>127576</b>	WSTU-SCEZ-30M-PCR	@	WSTU-SCEZ-30M-P	15.9	60.3	34.9	40.1	88.9	108.0	12.3	23.0	41.1
207	1-1/4	<b>127543</b>	WSTU-SCEZ-104-PCR	@	WSTU-SCEZ-104-P	5/8	2-27/64	1-3/8	1-27/32	3-1/2	4-1/4	32/64	1-1/32	1-5/8
	1-5/16	@	WSTU-SCEZ-105-PCR*	@	WSTU-SCEZ-105-P									
	1-3/8	@	WSTU-SCEZ-106-PCR*	@	WSTU-SCEZ-106-P									
	1-7/16	<b>127544</b>	WSTU-SCEZ-107-PCR	@	WSTU-SCEZ-107-P									
35 mm	<b>127577</b>	WSTU-SCEZ-35M-PCR	@	WSTU-SCEZ-35M-P	15.9	61.5	34.9	46.8	88.9	108.0	12.7	26.2	41.1	

@ Assembled to order

\* 20 piece minimum

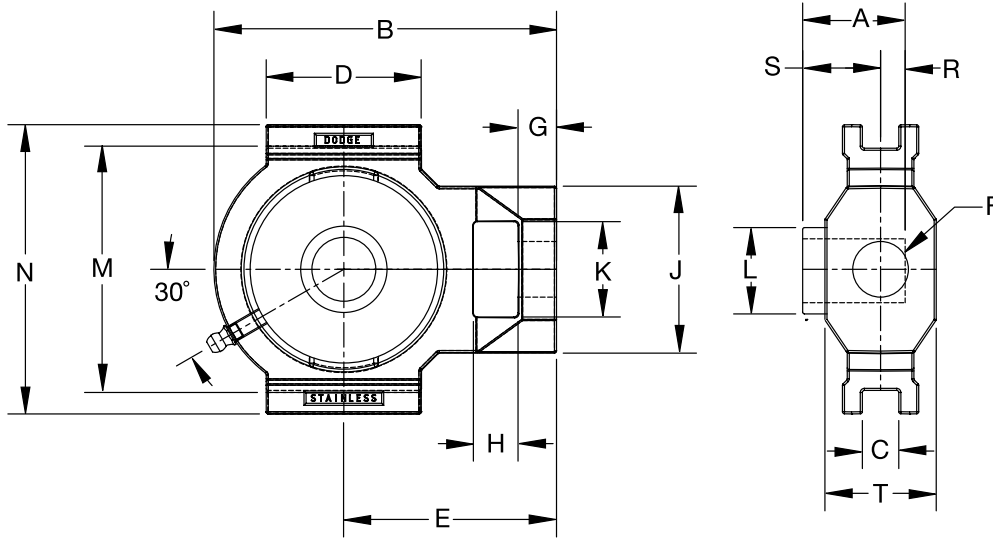
\*\* + or - .020"

+ or - .50 mm



# SELECTION/DIMENSIONS

## E-Z KLEEN Mounted Bearings SCEZ SHCR Normal Duty Stainless Steel Wide Slot Take-Up Bearings



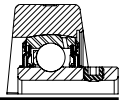
Series	Shaft Size	Standard		Weight lbs. kgs.	Take-Up Frame No. Ref.	A	B	C*	D	E	F Screw Dia	G
		Part No.	Description									
204	3/4 20 mm	<b>136947</b>	WSTU-SCEZ-012-SHCR	2.14	WS300	1-5/32	3-31/32	17/32	2-13/64	2-9/16	45/64	9/16
		<b>136980</b>	WSTU-SCEZ-20M-SHCR	.97		29.2	100.8	13.5	55.9	65	18.0	14.2
205	1 25 mm	<b>136948</b>	WSTU-SCEZ-100-SHCR	2.03	WS300	1-21/64	3-31/32	17/32	2-7/32	2-9/16	45/64	9/16
		<b>136981</b>	WSTU-SCEZ-25M-SHCR	.92		33.6	100.8	13.5	55.9	65.0	18.0	14.2
206	1-3/16 1-1/4 30 mm	<b>136949</b>	WSTU-SCEZ-103-SHCR	3.31	WS308	1-25/64	5	17/32	2-17/64	2-3/32	13/16	9/16
		<b>136950</b>	WSTU-SCEZ-104S-SHCR	1.50		35.3	126.8	13.5	57.4	78.6	20.6	14.2
		<b>136982</b>	WSTU-SCEZ-30M-SHCR									
207	1-1/4 1-7/16 35 mm	<b>136951</b>	WSTU-SCEZ-104-SHCR	3.21	WS308	1-17/32	4-63/64	17/32	2-17/64	3-3/32	13/16	9/16
		<b>136952</b>	WSTU-SCEZ-107-SHCR	1.46		39.0	126.8	13.5	57.4	78.6	20.6	14.2
		<b>136983</b>	WSTU-SCEZ-35M-SHCR									
208	1-1/2 40 mm	<b>136953</b>	WSTU-SCEZ-108-SHCR	4.60	WS400	1-11/16	5-5/8	11/16	3-1/4	3-1/2	1-1/8	5/8
		<b>136984</b>	WSTU-SCEZ-40M-SHCR	2.09		42.7	142.9	17.5	82.6	88.9	25.6	15.9
210	1-15/16 2 50mm	<b>136954</b>	WSTU-SCEZ-115-SHCR	4.12	WS400	1- 3/4	5-5/8	11/16	3-1/4	3-1/2	1-1/8	5/8
		<b>136985</b>	WSTU-SCEZ-50M-SHCR	1.87		44.3	142.9	17.5	82.6	88.9	28.6	15.9

@ Assembled to Order

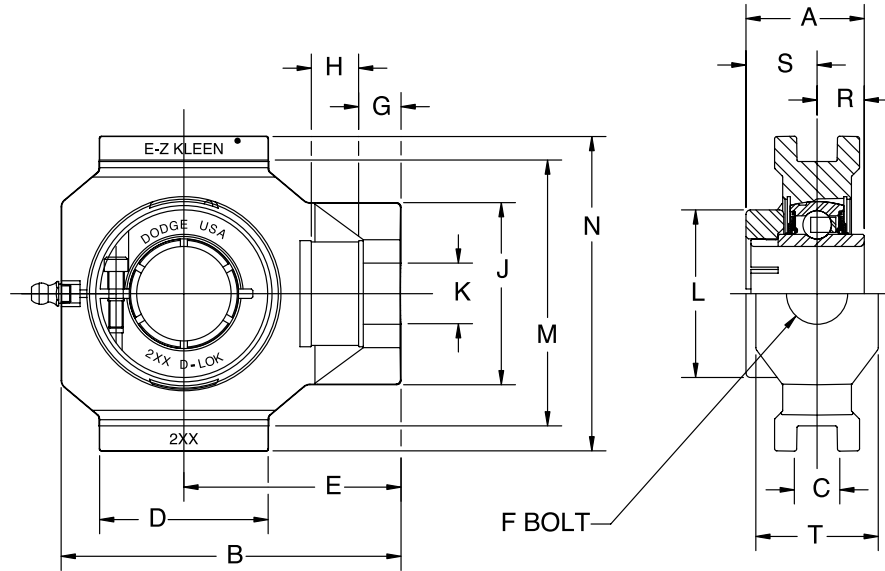
Series	Shaft Size	Standard		H	J	K	L	M#	N	R	S	T
		Part No.	Description									
204	3/4 20mm	<b>136947</b>	WSTU-SCEZ-012-SHCR	21/32	2-1/8	1-9/64	1-7/64	3	3-5/8	27/64	23/32	1-3/8
		<b>136980</b>	WSTU-SCEZ-20M-SHCR	16.5	53.9	29.1	28.3	76.5	92.2	10.8	18.4	35.1
205	1 25mm	<b>136948</b>	WSTU-SCEZ-100-SHCR	21/32	2-1/8	1-9/64	1-21/64	3	3-5/8	9/16	49/64	1-3/8
		<b>136981</b>	WSTU-SCEZ-25M-SHCR	16.5	53.9	29.1	33.6	76.5	92.2	14.3	19.3	35.1
206	1-3/16 1-1/4 30mm	<b>136949</b>	WSTU-SCEZ-103-SHCR	21/32	2-7/16	1-25/64	1-37/64	3-17/32	4-13/64	31/64	29/32	1-5/8
		<b>136950</b>	WSTU-SCEZ-104S-SHCR	16.5	61.7	35.2	39.9	89.5	106.7	12.3	23.0	41.2
		<b>136982</b>	WSTU-SCEZ-30M-SHCR									
207	1-1/4 1-7/16 35mm	<b>136951</b>	WSTU-SCEZ-104-SHCR	21/32	2-7/16	1-25/64	1-27/32	3-17/32	4-13/64	1/2	1-1/32	1-5/8
		<b>136952</b>	WSTU-SCEZ-107-SHCR	16.5	61.7	35.2	46.8	89.5	106.7	12.8	26.2	41.2
		<b>136983</b>	WSTU-SCEZ-35M-SHCR									
208	1-1/2 40mm	<b>136953</b>	WSTU-SCEZ-108-SHCR	3/4	2- 3/4	1-15/16	2-3/64	4	4-1/2	19/32	1-3/32	1-5/8
		<b>136984</b>	WSTU-SCEZ-40M-SHCR	19.1	69.9	49.2	52.1	101.6	114.3	14.9	27.8	41.2
210	1-15/16 2 50mm	<b>136954</b>	WSTU-SCEZ-115-SHCR	3/4	2- 3/4	1-15/16	2-27/64	4	4-1/2	19/32	1-5/32	1-5/8
		<b>136985</b>	WSTU-SCEZ-50M-SHCR	19.1	69.9	49.2	61.7	101.6	114.3	14.9	29.4	41.2

\*+/- .015" +/- .38mm

#+.010", -.020" +.25mm, -.50mm



**E-Z KLEEN Mounted Bearings**  
**DLEZ Normal Duty Polymer Housed Wide Slot Take-Up Bearings**

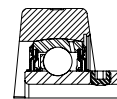


Series	Shaft Size	With Corrosion Resistant Insert		Standard Insert With Flingers		Weight lbs kg	Take-Up Frame No. Ref.	A	B	C**	D	E	F Thd Shaft	G
		Part No.	Description	Part No.	Description									
204	3/4	<b>127617</b>	WSTU-DLEZ-012-PCR	@	WSTU-DLEZ-012-P	0.66	WS300	1-5/32	3-13/16	17/32	2	2-1/2	5/8	1/2
	20 mm	<b>127652</b>	WSTU-DLEZ-20M-PCR	@	WSTU-DLEZ-20M-P	0.31		29.4	96.8	13.5	50.8	63.5	15.9	12.7
205	7/8	@	WSTU-DLEZ-014-PCR*	@	WSTU-DLEZ-014-P	0.92	WS300	1-3/16	3-15/16	17/32	2	2-9/16	5/8	1/2
	15/16	@	WSTU-DLEZ-015-PCR*	@	WSTU-DLEZ-015-P	0.82								
	1	<b>127618</b>	WSTU-DLEZ-100-PCR	@	WSTU-DLEZ-100-P	0.72								
	25 mm	<b>127653</b>	WSTU-DLEZ-25M-PCR	@	WSTU-DLEZ-25M-P	0.34								
206	1-1/8	@	WSTU-DLEZ-102-PCR*	@	WSTU-DLEZ-102-P	1.11	WS308	1-25/64	4-1/2	17/32	2-1/4	2-7/8	3/4	1/2
	1-3/16	<b>127619</b>	WSTU-DLEZ-103-PCR	@	WSTU-DLEZ-103-P	1.09								
	1-1/4	<b>127620</b>	WSTU-DLEZ-104S-PCR	@	WSTU-DLEZ-104S-P	1.07								
	30 mm	<b>127654</b>	WSTU-DLEZ-30M-PCR	@	WSTU-DLEZ-30M-P	0.49								
207	1-1/4	<b>127621</b>	WSTU-DLEZ-104-PCR	@	WSTU-DLEZ-104-P	1.58	WS308	1-17/32	4-15/16	17/32	2-1/4	3-1/8	3/4	1/2
	1-3/8	@	WSTU-DLEZ-106-PCR*	@	WSTU-DLEZ-106-P	1.47								
	1-7/16	<b>127622</b>	WSTU-DLEZ-107-PCR	@	WSTU-DLEZ-107-P	1.42								
	35 mm	<b>127655</b>	WSTU-DLEZ-35M-PCR	@	WSTU-DLEZ-35M-P	0.69								

@ Assembled to order

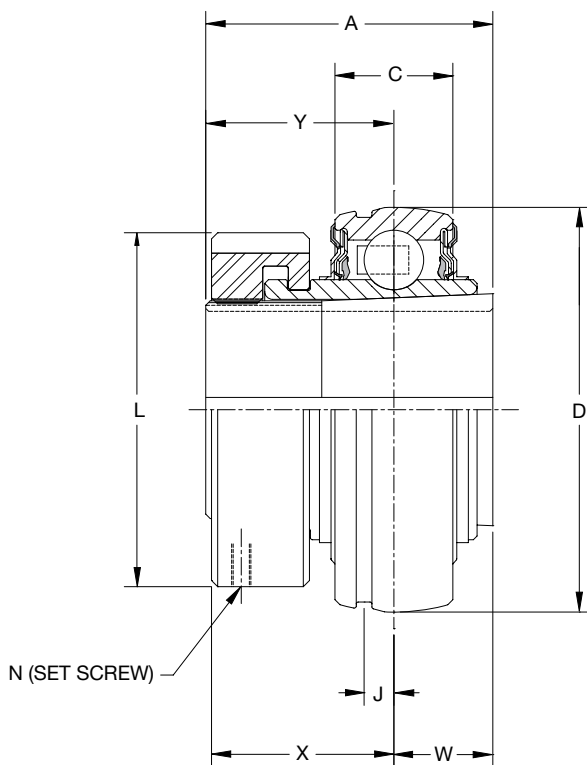
Series	Shaft Size	With Corrosion Resistant Insert		Standard Insert With Flingers		H	J	K	L	M**	N	R	S	T
		Part No.	Description	Part No.	Description									
204	3/4	<b>127617</b>	WSTU-DLEZ-012-PCR	@	WSTU-DLEZ-012-P	5/8	2-3/32	1-9/64	1-1/8	3	3-5/8	27/64	47/64	1-3/8
	20 mm	<b>127652</b>	WSTU-DLEZ-20M-PCR	@	WSTU-DLEZ-20M-P	15.9	53.2	29.0	28.6	76.2	92.1	10.7	18.7	35.1
205	7/8	@	WSTU-DLEZ-014-PCR*	@	WSTU-DLEZ-014-P	5/8	2-1/8	1-9/64	1-21/64	3	3-5/8	27/64	49/64	1-3/8
	15/16	@	WSTU-DLEZ-015-PCR*	@	WSTU-DLEZ-015-P									
	1	<b>127618</b>	WSTU-DLEZ-100-PCR	@	WSTU-DLEZ-100-P									
	25 mm	<b>127653</b>	WSTU-DLEZ-25M-PCR	@	WSTU-DLEZ-25M-P	15.9	54.0	29.0	33.7	76.2	92.1	10.7	19.4	35.1
206	1-1/8	@	WSTU-DLEZ-102-PCR*	@	WSTU-DLEZ-102-P	5/8	2-3/8	1-3/8	1-37/64	3-1/2	4-1/4	31/64	29/32	1-5/8
	1-3/16	<b>127619</b>	WSTU-DLEZ-103-PCR	@	WSTU-DLEZ-103-P									
	1-1/4	<b>127620</b>	WSTU-DLEZ-104S-PCR	@	WSTU-DLEZ-104S-P									
	30 mm	<b>127654</b>	WSTU-DLEZ-30M-PCR	@	WSTU-DLEZ-30M-P	15.9	60.3	34.9	40.1	88.9	108.0	12.3	23.0	41.1
207	1-1/4	<b>127621</b>	WSTU-DLEZ-104-PCR	@	WSTU-DLEZ-104-P	5/8	2-27/64	1-3/8	1-27/32	3-1/2	4-1/4	32/64	1-1/32	1-5/8
	1-3/8	@	WSTU-DLEZ-106-PCR*	@	WSTU-DLEZ-106-P									
	1-7/16	<b>127622</b>	WSTU-DLEZ-107-PCR	@	WSTU-DLEZ-107-P									
	35 mm	<b>127655</b>	WSTU-DLEZ-35M-PCR	@	WSTU-DLEZ-35M-P	15.9	61.5	34.9	46.8	88.9	108.0	12.7	26.2	41.1

\*\* + or - .020" + or - .50 mm



# SELECTION/DIMENSIONS

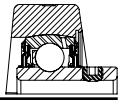
## E-Z KLEEN Mounted Bearings GT Normal Duty Bearing Inserts for E-Z Kleen Bearings



Series	Shaft Size	Complete Unit		Unit Without Adapter		Adapter & Nut Assembly	
		Part No.	Description	Part No.	Description	Part No.	Description
204	3/4 20mm	<b>129825</b>	INS-GT-012-CR	<b>129579</b>	INS-GT-04-CR	<b>129967</b>	AN-GT-04-012-CR
		<b>129826</b>	INS-GT-20M-CR			<b>129980</b>	AN-GT-04-20M-CR
205	1 25mm	<b>129827</b>	INS-GT-100-CR	<b>129580</b>	INS-GT-05-CR	<b>129968</b>	AN-GT-05-100-CR
		<b>129828</b>	INS-GT-25M-CR			<b>129981</b>	AN-GT-05-25M-CR
206	1-1/8	@	INS-GT-102-CR	<b>129581</b>	INS-GT-06-CR	<b>129969</b>	AN-GT-06-102-CR
	1-3/16	<b>129829</b>	INS-GT-103-CR			<b>129970</b>	AN-GT-06-103-CR
	1-1/4	<b>129830</b>	INS-GT-104S-CR			<b>129971</b>	AN-GT-06-104S-CR
	30mm	<b>129831</b>	INS-GT-30M-CR			<b>129982</b>	AN-GT-06-30M-CR
207	1-1/4	<b>129832</b>	INS-GT-104-CR	<b>129582</b>	INS-GT-07-CR	<b>129972</b>	AN-GT-07-104-CR
	1-3/8	@	INS-GT-106-CR			<b>129973</b>	AN-GT-07-106-CR
	1-7/16	<b>129833</b>	INS-GT-107-CR			<b>129974</b>	AN-GT-07-107-CR
	35mm	<b>129834</b>	INS-GT-35M-CR			<b>129983</b>	AN-GT-07-35M-CR
208	1-1/2 40mm	<b>129835</b>	INS-GT-108-CR	<b>129583</b>	INS-GT-08-CR	<b>129975</b>	AN-GT-08-108-CR
		<b>129836</b>	INS-GT-40M-CR			<b>129984</b>	AN-GT-08-40M-CR
209	1-11/16	<b>129837</b>	INS-GT-111-CR	<b>129584</b>	INS-GT-09-CR	<b>129976</b>	AN-GT-09-111-CR
	1-3/4	@	INS-GT-112-CR			<b>129977</b>	AN-GT-09-112-CR
	45mm	<b>129838</b>	INS-GT-45M-CR			<b>129985</b>	AN-GT-09-45M-CR
210	1-15/16	<b>129839</b>	INS-GT-115-CR	<b>129585</b>	INS-GT-10-CR	<b>129978</b>	AN-GT-10-115-CR
	2	@	INS-GT-200-CR			<b>129979</b>	AN-GT-10-200-CR
	50mm	<b>129840</b>	INS-GT-50M-CR			<b>129986</b>	AN-GT-10-50M-CR

@ Assembled to order.





**E-Z KLEEN Mounted Bearings**  
**GT Normal Duty Bearing Inserts for E-Z Kleen Bearings**

ULTRA KLEEN

E-Z KLEEN

EXTREME DUTY

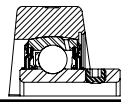
IMPERIAL-HD

S2000-HD

PART NUMBER INDEX

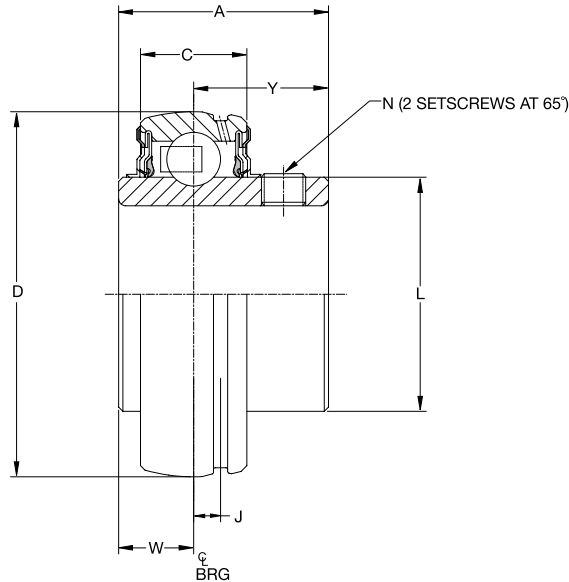
Series	Shaft Size	Weight lbs kg	A	C	D	J	L	N Screw (UNF)	W#	X	Y#	
204	3/4	0.6	1-15/32	0.5906	1.8504	0.152	1-1/2	#10-32 x 1/4	31/64	1-3/64	63/64	
	20mm	0.3	37.3	15.0	47.0	3.9	38.1		12.3	26.7	25.0	
205	1	0.8	1-29/64	0.5906	2.0472	0.152	1-51/64	#10-32 x 1/4	1/2	1-1/64	61/64	
	25mm	0.4	36.9	15.0	52.0	3.9	45.6		12.8	25.9	24.2	
206	1-1/8	1.2	1-39/64	0.7087	2.4409	0.190	2-5/64	#10-32 x 1/4	17/32	1-1/8	1-5/64	
	1-3/16								13.5			28.7
	1-1/4								27.4			
207	30mm	0.6	40.9	18.0	62.0	4.8	52.8	14.3	29.1	27.0		
	1-1/4	1.8	1-5/8	0.7480	2.8346	0.202	2-3/8	#10-32 x 1/4	9/16	1-9/64	1-1/16	
	1-3/8								14.3			29.1
1-7/16	27.0											
208	35mm	0.8	41.3	19.0	72.0	5.1	60.3	16.7	31.5	30.2		
	1-1/2	2.2	1-27/32	0.8661	3.1496	0.224	2-5/8	#10-32 x 1/4	21/32	1-15/64	1-3/16	
209	40mm	1.0	46.8	22.0	80.0	5.7	66.7		21/32	16.7	31.5	30.2
	1-11/16	2.5	1-55/64	0.8661	3.3465	0.248	2-55/64	#10-32 x 1/4	21/32	1-9/32	1-3/16	
1-3/4	16.7											
210	45mm	2.5	1-55/64	0.8661	3.3465	0.248	2-55/64	#10-32 x 1/4	21/32	1-9/32	1-3/16	
	1-15/16	3.0	1-55/64	0.8661	3.5433	0.248	3-1/8		21/32	1-9/32	1-13/64	
210	2	3.0	1-55/64	0.8661	3.5433	0.248	3-1/8	#10-32 x 1/4	21/32	1-9/32	1-13/64	
	50mm								1.4			47.2

#W & Y dimensions will vary slightly depending on true shaft diameter.



# SELECTION/DIMENSIONS

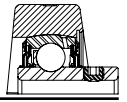
## E-Z KLEEN Mounted Bearings SC Normal Duty Bearing Corrosion Resistant Inserts for E-Z Kleen Bearings



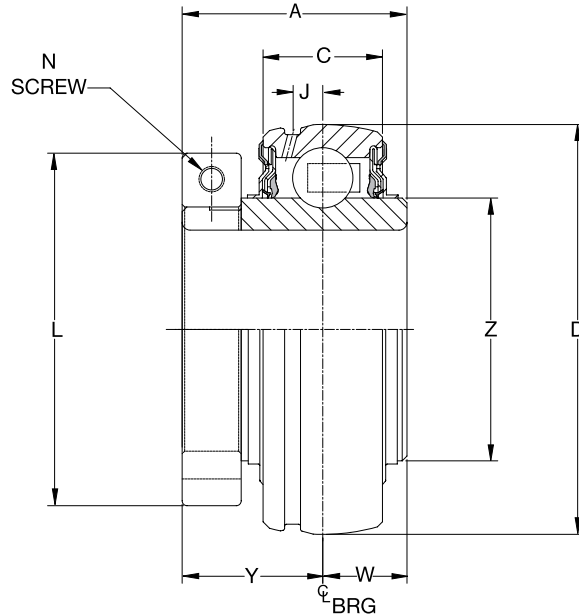
Series	Shaft Size	Insert with Flingers		Corrosion Resistant Insert		Weight lbs kg	A	C	D	J	L	N	W	Y
		Part No.	Description	Part No.	Description									
204	1/2	@	INS-SC-008L-FF	<b>052981</b>	INS-SC-008L-CR*	.38	1-5/32	.5906	1.8504	.152	1-1/8	10/32	27/64	47/64
	5/8	<b>124932</b>	INS-SC-010L-FF	<b>127073</b>	INS-SC-010L-CR*	.35								
	3/4	<b>123070</b>	INS-SC-012-FF	<b>045600</b>	INS-SC-012-CR	.32								
	20mm	<b>050524</b>	INS-SC-20M-FF	<b>125873</b>	INS-SC-20M-CR	.16	29.4	15.0	47.0	3.9	28.6	M6 x 1	10.7	18.7
205	7/8	<b>124931</b>	INS-SC-014-FF	<b>058665</b>	INS-SC-014-CR*	.43	1-3/16	.5906	2.0472	.152	1-21/64	1/4-28	27/64	49/64
	15/16	<b>123069</b>	INS-SC-015-FF	@	INS-SC-015-CR*	.40								
	1	<b>123071</b>	INS-SC-100-FF	<b>045601</b>	INS-SC-100-CR	.37								
	25mm	<b>052620</b>	INS-SC-25M-FF	<b>050580</b>	INS-SC-25M-CR	.18	30.2	15.0	52.0	3.9	33.7	M6 x 1	10.7	19.4
206	1-1/8	<b>123234</b>	INS-SC-102-FF	<b>058989</b>	INS-SC-102-CR*	.63	1-25/64	.7087	2.4409	.190	1-37/64	5/16-24	31/64	29/32
	1-3/16	<b>123072</b>	INS-SC-103-FF	<b>045602</b>	INS-SC-103-CR	.60								
	1-1/4	<b>123073</b>	INS-SC-104S-FF	<b>045603</b>	INS-SC-104S-CR	.58								
	30mm	<b>052621</b>	INS-SC-30M-FF	<b>125874</b>	INS-SC-30M-CR	.27	35.3	18.0	62.0	4.8	40.1	M8 x 1.25	12.3	23.0
207	1-1/4	<b>123074</b>	INS-SC-104-FF	<b>045412</b>	INS-SC-104-CR	1.02	1-17/32	.7480	2.8346	.202	1-27/32	5/16-24	1/2	1-1/32
	1-5/16	<b>057102</b>	INS-SC-105-FF	<b>058345</b>	INS-SC-105-CR*	.97								
	1-3/8	<b>123460</b>	INS-SC-106-FF	<b>058965</b>	INS-SC-106-CR*	.92								
	35mm	<b>123075</b>	INS-SC-107-FF	<b>045604</b>	INS-SC-107-CR	.86								
		<b>052622</b>	INS-SC-35M-FF	<b>050653</b>	INS-SC-35M-CR	.44	38.9	19.0	72.0	5.1	46.8	M8 x 1.25	12.7	26.2
208	1-1/2	<b>123076</b>	INS-SC-108-FF	<b>045605</b>	INS-SC-108-CR	1.27	1-11/16	.8661	3.1496	.224	2-3/64	5/16-24	19/32	1-3/32
	1-5/8	<b>123409</b>	INS-SC-110-FF	@	INS-SC-110-CR*	1.13								
	40mm	<b>052623</b>	INS-SC-40M-FF	<b>050654</b>	INS-SC-40M-CR	.51	42.9	22.0	80.0	5.7	52.0	M8 x 1.25	15.1	27.8
209	1-5/8	@	INS-SC-110L-FF	@	INS-SC-110L-CR*	1.49	1-23/32	.8661	3.3465	.248	2-7/32	5/16-24	19/32	1-1/8
	1-11/16	@	INS-SC-111-FF	<b>125004</b>	INS-SC-111-CR	1.43								
	1-3/4	<b>045677</b>	INS-SC-112-FF	<b>054145</b>	INS-SC-112-CR*	1.36								
	45mm	@	INS-SC-45M-FF	<b>125005</b>	INS-SC-45M-CR	.62	43.7	22.0	85.0	6.3	56.4	M8 x 1.25	15.1	28.6
210	1-11/16	@	INS-SCM-111-FF	@	INS-SCM-111-CR*	1.82	1-3/4	.8661	3.5433	.248	2-7/16	3/8-24	19/32	1-5/32
	1-15/16	<b>123077</b>	INS-SC-115-FF	<b>045606</b>	INS-SC-115-CR	1.48								
	2	<b>123413</b>	INS-SC-200-FF	<b>045338</b>	INS-SC-200-CR*	1.39								
	50mm	@	INS-SC-50M-FF	<b>050656</b>	INS-SC-50M-CR	.67	44.5	22.0	90.0	6.3	61.9	M10 x 1.5	15.1	29.4

@ Assembled to order

\* 20 piece minimum



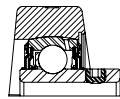
**E-Z KLEEN Mounted Bearings**  
**DL Normal Duty Bearing Corrosion Resistant Inserts for E-Z Kleen Bearings**



Series	Shaft Size	Insert with Flingers		Corrosion Resistant Insert		Weight lbs kg	A	C	D	J	L	N	W	Y	Z
		Part No.	Description	Part No.	Description										
204	3/4	<b>128646</b>	INS-DL-012	<b>126685</b>	INS-DL-012-CR	0.6	1-9/32	0.5906	1.8504	0.152	1-45/64	No. 8	1/2	25/32	1-1/8
	20mm	<b>126629</b>	INS-DL-20M	<b>126693</b>	INS-DL-20M-CR	0.3	32.5	15.0	47.0	3.9	43.3	M4	12.7	19.8	28.6
205	7/8	<b>128684</b>	INS-DL-014	@	INS-DL-014-CR*	0.8	1-7/16	0.5906	2.0472	0.152	2	No. 10	9/16	7/8	1-21/64
	15/16	<b>128647</b>	INS-DL-015	@	INS-DL-015-CR*	0.8									
	1	<b>128648</b>	INS-DL-100	<b>126686</b>	INS-DL-100-CR	0.8									
	25mm	<b>126630</b>	INS-DL-25M	<b>126694</b>	INS-DL-25M-CR	0.4	36.5	15.0	52.0	3.9	50.8	M5	14.3	22.2	33.7
206	1-1/8	<b>128649</b>	INS-DL-102	<b>059869</b>	INS-DL-102-CR*	1.2	1-9/16	0.7087	2.4409	0.190	2-7/32	No. 10	5/8	15/16	1-37/64
	1-3/16	<b>128650</b>	INS-DL-103	<b>126687</b>	INS-DL-103-CR	1.2									
	1-1/4	<b>128651</b>	INS-DL-104S	<b>126688</b>	INS-DL-104S-CR	1.1									
	30mm	<b>126631</b>	INS-DL-30M	<b>126695</b>	INS-DL-30M-CR	0.6	39.7	18.0	62.0	4.8	56.4	M5	15.9	23.8	40.1
207	1-1/4	<b>128652</b>	INS-DL-104	<b>126689</b>	INS-DL-104-CR	1.8	1-3/4	0.7480	2.8346	0.202	2-11/16	1/4	11/16	1-1/16	1-27/32
	1-3/8	<b>128653</b>	INS-DL-106	@	INS-DL-106-CR*	1.8									
	1-7/16	<b>128654</b>	INS-DL-107	<b>052093</b>	INS-DL-107-CR	1.7									
	35mm	<b>126632</b>	INS-DL-35M	<b>126696</b>	INS-DL-35M-CR	0.8	44.5	19.0	72.0	5.1	68.3	M6	17.5	27.0	46.8
208	1-1/2	<b>128655</b>	INS-DL-108	<b>126690</b>	INS-DL-108-CR	2.2	2	0.8661	3.1496	0.224	2-47/64	1/4	3/4	1-1/4	2-3/64
	40mm	<b>126633</b>	INS-DL-40M	<b>126697</b>	INS-DL-40M-CR	1.0	50.8	22.0	80.0	5.7	69.5	M6	19.1	31.8	52.0
209	1-5/8	<b>128656</b>	INS-DL-110L	@	INS-DL-110L-CR*	2.5	2	0.8661	3.3465	0.248	2-63/64	1/4	3/4	1-1/4	2-7/32
	1-11/16	<b>128657</b>	INS-DL-111	<b>126691</b>	INS-DL-111-CR	2.5									
	1-3/4	<b>128658</b>	INS-DL-112	@	INS-DL-112-CR*	2.5									
	45mm	<b>126634</b>	INS-DL-45M	<b>126698</b>	INS-DL-45M-CR	1.2	50.8	22.2	85.8	6.4	75.8	M6	19.1	31.8	56.9
210	1-11/16	<b>128672</b>	INS-DLM-111	@	INS-DLM-111-CR	3.0	2-3/32	0.8661	3.5433	0.248	3-15/64	1/4	3/4	1-11/32	2-7/16
	1-15/16	<b>128659</b>	INS-DL-115	<b>126692</b>	INS-DL-115-CR	3.0									
	2	<b>128660</b>	INS-DL-200	<b>053986</b>	INS-DL-200-CR*	3.0									
	50mm	<b>126635</b>	INS-DL-50M	<b>126699</b>	INS-DL-50M-CR	1.4	53.2	22.0	90.0	6.3	82.1	M6	19.1	34.1	61.9

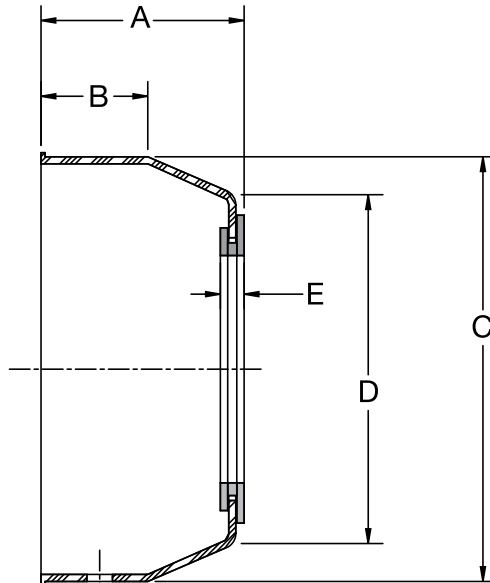
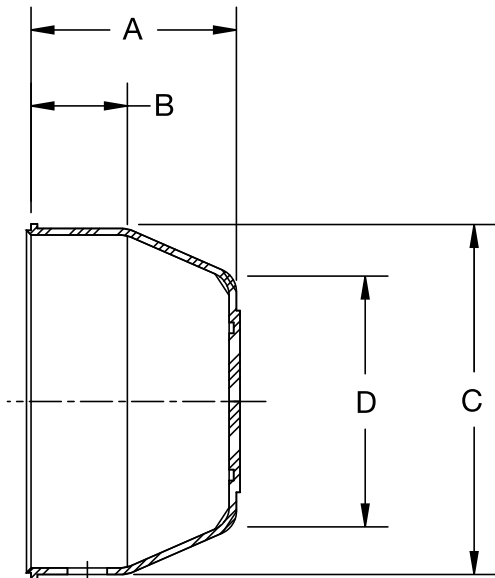
@ Assembled to order

\* 20 piece minimum



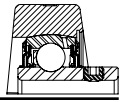
# ACCESSORIES

## E-Z KLEEN/ULTRA KLEEN Mounted Bearings Polymer and Stainless Steel Housed End Closures



Series	For Shaft Size	Closed End Closure Part Number	Description	A	B	C	D	Open End Closure Part Number	Description	A	B	C	D	E
204	3/4	128960	ECC-EZ-204	1-1/8	17/32	1-29/32	1-3/8	128974	ECO-EZ-012	1-3/16	17/32	1-29/32	1-3/8	3/16
	20mm			28.7	13.5	48.4	35.1	128991	ECO-EZ-20M	30.2	13.5	48.4	35.1	4.9
205	1	128961	ECC-EZ-205	3/16	17/32	2-11/64	1-39/64	128975	ECO-EZ-100	1-1/4	17/32	2-11/64	1-39/64	3/16
	25mm			30.2	13.5	55.1	40.9	128992	ECO-EZ-25M	31.8	13.5	55.1	40.9	4.9
206	1-3/16	128962	ECC-EZ-206	1-21/64	9/16	2-1/2	31/32	128976	ECO-EZ-103	1-25/64	9/16	2-1/2	31/32	3/16
	1-1/4			33.8	14.2	63.5	50.0	128989	ECO-EZ-104S					
	30mm			35.3	14.2	63.5	50.0	128993	ECO-EZ-30M	35.3	14.2	63.5	50.0	4.9
207	1-1/4	128963	ECC-EZ-207	1-15/32	11/16	2-29/32	2-5/16	128977	ECO-EZ-104	1-17/32	11/16	2-29/32	2-5/16	3/16
	1-7/16			37.3	17.5	73.9	58.9	128990	ECO-EZ-107					
	35mm			38.9	17.5	73.9	58.9	128994	ECO-EZ-35M	38.9	17.5	73.9	58.9	4.9
208	1-1/2	128964	ECC-EZ-208	1-35/64	11/16	3-5/16	2-49/64	128978	ECO-EZ-108	1-19/32	11/16	3-5/16	2-49/64	13/64
	40mm			39.1	17.5	84.1	70.1	128996	ECO-EZ-40M	40.6	17.5	84.1	70.1	5.1
209	1-11/16	128965	ECC-EZ-209	1-19/32	23/32	3-1/2	2-7/8	@	ECO-EZ-111	1-21/32	23/32	3-1/2	2-7/8	13/64
	45mm			40.4	18.3	88.9	72.9	@	ECO-EZ-45M	41.9	18.3	88.9	72.9	5.1
210	1-15/16	128966	ECC-EZ-210	1-21/32	29/32	3-5/8	3	128980	ECO-EZ-115	1-23/32	29/32	3-5/8	3	13/64
	50mm			42.2	23.1	91.4	76.2	128997	ECO-EZ-50M	43.7	23.1	91.4	76.2	5.1

@ Assembled to order

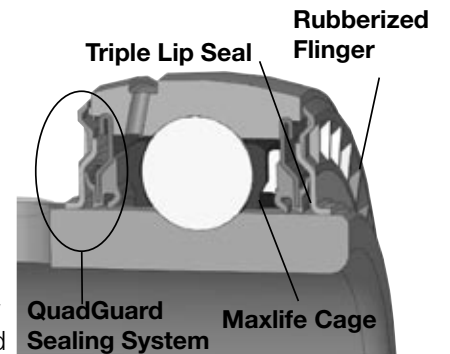


## Extreme Duty Set Screw Ball Bearings

The DODGE SC/SCMED Extreme Duty ball bearing offers extended life in the toughest industrial applications. Incorporating patented DODGE-only features such as the QuadGuard sealing system and the Maxlife ball cage, the DODGE SCED/SCMED bearing outperforms the competition in demanding environments where increasing equipment uptime is critical to success. Extreme conditions require highly-engineered products that will last. The DODGE Extreme Duty ball bearing is up to the challenge

**Insert:** The Dodge Extreme Duty ball bearing incorporates 65° degree set screws that provide maximum locking force without compromising the strength of the inner ring. The inserts also include an anti-rotation pin that prevents the insert from rotating in the housing under load which causes premature failure.

**Sealing:** The SCED uses the patented QuadGuard sealing system that offers superior protection in tough environments where there is significant risk of contamination. Industries such as aggregate, cement, paper, wood products and metals require a sealing system that will extend the life of the bearing in harsh conditions. There are two major components to the QuadGuard design. The first is a unique triple-lip seal design that maximizes sealing without sacrificing the speed rating compared to a single lip design. The Dodge patented triple-lip design uses a mechanically retained seal where there are two contact points on the inner ring and one that rides against the flinger surface. Three points of contact maximize the ability of the bearing to guard against contamination and keep in lubricants. The QuadGuard seal also incorporates the industry's first and only patented rubberized flinger. This flinger uses molded rubber to provide additional protection from contaminants entering the bearing. The baffle design of the rubber on the external surface of the flinger enhances the removal of liquid as it rotates. Grease chambers on the internal surface prevent lubricants from exiting the bearing. This superior design will increase service life in dirty environments thus leading to extended up-time for our customers. When used in conjunction with one another, the triple-lip seal and rubberized flinger create a sealing system that is perfect for demanding environments.



### Retainer:

The Maxlife Cage is the product of extensive research and development in retainer technology and industry leading engineering. The cage consists of a two-piece design that creates a grease compartment around each of the rolling elements. These compartments allow balls to be constantly in contact with grease, so a good oil film will always exist to prevent wear and minimize friction and heat. The Maxlife cage reduces the relative motion between the components and the grease which results in lower operating temperatures and extended life. The compartmental construction of the cage tends to hold in the grease and prevent it from being washed out in extremely wet or dirty conditions. This feature allows for extended life and the ability for the bearing to be relubricated with less frequency than standard designs.

### Lubrication:

- Synthetic Grease
- SHC 220 PM Synthetic Grease Standard
- Extends grease Life. Less Maintenance Required
- Cooler operating temperatures
- Extends life in wet applications

### Housings:

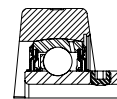
- Cast Iron
  - Pillow blocks
  - 2 and 4 –bolt flange bearings
  - Tapped-base pillow blocks
  - Piloted Flange
  - Wide and narrow slot take-up bearings



### End-Covers:



Dodge Extreme Duty ball bearings contain a machined groove in the housing to accommodate a snap-on style polymer end-cover as a standard feature. The end-cover provides additional protection from the environment and creates a safer working environment for employees maintaining equipment. The snap-on style end-cover incorporates an additional lip on the mounting surface for a more rigid fit within the housing and enhanced sealing. The design is more durable than a bolt-on style that uses the grease fitting to secure the cover in place and can be easily knocked off the bearing housings. Closed and open end-covers are available.



## EASY SELECTION

### Selection of Extreme Duty Set Screw Ball Bearings

DODGE Extreme Duty mounted ball bearings are primarily designed for radial loading. However, they have the capacity to carry thrust loads and combined radial/thrust loads. The maximum recommended load which can be applied is limited by various components in the system, such as bearing, housing, shaft attachments, speed and life requirements as listed in this catalog and the instruction manual that accompanies each bearing. DODGE Extreme Duty ball bearings have been applied successfully when these limits have been exceeded under controlled operating conditions. Contact DODGE Engineering for applications which exceed these recommendations.

Select a bearing from the Selection Table that has a radial load rating at the operating speed equal to or greater than the calculated Equivalent Radial Load for a desired  $L_{10}$  life. This simple method is all that is required for the majority of general applications and provides for occasional average shock loads.

**$L_{10}$  Hours Life**-the life which may be expected for at least 90% of a given group of bearings operating under identical conditions.

**Heavy Service**-For heavy shock loads, frequent shock loads or severe vibrations, add up to 50% (according to severity of conditions) to the Equivalent Radial Load to obtain a Modified Equivalent Radial Load. Consult Application Engineering for additional selection assistance.

A maximum thrust load value of  $C/10$  is recommended as a guide for general applications and will give adequate  $L_{10}$  life. If the thrust load exceeds this limit, it is advisable to use auxiliary thrust carrying devices, such as a shaft shoulder, snap ring, or a thrust collar. Where substantial radial load pulls the housing away from the mounting base, both the hold-down bolts and housing must be of adequate strength. Auxiliary load carrying devices, such as shear bars, are advisable for side or end-loading of pillow blocks and radial loads for flange units.

To determine the  $L_{10}$  hours life for loads and RPMs not listed use the following equation:

$$L_{10} = \left( \frac{C}{P} \right)^3 \left( \frac{16,667}{n} \right)$$

Where:

$L_{10}$  = Life, hours

C = Dynamic Capacity, lbs. or N

P = Equivalent Radial Load, lbs. or N

n = Revolutions per minute

When the load on a ball bearing is solely a radial load with no thrust (axial) load, the Equivalent Radial Load (P) is equal to the actual radial load. However, when a thrust (axial) load is applied, the radial and thrust loads applied must be converted into an Equivalent Radial Load. Use X (radial factor) and Y (thrust factor) from Table 1 to convert the actual applied thrust and radial loads to an Equivalent Radial Load which has the same effect on the life of a bearing as a radial load of this magnitude.

$$P = XF_R + YF_A$$

Where:

P = Equivalent Radial Load, lbs.

$F_R$  = Radial load, lbs.

$F_A$  = Thrust load, lbs.

e = Thrust load to radial load factor (Table 1)

X = Radial load factor (Table 1)

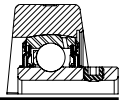
Y = Thrust Factor (Table 1)

$C_0$  = Basic static capacity (Selection Table)

To find X and Y, first calculate  $F_A/C_0$  to determine e.

Calculate  $F_A/F_R$  and compare to e to determine the X and Y factors to use from Table 1.

Shaft Tolerances		
Normal Shaft Size	Commercial Shaft Tolerance	Recommended Shaft Tolerances Setscrew Ball Bearing Inches
	Inches	
Up to 1-1/2"	+0.000 -0.002	+0.0000 -0.0005
Over 1-1/2" to 2-1/2"	+0.000 -0.003	+0.0000 -0.0010
Over 2-1/2" to 4"	+0.000 -0.004	+0.0000 -0.0010



## Selection of Extreme Duty Set Screw Ball Bearings

Table 1

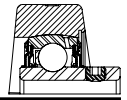
FA/CO	e	Radial/Thrust Factors			
		If FA/FR is equal to or less than e		If FA/FR is greater than e	
		FA/FR ≤ e		FA/FR > e	
		X	Y	X	Y
0.014	0.19	1	0	0.56	2.30
0.021	0.21	1	0	0.56	2.15
0.028	0.22	1	0	0.56	1.99
0.042	0.24	1	0	0.56	1.85
0.056	0.26	1	0	0.56	1.71
0.07	0.27	1	0	0.56	1.63
0.084	0.28	1	0	0.56	1.55
0.11	0.30	1	0	0.56	1.45
0.17	0.34	1	0	0.56	1.31
0.28	0.38	1	0	0.56	1.15
0.42	0.42	1	0	0.56	1.04
0.56	0.44	1	0	0.56	1

**Lubrication-** DODGE Ball Bearings are lubricated at the factory and are ready to run. The bearings are initially lubricated with a lithium complex grease and should be relubricated with the same or some equivalent. For high speeds, high loads, extreme temperatures and other abnormal operating conditions, special greases may be required. Contact DODGE Application Engineering for recommendations on these types of applications.

**Misalignment -** DODGE Ball Bearings are designed to allow a maximum of 2° static misalignment. These bearings are not suitable for dynamic misalignment. To ensure good alignment, mounting surfaces must be checked for flatness and must lie in the same plane. When tightening base bolts, each bolt should be alternately tightening in incremental torque values until full torque is achieved to prevent the angular shifting of the pillow block that occurs when one bolt is tightened to its full torque. Shimming may be required to minimize misalignment.

Substitute all known values into the Equivalent Radial Load equation. The Equivalent Radial Load (P) thus determined can be used in the L10 life formula or compared to the allowable Equivalent Radial Load rating desired in the expanded rating chart to select a bearing (Selection Table).

If calculated value of P is less than  $F_R$ , use  $P=F_R$ .



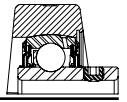
# Extreme Duty SCED/SCMED

Ring Size	Shaft Size		Dynamic Capacity C, lbs.	Static Capacity Co, lbs.	L <sub>10</sub> Life - Hours	Allowable Equivalent Radial Load Rating (lbs.) at Various RPM*											
	SCED	SCMED				50	150	250	500	750	1000	1250	1500	1600	1750	2000	2250
204	1/2 5/8 3/4 13/16 20mm		2899	1390	20000	741	513	433	344	300	273	253	238	233	226	217	208
					30000	647	449	378	300	262	238	221	208	204	198	189	182
					40000	588	408	344	273	238	217	201	189	185	180	172	165
					60000	513	356	300	238	208	189	176	165	162	157	150	144
					100000	433	300	253	201	176	160	148	139	136	132	127	122
205	7/8 15/16 1 25mm		3146	1565	20000	804	557	470	373	326	296	275	259	253	246	235	226
					30000	702	487	411	326	285	259	240	226	221	215	205	17
					40000	638	442	373	296	259	235	218	205	201	195	187	179
					60000	557	386	326	259	226	205	191	179	176	170	163	157
					100000	470	326	275	218	191	173	161	151	148	144	137	132
206	1-1/16 1-1/8 1-3/16 1-1/4 30mm	1 25mm	4368	2250	20000	1116	774	652	518	452	411	382	359	351	341	326	314
					30000	975	676	570	452	395	359	333	314	307	298	285	274
					40000	886	614	518	411	359	326	303	285	279	271	259	249
					60000	774	536	452	359	314	285	265	249	244	237	226	217
					100000	652	452	382	303	265	240	223	210	206	199	191	183
207	1-1/4 1-5/16 1-3/8 1-7/16 35mm	1-3/16 1-1/4 30mm	5759	3065	20000	1471	1020	860	683	596	542	503	473	463	450	430	414
					30000	1285	891	752	596	521	473	439	414	405	393	376	361
					40000	1168	810	683	542	473	430	399	376	368	357	341	328
					60000	1020	707	596	473	414	376	349	328	321	312	298	287
					100000	860	596	503	399	349	317	294	277	271	263	252	242
208	1-1/2 1-5/8 40mm	1-7/16 1-1/2 35mm	7332	4005	20000	1873	1299	1095	869	759	690	641	603	590	573	548	527
					30000	1636	1134	957	759	663	603	560	527	515	500	478	460
					40000	1487	1031	869	690	603	548	508	478	468	454	435	418
					60000	1299	900	759	603	527	478	444	418	409	397	380	365
					100000	1095	759	641	508	444	403	375	352	345	335	320	308
209	1-5/8 1-11/16 1-3/4 45mm	1-1/2 40mm	7891	4450	20000	1597	1107	934	741	648	588	546	514	503	488	467	449
					30000	1395	967	816	648	566	514	477	449	439	426	408	392
					40000	1268	879	741	588	514	467	433	408	399	388	371	356
					60000	1107	768	648	514	449	408	379	356	349	339	324	311
					100000	934	648	546	433	379	344	319	301	294	286	273	263
210	1-15/16 2 50mm	1-11/16 1-3/4 45mm	7891	4450	20000	2016	1398	1179	936	817	743	689	649	635	616	589	567
					30000	1761	1221	1030	817	714	649	602	567	555	538	515	495
					40000	1600	1109	936	743	649	589	547	515	504	489	468	450
					60000	1398	969	817	649	567	515	478	450	440	427	409	393
					100000	1179	817	689	547	478	434	403	379	371	360	345	331
211	2 2-3/16 2-1/4 55mm	1-15/16 2 50mm	9755	5630	20000	2492	1728	1457	1157	1010	918	852	802	785	762	729	701
					30000	2177	1509	1273	1010	883	802	744	701	686	665	636	612
					40000	1978	1371	1157	918	802	729	676	636	623	605	578	556
					60000	1728	1198	1010	802	701	636	591	556	544	528	505	486
					100000	1457	1010	852	676	591	537	498	469	459	445	426	410
212	2-1/4 2-7/16 60mm	2-3/16 2-1/4 55mm	11791	6955	20000	3012	2088	1761	1398	1221	1110	1030	969	949	921	881	847
					30000	2631	1824	1539	1221	1067	969	900	847	829	804	769	740
					40000	2391	1657	1398	1110	969	881	818	769	753	731	699	672
					60000	2088	1448	1221	969	847	769	714	672	658	638	611	587
					100000	1761	1221	1030	818	714	649	602	567	555	538	515	495
214	2-11/16 70mm	2-7/16 2-1/2 65mm	13995	8410	20000	3575	2479	2091	1659	1450	1317	1223	1150	1126	1093	1045	1005
					30000	3123	2165	1826	1450	1266	1150	1068	1005	984	955	913	878
					40000	2837	1967	1659	1317	1150	1045	970	913	894	867	830	798
					60000	2479	1719	1450	1150	1005	913	848	798	781	758	725	697
					100000	2091	1450	1223	970	848	770	715	673	658	639	611	588
215	2-15/16 75mm	2-11/16 70mm	14872	9255	20000	3799	2634	2222	1763	1540	1400	1299	1223	1197	1161	1111	1068
					30000	3319	2301	1941	1540	1346	1223	1135	1068	1045	1015	970	933
					40000	3015	2091	1763	1400	1223	1111	1031	970	950	922	882	848
					60000	2634	1826	1540	1223	1068	970	901	848	830	805	770	741
					100000	2222	1540	1299	1031	901	818	760	715	700	679	650	625
216	2-15/16 3 75mm	2-15/16 3 75mm	17407	11015	20000	4446	3083	2600	2064	1803	1638	1521	1431	1401	1359	1300	
					30000	3884	2693	2272	1803	1575	1431	1328	1250	1223	1187	1136	
					40000	3529	2447	2064	1638	1431	1300	1207	1136	1112	1079	1032	
					60000	3083	2138	1803	1431	1250	1136	1054	992	971	942	901	
					100000	2600	1803	1521	1207	1054	958	889	837	819	795	760	
218	3-7/16 3-1/2 85mm		21451	13940	20000	5479	3799	3204	2543	2222	2019	1874	1763	1726			
					30000	4787	3319	2799	2222	1941	1763	1637	1541	1508			
					40000	4349	3015	2543	2019	1763	1602	1487	1400	1370			
					60000	3799	2634	2222	1763	1541	1400	1299	1223	1197			
					100000	3204	2222	1874	1487	1299	1181	1096	1031	1009			

\* Slight interference fit required when operating on the right of the heavy line or in the shaded area.

^ Piloted flange only





# Extreme Duty SCED/SCMED

Ring Size	Shaft Size		Dynamic Capacity C, lbs.	Static Capacity C <sub>0</sub> , lbs.	L <sub>10</sub> Life - Hours	Allowable Equivalent Radial Load Rating (lbs.) at Various RPM*											
	SCED	SCMED				2500	2750	3000	3250	3500	3600	4000	4500	5000	5250	5500	6000
204	1/2 5/8 3/4 13/16 20mm		2899	1390	20000	201	195	189	184	180	178	172	165	160	157	155	150
					30000	176	170	165	161	157	155	150	144	139	137	135	131
					40000	160	155	150	146	143	141	136	131	127	125	123	119
					60000	139	135	131	128	125	123	119	115	111	109	107	104
					100000	118	114	111	108	105	104	101	97	93	92	90	88
205	7/8 15/16 1 25mm		3146	1565	20000	218	211	205	200	195	193	187	179	173	170	168	163
					30000	191	185	179	175	170	169	163	157	151	149	147	142
					40000	173	168	163	159	155	153	148	142	137	135	133	129
					60000	151	147	142	139	135	134	129	124	120	118	116	113
					100000	128	124	120	117	114	113	109	105	101	100	98	95
206	1-1/16 1-1/8 1-3/16 1-1/4 30mm	1 25mm	4368	2250	20000	303	293	285	278	271	268	259	249	240	237		
					30000	265	256	249	242	237	234	226	217	210	207		
					40000	240	233	226	220	215	213	206	198	191	188		
					60000	210	203	198	192	188	186	180	173	167	164		
					100000	177	172	167	162	158	157	151	146	141	138		
207	1-1/4 1-5/16 1-3/8 1-7/16 35mm	1-3/16 1-1/4 30mm	5759	3065	20000	399	387	376	366	357	354	341	328				
					30000	349	338	328	320	312	309	298	287				
					40000	317	307	298	290	283	281	271	261				
					60000	277	268	261	254	247	245	237	228				
					100000	234	226	220	214	209	207	200	192				
208	1-1/2 1-5/8 40mm	1-7/16 1-1/2 <sup>▲</sup> 35mm	7332	4005	20000	508	492	478	466	454	450	435					
					30000	444	430	418	407	397	393	380					
					40000	403	391	380	370	361	357	345					
					60000	352	341	332	323	315	312	301					
					100000	297	288	280	272	266	263	254					
209	1-5/8 1-11/16 1-3/4 45mm	1-1/2 40mm	7891	4450	20000	433	420	515	397	388	384	371					
					30000	379	367	450	347	339	335	324					
					40000	344	333	409	315	308	305	24					
					60000	301	291	357	275	269	266	257					
					100000	254	246	301	232	227	224	217					
210	1-15/16 2 50mm	1-11/16 1-3/4 45mm	7891	4450	20000	547	530	515	501	489	485						
					30000	478	463	450	438	427	423						
					40000	434	421	409	398	388	385						
					60000	379	367	357	348	339	336						
					100000	320	310	301	293	286	283						
211	2 2-3/16 2-1/4 55mm	1-15/16 2 50mm	9755	5630	20000	676	655	636	620								
					30000	591	572	556	541								
					40000	537	520	505	492								
					60000	469	454	441	430								
					100000	396	383	372	362								
212	2-1/4 2-7/16 60mm	2-3/16 2-1/4 55mm	11791	6955	20000	818	792										
					30000	714	692										
					40000	649	629										
					60000	567	549										
					100000	478	463										
214	2-11/16 70mm	2-7/16 2-1/2 65mm	13995	8410	20000	970											
					30000	848											
					40000	770											
					60000	673											
					100000	567											
215	2-15/16 75mm	2-11/16 70mm	14872	9255	20000	1031											
					30000	901											
					40000	818											
					60000	715											
					100000	603											
216		2-15/16 3 75mm	17407	11015	20000												
					30000												
					40000												
					60000												
					100000												
218		3-7/16 3-1/2 85mm	21451	13940	20000												
					30000												
					40000												
					60000												
					100000												

\* Slight interference fit required when operating on the right of the heavy line or in the shaded area.

▲ Piloted flange only

ULTRA KLEEN

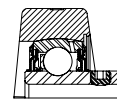
E-Z KLEEN

EXTREME DUTY

IMPERIAL-HD

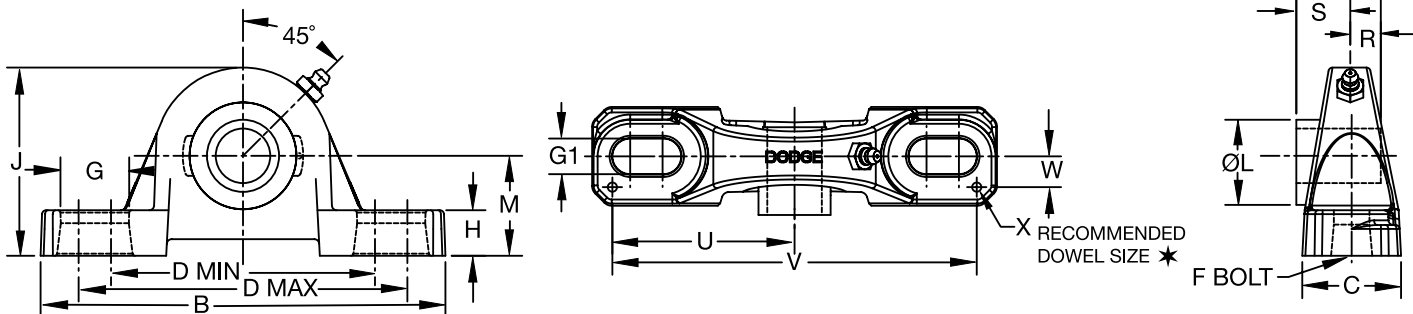
S2000-HD

PART NUMBER INDEX



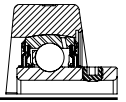
# SELECTION/DIMENSIONS

## EXTREME DUTY SETSCREW BALL BEARINGS SCED AND SCUED NORMAL DUTY PILLOW BLOCKS



Series	Shaft Size	Standard Part No.	Description
204	1/2	@	P2B-SCED-008L
	5/8	@	P2B-SCED-010L
	3/4	<b>076000</b>	P2B-SCED-012
	20mm	<b>076220</b>	<i>P2B-SCED-20M</i>
205	7/8	@	P2B-SCED-014
	15/16	@	P2B-SCED-015
	1	<b>076001</b>	P2B-SCED-100
	25mm	<b>076221</b>	<i>P2B-SCED-25M</i>
206	1-1/16	@	P2B-SCED-101
	1-1/8	<b>076002</b>	P2B-SCED-102
	1-3/16	<b>076003</b>	P2B-SCED-103
	1-1/4	<b>076004</b>	P2B-SCED-104S
	30mm	<b>076222</b>	<i>P2B-SCED-30M</i>
206 (SCU)	1-1/16	@	P2B-SCUED-101
	1-1/8	@	P2B-SCUED-102
	1-3/16	@	P2B-SCUED-103
	1-1/4	@	P2B-SCUED-104S
	30mm	@	<i>P2B-SCUED-30M</i>
207	1-1/4	<b>076005</b>	P2B-SCED-104
	1-5/16	@	P2B-SCED-105
	1-3/8	<b>076006</b>	P2B-SCED-106
	1-7/16	<b>076007</b>	P2B-SCED-107
	35mm	<b>076223</b>	<i>P2B-SCED-35M</i>

@ Assembled to order.



**EXTREME DUTY SETSCREW BALL BEARINGS  
SCED AND SCUED NORMAL DUTY PILLOW BLOCKS**

Series	Shaft Size	Weight lbs. kgs	A	B	C	D		F Bolt Dia.	G	H
						Min.	Max.			
204	1/2	1.6	1-5/32	5-1/4	1-21/64	3-3/8	4-3/16	3/8	27/32	33/64
	5/8	1.5								
	3/4	1.4								
	20mm	0.7	29.4	133.4	33.7	85.7	106.4	M10	21.4	13.1
205	7/8	1.8	1-3/16	5-1/2	1-13/32	3-11/16	4-1/2	3/8	27/32	37/64
	15/16	1.7								
	1	1.6								
	25mm	0.7	30.2	139.7	35.7	93.7	114.3	M10	21.4	14.7
206	1-1/16	2.8	1-25/64	6-1/4	1-47/64	4-1/4	5	1/2	15/16	11/16
	1-1/8	2.7								
	1-3/16	2.6								
	1-1/4	2.5								
206 (SCU)	30mm	1.1	35.3	158.8	44.1	108.0	127.0	M12	23.8	17.5
	1-1/16	2.9	1-25/64	6-1/4	1-47/64	4-1/4	5	1/2	15/16	3/4
	1-1/8	2.8								
	1-3/16	2.7								
207	1-1/4	4.5	1-17/32	6-1/2	1-47/64	4-11/16	5-7/16	1/2	15/16	45/64
	1-5/16	4.4								
	1-3/8	4.3								
	1-7/16	4.2								
207	35mm	1.5	38.9	165.1	44.1	119.1	138.1	M12	23.8	17.9

Series	Shaft Size	J	L	M	R	S	U	V	W	X
204	1/2	2-9/16	1-1/8	1-5/16	27/64	47/64	2-1/4	4-1/2	1/2	1/8
	5/8									
	3/4									
	20mm	65.1	28.6	33.3	10.7	18.7	57.2	114.3	12.7	3.2
205	7/8	2-25/32	1-5/16	1-7/16	27/64	49/64	2-1/2	5	1/2	3/16
	15/16									
	1									
	25mm	70.6	33.3	36.5	10.7	19.4	63.5	127.0	12.7	4.8
206	1-1/16	3-1/4	1-37/64	1-5/8	31/64	29/32	2-7/8	5-3/4	9/16	3/16
	1-1/8									
	1-3/16									
	1-1/4									
206 (SCU)	30mm	82.6	40.1	41.3	12.3	23.0	73.0	146.1	14.3	4.8
	1-1/16	3-5/16	1-37/64	1-11/16	31/64	29/32	2-7/8	5-3/4	9/16	3/16
	1-1/8									
	1-3/16									
207	1-1/4	3-3/4	1-27/32	1-7/8	1/2	1-1/32	2-29/32	5-13/16	9/16	3/16
	1-5/16									
	1-3/8									
	1-7/16									
207	35mm	95.3	46.8	47.6	12.7	26.2	73.8	147.6	14.3	4.8

ULTRA KLEEN

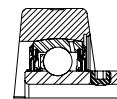
E-Z KLEEN

EXTREME DUTY

IMPERIAL-HD

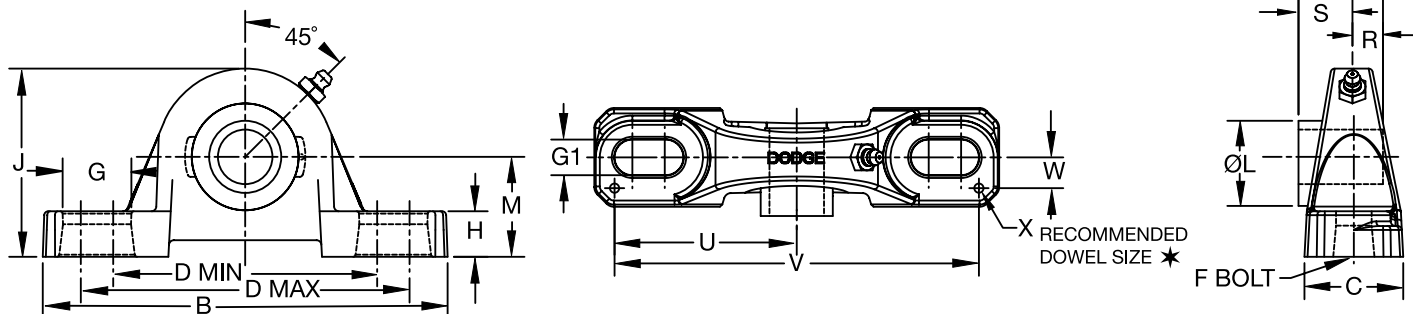
S2000-HD

PART NUMBER INDEX



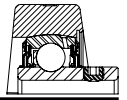
# SELECTION/DIMENSIONS

## Extreme Duty Setscrew Ball Bearings SCED AND SCUED NORMAL DUTY PILLOW BLOCKS



Series	Shaft Size	Standard Part No.	Description
208	1-1/2	<b>076008</b>	P2B-SCED-108
	1-5/8	@	P2B-SCED-110
	40mm	<b>076224</b>	P2B-SCED-40M
209	1-5/8	@	P2B-SCED-110L
	1-11/16	<b>076009</b>	P2B-SCED-111
	1-3/4	<b>076010</b>	P2B-SCED-112
	45mm	<b>076225</b>	P2B-SCED-45M
210	1-15/16	<b>076011</b>	P2B-SCED-115
	2	<b>076012</b>	P2B-SCED-200
	50mm	<b>076226</b>	P2B-SCED-50M
211	2	<b>076132</b>	P2B-SCMED-200
	2-3/16	<b>076133</b>	P2B-SCMED-203
	2-1/4	@	P2B-SCED-204
	55mm	<b>076227</b>	P2B-SCED-55M
212	2-1/4	@	P2B-SCMED-204
	2-7/16	<b>076014</b>	P2B-SCED-207
214	60mm	<b>076228</b>	P2B-SCED-60M
	2-1/2	<b>076135</b>	P2B-SCMED-208
	2-11/16	<b>076015</b>	P2B-SCED-211
215	70mm	<b>076229</b>	P2B-SCED-70M
	2-15/16	<b>076016</b>	P2B-SCED-215
215 (SCU)	75mm	<b>076230</b>	P2B-SCED-75M
	2-15/16	@	P2B-SCUED-215
218	75mm	@	P2B-SCUED-75M
	90mm	@	P2B-SCED-90M

@ Assembled to order



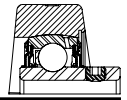
# SELECTION/DIMENSIONS

## Extreme Duty Setscrew Ball Bearings SCED AND SCUED NORMAL DUTY PILLOW BLOCKS

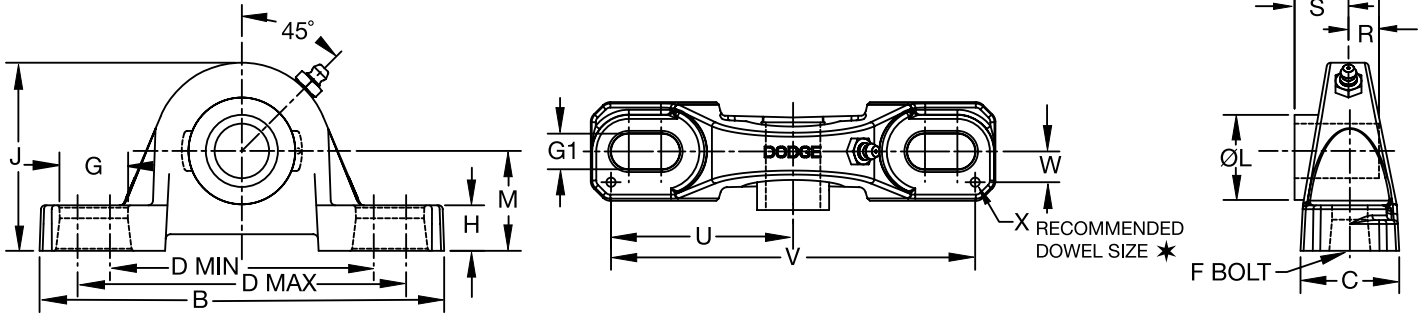
Series	Shaft Size	Weight lbs. kgs	A	B	C	D		F Bolt Dia.	G	H
						Min.	Max.			
208	1-1/2	5.4	1-11/16	7-1/4	1-15/16	5-3/16	5-7/8	1/2	29/32	15/16
	1-5/8	5.3								
	40mm	2.2	42.9	184.2	49.2	131.8	149.2	M12	23.0	23.8
209	1-5/8	6.6	1-23/32	7-7/16	2	5-1/2	6-3/16	1/2	29/32	3/4
	1-11/16	6.4								
	1-3/4	6.2	43.7	188.9	50.8	139.7	161.9	M12	23.0	19.1
210	1-15/16	7.2	1-3/4	8-1/8	2-1/4	6	6-11/16	5/8	1-1/16	3/4
	2	7.0								
	50mm	2.6	44.5	206.4	57.2	152.4	169.9	M16	27.0	19.1
211	2	9.0	1-27/32	8-7/8	2-5/16	6-3/8	7-7/16	5/8	1-7/32	7/8
	2-3/16	8.9								
	2-1/4	8.8	46.8	225.4	58.7	161.9	188.9	M16	31.0	22.2
212	2-1/4	10.8	1-63/64	9-1/2	2-3/8	6-7/8	7-15/16	5/8	1-7/32	7/8
	2-7/16	10.2								
	60mm	4.2	50.4	241.3	60.3	174.6	201.6	M16	31.0	22.2
214	2-1/2	15.5	2-15/64	10-3/4	2-11/16	7-1/2	8-1/2	3/4	1-5/16	15/16
	2-11/16	15.0								
	70mm	6.9	56.8	273.1	68.3	190.5	215.9	M18	33.3	23.8
215	2-15/16	20.5	2-9/32	11-3/4	2-7/8	8-1/2	9-1/2	7/8	1-7/16	1
	75mm	7.9	57.9	298.5	73.0	215.9	241.3	M22	36.5	25.4
215 (SCU)	2-15/16	20.7	2-9/32	11-3/4	2-7/8	8-1/2	9-1/2	7/8	1-7/16	1
	75mm	8.0	57.9	298.5	73.0	215.9	241.3	M22	36.5	25.4
218	90mm	13.6	63.1	355.6	85.7	261.9	295.3	M22	40.5	33.3

Series	Shaft Size	J	L	M	R	S	U	V	W	X
208	1-1/2	4-3/16	2-3/64	2-1/8	19/32	1-3/32	3-17/64	6-17/32	11/16	3/16
	1-5/8									
	40mm	106.4	52.0	54.0	15.1	27.8	82.9	165.9	17.5	4.8
209	1-5/8	4-9/32	2-7/32	2-1/8	19/32	1-1/8	3-3/8	6-3/4	11/16	3/16
	1-11/16									
	1-3/4	108.7	56.4	54.0	15.1	28.6	85.7	171.5	17.5	4.8
210	1-15/16	4-17/32	2-7/16	2-1/4	19/32	1-5/32	3-11/16	7-3/8	13/16	3/16
	2									
	50mm	115.1	61.9	57.2	15.1	29.4	93.7	187.3	20.6	4.8
211	2	4-31/32	2-23/32	2-1/2	5/8	1-7/32	3-15/16	7-7/8	13/16	3/16
	2-3/16									
	2-1/4	126.2	69.1	63.5	15.9	31.0	100.0	200.0	20.6	4.8
212	2-1/4	5-13/32	2-31/32	2-3/4	43/64	1-5/16	4-1/4	8-1/2	7/8	3/16
	2-7/16									
	60mm	137.3	75.4	69.9	17.1	33.3	108.0	215.9	22.2	4.8
214	2-1/2	6-3/32	3-5/16	3	51/64	1-7/16	4-7/8	9-3/4	15/16	3/16
	2-11/16									
	70mm	154.8	84.1	76.2	20.2	36.5	123.8	247.7	23.8	4.8
215	2-15/16	6-3/4	3-5/8	3-1/2	13/16	1-15/32	5-31/64	10-31/32	1-3/64	3/16
	75mm	171.5	92.1	88.9	20.6	37.3	139.3	278.6	26.6	4.8
215 (SCU)	2-15/16	6-1/2	3-5/8	3-1/4	13/16	1-15/32	5-31/64	10-31/32	1-3/64	3/16
	75mm	165.1	92.1	82.6	20.6	37.3	139.3	278.6	26.6	4.8
218	90mm	203.2	110.7	101.6	23.4	39.7	116.7	333.4	30.2	4.8

# SELECTION/DIMENSIONS



## Extreme Duty Setscrew Ball Bearings SCBED NORMAL DUTY PILLOW BLOCKS

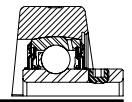


Series	Shaft Size	Part No.	Description	Weight lb. kgs	A	B	C	D		F Bolt Dia.	G	H
								Min.	Max.			
204	1/2	Ⓢ	P2B-SCBED-008L	1.6	1-5/32	5-1/4	1-21/64	3-3/8	4-3/16	3/8	27/32	29/64
	5/8	Ⓢ	P2B-SCBED-010L	1.5								
	3/4	Ⓢ	P2B-SCBED-012	1.4								
	20mm	Ⓢ	P2B-SCBED-20M	0.7	29.4	133.4	33.7	85.7	106.4	M10	21.4	11.5
205	7/8	Ⓢ	P2B-SCBED-014	1.8	1-3/16	5-1/2	1-13/32	3-11/16	4-1/2	3/8	27/32	29/64
	15/16	Ⓢ	P2B-SCBED-015	1.7								
	1	Ⓢ	P2B-SCBED-100	1.6								
	25mm	Ⓢ	P2B-SCBED-25M	0.7	30.2	139.7	35.7	93.7	114.3	M10	21.4	11.5
206	1-1/16	Ⓢ	P2B-SCBED-101	2.8	1-25/64	6-1/4	1-47/64	4-1/4	5	1/2	15/16	5/8
	1-1/8	Ⓢ	P2B-SCBED-102	2.7								
	1-3/16	Ⓢ	P2B-SCBED-103	2.6								
	30mm	Ⓢ	P2B-SCBED-30M	1.1	35.3	158.8	44.1	108.0	127.0	M12	23.8	15.9
207	1-1/4	Ⓢ	P2B-SCBED-104	4.5	1-17/32	6-1/2	1-47/64	4-11/16	5-7/16	1/2	15/16	41/64
	1-5/16	Ⓢ	P2B-SCBED-105	4.4								
	1-3/8	Ⓢ	P2B-SCBED-106	4.3								
	35mm	Ⓢ	P2B-SCBED-35M	1.5	38.9	165.1	44.1	119.1	138.1	M12	23.8	16.3

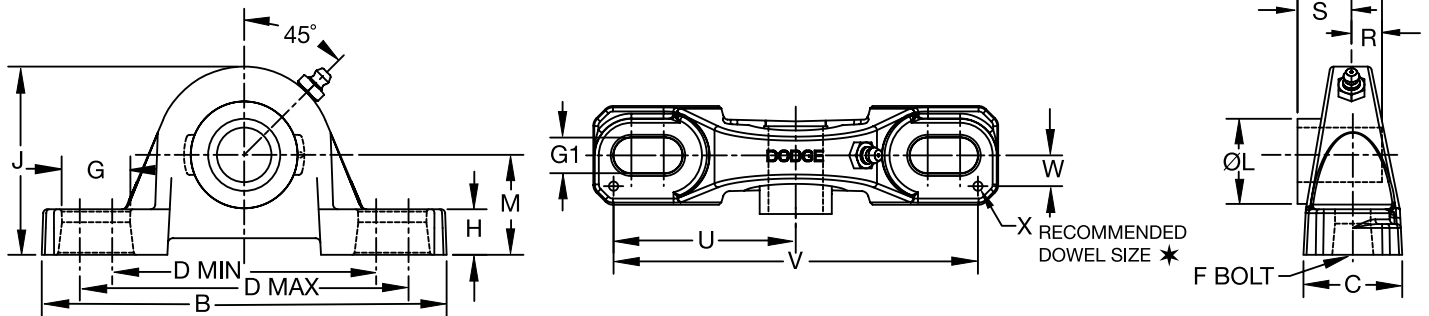
Ⓢ Assembled to order.

Series	Shaft Size	J	L	M	R	S	U	V	W	X
204	1/2	2-1/2	1-1/8	1-1/4	27/64	47/64	2-1/4	4-1/2	1/2	1/8
	5/8									
	3/4									
	20mm	63.5	28.6	31.8	10.7	18.7	57.2	114.3	12.7	3.2
205	7/8	2-21/32	1-5/16	1-5/16	27/64	49/64	2-1/2	5	1/2	3/16
	15/16									
	1									
	25mm	67.5	33.3	33.3	10.7	19.4	63.5	127.0	12.7	4.8
206	1-1/16	3-3/16	1-37/64	1-9/16	31/64	29/32	2-7/8	5-3/4	9/16	3/16
	1-1/8									
	1-3/16									
	30mm	81.0	40.1	39.7	12.3	23.0	73.0	146.1	14.3	4.8
207	1-1/4	3-11/16	1-27/32	1-13/16	1/2	1-1/32	2-29/32	5-13/16	9/16	3/16
	1-5/16									
	1-3/8									
	35mm	93.7	46.8	46.0	12.7	26.2	73.8	147.6	14.3	4.8

# SELECTION/DIMENSIONS



## Extreme Duty Setscrew Ball Bearings SCBED NORMAL DUTY PILLOW BLOCKS



Series	Shaft Size	Part No.	Description	Weight lb kg	A	B	C	D		F Bolt Dia	G	H
								Min	Max			
208	1-1/2	@	P2B-SCBED-108	5.4	1-11/16	7-1/4	1-15/16	5-3/16	5-7/8	1/2	29/32	3/4
	1-5/8	@	P2B-SCBED-110	5.3								
	40mm	@	<i>P2B-SCBED-40M</i>	2.2	42.9	184.2	49.2	131.8	149.2	M12	23.0	19.1
209	1-5/8	@	P2B-SCBED-110L	6.6	1-23/32	7-7/16	2	5-1/2	6-3/8	1/2	29/32	11/16
	1-11/16	@	P2B-SCBED-111	6.4								
	1-3/4	@	P2B-SCBED-112	6.2								
	45mm	@	<i>P2B-SCBED-45M</i>	2.2	43.7	188.9	50.8	139.7	161.9	M12	23.0	17.5
210	1-15/16	@	P2B-SCBED-115	7.2	1-3/4	8-1/8	2-1/4	6	6-11/16	5/8	1-1/64	11/16
	2	@	P2B-SCBED-200	7.0								
	50mm	@	<i>P2B-SCBED-50M</i>	2.6	44.5	206.4	57.2	152.4	169.9	M16	25.8	17.5
211	2	@	P2B-SCBED-200L	9.0	1-27/32	8-7/8	2-5/16	6-3/8	7-7/16	5/8	1-7/32	13/16
	2-3/16	@	P2B-SCBED-203	8.9								
	2-1/4	@	P2B-SCBED-204	8.8								
	55mm	@	<i>P2B-SCBED-55M</i>	3.3	46.8	225.4	58.7	161.9	188.9	M16	31.0	20.6
212	2-1/4	@	P2B-SCBED-204L	10.8	1-63/64	9-1/2	2-3/8	6-7/8	7-15/16	5/8	1-7/32	13/16
	2-7/16	@	P2B-SCBED-207	10.2								
	60mm	@	<i>P2B-SCBED-60M</i>	4.2	50.4	241.3	60.3	174.6	201.6	M16	31.0	20.6
215	2-15/16	@	P2B-SCBED-215	20.5	2-9/32	11-3/4	2-7/8	8-1/2	9-1/2	7/8	1-7/16	1-1/16
	75mm	@	<i>P2B-SCBED-75M</i>	7.9	57.9	298.5	73.0	215.9	241.3	M22	36.5	27.0

@ Assembled to order.

ULTRA KLEEN

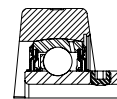
E-Z KLEEN

EXTREME DUTY

IMPERIAL-HD

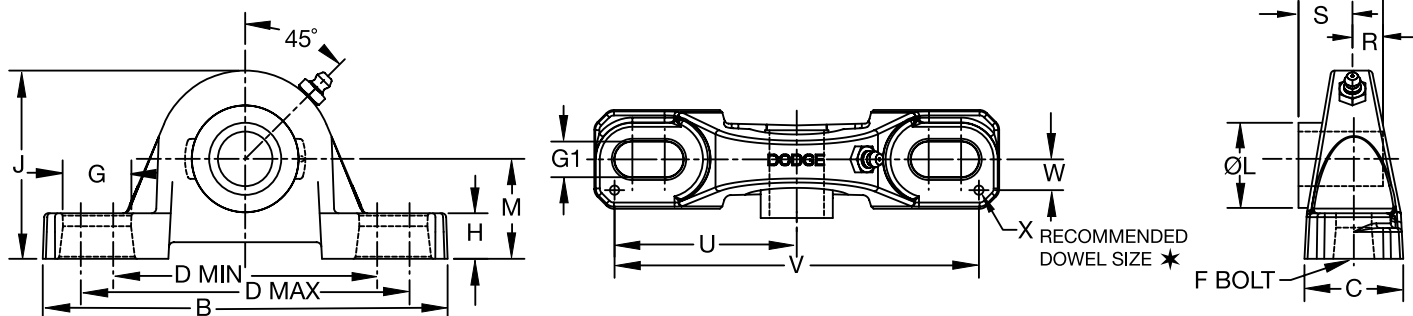
S2000-HD

PART NUMBER INDEX



# SELECTION/DIMENSIONS

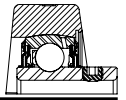
## Extreme Duty Setscrew Ball Bearings SCMED MEDIUM DUTY PILLOW BLOCKS



Series	Shaft Size	Standard Part No.	Description
206	1	<b>076125</b>	P2B-SCMED-100
	25mm	<b>076296</b>	P2B-SCMED-25M
206 (SCMU)	1	@	P2B-SCMU-100
	25mm	@	P2B-SCMU-25M
207	1-3/16	<b>076126</b>	P2B-SCMED-103
	1-1/4	<b>076005</b>	P2B-SCMED-104
	30mm	<b>076297</b>	P2B-SCMED-30M
208	1-7/16	<b>076127</b>	P2B-SCMED-107
	35mm	<b>076298</b>	P2B-SCMED-35M
209	1-1/2	<b>076128</b>	P2B-SCMED-108
	1-5/8	@	P2B-SC-110L
	40mm	<b>076299</b>	P2B-SCMED-40M
210	1-11/16	<b>076129</b>	P2B-SCMED-111
	1-3/4	<b>076130</b>	P2B-SCMED-112
	45mm	<b>076300</b>	P2B-SCMED-45M
211	1-15/16	<b>076131</b>	P2B-SCMED-115
	2	<b>076132</b>	P2B-SCMED-200
	50mm	<b>076301</b>	P2B-SCMED-50M
212	2-3/16	<b>076133</b>	P2B-SCMED-203
	2-1/4	@	P2B-SCMED-204
	55mm	<b>076302</b>	P2B-SCMED-55M
214	2-7/16	<b>076134</b>	P2B-SCMED-207
	2-1/2	<b>076135</b>	P2B-SCMED-208
	65mm	<b>076303</b>	P2B-SCMED-65M
215	2-11/16	<b>076136</b>	P2B-SCMED-211
	70mm	<b>076304</b>	P2B-SCMED-70M
216	2-15/16	<b>076137</b>	P2B-SCMED-215
	3	<b>076138</b>	P2B-SCMED-300
	75mm	<b>076305</b>	P2B-SCMED-75M
218	3-7/16	<b>076139</b>	P2B-SCMED-307
	3-1/2	<b>076140</b>	P2B-SCMED-308
	85mm	<b>076306</b>	P2B-SCMED-85M

@ Assembled to order

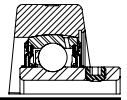




**Extreme Duty Setscrew Ball Bearings  
SCMED MEDIUM DUTY PILLOW BLOCKS**

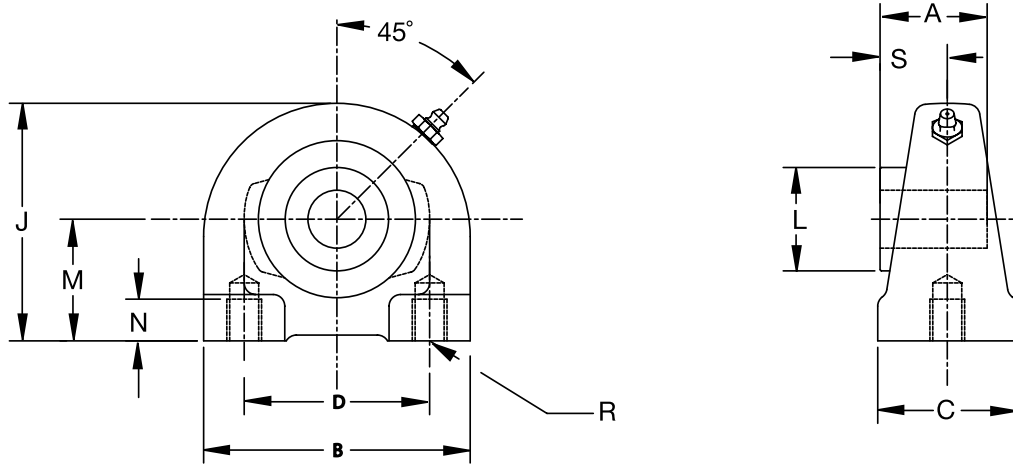
Series	Shaft Size	Weight lbs. kgs	A	B	C	D		F Bolt Dia.	G	H
						Min.	Max.			
206	1	3.0	1-25/64	6-1/4	1-47/64	4-1/4	5	1/2	15/16	3/4
	25mm	1.3	35.3	158.8	44.1	108.0	127.0	M12	23.8	19.1
206 (SCMU)	1	3.1	1-25/64	6-1/4	1-47/64	4-1/4	5	1/2	15/16	13/16
	25mm	1.4	35.3	158.8	44.1	108.0	127.0	M12	23.8	20.6
207	1-3/16	4.6	1-17/32	6-1/2	1-47/64	4-11/16	5-7/16	1/2	15/16	45/64
	1-1/4 30mm	4.2 2.0						M12	23.8	17.9
208	1-7/16	5.4	1-11/16	7-1/4	1-15/16	5-3/16	5-7/8	1/2	29/32	15/16
	35mm	2.3	42.9	184.2	49.2	131.8	149.2	M12	23.0	23.8
209	1-1/2	6.4	1-23/32	7-7/16	2	5-1/2	6-3/8	1/2	29/32	3/4
	1-5/8 40mm	6.3 2.7	43.7	188.9	50.8	139.7	161.9	M12	23.0	19.1
210	1-11/16	7.4	1-3/4	8-1/8	2-1/4	6	6-11/16	5/8	1-1/16	3/4
	1-3/4 45mm	7.3 3.2	44.5	206.4	57.2	152.4	169.9	M16	22.0	19.1
211	1-15/16	9.2	1-27/32	8-7/8	2-5/16	6-3/8	7-7/16	5/8	1-7/32	7/8
	2 50mm	9.0 3.9	46.8	225.4	58.7	161.9	188.9	M16	31.0	22.2
212	2-3/16	11.0	1-63/64	9-1/2	2-3/8	6-7/8	7-15/16	5/8	1-7/32	7/8
	2-1/4 55mm	10.8 4.7	50.4	241.3	60.3	174.6	201.6	M16	31.0	22.2
214	2-7/16	15.7	2-15/64	10-3/4	2-11/16	7-1/2	8-1/2	3/4	1-5/16	15/16
	2-1/2 65mm	15.5 6.7	56.8	273.1	68.3	190.5	215.9	M18	33.3	23.8
215	2-11/16	21.0	2-9/32	11-3/4	2-7/8	8-1/2	9-1/2	7/8	1-7/16	1
	70mm	9.0	57.9	298.5	73.0	215.9	241.3	M22	36.5	25.4
216	2-15/16	21.3	2-11/32	11-3/4	3	8-1/2	9-1/2	7/8	1-7/16	1-1/4
	3 75mm	21.1 9.0	59.5	298.5	76.2	215.9	241.3	M22	36.5	31.8
218	3-7/16	31.8	2-31/64	14	3-3/8	10-5/16	11-5/8	7/8	1-19/32	1-5/16
	3-1/2 85mm	31.3 13.6	63.1	355.6	85.7	261.9	295.3	M22	40.5	33.3

Series	Shaft Size	J	L	M	R	S	U	V	W	X
206	1	3-5/16	1-37/64	1-11/16	31/64	29/32	2-7/8	5-3/4	9/16	3/16
	25mm	84.2	40.1	41.3	12.3	23.0	73.0	146.1	14.3	4.8
206 (SCMU)	1	3-3/8	1-37/64	1-3/4	31/64	29/32	2-7/8	5-3/4	9/16	3/16
	25mm	85.7	40.1	44.5	12.3	23.0	73.0	146.1	14.3	4.8
207	1-3/16	3-3/4	1-27/32	1-7/8	1/2	1-1/32	2-29/32	5-13/16	9/16	3/16
	1-1/4 30mm	95.3	46.8	47.6	12.7	26.2	73.8	147.6	14.3	4.8
208	1-7/16	4-3/16	2-3/64	2-1/8	19/32	1-3/32	3-17/64	6-17/32	11/16	3/16
	35mm	106.4	52.0	54.0	15.1	27.8	82.9	165.9	17.5	4.8
209	1-1/2	4-9/32	2-7/32	2-1/8	19/32	1-1/8	3-3/8	6-3/4	11/16	3/16
	1-5/8 40mm	108.7	56.4	54.0	15.1	28.6	85.7	171.5	17.5	4.8
210	1-11/16	4-17/32	2-7/16	2-1/4	19/32	1-5/32	3-11/16	7-3/8	13/16	3/16
	1-3/4 45mm	115.1	61.9	57.2	15.1	29.4	93.7	187.3	20.6	4.8
211	1-15/16	4-31/32	2-23/32	2-1/2	5/8	1-7/32	3-15/16	7-7/8	13/16	3/16
	2 50mm	126.2	69.1	63.5	15.9	31.0	100.0	200.0	20.6	4.8
212	2-3/16	5-13/32	2-31/32	2-3/4	43/64	1-5/16	4-1/4	8-1/2	7/8	3/16
	2-1/4 55mm	137.3	75.4	69.9	17.1	33.3	108.0	215.9	22.2	4.8
214	2-7/16	6-3/32	3-5/16	3	51/64	1-7/16	4-7/8	9-3/4	15/16	3/16
	2-1/2 65mm	154.8	84.1	76.2	20.2	36.5	123.8	247.7	23.8	4.8
215	2-11/16	6-3/4	3-5/8	3-1/2	13/16	1-15/32	5-31/64	10-31/32	1-3/64	3/16
	70mm	171.5	92.1	88.9	20.6	37.3	139.3	278.6	26.6	4.8
216	2-15/16	6-31/32	3-53/64	3-1/2	27/32	1-1/2	5-1/2	11	1-3/32	3/16
	3 75mm	177.0	97.2	88.9	21.4	38.1	139.7	279.4	27.8	4.8
218	3-7/16	8	4-23/64	4	59/64	1-9/16	6-9/16	13-1/8	1-3/16	3/16
	3-1/2 85mm	203.2	110.7	101.6	23.4	39.7	166.7	333.4	30.2	4.8



# SELECTION/DIMENSIONS

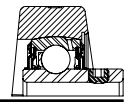
## Extreme Duty Setscrew Ball Bearings SCED NORMAL DUTY TAPPED BASE PILLOW BLOCKS



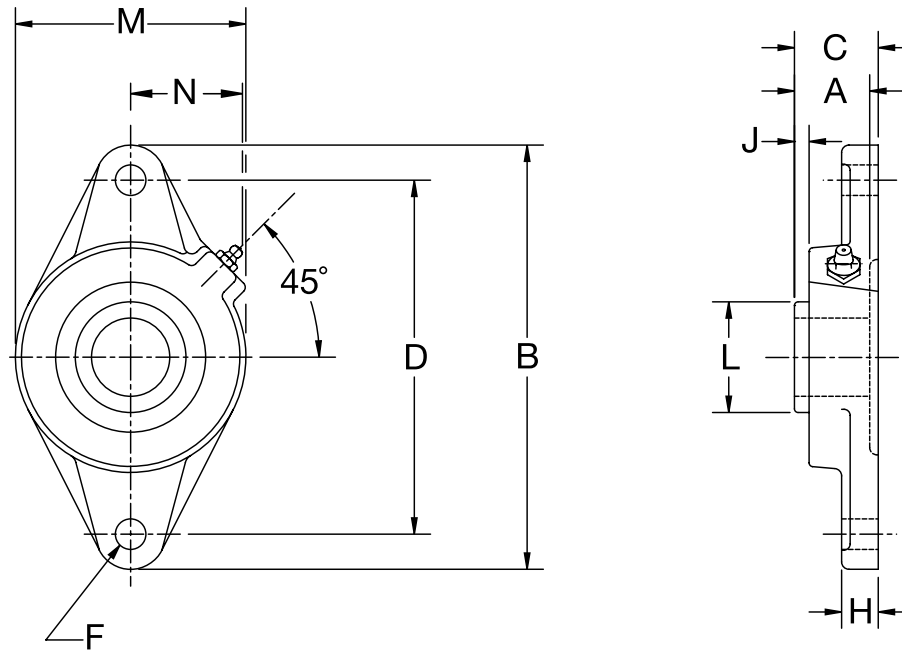
Series	Shaft Size	Part No.	Description	Weight lbs kg	A	B	C	D	J	L	M	N	R	S
204	1/2	@	TB-SCED-008	1.56	1-5/32	2-7/8	1-1/2	2	2-9/16	1-1/8	1-5/16	1/2	3/8-16	47/64
	5/8	@	TB-SCED-010	1.53										
	3/4	<b>076017</b>	TB-SCED-012	1.50										
	20mm	<b>076231</b>	TB-SCED-20M	0.06	29.4	73.0	38.1	50.8	65.1	28.6	33.3	12.7	M8x1.25	18.7
205	7/8	@	TB-SCED-014	1.93	1-3/16	3	1-1/2	2.0	2-13/16	1-21/64	1-7/16	1/2	3/8-16	49/64
	15/16	@	TB-SCED-015	1.90										
	1	<b>076018</b>	TB-SCED-100	1.87										
	25mm	<b>076232</b>	TB-SCED-25M	0.07	30.2	76.2	38.1	50.8	71.4	33.7	36.5	12.7	M10x1.5	19.4
206	1-1/16	@	TB-SCED-101	2.66	1-25/64	4	1-1/2	3.0	3-3/8	1-37/64	1-11/16	5/8	7/16-14	29/32
	1-1/8	<b>076019</b>	TB-SCED-102	2.62										
	1-3/16	<b>076020</b>	TB-SCED-103	2.59										
	1-1/4	<b>076021</b>	TB-SCED-104S	2.56										
	30mm	<b>076233</b>	TB-SCED-30M	0.10	35.3	101.6	38.1	76.2	85.7	40.1	42.9	15.9	M10x1.5	23.0
207	1-1/4	<b>076022</b>	TB-SCED-104	3.41	1-17/32	4-1/4	1-7/8	3-1/4	3-3/4	1-27/32	1-7/8	3/4	1/2-13	1-1/32
	1-5/16	@	TB-SCED-105	3.36										
	1-3/8	<b>076023</b>	TB-SCED-106	3.34										
	35mm	<b>076024</b>	TB-SCED-107	3.25										
208	40mm	<b>076234</b>	TB-SCED-35M	0.13	38.9	108.0	47.6	82.6	95.3	46.8	47.6	19.1	M10x1.5	26.2
	1-1/2	<b>076025</b>	TB-SCED-108	4.10	1-11/16	4-5/8	1-7/8	3-1/2	3-15/16	2-3/64	1-15/16	3/4	1/2-13	1-3/32
	1-5/8	@	TB-SCED-110	4.00										
209	40mm	<b>076235</b>	TB-SCED-40M	0.16	42.9	117.5	47.6	88.9	100.0	52.0	49.2	19.1	M12x1.75	27.8
	1-5/8	@	TB-SCED-110L	5.20	1-23/32	5	2	3-3/4	4-1/4	2-7/32	2-1/8	3/4	1/2-13	1-1/8
	1-11/16	<b>076026</b>	TB-SCED-111	5.00										
	1-3/4	<b>076027</b>	TB-SCED-112	4.90										
210	45mm	<b>076236</b>	TB-SCED-45M	0.20	43.7	127.0	50.8	95.3	108.0	56.4	54.0	19.1	M12x1.75	28.6
	1-15/16	<b>076028</b>	TB-SCED-115	5.40	1-3/4	5-1/2	2	4	4-5/8	2-7/16	2-1/4	7/8	5/8-11	1-5/32
	2	<b>076029</b>	TB-SCED-200	5.20										
211	50mm	<b>076237</b>	TB-SCED-50M	0.21	44.5	139.7	50.8	101.6	117.5	61.9	57.2	22.2	M16x2	29.4
	2	@	TB-SCED-200L	6.70	1-27/32	5-1/2	2	4	4-5/8	2-23/32	2-1/4	7/8	5/8-11	1-7/32
	2-3/16	<b>076030</b>	TB-SCED-203	6.50										
	2-1/4	@	TB-SCED-204	6.30										
55mm	<b>076238</b>	TB-SCED-55M	0.25	46.8	139.7	50.8	101.6	117.5	69.1	57.2	22.2	M16x2	31.0	

@ Assembled to order

# SELECTION/DIMENSIONS



## Extreme Duty Setscrew Ball Bearings SCED NORMAL DUTY 2-BOLT FLANGE BEARINGS



Series	Shaft Size	Standard Part No.	Description	Weight Lbs. kg	A	B	C	D	F Bolt Dia.	H	J	L	M	N
204	1/2	@	F2B-SCED-008L	1.6	1-5/32	4-13/32	1-3/8	3-17/32	3/8	1/2	25/64	1-1/8	2-3/8	1-1/2
	5/8	@	F2B-SCED-010L	1.5										
	3/4	<b>076031</b>	F2B-SCED-012	1.4										
	20mm	<b>076239</b>	F2B-SCED-20M	0.5	29.4	111.9	34.6	89.7	M10	12.7	9.6	28.6	60.3	38.1
205	7/8	@	F2B-SCED-014	1.6	1-3/16	4-7/8	1-11/32	3-57/64	7/16	1/2	25/64	1-21/64	2-3/4	1-7/16
	15/16	@	F2B-SCED-015	1.5										
	1	<b>076032</b>	F2B-SCED-100	1.4										
	25mm	<b>076240</b>	F2B-SCED-25M	0.6	30.2	123.8	34.1	98.8	M10	12.7	9.9	33.7	69.9	36.5
206	1-1/16	@	F2B-SCED-101	2.3	1-25/64	5-9/16	1-17/32	4-19/32	7/16	1/2	15/32	1-37/64	3-1/8	1-9/16
	1-1/8	<b>076033</b>	F2B-SCED-102	2.2										
	1-3/16	<b>076034</b>	F2B-SCED-103	2.1										
	1-1/4	<b>076035</b>	F2B-SCED-104S	2.0										
	30mm	<b>076241</b>	F2B-SCED-30M	1.0	35.3	141.3	38.8	116.7	M12	12.7	11.6	40.1	79.4	39.7
207	1-1/4	<b>076036</b>	F2B-SCED-104	3.5	1-17/32	6-1/8	1-3/4	5-1/8	1/2	9/16	17/32	1-27/32	3-3/4	1-27/32
	1-5/16	@	F2B-SCED-105	3.4										
	1-3/8	<b>076037</b>	F2B-SCED-106	3.2										
	1-7/16	<b>076038</b>	F2B-SCED-107	3.1										
	35mm	<b>076242</b>	F2B-SCED-35M	1.5	38.9	155.6	44.5	130.2	M12	14.3	13.4	46.8	95.3	46.8

@Assembled to order

ULTRA KLEEN

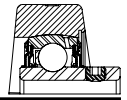
E-Z KLEEN

EXTREME DUTY

IMPERIAL-HD

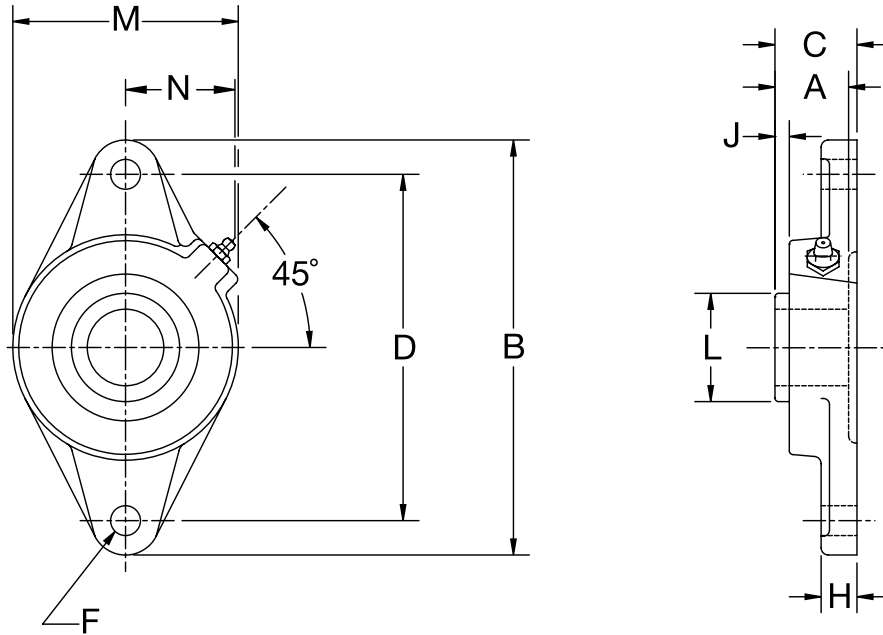
S2000-HD

PART NUMBER INDEX



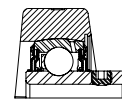
# SELECTION/DIMENSIONS

## Extreme Duty Setscrew Ball Bearings SCED NORMAL DUTY 2-BOLT FLANGE BEARINGS

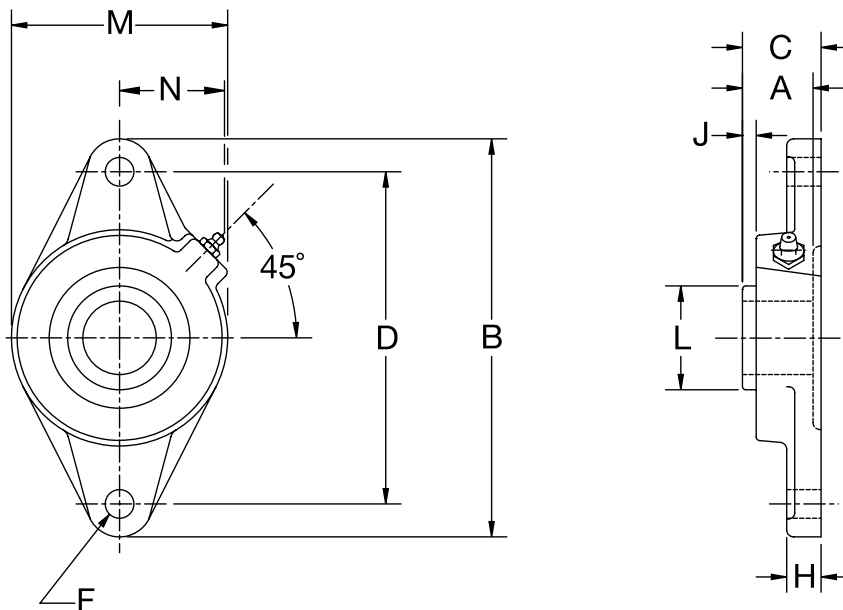


Series	Shaft Size	Standard Part No.	Description	Weight lbs kg	A	B	C	D	F Bolt Dia.	H	J	K	L	M
208	1-1/2	<b>076039</b>	F2B-SCED-108	4.1	1-11/16	6-3/4	1-7/8	5-21/32	1/2	9/16	17/32	2-3/64	4-1/8	1-53/64
	1-5/8	<b>@</b>	F2B-SCED-110	4.0										
	40mm	<b>076243</b>	F2B-SCED-40M	1.8	42.9	171.5	47.5	143.7	M12	14.3	13.4	52.0	104.8	46.4
209	1-5/8	<b>@</b>	F2B-SCED-110L	5.2	1-23/32	7-1/16	1-15/16	5-27/32	1/2	5/8	17/32	2-7/32	4-3/8	1-29/32
	1-11/16	<b>076040</b>	F2B-SCED-111	5.0										
	1-3/4	<b>076041</b>	F2B-SCED-112	4.9										
	1-13/16	<b>@</b>	F2B-SCED-113	4.7										
210	45mm	<b>076244</b>	F3B-SCED-45M	2.2	43.7	179.4	49.2	148.4	M14	15.9	13.4	56.4	111.1	48.4
	1-15/16	<b>076042</b>	F2B-SCED-115	5.4	1-3/4	7-7/16	2	6-3/16	1/2	5/8	17/32	2-7/16	4-9/16	2-1/32
	2	<b>076043</b>	F2B-SCED-200	5.2										
211	50mm	<b>076245</b>	F2B-SCED-50M	2.5	44.5	188.9	50.7	157.2	M16	15.9	13.4	61.9	115.9	51.6
	2	<b>076148</b>	F2B-SCMED-200	6.7	1-27/32	8-5/8	2-5/32	7-1/4	5/8	11/16	9/16	2-23/32	5-1/4	2-17/64
	2-3/16	<b>076044</b>	F2B-SCED-203	6.5										
	2-1/4	<b>@</b>	F2B-SCED-204	6.3										
212	55mm	<b>@</b>	F2B-SCED-55M	3.0	46.8	219.1	54.8	184.2	M16	17.5	14.3	69.1	133.4	57.5
	2-1/4	<b>@</b>	F2B-SCMED-204	7.4	1-63/64	9-13/16	2-9/32	7-61/64	7/8	13/16	9/16	2-31/32	5-1/2	2-15/32
	2-7/16	<b>076045</b>	F2B-SCED-207	7.0										
60mm	<b>@</b>	F2B-SCED-60M	3.4	50.4	249.2	57.9	202.0	M22	20.6	14.3	75.4	139.7	62.7	

@Assembled to order



**Extreme Duty Setscrew Ball Bearings**  
**SCMED MEDIUM DUTY 2-BOLT FLANGE BEARINGS**



Series	Shaft Size	Standard Part No.	Description	Weight lbs. kgs.	A	B	C	D	F Bolt Dia.	J	K	L	M	N
206	1	<b>076141</b>	F2B-SCMED-100	2.4	1-25/64	5-9/16	1-17/32	4-19/32	7/16	1/2	15/32	1-37/64	3-1/8	1-9/16
	25mm	<b>076307</b>	F2B-SCMED-25M	1.0	35.3	141.3	38.8	116.7	M12	12.7	11.6	40.1	79.4	39.7
207	1-3/16	<b>076142</b>	F2B-SCMED-103	3.6	1-17/32	6-1/8	1-3/4	5-1/8	1/2	9/16	17/32	1-27/32	3-3/4	1-27/32
	1-1/4	@	F2B-SCMED-104	3.5										
	30mm	<b>076308</b>	F2B-SCMED-30M	1.6	38.9	155.6	44.5	130.2	M12	14.3	13.4	46.8	95.3	46.8
208	1-7/16	<b>076143</b>	F2B-SCMED-107	4.1	1-11/16	6-3/4	1-7/8	5-21/32	1/2	9/16	17/32	2-3/64	4-1/8	1-53/64
	35mm	<b>076309</b>	F2B-SCMED-35M	1.9	42.9	171.5	47.5	143.7	M12	14.3	13.4	52.0	104.8	46.4
209	1-1/2	<b>076144</b>	F2B-SCMED-108	5.3	1-23/32	7-1/16	1-15/16	5-27/32	1/2	5/8	17/32	2-7/32	4-3/8	1-29/32
	1-5/8	@	F2B-SCMED-110L	5.2										
	40mm	<b>076310</b>	F2B-SCMED-40M	2.3	43.7	179.4	49.2	148.4	M14	15.9	13.4	56.4	111.1	48.4
210	1-11/16	<b>076145</b>	F2B-SCMED-111	5.8	1-3/4	7-7/16	2	6-3/16	1/2	5/8	17/32	2-7/16	4-9/16	2-1/32
	1-3/4	<b>076146</b>	F2B-SCMED-112	5.6										
	45mm	<b>076311</b>	F2B-SCMED-45M	2.6	44.5	188.9	50.7	157.2	M16	15.9	13.4	61.9	115.9	51.6
211	1-15/16	<b>076147</b>	F2B-SCMED-115	6.7	1-27/32	8-5/8	2-5/32	7-1/4	5/8	11/16	9/16	2-23/32	5-1/4	2-17/64
	2	<b>076148</b>	F2B-SCMED-200	6.5										
	50mm	<b>076312</b>	F2B-SCMED-50M	2.9	46.8	219.1	54.8	184.2	M16	17.5	14.3	69.1	133.4	57.5
212	2-3/16	<b>076149</b>	F2B-SCMED-203	7.4	1-63/64	9-13/16	2-9/32	7-61/64	7/8	13/16	9/16	2-31/32	5-1/2	2-15/32
	2-1/4	@	F2B-SCMED-204	7.2										
	55mm	@	F2B-SCMED-55M	3.2	50.4	249.2	57.9	202.0	M22	20.6	14.3	75.4	139.7	62.7

@ Assembled to order

ULTRA KLEEN

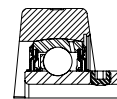
E-Z KLEEN

EXTREME DUTY

IMPERIAL-HD

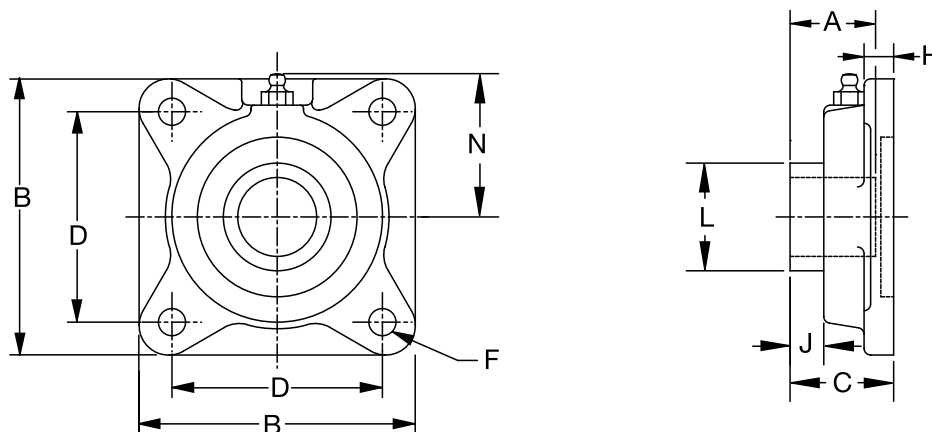
S2000-HD

PART NUMBER INDEX



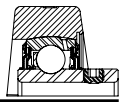
# SELECTION/DIMENSIONS

## Extreme Duty Setscrew Ball Bearings SCED NORMAL DUTY 4-BOLT FLANGE BEARINGS

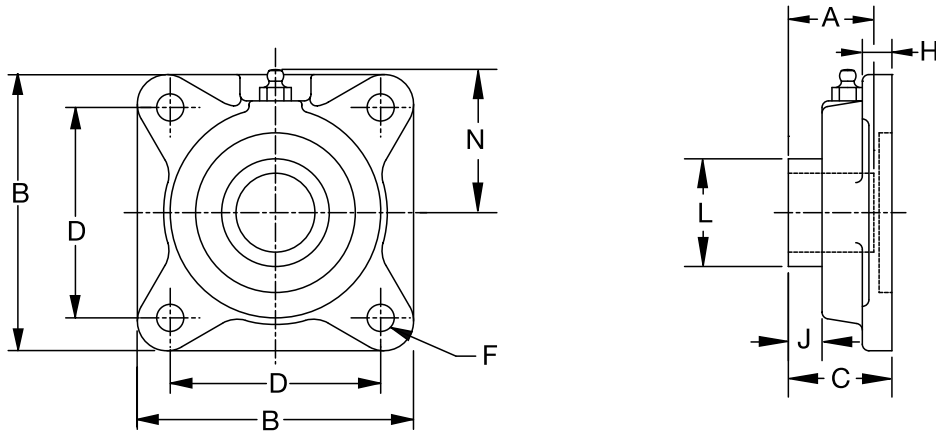


Series	Shaft Size	Standard Part No.	Description	Weights lbs kgs	A	B	C	D	F	H	J	L	N
204	1/2	@	F4B-SCED-008L	1.8	1-5/32	3-3/8	1-3/8	2-1/2	3/8	7/16	25/64	1-1/8	1-15/16
	5/8	@	F4B-SCED-010L	1.7									
	3/4	<b>076046</b>	F4B-SCED-012	1.6									
	13/16	@	F4B-SCED-013	1.5									
	20mm	<b>076246</b>	F4B-SCED-20M	0.8	29.4	85.7	34.9	63.5	M10	11.1	9.9	28.6	49.2
205	7/8	@	F4B-SCED-014	2.0	1-3/16	3-3/4	1-23/64	2-3/4	7/16	1/2	25/64	1-21/64	2-1/16
	15/16	@	F4B-SCED-015	1.9									
	1	<b>076047</b>	F4B-SCED-100	1.8									
	25mm	<b>076247</b>	F4B-SCED-25M	0.9	30.2	95.3	34.5	69.9	M10	12.7	9.9	33.7	52.4
206	1-1/16	@	F4B-SCED-101	2.9	1-25/64	4-1/4	1-17/32	3-1/4	7/16	1/2	15/32	1-37/64	2-3/16
	1-1/8	<b>076048</b>	F4B-SCED-102	2.8									
	1-3/16	<b>076049</b>	F4B-SCED-103	2.7									
	1-1/4	<b>076050</b>	F4B-SCED-104S	2.6									
	30mm	<b>076248</b>	F4B-SCED-30M	1.3	35.3	108.0	38.9	82.6	M10	12.7	11.9	40.1	55.6
207	1-1/4	<b>076051</b>	F4B-SCED-104	4.0	1-17/32	4-3/4	1-3/4	3-5/8	1/2	9/16	17/32	1-27/32	2-7/16
	1-5/16	@	F4B-SCED-105	3.9									
	1-3/8	<b>076052</b>	F4B-SCED-106	3.8									
	1-7/16	<b>076053</b>	F4B-SCED-107	3.7									
	35mm	<b>076249</b>	F4B-SCED-35M	1.7	38.9	120.7	44.5	92.1	M12	14.3	13.5	46.8	61.9

@ Assembled to order

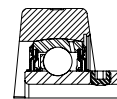


**Extreme Duty Setscrew Ball Bearings  
SCED NORMAL DUTY 4-BOLT FLANGE BEARINGS**



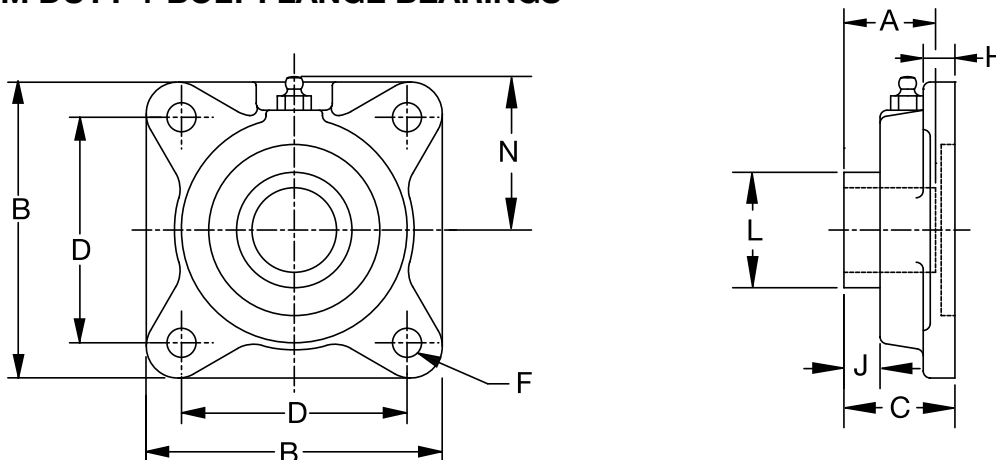
Series	Shaft Size	Standard Part No.	Description	Weight lbs. kg.	A	B	C	D	F	H	J	L	N
208	1-1/2	<b>076054</b>	F4B-SCED-108	4.8	1-11/16	5-1/8	1-7/8	4	1/2	9/16	17/32	2-3/64	2-3/8
	1-5/8	@	F4B-SCED-110	4.7									
	40mm	<b>076250</b>	<i>F4B-SCED-40M</i>	2.1	42.9	130.2	47.6	101.6	M12	14.3	13.5	52.0	60.3
209	1-5/8	@	F4B-SCED-110L	6.1	1-23/32	5-3/8	1-15/16	4-1/8	1/2	5/8	17/32	2-7/32	2-3/4
	1-11/16	<b>076055</b>	F4B-SCED-111	6.0									
	1-3/4	<b>076056</b>	F4B-SCED-112	5.9									
	45mm	<b>076251</b>	<i>F4B-SCED-45M</i>	2.7	43.7	136.5	49.2	104.8	M14	15.9	13.5	56.4	69.9
210	1-15/16	<b>076057</b>	F4B-SCED-115	6.7	1-3/4	5-5/8	2	4-3/8	1/2	5/8	17/32	2-7/16	2-7/8
	2	<b>076058</b>	F4B-SCED-200	6.6									
	50mm	<b>076252</b>	<i>F4B-SCED-50M</i>	3.0	44.5	142.9	50.8	111.1	M16	15.9	13.5	61.9	73.0
211	2	<b>076157</b>	F4B-SCMED-200	9.3	1-27/32	6-1/2	2-5/32	5-1/8	5/8	11/16	9/16	2-23/32	3-1/4
	2-3/16	<b>076059</b>	F4B-SCED-203	9.0									
	2-1/4	@	F4B-SCED-204	8.9									
	55mm	<b>076253</b>	<i>F4B-SCED-55M</i>	4.1	46.8	165.1	54.8	130.2	M16	17.5	14.3	69.1	82.6
212	2-1/4	@	F4B-SCMED-204	11.1	1-63/64	6-7/8	2-9/32	5-5/8	5/8	11/16	9/16	2-31/32	3-1/2
	2-7/16	<b>076060</b>	F4B-SCED-207	10.6									
	60mm	<b>076254</b>	<i>F4B-SCED-60M</i>	6.0	50.4	174.6	57.9	142.9	M16	17.5	14.3	75.4	88.9
214	2-1/2	@	F4B-SCMED-208	16.0	2-15/64	7-3/8	2-3/4	5-7/8	5/8	11/16	9/16	3-5/16	3-11/16
	2-11/16	<b>076061</b>	F4B-SCED-211	15.4									
	70mm	<b>076255</b>	<i>F4B-SCED-70M</i>	6.9	56.8	187.3	69.9	149.2	M16	17.5	14.3	84.1	93.7
215	2-15/16	<b>076062</b>	F4B-SCED-215	17.6	2-9/32	7-3/4	2-57/64	6	3/4	1	41/64	3-5/8	3-7/8
	75mm	<b>076256</b>	<i>F4B-SCED-75M</i>	8.0	57.9	196.9	73.4	152.4	M18	25.4	16.3	92.1	98.4

@ Assembled to order



## SELECTION/DIMENSIONS

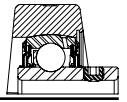
### Extreme Duty Setscrew Ball Bearings SCMED MEDIUM DUTY 4-BOLT FLANGE BEARINGS



Series	Shaft Size	Standard Part No.	Description	Weight lbs kg	A	B	C	D	F	H	J	L	N
206	1	<b>076150</b>	F4B-SCMED-100	3.0	1-25/64	4-1/4	1-17/32	3-1/4	7/16	1/2	15/32	1-37/64	2-3/16
	25mm	<b>076313</b>	F4B-SCMED-25M	1.3	35.3	108.0	38.9	82.6	M10	12.7	11.9	40.1	55.6
207	1-3/16	<b>076151</b>	F4B-SCMED-103	4.1	1-17/32	4-3/4	1-3/4	3-5/8	1/2	9/16	17/32	1-27/32	2-7/16
	1-1/4 30mm	@ <b>076314</b>	F4B-SCMED104 F4B-SCMED-30M	4.0 1.4									
208	1-7/16	<b>076152</b>	F4B-SCMED-107	5.0	1-11/16	5-1/8	1-7/8	4	1/2	9/16	17/32	2-3/64	2-3/8
	35mm	<b>076315</b>	F4B-SCMED-35M	2.1	42.9	130.2	47.6	101.6	M12	14.3	13.5	52.0	60.3
209	1-1/2	<b>076153</b>	F4B-SCMED-108	6.1	1-23/32	5-3/8	1-15/16	4-1/8	1/2	5/8	17/32	2-7/32	2-3/4
	1-5/8 40mm	@ <b>076316</b>	F4B-SCMED110L F4B-SCMED-40M	6.1 2.7									
210	1-11/16	<b>076154</b>	F4B-SCMED-111	7.1	1-3/4	5-5/8	2	4-3/8	1/2	5/8	17/32	2-7/16	2-7/8
	1-3/4 45mm	<b>076155</b> <b>076317</b>	F4B-SCMED-112 F4B-SCMED-45M	6.9 3.0									
211	1-15/16	<b>076156</b>	F4B-SCMED-115	9.5	1-27/32	6-1/2	2-5/32	5-1/8	5/8	11/16	9/16	2-23/32	3-1/4
	2 50mm	<b>076157</b> <b>076318</b>	F4B-SCMED-200 F4B-SCMED-50M	9.3 4.1									
212	2-3/16	<b>076158</b>	F4B-SCMED-203	11.3	1-63/64	6-7/8	2-9/32	5-5/8	5/8	11/16	9/16	2-31/32	3-1/2
	2-1/4 55mm	@ <b>076319</b>	F4B-SCMED-204 F4B-SCMED-55M	11.1 6.0									
214	2-7/16	<b>076159</b>	F4B-SCMED-207	16.2	2-15/64	7-3/8	2-3/4	5-7/8	5/8	11/16	9/16	3-5/16	3-11/16
	2-1/2 65mm	<b>076160</b> <b>076320</b>	F4B-SCMED-208 F4B-SCMED-65M	16.0 7.3									
215	2-11/16	<b>076161</b>	F4B-SCMED-211	18.3	2-9/32	7-3/4	2-57/64	6.0	3/4	1	41/64	3-5/8	3-7/8
	70mm	<b>076321</b>	F4B-SCMED-70M	8.0	57.9	196.9	73.4	152.4	M18	25.4	16.3	92.1	98.4
216	2-15/16	<b>076162</b>	F4B-SCMED-215	21.5	2-11/32	7-3/4	3-3/32	6	3/4	7/8	19/32	3-53/64	4-3/32
	3 75mm	<b>076163</b> <b>076322</b>	F4B-SCMED-300 F4B-SCMED-75M	21.2 9.4									
218	3-7/16	<b>076164</b>	F4B-SCMED-307	28.0	2-31/64	8-7/16	3-11/32	6-3/4	3/4	1	9/16	4-23/64	4-5/8
	3-1/2 85mm	<b>076165</b> <b>076323</b>	F4B-SCMED-308 F4B-SCMED-85M	27.4 12.2									

© Assembled to order





ULTRA KLEEN

E-Z KLEEN

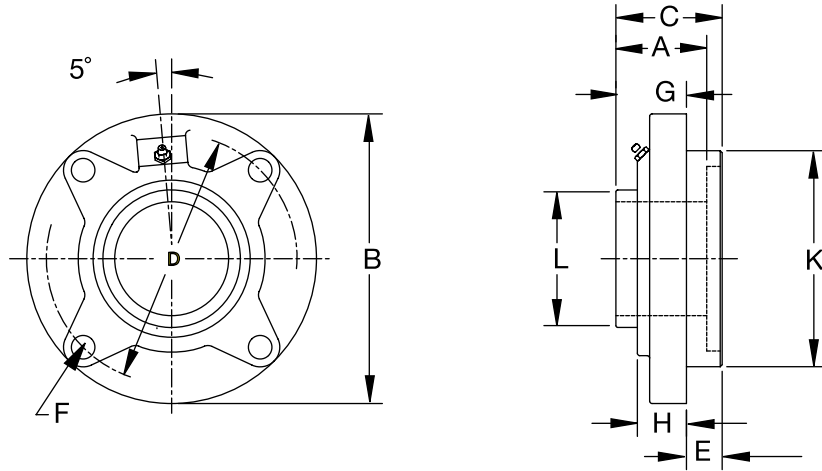
EXTREME DUTY

IMPERIAL-HD

S2000-HD

PART NUMBER INDEX

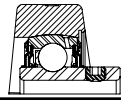
**Extreme Duty Setscrew Ball Bearings**  
**SCED NORMAL DUTY PILOTED FLANGE BEARINGS**



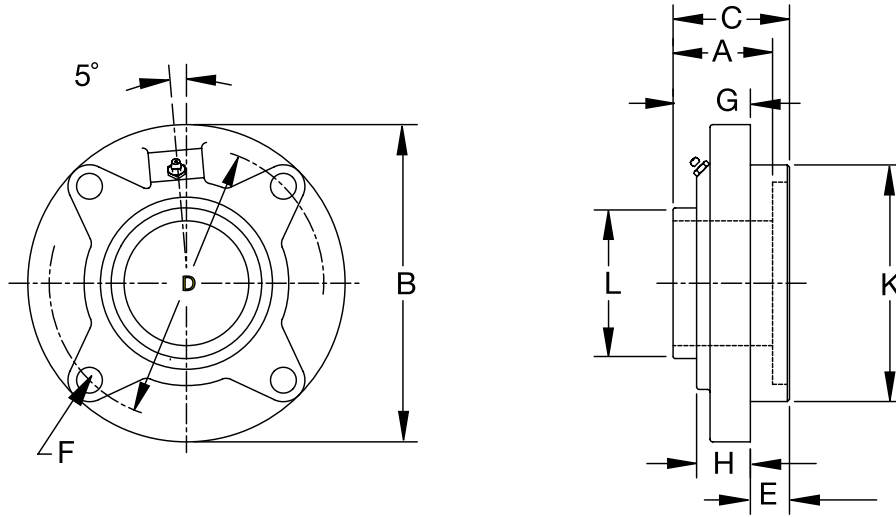
Series	Shaft Size	Part No.	Description	Weight lbs kg	A	B	C	D	E	F Bolt Dia.	G	H	K*	L
206	1-1/16	@	FC-SCED-101	3.2	1-25/64	4-3/8	1-1/2	3-5/8	1/4	3/8	1-1/4	13/16	3	1-37/64
	1-1/8	@	FC-SCED-102	3.1										
	1-3/16	<b>076063</b>	FC-SCED-103	3.0										
	1-1/4	<b>076064</b>	FC-SCED-104S	2.9										
	30mm	<b>076257</b>	FC-SCED-30M	1.3	35.3	111.1	38.1	92.1	6.4	M10	31.8	20.6	76.2	40.1
207	1-1/4	<b>076065</b>	FC-SCED-104	4.2	1-17/32	5	1-49/64	4-1/8	3/8	3/8	1-25/64	27/32	3-3/8	1-27/32
	1-5/16	@	FC-SCED-105	4.1										
	1-3/8	<b>076066</b>	FC-SCED-106	4.0										
	1-7/16	<b>076067</b>	FC-SCED-107	3.9										
	35mm	<b>076258</b>	FC-SCED-35M	1.8	38.9	127.0	44.8	104.8	9.5	M10	35.3	21.4	85.7	46.8
208	1-1/2	<b>076068</b>	FC-SCED-108	4.6	1-11/16	5-1/4	1-57/64	4-3/8	7/16	7/16	1-29/64	57/64	3-5/8	2-3/64
	1-5/8	@	FC-SCED-110	4.5										
	40mm	<b>076259</b>	FC-SCED-40M	2.0	42.9	133.4	48.0	111.1	11.1	M12	36.9	22.6	92.1	52.0
209	1-5/8	@	FC-SCED-110L	5.6	1-23/32	5-3/4	1-57/64	4-3/4	7/16	1/2	1-29/64	29/32	4	2-7/32
	1-11/16	<b>076069</b>	FC-SCED-111	5.5										
	1-3/4	<b>076070</b>	FC-SCED-112	5.4										
	45mm	<b>076260</b>	FC-SCED-45M	2.4	43.7	146.1	48.0	120.7	11.1	M12	36.9	23.0	101.6	56.4
210	1-15/16	<b>076071</b>	FC-SCED-115	6.4	1-3/4	6-1/8	1-61/64	5-1/8	15/32	1/2	1-31/64	59/64	4-1/4	2-7/16
	2	<b>076072</b>	FC-SCED-200	6.3										
	50mm	<b>076261</b>	FC-SCED-50M	2.9	44.5	155.6	49.6	130.2	11.9	M12	37.7	23.5	108.0	61.9
211	2	<b>076163</b>	FC-SCMED-200	7.3	1-27/32	6-3/8	2-7/32	5-3/8	5/8	1/2	1-19/32	1	4-1/2	2-23/32
	2-3/16	<b>076073</b>	FC-SCED-203	7.2										
	2-1/4	@	FC-SCED-204	7.1										
	55mm	<b>076262</b>	FC-SCED-55M	3.3	46.8	161.9	56.4	136.5	15.9	M12	40.5	25.4	114.3	69.1
212	2-1/4	@	FC-SCMED-204	9.6	1-63/64	7-1/8	2-29/64	6	7/8	1/2	1-37/64	1	5	2-31/32
	2-7/16	<b>076074</b>	FC-SCED-207	9.5										
	60mm	<b>076263</b>	FC-SCED-60M	4.3	50.4	181.0	62.3	152.40	22.2	M12	40.1	25.4	127.0	75.4
214	2-1/2	<b>076176</b>	FC-SCMED-208	13.0	2-15/64	7-5/8	2-49/64	6-1/2	1-1/8	1/2	1-41/64	1-1/16	5-1/2	3-5/16
	2-11/16	<b>076075</b>	FC-SCED-211	12.9										
	70mm	<b>076264</b>	FC-SCED-70M	5.5	56.8	193.7	70.2	165.1	28.6	M12	41.7	27.0	139.7	84.1

@ Assembled to order

\*+0.000, -0.002," \* +0.00 -0.05mm

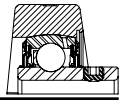


**Extreme Duty Setscrew Ball Bearings**  
**SCMED MEDIUM DUTY PILOTED FLANGE BEARINGS**

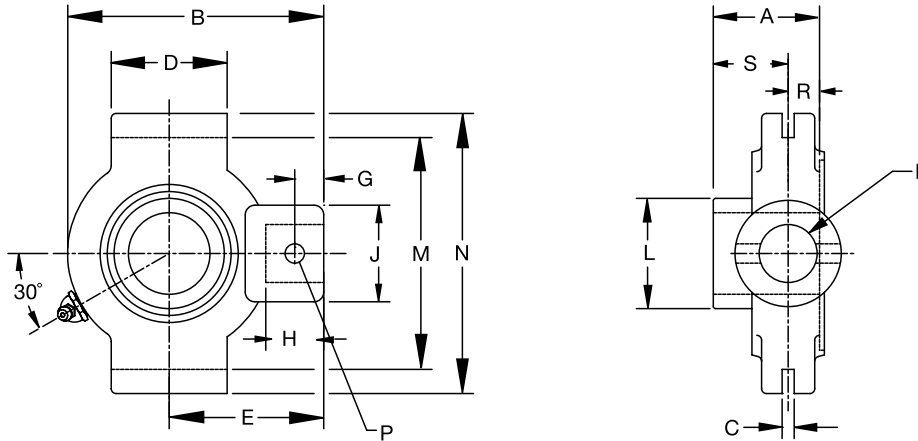


Series	Shaft Size	Part No.	Description	Weight lbs kg	A	B	C	D	E	F Bolt Dia.	G	H	K	L
206	1	<b>076166</b>	FC-SCMED-100	3.3	1-25/64	4-3/8	1-1/2	3-5/8	1/4	3/8	1-1/4	13/16	3	1-37/64
	25mm	<b>076324</b>	FC-SCMED-25M	1.4	35.3	111.1	38.1	92.1	6.4	M10	31.8	20.6	76.2	40.1
207	1-3/16	<b>076167</b>	FC-SCMED-103	4.2	1-17/32	5	1-49/64	4-1/8	3/8	3/8	1-25/64	27/32	3-3/8	1-27/32
	1-1/4	<b>076065</b>	FC-SCMED-104	4.2										
	30mm	<b>076325</b>	FC-SCMED-30M	1.9	38.9	127.0	44.8	104.8	9.5	M10	35.3	21.4	85.7	46.8
208	1-7/16	<b>076168</b>	FC-SCMED-107	4.8	1-11/16	5-1/4	1-57/64	4-3/8	7/16	7/16	1-29/64	57/64	3-5/8	2-3/64
	35mm	<b>076326</b>	FC-SCMED-35M	2.1	42.9	133.4	48.0	111.1	11.1	M12	36.9	22.6	92.1	52.0
209	1-1/2	<b>076169</b>	FC-SCMED-108	5.6	1-23/32	5-3/4	1-57/64	4-3/4	7/16	1/2	1-29/64	29/32	4	2-7/32
	1-5/8	@	FC-SCMED-110L	5.6										
	40mm	<b>076317</b>	FC-SCMED-40M	2.5	43.7	146.1	48.0	120.7	11.1	M12	36.9	23.0	101.6	56.4
210	1-11/16	<b>076170</b>	FC-SCMED-111	6.4	1-3/4	6-1/8	1-61/64	5-1/8	15/32	1/2	1-31/64	59/64	4-1/4	2-7/16
	1-3/4	<b>076171</b>	FC-SCMED-112	6.3										
	45mm	<b>076328</b>	FC-SCMED-45M	2.9	44.5	155.6	49.6	130.2	11.9	M12	37.7	23.4	108.0	61.9
211	1-15/16	<b>076172</b>	FC-SCMED-115	7.6	1-27/32	6-3/8	2-7/32	5-3/8	5/8	1/2	1-19/32	1	4-1/2	2-23/32
	2	<b>076173</b>	FC-SCMED-200	7.4										
	50mm	<b>076329</b>	FC-SCMED-50M	3.4	46.8	161.9	56.4	136.5	15.9	M12	40.5	25.4	114.3	69.1
212	2-3/16	<b>076174</b>	FC-SCMED-203	9.5	1-63/64	7-1/8	2-29/64	6	7/8	1/2	1-37/64	1	5	2-31/32
	2-1/4	@	FC-SCMED-204	9.8										
	55mm	<b>076330</b>	FC-SCMED-55M	4.4	50.4	181.0	62.3	152.4	22.2	M12	40.1	25.4	127.0	75.4
214	2-7/16	<b>076175</b>	FC-SCMED-207	13.2	2-15/64	7-5/8	2-49/64	6-1/2	1-1/8	1/2	1-41/64	1-1/16	5-1/2	3-5/16
	2-1/2	<b>076176</b>	FC-SCMED-208	13.0										
	65mm	<b>076331</b>	FC-SCMED-65M	5.9	56.8	193.7	70.2	165.1	28.6	M12	41.7	27.0	139.7	84.1
216	2-15/16	<b>076177</b>	FC-SCMED-215	18.8	2-11/64	8-3/4	3-1/32	7-1/2	1-1/4	5/8	1-25/32	1-3/16	6-3/8	3-53/64
	3	<b>076178</b>	FC-SCMED-300	18.6										
	75mm	<b>076332</b>	FC-SCMED-75M	8.5	57.9	222.3	77.0	190.5	31.8	M16	45.2	30.2	161.9	92.1
218	3-7/16	<b>076179</b>	FC-SCMED-307	28.7	2-31/64	10-1/4	3-19/64	8-5/8	1-1/8	3/4	2-11/64	1-5/8	7-3/8	4-23/64
	3-1/2	<b>076180</b>	FC-SCMED-308	28.5										
	85mm	<b>076333</b>	FC-SCMED-85M	13.5	63.1	260.4	83.7	219.1	34.9	M18	55.2	41.3	187.3	110.7

@ Assembled to order



**Extreme Duty Setscrew Ball Bearings**  
**SCED NORMAL DUTY NARROW SLOT TAKE-UP BEARINGS**



Series	Shaft Size	Part No.	Description	Weight lbs. kgs.	Take-Up Frame No. Ref.	A	B	C*	D	E	F Screw Dia	G
204	1/2	@	NSTU-SCED-008	1.6	NS210	1-5/32	3-1/2	1/4	1-1/2	2-3/16	3/4	7/16
	5/8	@	NSTU-SCED-010	1.5		29.4	88.9	6.4	38.1	55.6	19.1	11.1
	3/4	<b>076076</b>	NSTU-SCED-012	1.4								
	20mm	<b>076265</b>	NSTU-SCED-20M	0.8								
205	7/8	@	NSTU-SCED-014	1.7	NS210	1-3/16	3-9/16	1/4	1-1/2	2-3/16	3/4	7/16
	15/16	@	NSTU-SCED-015	1.6		30.2	90.5	6.4	38.1	55.6	19.1	11.1
	1	<b>076077</b>	NSTU-SCED-100	1.5								
	25mm	<b>076266</b>	NSTU-SCED-25M	0.7								
206	1-1/16	@	NSTU-SCED-101	2.9	NS308	1-25/64	4-5/16	1/4	2-1/2	2-11/16	3/4	1/2
	1-1/8	<b>076078</b>	NSTU-SCED-102	2.8		35.3	109.5	6.4	63.5	68.3	19.1	12.7
	1-3/16	<b>076079</b>	NSTU-SCED-103	2.7								
	1-1/4	<b>076080</b>	NSTU-SCED-104S	2.6								
207	30mm	<b>076267</b>	NSTU-SCED-30M	1.2								
	1-1/4	<b>076081</b>	NSTU-SCED-104	2.8	NS308	1-17/32	4-1/2	1/4	2-1/2	2-11/16	3/4	1/2
	1-5/16	@	NSTU-SCED-105	2.7		38.9	114.3	6.4	63.5	68.3	19.1	12.7
	1-3/8	<b>076082</b>	NSTU-SCED-106	2.6								
	1-7/16	<b>076083</b>	NSTU-SCED-107	2.5								
35mm	<b>076268</b>	NSTU-SCED-35M	1.2									

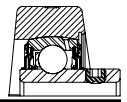
@ Assembled to order

See B15-9 for Take-Up Frames

\*+ or -.015", + pr -.38mm

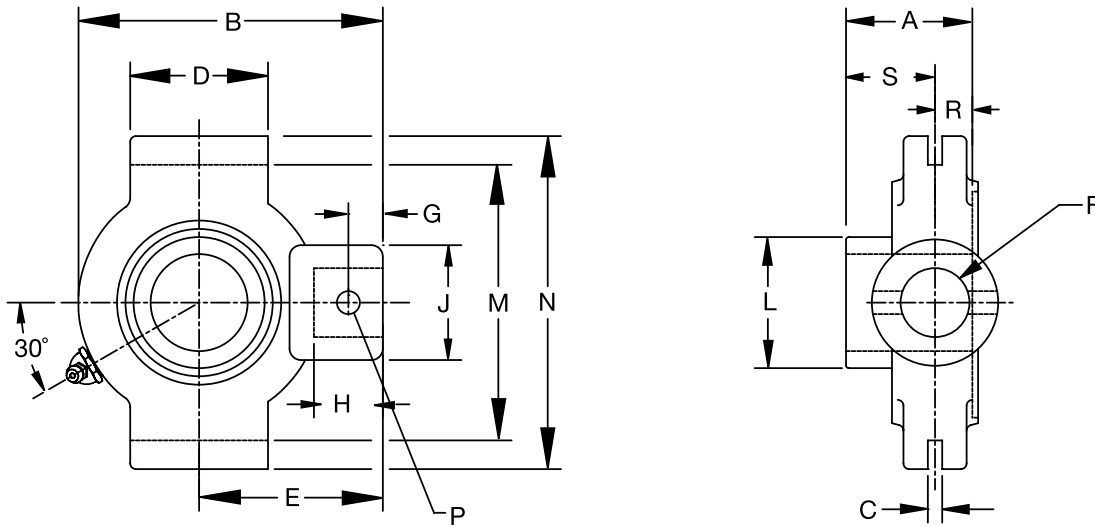
Series	Shaft Size	H	J	L	M #	N	P Pin Dia	R	S
204	1/2	7/8	1-3/8	1-1/8	2-5/8	3-1/8	5/16	27/64	47/64
	5/8								
	3/4								
	20mm	22.2	34.9	28.6	66.7	79.4	7.9	10.7	18.7
205	7/8	7/8	1-3/8	1-21/64	2-5/8	3-1/8	5/16	27/64	49/64
	15/16								
	1								
	25mm	22.2	34.9	33.7	66.7	79.4	7.9	10.7	19.4
206	1-1/16	15/16	1-3/8	1-37/64	3-1/2	4-1/8	5/16	31/64	29/32
	1-1/8								
	1-3/16								
	30mm	23.8	34.9	40.1	88.9	104.8	7.9	12.3	23
207	1-1/4	15/16	1-3/8	1-27/32	3-1/2	4-1/8	5/16	1/2	1-1/32
	1-5/16								
	1-3/8								
	35mm	23.8	34.9	46.8	88.9	104.8	7.9	12.7	26.2

#+.010, -.020" +.25mm, -.50mm



# SELECTION/DIMENSIONS

## Extreme Duty Setscrew Ball Bearings SCED NORMAL DUTY NARROW SLOT TAKE-UP BEARINGS



Series	Shaft Size	Standard Part No.	Description
208	1-1/2	<b>076084</b>	NSTU-SCED-108
	1-5/8	@	NSTU-SCED-110
	40mm	<b>076269</b>	NSTU-SCED-40M
209	1-5/8	@	NSTU-SCED-110L
	1-11/16	<b>076085</b>	NSTU-SCED-111
	1-3/4	<b>076086</b>	NSTU-SCED-112
	45mm	<b>076270</b>	NSTU-SCED-45M
210	1-15/16	<b>076087</b>	NSTU-SCED-115
	2	<b>076088</b>	NSTU-SCED-200
	50mm	<b>076271</b>	NSTU-SCED-50M
211	2	<b>076188</b>	NSTU-SCMED-200
	2-3/16	<b>076089</b>	NSTU-SCED-203
	2-1/4	@	NSTU-SCED-204
	55mm	<b>076272</b>	NSTU-SCED-55M
212	2-1/4	@	NSTU-SCMED-204
	2-7/16	<b>076090</b>	NSTU-SCED-207
	60mm	<b>076273</b>	NSTU-SCED-60M

@ Assembled to order

See B15-9 for Take-Up Frames

ULTRA KLEEN

E-Z KLEEN

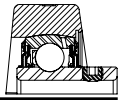
EXTREME DUTY

IMPERIAL-HD

S2000-HD

PART NUMBER INDEX

# SELECTION/DIMENSIONS



## Extreme Duty Setscrew Ball Bearings SCED NORMAL DUTY NARROW SLOT TAKE-UP BEARINGS

ULTRA KLEEN

E-Z KLEEN

EXTREME DUTY

IMPERIAL-HD

S2000-HD

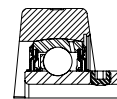
PART NUMBER INDEX

Series	Shaft Size	Weight lbs. kgs.	Take-Up Frame No. Ref.	A	B	C *	D	E	F Screw Dia	G
208	1-1/2	4.7	NS400	1-11/16	5-3/8	5/16	3	3-1/4	7/8	21/32
	1-5/8	4.6		42.9	136.5	7.9	76.2	82.6	22.2	16.7
	40mm	2.1								
209	1-5/8	4.9	NS400	1-23/32	5-7/16	5/16	3	3-1/4	7/8	23/32
	1-11/16	4.8		43.7	138.1	7.9	76.2	82.6	22.2	18.3
	1-3/4	4.7								
210	1-15/16	4.9	NS400	1-3/4	5-1/2	5/16	3	3-1/4	7/8	19/32
	2	4.8		44.5	139.7	7.9	76.2	82.6	22.2	15.1
	50mm	2.2								
211	2	6.8	NS407	1-27/32	6-1/8	5/16	3-1/2	3-5/8	1	11/16
	2-3/16	6.6		46.8	155.6	7.9	88.9	92.1	25.4	17.5
	2-1/4	6.5								
212	55mm	3.0								
	2-1/4	8.7	NS415	1-63/64	6-11/16	5/16	3-3/4	3-7/8	1	11/16
	2-7/16	8.4		50.4	169.9	7.9	95.3	98.4	25.4	17.5
60mm	4.9									

\*+/- .015" +/- .38mm

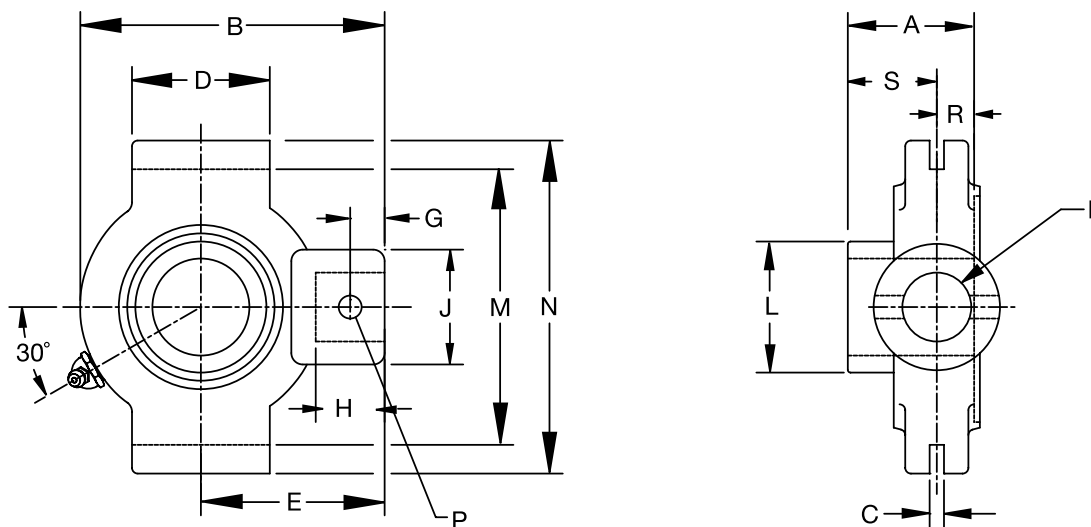
Series	Shaft Size	H	J	L	M #	N	P Pin Dia	R	S
208	1-1/2	1-5/32	1-5/8	2-3/64	4	4-3/4	3/8	19/32	1-3/32
	1-5/8	29.4	41.3	52.0	101.6	120.7	9.5	15.1	27.8
	40mm								
209	1-5/8	1-7/32	1-5/8	2-7/32	4	4-3/4	3/8	19/32	1-1/8
	1-11/16	31.0	41.3	56.4	101.6	120.7	9.5	15.1	28.6
	1-3/4								
210	45mm								
	1-15/16	1-3/32	1-5/8	2-7/16	4	4-3/4	3/8	19/32	1-5/32
	2	27.8	41.3	61.9	101.6	120.7	9.5	15.1	29.4
211	50mm								
	2	1-9/32	1-3/4	2-23/32	4-7/16	5-3/8	7/16	5/8	1-7/32
	2-3/16	32.5	44.5	69.1	112.7	136.5	11.1	15.9	31.0
212	2-1/4	1-9/32	1-5/8	2-31/32	4-15/16	5-3/4	7/16	43/64	1-5/16
	2-7/16	32.5	41.3	75.4	125.4	146.1	11.1	17.1	33.3
	60mm								

#+.010, -.020" +.25mm, -.50mm



# SELECTION/DIMENSIONS

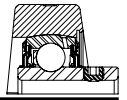
## Extreme Duty Setscrew Ball Bearings SCMED MEDIUM DUTY NARROW SLOT TAKE-UP BEARINGS



Series	Shaft Size	Part No.	Description
206	1	<b>076181</b>	NSTU-SCMED-100
	25mm	<b>076410</b>	NSTU-SCMED-25M
207	1-3/16	<b>076182</b>	NSTU-SCMED-103
	1-1/4	<b>076081</b>	NSTU-SCMED-104
208	30mm	<b>076411</b>	NSTU-SCMED-30M
	1-7/16	<b>076183</b>	NSTU-SCMED-107
209	35mm	<b>076412</b>	NSTU-SCMED-35M
	1-1/2	<b>076184</b>	NSTU-SCMED-108
210	1-5/8	@	NSTU-SCMED-110L
	40mm	<b>076413</b>	NSTU-SCMED-40M
211	1-11/16	<b>076185</b>	NSTU-SCMED-111
	1-3/4	<b>076186</b>	NSTU-SCMED-112
212	45mm	<b>076414</b>	NSTU-SCMED-45M
	1-15/16	<b>076187</b>	NSTU-SCMED-115
211	2	<b>076188</b>	NSTU-SCMED-200
	50mm	<b>076415</b>	NSTU-SCMED-50M
212	2-3/16	<b>076189</b>	NSTU-SCMED-203
	2-1/4	@	NSTU-SCMED-204
	55mm	<b>076416</b>	NSTU-SCMED-55M

@ Assembled to order

# SELECTION/DIMENSIONS



ULTRA KLEEN

E-Z KLEEN

EXTREME DUTY

IMPERIAL-HD

S2000-HD

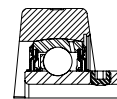
PART NUMBER INDEX

## Extreme Duty Setscrew Ball Bearings SCMED MEDIUM DUTY NARROW SLOT TAKE-UP BEARINGS

Series	Shaft Size	Weight lbs. kgs.	Take-Up Frame No. Ref.	A	B	C*	D	E	F Screw Dia.	G
206	1	3.0	NS308	1-25/64	4-5/16	1/4	2-1/2	2-11/16	3/4	1/2
	25mm	1.2		35.3	109.5	6.4	63.5	68.3	19.1	12.7
207	1-3/16	2.9	NS308	1-17/32	4-1/2	1/4	2-1/2	2-11/16	3/4	1/2
	1-1/4	2.8		38.9	114.3	6.4	63.5	68.3	19.1	12.7
	30mm	1.3								
208	1-7/16	4.7	NS400	1-11/16	5-3/8	5/16	3	3-1/4	7/8	21/32
	35mm	2.2		42.9	136.5	7.9	76.2	82.6	22.2	16.7
209	1-1/2	5.0	NS400	1-23/32	5-7/16	5/16	3	3-1/4	7/8	23/32
	1-5/8	4.9		43.7	138.1	7.9	76.2	82.6	22.2	18.3
	40mm	2.3								
210	1-11/16	5.3	NS400	1-3/4	5-1/2	5/16	3	3-1/4	7/8	19/32
	1-3/4	5.2		44.5	139.7	7.9	76.2	82.6	22.2	15.1
	45mm	2.4								
211	1-15/16	7.0	NS407	1-27/32	6-1/8	5/16	3-1/2	3-5/8	1	11/16
	2	6.8		46.8	155.6	7.9	88.9	92.1	25.4	17.5
	50mm	3.2								
212	2-3/16	8.9	NS415	1-63/64	6-11/16	5/16	3-3/4	3-7/8	1	11/16
	2-1/4	8.7		50.4	169.9	7.9	95.3	98.4	25.4	17.5
	55mm	4.0								

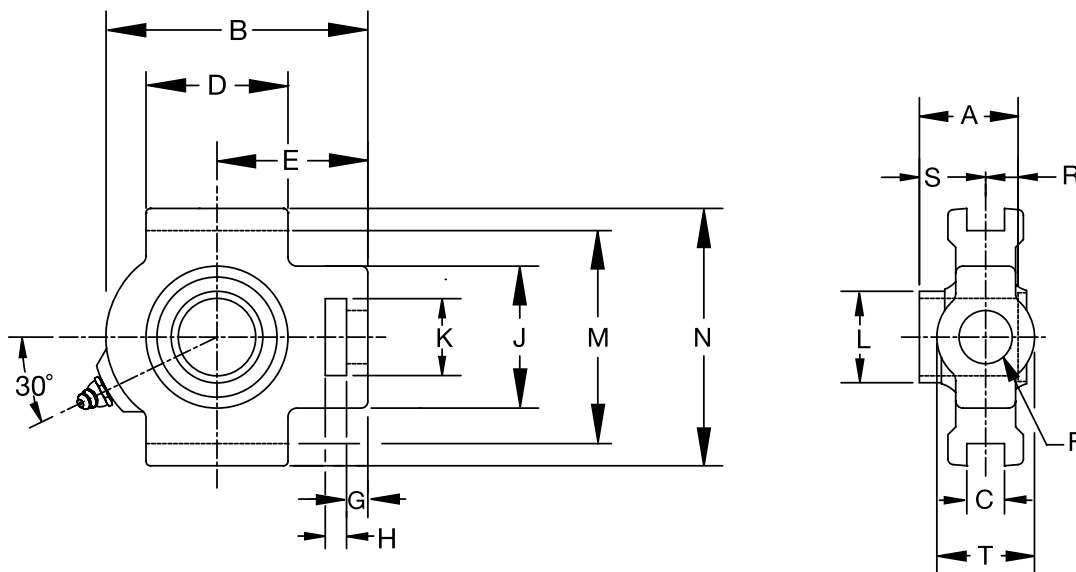
#+ or -.015", + or -.38mm"

Series	Shaft Size	H	J	L	M#	N	P Pin Dia.	R	S
206	1	15/16	1-3/8	1-37/64	3-1/2	4-1/8	5/16	31/64	29/32
	25mm	23.8	34.9	40.1	88.9	104.8	7.9	12.3	23.0
207	1-3/16	15/16	1-3/8	1-27/32	3-1/2	4-1/8	5/16	1/2	1-1/32
	1-1/4	23.8	34.9	46.8	88.9	104.8	7.9	12.7	26.2
	30mm								
208	1-7/16	1-5/32	1-5/8	2-3/64	4	4-3/4	3/8	19/32	1-3/32
	35mm	29.4	41.3	52.0	101.60	120.7	9.5	15.1	27.8
209	1-1/2	1-7/32	1-5/8	2-7/32	4	4-3/4	3/8	19/32	1-1/8
	1-5/8	31.0	41.3	56.4	101.60	120.7	9.5	15.1	28.6
	40mm								
210	1-11/16	1-3/32	1-5/8	2-7/16	4	4-3/4	3/8	19/32	1-5/32
	1-3/4	27.8	41.3	61.9	101.60	120.7	9.5	15.1	29.4
	45mm								
211	1-15/16	1-9/32	1-3/4	2-23/32	4-7/16	5-3/8	7/16	5/8	1-7/32
	2	32.5	44.5	69.1	112.7	136.5	11.1	15.9	31.0
	50mm								
212	2-3/16	1-9/32	1-5/8	2-31/32	4-15/16	5-3/4	7/16	43/64	1-5/16
	2-1/4	32.5	41.3	75.4	125.4	146.1	11.1	17.1	33.3
	55mm								



# SELECTION/DIMENSIONS

## Extreme Duty Setscrew Ball Bearings SCED NORMAL DUTY WIDE SLOT TAKE-UP BEARINGS

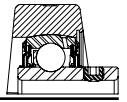


Series	Shaft Size	Standard Part No.	Description
204	1/2	@	WSTU-SC-008
	5/8	@	WSTU-SC-010
	3/4	<b>076091</b>	WSTU-SCED-012
	20mm	<b>076274</b>	WSTU-SCED-20M
205	7/8	@	WSTU-SC-014
	15/16	@	WSTU-SC-015
	1	<b>076092</b>	WSTU-SCED-100
	25mm	<b>076275</b>	WSTU-SCED-25M
206	1-1/16	@	WSTU-SC-101
	1-1/8	<b>076093</b>	WSTU-SCED-102
	1-3/16	<b>076094</b>	WSTU-SCED-103
	1-1/4	<b>076095</b>	WSTU-SCED-104S
	30mm	<b>076276</b>	WSTU-SCED-30M
207	1-1/4	<b>076096</b>	WSTU-SCED-104
	1-5/16	@	WSTU-SC-105
	1-3/8	<b>076097</b>	WSTU-SCED-106
	1-7/16	<b>076098</b>	WSTU-SCED-107
	35mm	<b>076277</b>	WSTU-SCED-35M
208	1-1/2	<b>076099</b>	WSTU-SCED-108
	1-5/8	@	WSTU-SC-110
	40mm	<b>076278</b>	WSTU-SCED-40M

@ Assembled to order



# SELECTION/DIMENSIONS



## Extreme Duty Setscrew Ball Bearings SCED NORMAL DUTY WIDE SLOT TAKE-UP BEARINGS

Series	Shaft Size	Weight lbs kg	Take-Up Frame Size	A	B	C*	D	E	F Screw Dia.	G
204	1/2	2.1	WS300	1-5/32	3-11/16	17/32	2	2-3/8	5/8	3/8
	5/8	2.0								
	3/4	1.9								
	20mm	0.9		29.4	93.7	13.5	50.8	60.3	15.9	9.5
205	7/8	2.2	WS300	1-3/16	3-13/16	17/32	2	2-7/16	5/8	3/8
	15/16	2.1								
	1	2.0								
	25mm	1.0		30.2	96.8	13.5	50.8	61.9	15.9	9.5
206	1-1/16	3.1	WS308	1-25/64	4-3/8	17/32	2-1/4	2-3/4	3/4	3/8
	1-1/8	3.0								
	1-3/16	2.9								
	1-1/4	2.8								
30mm	1.3	35.3	111.1	13.5	57.2	69.9	19.1	9.5		
207	1-1/4	3.8	WS308	1-17/32	4-7/8	17/32	2-1/2	3-1/16	3/4	1/2
	1-5/16	3.7								
	1-3/8	3.6								
	1-7/16	3.5								
35mm	1.6	38.9	123.8	13.5	63.5	77.8	19.1	12.7		
208	1-1/2	6.1	WS400	1-11/16	5-11/16	11/16	3-1/4	3-1/2	1	5/8
	1-5/8	6.0								
	40mm	2.8		42.9	144.5	17.5	82.6	88.9	25.4	15.9

Series	Shaft Size	H	J	K	L	M#	N	R	S	T
204	1/2	5/8	2	1-1/4	1-1/8	3	3-5/8	27/64	47/64	1-3/8
	5/8									
	3/4									
	20mm	15.9	50.8	31.8	28.6	76.2	92.1	10.7	18.7	34.9
205	7/8	5/8	2	1-5/16	1-21/64	3	3-5/8	27/64	49/64	1-3/8
	15/16									
	1									
	25mm	15.9	50.8	33.3	33.7	76.2	92.1	10.7	19.4	34.9
206	1-1/16	5/8	2-3/16	1-7/16	1-37/64	3-1/2	4-1/8	31/64	29/32	1-5/8
	1-1/8									
	1-3/16									
	1-1/4									
30mm	15.9	55.6	36.5	40.1	88.9	104.8	12.3	23.0	41.3	
207	1-1/4	5/8	2-1/2	1-7/16	1-27/32	3-1/2	4-1/8	1/2	1-1/32	1-5/8
	1-5/16									
	1-3/8									
	1-7/16									
35mm	15.9	63.5	36.5	46.8	88.9	104.8	12.7	26.2	41.3	
208	1-1/2	3/4	3-1/4	1-15/16	2-3/64	4	4-1/2	19/32	1-3/32	1-15/16
	1-5/8									
	40mm	19.1	82.6	49.2	52.0	101.6	114.3	15.1	27.8	49.2

\*+ or -.015", + or -.38mm

# +.010, -.020" +.25mm, -.50mm

ULTRA KLEEN

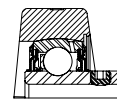
E-Z KLEEN

EXTREME DUTY

IMPERIAL-HD

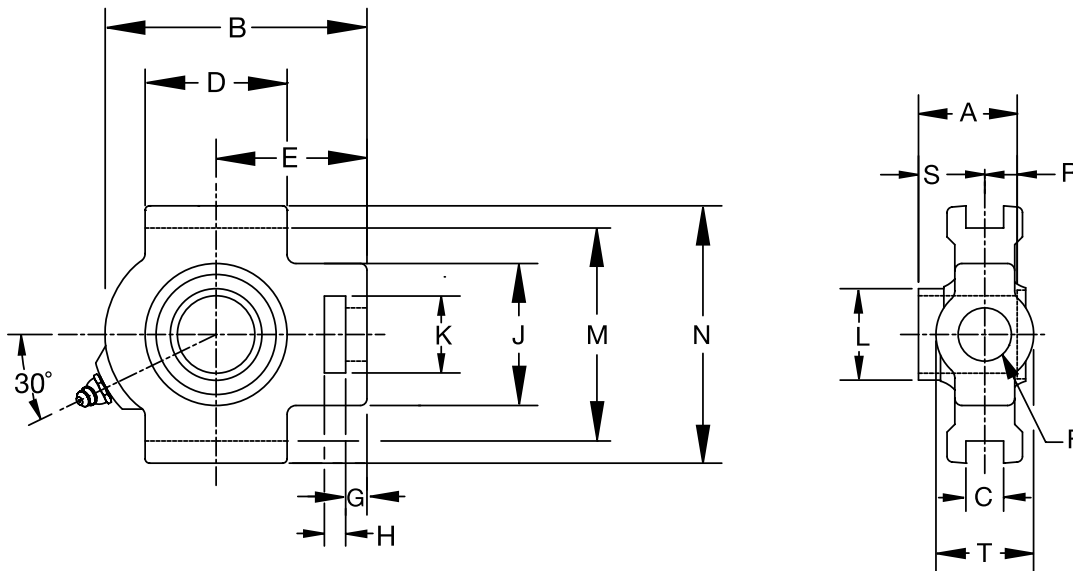
S2000-HD

PART NUMBER INDEX



# SELECTION/DIMENSIONS

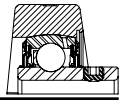
## Extreme Duty Setscrew Ball Bearings SCED NORMAL DUTY WIDE SLOT TAKE-UP BEARINGS



Series	Shaft Size	Standard Part No.	Description
209	1-5/8	@	WSTU-SCED-110L
	1-11/16	<b>076100</b>	WSTU-SCED-111
	1-3/4	<b>076101</b>	WSTU-SCED-112
	1-13/16	@	WSTU-SCED-113
	45mm	<b>076279</b>	WSTU-SCED-45M
210	1-15/16	<b>076102</b>	WSTU-SCED-115
	2	<b>076103</b>	WSTU-SCED-200
	50mm	<b>076280</b>	WSTU-SCED-50M
211	2	<b>076197</b>	WSTU-SCMED-200
	2-3/16	<b>076104</b>	WSTU-SCED-203
	2-1/4	@	WSTU-SCED-204
	55mm	<b>076281</b>	WSTU-SCED-55M
212	2-1/4	@	WSTU-SCMED-204
	2-7/16	<b>076105</b>	WSTU-SCED-207
	60mm	<b>076282</b>	WSTU-SCED-60M
214	2-1/2	<b>076200</b>	WSTU-SCMED-208
	2-11/16	<b>076106</b>	WSTU-SCED-211
	70mm	<b>076283</b>	WSTU-SCED-70M
215	2-15/16	<b>076107</b>	WSTU-SCED-215
	75mm	<b>076284</b>	WSTU-SCED-75M

@ Assembled to order

# SELECTION/DIMENSIONS



## Extreme Duty Setscrew Ball Bearings SCED NORMAL DUTY WIDE SLOT TAKE-UP BEARINGS

Series	Shaft Size	Weight lbs kg	Take-Up Frame Size	A	B	C*	D	E	F Screw Dia.	G
209	1-5/8	6.1	WS400	1-23/32	5-5/8	11/16	3-1/4	3-7/16	1	5/8
	1-11/16	6.0								
	1-3/4	5.9								
	1-13/16	5.8								
	45mm	2.7		43.7	142.9	17.5	82.6	87.3	25.4	15.9
210	1-15/16	6.4	WS400	1-3/4	5-13/16	11/16	3-3/8	3-9/16	1	5/8
	2	6.2								
	50mm	2.9		44.5	147.6	17.5	85.7	90.5	25.4	15.9
211	2	10.1	WS502	1-27/32	6-11/16	1-1/16	3-3/4	4-3/16	1-1/4	3/4
	2-3/16	10.0								
	2-1/4	9.8								
	55mm	4.5		46.8	169.9	27.0	95.3	106.4	31.8	19.1
212	2-1/4	11.2	WS502	1-63/64	7-1/2	1-1/16	4	4-11/16	1-1/4	3/4
	2-7/16	10.8								
	60mm	4.9		50.4	190.5	27.0	101.6	119.1	31.8	19.1
214	2-1/2	18.0	WS515	2-15/64	8-9/16	1-1/16	4-3/4	5-3/8	1-1/2	13/16
	2-11/16	17.8								
	70mm	8.0		56.8	217.5	27.0	120.7	136.5	38.1	20.6
215	2-15/16	18.9	WS515	2-9/32	9-1/8	1-1/16	4-3/4	5-1/2	1-1/2	13/16
	75mm	8.6		57.9	231.8	27.0	120.7	139.7	38.1	20.6

Series	Shaft Size	H	J	K	L	M#	N	R	S	T
209	1-5/8	3/4	3-1/4	1-15/16	2-7/32	4	4-3/4	19/32	1-1/8	1-15/16
	1-11/16									
	1-3/4									
	1-13/16									
	45mm	19.1	82.6	49.2	56.4	101.6	120.7	15.1	28.6	49.2
210	1-15/16	3/4	3-1/4	1-15/16	2-7/16	4	4-3/4	19/32	1-5/32	1-15/16
	2									
	50mm	19.1	82.6	49.2	61.9	101.6	120.7	15.1	29.4	49.2
211	2	1	4	2-1/2	2-23/32	5-1/8	5-7/8	5/8	1-7/32	2-1/2
	2-3/16									
	55mm	25.4	101.6	63.5	69.1	130.2	149.2	15.9	31.0	63.5
212	2-1/4	1-1/4	4	2-1/2	2-31/32	5-1/8	5-7/8	43/64	1-5/16	2-1/2
	60mm	31.8	101.6	63.5	75.4	130.2	149.2	17.1	33.3	63.5
214	2-1/2	1-1/4	4-3/8	2-3/4	3-5/16	5-15/16	6-9/16	51/64	1-7/16	2-3/4
	70mm	31.8	111.1	69.9	84.1	150.8	166.7	20.2	36.5	69.9
215	2-15/16	1-1/4	4-3/8	2-3/4	3-5/8	5-15/16	6-11/16	13/16	1-15/32	2-3/4
	75mm	31.8	111.1	69.9	92.1	150.8	169.9	20.6	37.3	69.9

\*+ or -.015", + or -.38mm

# +.010, -.020" +.25mm, -.50mm

ULTRA KLEEN

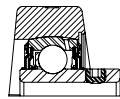
E-Z KLEEN

EXTREME DUTY

IMPERIAL-HD

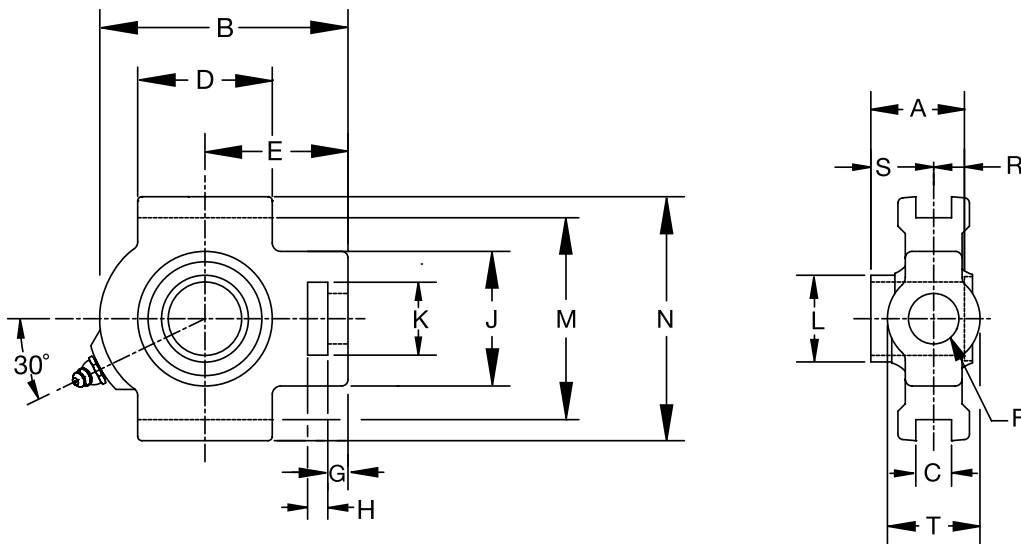
S2000-HD

PART NUMBER INDEX



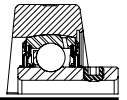
# SELECTION/DIMENSIONS

## Extreme Duty Setscrew Ball Bearings SCMED MEDIUM DUTY WIDE SLOT TAKE-UP BEARINGS



Series	Shaft Size	Part No.	Description
206	1	<b>076190</b>	WSTU-SCMED-100
	25mm	<b>076334</b>	WSTU-SCMED-25M
207	1-3/16	<b>076191</b>	WSTU-SCMED-103
	1-1/4	<b>076096</b>	WSTU-SCMED-104
	30mm	<b>076335</b>	WSTU-SCMED-30M
208	1-7/16	<b>076192</b>	WSTU-SCMED-107
	35mm	<b>076336</b>	WSTU-SCMED-35M
209	1-1/2	<b>076193</b>	WSTU-SCMED-108
	40mm	<b>076337</b>	WSTU-SCMED-40M
210	1-11/16	<b>076194</b>	WSTU-SCMED-111
	1-3/4	<b>076195</b>	WSTU-SCMED-112
	45mm	<b>076338</b>	WSTU-SCMED-45M

# SELECTION/DIMENSIONS



## Extreme Duty Setscrew Ball Bearings SCMED MEDIUM DUTY WIDE SLOT TAKE-UP BEARINGS

Series	Shaft Size	Weight lbs. kgs.	Take-Up Frame No. Ref.	A	B	C*	D	E	F Screw Dia.	G
206	1	2.9	WS308	1-25/64	4-3/8	17/32	2-1/4	2-3/4	3/4	3/8
	25mm	1.4		35.3	111.1	13.5	57.2	69.9	19.1	9.5
207	1-3/16	3.9	WS308	1-17/32	4-7/8	17/32	2-1/2	3-1/16	3/4	1/2
	1-1/4	3.8		38.9	123.8	13.5	63.5	77.8	19.1	12.7
208	1-7/16	6.1	WS400	1-11/16	5-11/16	11/16	3-1/4	3-1/2	1	5/8
	35mm	2.9		42.9	144.5	17.5	82.6	88.9	25.40	15.9
209	1-1/2	6.0	WS400	1-23/32	5-5/8	11/16	3-1/4	3-7/16	1	5/8
	40mm	2.8		43.7	142.9	17.5	82.6	87.3	25.40	15.9
210	1-11/16	6.5	WS400	1-3/4	5-13/16	11/16	3-3/8	3-9/16	1	5/8
	1-3/4	6.4		44.5	147.6	17.5	85.7	90.5	25.40	15.9

Series	Shaft Size	H	J	K	L	M#	N	R	S	T
206	1	5/8	2-3/16	1-7/16	1-37/64	3-1/2	4-1/8	31/64	29/32	1-5/8
	25mm	15.9	55.6	36.5	40.1	88.9	104.8	12.3	23.0	41.3
207	1-3/16	5/8	2-1/2	1-7/16	1-27/32	3-1/2	4-1/8	1/2	1-1/32	1-5/8
	1-1/4	15.9	63.5	36.5	46.8	88.9	104.8	12.7	26.2	41.3
208	1-7/16	3/4	3-1/4	1-15/16	2-3/64	4	4-1/2	19/32	1-3/32	1-15/16
	35mm	19.1	82.6	49.2	52.0	101.6	114.3	15.1	27.8	49.2
209	1-1/2	3/4	3-1/4	1-15/16	2-7/32	4	4-3/4	19/32	1-1/8	1-15/16
	40mm	19.1	82.6	49.2	56.4	101.6	120.7	15.1	28.6	49.2
210	1-11/16	3/4	3-1/4	1-15/16	2-7/16	4	4-3/4	19/32	1-5/32	1-15/16
	1-3/4	19.1	82.6	49.2	61.9	101.6	20.7	15.1	29.4	49.2

\*+ or -.015, + or -.38mm

#+.010, -.020" +.25mm, -.50mm

ULTRA KLEEN

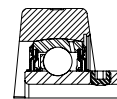
E-Z KLEEN

EXTREME DUTY

IMPERIAL-HD

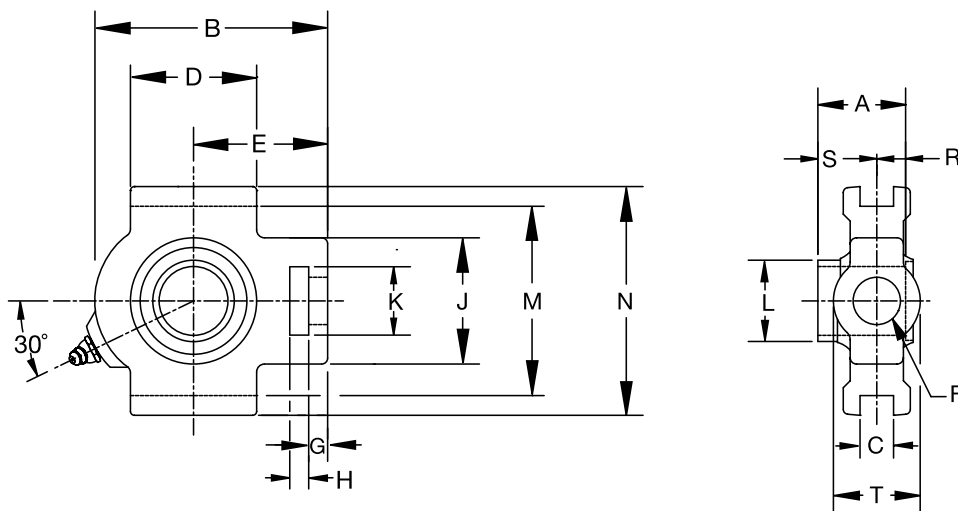
S2000-HD

PART NUMBER INDEX



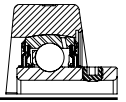
# SELECTION/DIMENSIONS

## Extreme Duty Setscrew Ball Bearings SCMED MEDIUM DUTY WIDE SLOT TAKE-UP BEARINGS



Series	Shaft Size	Part No.	Description
211	1-15/16	<b>076196</b>	WSTU-SCMED-115
	2	<b>076197</b>	WSTU-SCMED-200
	50mm	<b>076339</b>	WSTU-SCMED-50M
212	2-3/16	<b>076198</b>	WSTU-SCMED-203
	2-1/4	<b>@</b>	WSTU-SCMED-204
	55mm	<b>076340</b>	WSTU-SCMED-55M
214	2-7/16	<b>076199</b>	WSTU-SCMED-207
	2-1/2	<b>076200</b>	WSTU-SCMED-208
	65mm	<b>076341</b>	WSTU-SCMED-65M
215	2-11/16	<b>076201</b>	WSTU-SCMED-211
	70mm	<b>076342</b>	WSTU-SCMED-70M
216	2-15/16	<b>076202</b>	WSTU-SCMED-215
	3	<b>076203</b>	WSTU-SCMED-300
	75mm	<b>076343</b>	WSTU-SCMED-75M

@ Assembled to order



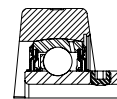
**Extreme Duty Setscrew Ball Bearings**  
**SCMED MEDIUM DUTY WIDE SLOT TAKE-UP BEARINGS**

Series	Shaft Size	Weight lbs. kgs.	Take-Up Frame No. Ref.	A	B	C*	D	E	F Screw Dia.	G
211	1-15/16	10.1	WS502	1-27/32	6-11/16	1-1/16	3-3/4	4-3/16	1-1/4	3/4
	2	10.2		46.8	159.9	27.0	95.3	106.4	31.8	19.1
	50mm	4.7								
212	2-3/16	11.4	WS502	1-63/64	7-1/2	1-1/16	4	4-11/16	1-1/4	3/4
	2-1/4	11.2		50.4	190.5	27.0	101.60	119.1	31.8	19.1
	55mm	5.1								
214	2-7/16	18.2	WS515	2-15/64	8-9/16	1-1/16	4-3/4	5-3/8	1-1/2	13/16
	2-1/2	18.0		56.8	217.5	27.0	120.7	136.5	38.1	20.6
	65mm	8.1								
215	2-11/16	19.0	WS515	2-9/32	9-1/8	1-1/16	4-3/4	5-1/2	1-1/2	13/16
	70mm	8.9		57.9	231.8	27.0	120.7	139.7	38.1	20.6
216	2-15/16	21.7	WS608	2-11/64	9-1/8	1-1/16	4-3/4	5-1/2	1-1/2	13/16
	3	21.5		55.2	231.8	27.0	120.7	139.7	38.1	20.6
75mm	9.5									

Series	Shaft Size	H	J	K	L	M#	N	R	S	T
211	1-15/16	1	4	2-1/2	2-23/32	5-1/8	5-7/8	5/8	1-7/32	2-1/2
	2			63.5	69.1	130.2	149.2	15.9	31.0	63.5
	50mm	25.4	101.6							
212	2-3/16	1-1/4	4	2-1/2	2-31/32	5-1/8	5-7/8	43/64	1-5/16	2-1/2
	2-1/4			63.5	75.4	130.2	149.2	17.1	33.3	63.5
	55mm	31.8	101.60							
214	2-7/16	1-1/4	4-3/8	2-3/4	3-5/16	5-15/16	6-9/16	51/64	1-7/16	2-3/4
	2-1/2			69.9	84.1	150.8	166.7	20.2	36.5	69.9
	65mm	31.8	111.1							
215	2-11/16	1-1/4	4-3/8	2-3/4	3-5/8	5-15/16	6-11/16	13/16	1-15/32	2-3/4
	70mm	31.8	111.1	69.9	92.1	150.8	169.9	20.6	37.3	69.9
216	2-15/16	1-1/4	4-3/8	2-3/4	3-53/64	6-1/2	7-1/4	43/64	1-1/23	2-3/4
	3			69.9	97.2	165.1	184.2	17.1	38.1	69.9
75mm	31.8	111.1								

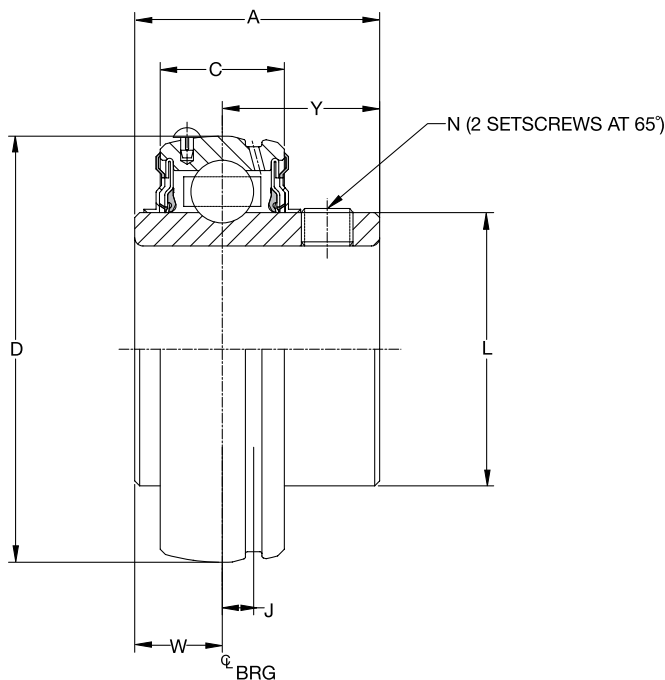
\*+ or -.015, + or -.38mm

#+.010, -.020" +.25mm, -.50mm



## SELECTION/DIMENSIONS

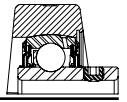
### Extreme Duty Setscrew Ball Bearings SCED NORMAL DUTY BEARING INSERTS



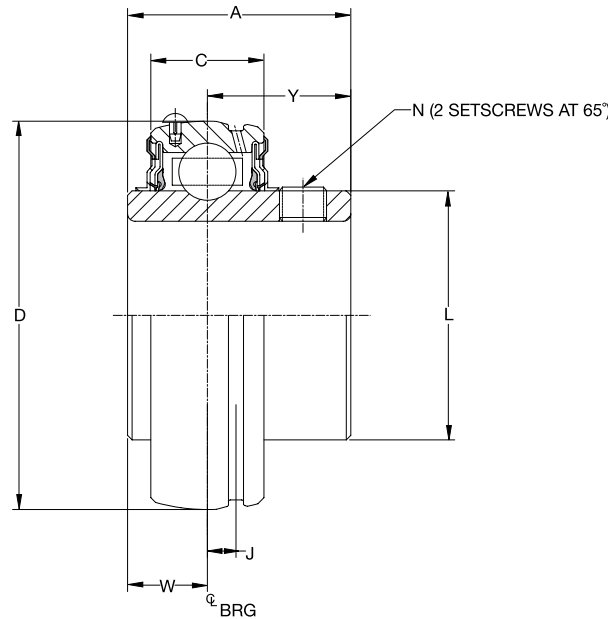
Series	Shaft Size	Standard Insert Part No.	Description	Weight Lbs kg	A	C	D	J	L	N	W	Y
204	1/2	@	INS-SCED-008L	.38	1-5/32	.5906	1.8504	0.152	1-1/8	10-32	27/64	47/64
	5/8	@	INS-SCED-010L	.35						10-32		
	3/4	<b>076108</b>	INS-SCED-012	.32						1/4-28		
	13/16	<b>076111</b>	INS-SCED-103	.29						1/4-28		
	20mm	@	INS-SCED-20M	.16	29.4	15.0	47.0	3.9	28.6	M6x1	10.7	18.7
205	7/8	@	INS-SCED-014	.43	1-3/16	.5906	2.0472	.152	1-21/64	1/4-28	27/64	49/64
	15/16	@	INS-SCED-015	.40								
	1	<b>076109</b>	INS-SCED-100	.37								
	25mm	<b>076286</b>	INS-SCED-25M	.18	30.2	15.0	52.0	3.9	33.7	M6x1	10.7	19.4
206	1-1/16	@	INS-SCED-101	.67	1-25/64	.7067	2.4409	.190	1-37/64	5/16-24	31/64	29/32
	1-1/8	<b>076110</b>	INS-SCED-102	.63						5/16-24		
	1-3/16	<b>076111</b>	INS-SCED-103	.60						5/16-24		
	1-1/4	<b>076112</b>	INS-SCED-104S	.58						1/4-28		
	30mm	<b>076287</b>	INS-SCED-30M	.27	35.3	18.0	62.0	4.8	40.1	M8x1.25	12.3	23.0
207	1-1/4	<b>076113</b>	INS-SCED-104	1.02	1-17/32	.7480	2.8346	.202	1-27/32	5/16-24	1/2	1-1/32
	1-5/16	@	INS-SCED-105	.97								
	1-3/8	<b>076114</b>	INS-SCED-106	.92								
	1-7/16	<b>076115</b>	INS-SCED-107	.86								
	35mm	<b>076288</b>	INS-SCED-35M	.44	38.9	19.0	72.0	5.1	46.8	M8x1.25	12.7	26.2

@ Assembled to order





**Extreme Duty Setscrew Ball Bearings**  
**SCED NORMAL DUTY BEARING INSERTS**



Series Size	Shaft	Standard Insert Part No.	Description	Weight Lbs kg	A	C	D	J	L	N	W	Y
208	1-1/2	<b>076116</b>	INS-SCED-108	1.27	1-11/16	.8661	3.149	.224	2-3/64	5/16-24	19/32	1-3/32
	1-5/8	@	INS-SCED-110	1.13								
	40mm	<b>076289</b>	INS-SCED-40M	0.51	42.9	22.0	80.0	5.7	52.0	M8x1.25	15.1	27.8
209	1-5/8	@	INS-SCED-110L	1.49	1-23/32	.8661	3.3465	.248	2-7/32	5/16-24	19/32	1-1/8
	1-11/16	<b>076117</b>	INS-SCED-111	1.43								
	1-3/4	<b>076118</b>	INS-SCED-112	1.36								
	1-13/16	@	INS-SCED-113	1.30								
	45mm	<b>076290</b>	INS-SCED-45M	0.62	43.7	22.0	85.0	6.3	56.4	M8x1.25	15.1	28.6
210	1-15/16	<b>076119</b>	INS-SCED-115	1.48	1-3/4	.8661	3.5433	.248	2-7/16	3/8-24	19/32	1-5/32
	2	<b>076120</b>	INS-SCED-200	1.39								
	50mm	<b>076291</b>	INS-SCED-50M	0.67	44.5	22.0	90.0	6.3	61.9	M10x1.5	15.1	29.4
211	2	<b>076211</b>	INS-SCMED-200	2.26	1-27/32	.9449	3.9370	.267	2-23/32	3/8-24	5/8	1-7/32
	2-3/16	<b>076121</b>	INS-SCED-203	1.97								
	2-1/4	@	INS-SCED-204	1.87								
	55mm	<b>076292</b>	INS-SCED-55M	0.89	46.8	24.0	100.0	6.8	69.1	M10x1.5	15.9	31.0
212	2-1/4	@	INS-SCMED-204	2.85	1-63/64	1.0240	4.3307	.250	2-31/32	3/8-24	43/64	1-5/16
	2-7/16	<b>076122</b>	INS-SCED-207	2.49								
	60mm	<b>076293</b>	INS-SCED-60M	1.13	50.4	26.0	110.0	6.4	75.4	M10x1.5	17.1	33.3
214	2-1/2	<b>076214</b>	INS-SCMED-208	4.25	2-15/64	1.1020	4.9213	.264	3-5/16	3/8-24	51/64	1-7/16
	2-11/16	<b>076123</b>	INS-SCED-211	3.60								
	70mm	<b>076294</b>	INS-SCED-70M	1.63	56.8	28.0	125.0	6.7	84.1	M10x1.5	20.2	36.5
215	2-15/16	<b>076124</b>	INS-SCED-215	3.86	2-9/32	1.1420	5.1181	.265	3-5/8	3/8-24	13/16	1-15/32
	75mm	<b>076295</b>	INS-SCED-75M	1.75	57.9	29.0	130.0	6.7	92.1	M10x1.5	20.6	37.3
218	90mm	@	INS-SCED-90M	3.30	63.1	34.0	160.0	7.6	110.7	M10x1.5	23.4	39.7

@ Assembled to order.

\* 20 piece minimum

ULTRA KLEEN

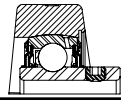
E-Z KLEEN

EXTREME DUTY

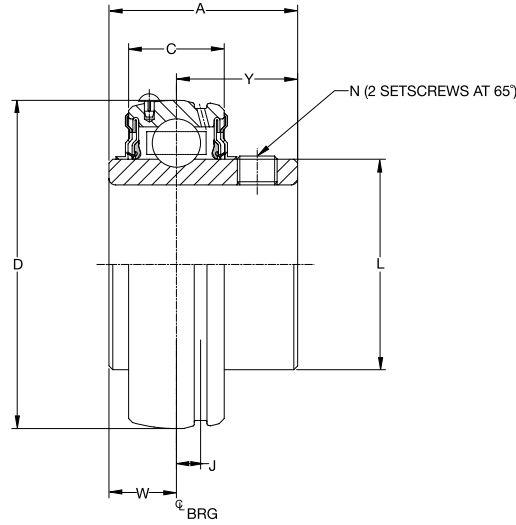
IMPERIAL-HD

S2000-HD

PART NUMBER INDEX



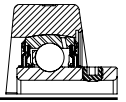
**Extreme Duty Setscrew Ball Bearings**  
**SCMED MEDIUM DUTY BEARING INSERTS**



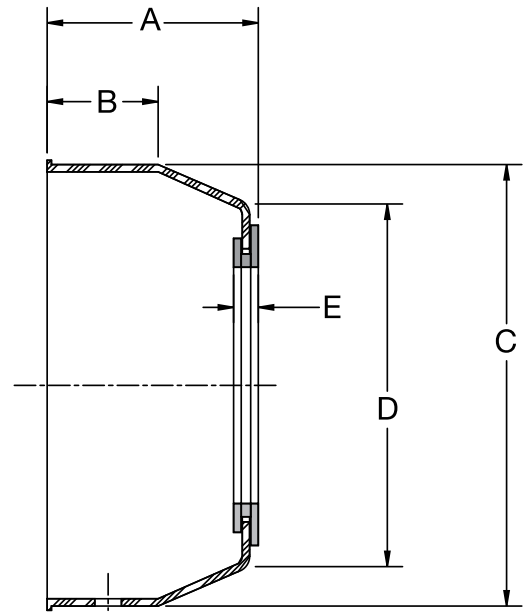
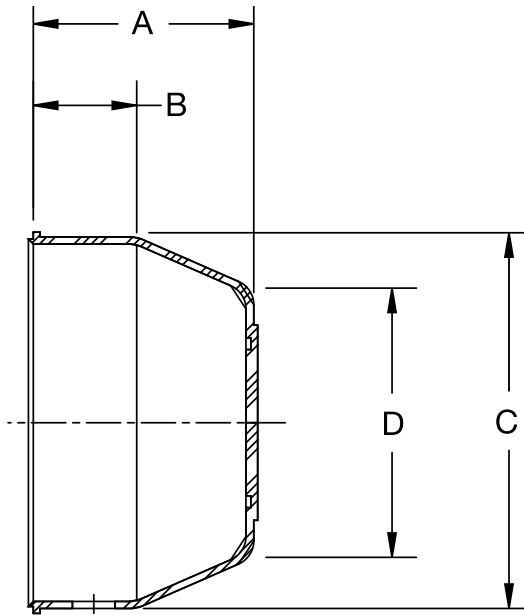
Series	Shaft Size	Standard Insert Part No.	Description	Weight Lbs. kg	A	C	D	J	L	N	W	Y
206	1	<b>076204</b>	INS-SCMED-100	0.71	1-25/64	.7067	2.4409	.190	1-37/64	5/16-24	31/64	29/32
	25mm	<b>076344</b>	INS-SCMED-25M	0.32	35.3	18.0	62.0	4.8	40.1	M8x1.25	23.0	23.0
207	1-3/16	<b>076205</b>	INS-SCMED-103	1.07	1-17/32	.7480	2.8346	.202	1-27/32	5/16-24	1/2	1-1/32
	1-1/4	<b>076113</b>	INS-SCMED-104	1.02								
	30mm	<b>076287</b>	INS-SCMED-30M	0.53	38.9	19.0	72.0	5.1	46.8	M8x1.25	12.7	26.2
208	1-7/16	<b>076206</b>	INS-SCMED-107	1.32	1-11/16	.8661	3.1496	.224	2-3/64	5/16-24	19/32	1-3/32
	1-1/2#	<b>076116</b>	INS-SCMED-108	1.27								
	35mm	<b>076346</b>	INS-SCMED-35M	0.60	42.9	22.0	80.0	5.7	52.0	M8x1.25	15.1	27.8
209	1-1/2	<b>076207</b>	INS-SCMED-108	1.62	1-23/32	.8661	3.3465	.248	2-7/32	5/16-24	19/32	1-1/8
	1-5/8	@	INS-SCMED-110L	1.49								
	40mm	<b>076347</b>	INS-SCMED-40M	0.71	43.7	22.0	85.0	6.3	56.4	M8x1.25	15.1	28.6
210	1-11/16	<b>076208</b>	INS-SCMED-111	1.82	1-3/4	.8661	3.5433	.248	2-7/16	3/8-24	19/32	1-5/32
	1-3/4	<b>076209</b>	INS-SCMED-112	1.74								
	45mm	<b>076348</b>	INS-SCMED-45M	0.76	44.5	22.0	90.0	6.3	61.9	M10x1.5	15.1	29.4
211	1-15/16	<b>076210</b>	INS-SCMED-115	2.36	1-27/32	.9449	3.9370	.267	2-23/32	3/8-24	5/8	1-7/32
	2	<b>076211</b>	INS-SCMED-200	2.26								
	50mm	<b>076349</b>	INS-SCMED-50M	1.03	46.8	24.0	100.0	6.8	69.1	M10x1.5	15.9	31
212	2-3/16	<b>076212</b>	INS-SCMED-203	2.97	1-63/64	1.0240	4.3307	.250	2-31/32	3/8-24	43/64	1-5/16
	2-1/4	@	INS-SCMED-204	2.85								
	55mm	<b>076350</b>	INS-SCMED-55M	1.27	50.4	26.0	110.0	6.4	75.4	M10x1.5	17.1	33.3
214	2-7/16	<b>076213</b>	INS-SCMED-207	4.39	2-15/64	1.1020	4.9213	.265	3-5/16	3/8-245	51/64	1-7/16
	2-1/2	<b>076214</b>	INS-SCMED-208	4.25								
	60mm	<b>076351</b>	INS-SCMED-65M	1.86	56.8	28.0	110.0	6.7	84.1	M10x1.5	20.2	36.5
215	2-11/16	<b>076215</b>	INS-SCMED-211	4.49	2-9/32	1.1420	5.1181	.265	3-5/8	3/8-24	13/16	1-15/32
	70mm	<b>076352</b>	INS-SCMED-70M	1.98	57.9	29.0	130.0	6.7	92.1	M10x1.5	20.6	37.3
216	2-15/16	<b>076216</b>	INS-SCMED-215	5.54	2-11/32	1.1810	5.5118	.285	3-53/64	3/8-24	43/64	1-1/2
	3	<b>076217</b>	INS-SCMED-300	5.52								
	75mm	<b>076353</b>	INS-SCMED-75M	2.51	59.5	30.0	140.0	7.2	97.2	M10x1.5	17.1	38.1
218	3-7/16	<b>076218</b>	INS-SCMED-307	7.35	2-31/64	1.3400	6.2992	.300	4-23/64	3/8-24	59/64	1-9/16
	3-1/2	<b>076219</b>	INS-SCMED-308	7.33								
	85mm	<b>076354</b>	INS-SCMED-85M	3.33	63.1	34.0	160.0	7.6	110.7	M10x1.5	23.4	39.7

@ Assembled to order

# SCM Piloted Flange Only



**Extreme Duty Ball Bearing  
END CLOSURES**



Series	Closed End Closure	
	Part Number	Description
204	<b>128280</b>	EC-204-Y
205	<b>128281</b>	EC-205-Y
206	<b>128282</b>	EC-206-Y
207	<b>128283</b>	EC-207-Y
208	<b>128284</b>	EC-208-Y
209	<b>128285</b>	EC-209-Y
210	<b>128286</b>	EC-210-Y
211	<b>128277</b>	EC-211-Y
212	<b>128278</b>	EC-212-Y

Open End Closure		
Shaft Size	Part Number	Description
3/4	<b>128350</b>	ECO-012-Y
20mm	<b>128363</b>	ECO-20M-Y
1	<b>128351</b>	ECO-100-Y
25mm	<b>128364</b>	ECO-25M-Y
1-3/16	<b>128352</b>	ECO-103-Y
1-1/4	<b>128353</b>	ECO-104S-Y
30mm	<b>128365</b>	ECO-30M-Y
1-1/4	<b>128355</b>	ECO-104-Y
1-7/16	<b>128354</b>	ECO-107-Y
35mm	<b>128366</b>	ECO-35M-Y
1-1/2	<b>128356</b>	ECO-108-Y
40mm	<b>128367</b>	ECO-40M-Y
1-11/16	<b>128357</b>	ECO-111-Y
45mm	<b>128368</b>	ECO-45M-Y
1-15/16	<b>128358</b>	ECO-115-Y
50mm	<b>128369</b>	ECO-50M-Y

ULTRA KLEEN

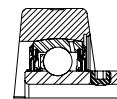
E-Z KLEEN

EXTREME DUTY

IMPERIAL-HD

S2000-HD

PART NUMBER INDEX



## ACCESSORIES

# Extreme Duty Polymer and Stainless Steel Housed Mounted Bearings

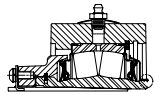
### Open Cover Extreme Duty Dimensions

Series	Shaft Size	A	B	C	D	E
204	3/4	1-3/16	17/32	1-29/32	1-3/8	3/16
	20mm	30.2	13.5	48.4	35.1	4.9
205	1	1-1/4	17/32	2-11/64	1-39/64	3/16
	25mm	31.8	13.5	55.1	40.9	4.9
206	1-3/16	1-25/64	9/16	2-1/2	31/32	3/16
	1-1/4					
	30mm	35.3	14.2	63.5	50.0	4.9
207	1-1/4	1-17/32	11/16	2-29/32	2-5/16	3/16
	1-7/16					
	35mm	38.9	17.5	73.9	58.9	4.9
208	1-1/2	1-19/32	11/16	3-5/16	2-49/64	13/64
	40mm	40.6	17.5	84.1	70.1	5.1
209	1-11/16	1-21/32	23/32	3-1/2	2-7/8	13/64
	45mm	41.9	18.3	88.9	72.9	5.1
210	1-15/16	1-23/32	29/32	3-5/8	3	13/64
	50mm	43.7	23.1	91.4	76.2	5.1

### Closed Cover Extreme Duty Dimensions

Series	A	B	C	D
204	1-1/8	17/32	1-29/32	1-3/8
	28.7	13.5	48.4	35.1
205	3/16	17/32	2-11/64	1-39/64
	30.2	13.5	55.1	40.9
206	1-21/64	9/16	2-1/2	31/32
	33.8	14.2	63.5	50.0
207	1-15/32	11/16	2-29/32	2-5/16
	37.3	17.5	73.9	58.9
208	1-35/64	11/16	3-5/16	2-49/64
	39.1	17.5	84.1	70.1
209	1-19/32	23/32	3-1/2	2-7/8
	40.4	18.3	88.9	72.9
210	1-21/32	29/32	3-5/8	3
	42.2	23.1	91.4	76.2
211	1-51/64	31/32	3-15/16	3-19/64
	45.5	24.6	100.1	83.6
212	1-29/32	1	4-3/8	3-21/32
	48.3	25.4	111.3	92.7

## FEATURES/BENEFITS



### Dodge IMPERIAL-HD and S2000-HD

Dodge IMPERIAL-HD & S2000-HD mounted bearings feature proven Imperial & S2000 technology deployed in steel housings designed specifically for harsh applications that demand superior housing strength. Major features include choice of adapter or set screw mounting systems, high capacity cast steel housings with industry common dimensions, as well as high capacity, double row spherical inserts that are protected with either one of two effective sealing systems plus both closed & shaft through end covers.

In addition, IMPERIAL-HD & S2000-HD feature single piece, sealed inserts that can be easily replaced in the field, without the time & trouble of a bearing tear down & rebuild. Field conversion between Non-Expansion & Expansion (fixed & float) can also be accomplished in the field with the repositioning of a single snap ring.

Housing configurations include two and four bolt base pillow blocks, four bolt flanges, piloted flanges, and narrow piloted "Edger" flanges.

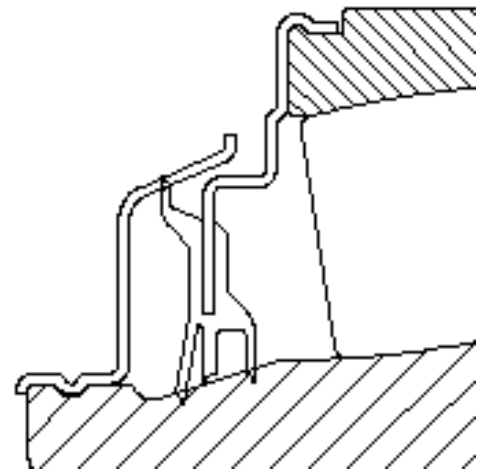


### IMPERIAL-HD and S2000-HD

#### Patented Sealing Systems Maximize Bearing Life

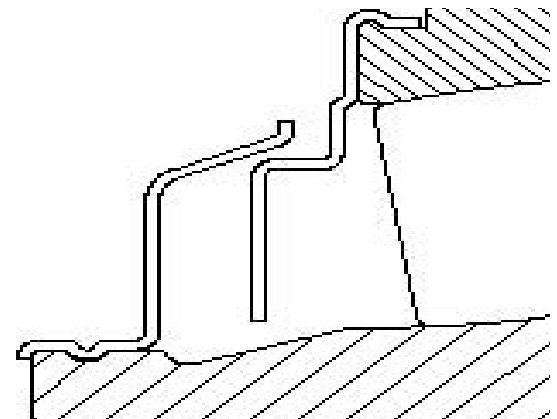
TRIDENT™ seals for low to medium speed

- Face rubbing triple lip seal
- Flinger to shield seal and bearing from contamination/damage
- Seal/land positive contact up to  $\pm 1$  degree of misalignment
- Patented design



Labyrinth seals for higher speeds or high temperatures

- High speed for relatively clean or hot environments
- 15% increase in maximum speed over standard SAF adapter mounted sphericals of the same shaft size
- Flinger to shield seal and bearing from contamination/damage
- Seal operates up to  $\pm 1$  degree of misalignment
- Patented design



ULTRA KLEEN

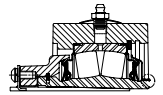
E-Z KLEEN

EXTREME DUTY

IMPERIAL-HD

S2000-HD

PART NUMBER INDEX



**Dodge IMPERIAL-HD**

Dodge IMPERIAL-HD mounted bearings feature proven Dodge Imperial bearing insert technology deployed in steel housings designed specifically for harsh applications that demand superior housing strength. Major features include...

- Imperial patented push-pull adapter mounting system
- High capacity cast steel housing
- Same dimensions as cast iron Imperial products
- Also available in popular “Type E” dimensioned housings
- Proven, high capacity spherical rollers
- Effective sealing systems for tough applications
- Closed & shaft through end covers
- Sealed inserts that can be easily replaced in the field
- Field convertible between Expansion & Non-Expansion

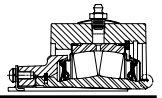
- Two bolt pillow blocks – 1-1/8 to 4”
- Four bolt pillow blocks – 2-3/8 to 5”
- Four bolt square flange – 1-1/8 to 4”
- Piloted flange – 1-1/8 to 5”
- Narrow piloted “Edger” flange – 1-7/16 to 4-7/16”

**“E” Dimensioned IMPERIAL-HD**

- Two bolt pillow blocks – 1-3/8 to 3-1/2”
- Four bolt pillow blocks – 2-1/4 to 5”
- Four bolt square flange – 1-3/8 to 4-1/2”

**IMPERIAL-HD**

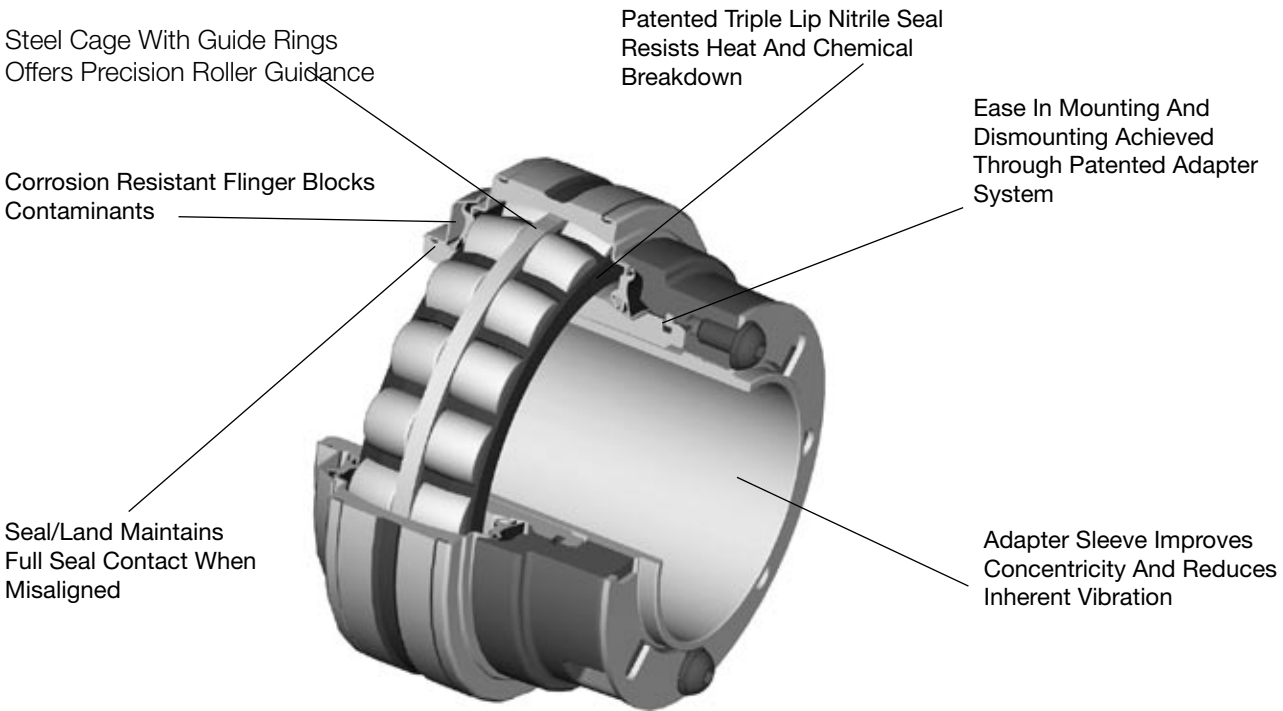




**Dodge IMPERIAL-HD**

**Patented Adapter System Offers Quick Installation And Removal**

The DODGE IMPERIAL bearing uses a thin wall push-pull adapter system that achieves clearance setting without the use of feeler gauges. The IMPERIAL bearing is installed by turning the locknut clockwise and removed by a counterclockwise rotation.



Installation And Removal Savings . . . . .

- Factory lubed, sealed and adjusted, ready to slip onto the shaft
- IMPERIAL adapter sleeve concentricity virtually eliminates fretting corrosion
- Field convertible from non-expansion to expansion and expansion to non-expansion
- Elongated pillow block bolt holes to facilitate mounting

ULTRA KLEEN

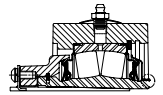
E-Z KLEEN

EXTREME DUTY

IMPERIAL-HD

S2000-HD

PART NUMBER INDEX



## How To Order

There are two ways to specify DODGE Bearings. Most of the product offerings have part numbers with listings shown throughout this catalog. Use of part numbers ensures accurate order processing.

When part numbers are not shown, the product may be specified by description or part name. This method is used when ordering units that include modifications or options. To order by description, use the nomenclature key shown on this page and add any special instructions to the end of the description for options not covered by the nomenclature.

DODGE Spherical Bearings are factory adjusted and pre-lubricated. For applications where extreme ambient temperatures, high speeds, or high loads are expected, a variety of specialty lubricants are available. Standard

lubricant provided is a lithium complex based grease. High temperature greases available include Mobil HTS #2 and Mobilith SHC460. Other special lubricants are available upon request. Special lubricant options usually involve set-up charges, minimum quantities and list price premiums. To order, specify type of lubricant required at the end of the product name or after the standard part number.

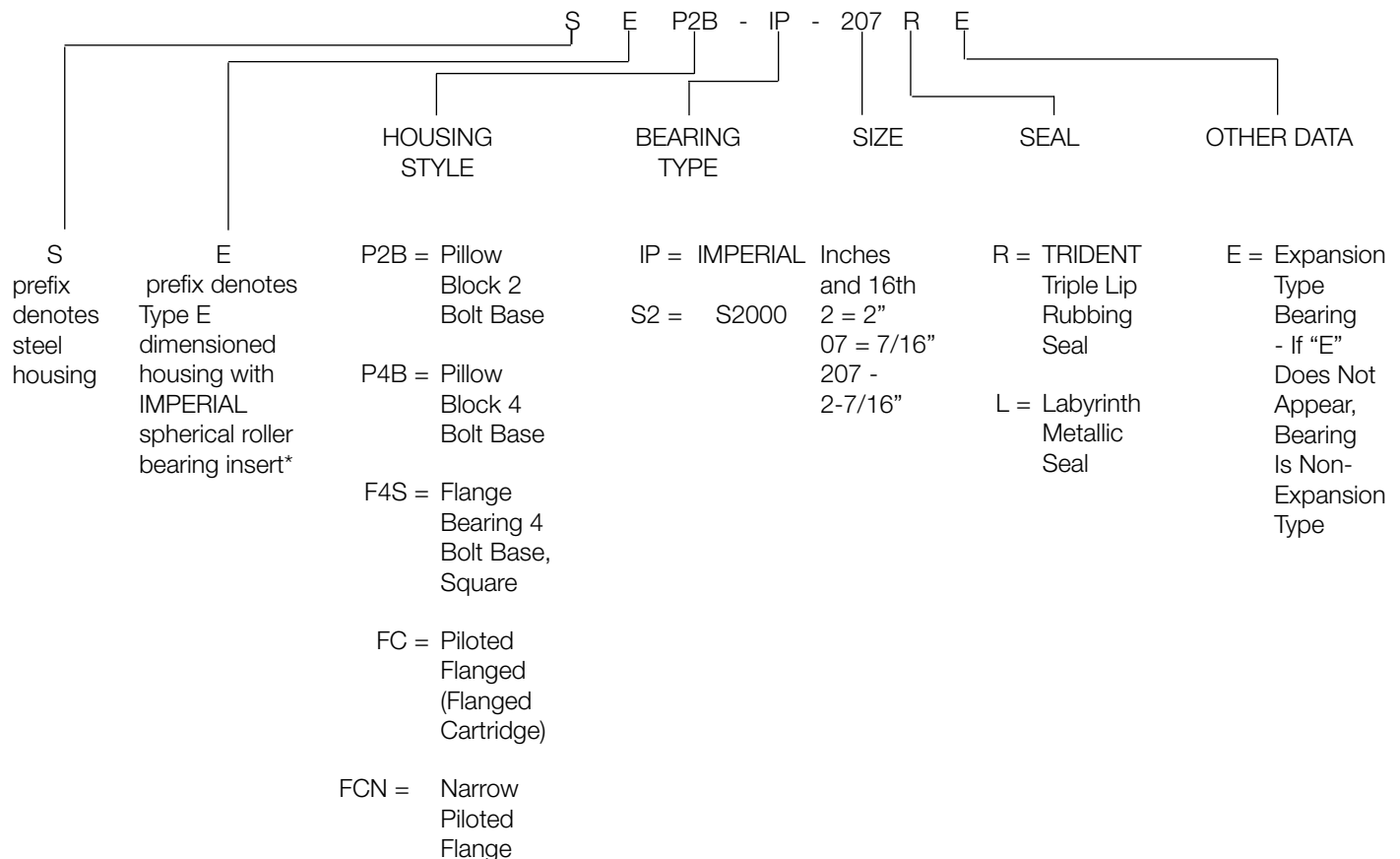
Example: 071792 or 071650 except with Mobil Grease HTS #2 grease

or

SP2BIP108R except with Mobil Grease HTS #2 grease

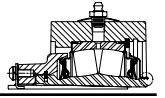
For applications requiring modifications not listed, we encourage you to contact our Application Engineering Department for Bearings at 864-284-5700.

## Nomenclature





## SPECIFICATION



### IMPERIAL-HD INCH

DODGE Spherical Bearings, including IMPERIAL bearings, are general-purpose, high-capacity, double-row spherical roller bearings. All IMPERIAL bearings are mounted in single-piece, precision-machined housings. Bearings are mounted to shafts by means of a patented adapter system that improves concentricity and reduces inherent vibration.

ASTMA A-27 Grade 70-36 Class 1 steel is the standard material used in steel IMPERIAL HD housings. Housing

designs are available for survival in extremely harsh environments, through the use of special finishes and stainless hardware.

Housings are available in a variety of standard configurations, including pillow blocks, flanges, piloted flanges and take-up bearings. TRIDENT triple lip contact seals and Labrynth seals are available on IMPERIAL bearings.



ULTRA KLEEN

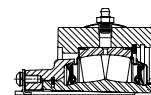
E-Z KLEEN

EXTREME DUTY

IMPERIAL-HD

S2000-HD

PART NUMBER INDEX



## SELECTION

### IMPERIAL-HD Spherical Roller Bearing

DODGE Spherical Roller Bearings have the capacity to carry heavy radial loads and combined radial and thrust loads. The maximum recommended load which can be applied is limited by various components in the system such as bearing, housing, shaft, shaft attachment, speed and life requirements as listed in this catalog. DODGE spherical roller bearings have been applied successfully even when these limits have been exceeded under controlled operating conditions. Contact DODGE Application Engineering (864-284-5700) for applications which exceed the recommendations of this catalog.

$L_{10}$  Hours Life - The life which may be expected from at least 90% of a given group of bearings operating under identical conditions.

$$L_{10} \text{ Life, Hours} = \left(\frac{C}{P}\right)^{10/3} \times \left(\frac{16667}{\text{RPM}}\right)$$

Where:

C = Dynamic Capacity (Table 1 on page B4-12 for IMPERIAL), lbs.

P = Equivalent Radial Load, lbs.

#### GENERAL

**Heavy Service** - For heavy shock loads, frequent shock loads, or severe vibrations, add up to 50% (according to severity of conditions) to the Equivalent Radial Load to obtain a Modified Equivalent Radial Load. Consult DODGE Application Engineering for additional selection assistance.

Thrust load values shown in the table below are recommended as a guide for general applications that will give adequate  $L_{10}$  life. Spherical bearings require a radial load at least equal to the thrust load for proper operation. If the thrust load exceeds this limit, consult Application Engineering. Where substantial radial load is also present, it is advisable to calculate actual  $L_{10}$  life to assure that it meets the requirements. The effectiveness of the shaft attachment to carry thrust load depends on proper tightening of the bearing to the shaft. Therefore, it is advisable to use auxiliary thrust carrying devices such as shaft shoulder, snap ring or a thrust collar to locate the bearing under thrust loads heavier than shown below, or where extreme reliability is desired.

RPM	20- 200	201-2000	Over 2000
RECOMMENDED THRUST LOAD	C/20	C/40	C/60

The shaft tolerances recommended below are adequate for normal radial and radial/thrust load applications. Since the allowable load, especially at a low speed, is very large, the shaft should be checked to assure adequate shaft strength.

The magnitude and direction of both the thrust and radial load must be taken into account when selecting a housing. **When pillow blocks are utilized, heavy loads should be directed through the base. Where cap loads are involved, see Table 3 on page B4-15 for maximum values.** Where a load pulls the housing away from the mounting base, both the hold-down bolts and housing must be of adequate strength. Auxiliary load carrying devices such as shear bars are advisable for side or end loading of pillow blocks and radial loads for flange units.

#### SHAFT TOLERANCES

	Tolerance, Inches
Up To 1-1/2"	+.000 -.002"
1-9/16 to 2-1/2"	+.000 -.003"
2-5/8 to 4"	+.000 -.004"
4-3/16 to 6"	+.000 -.005"
6-7/16" and above	+.000 -.006"

#### BEARING SUPPORTING RADIAL LOADS ONLY

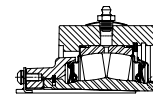
1. Define  $L_{10}$  Life Hours desired.
2. Establish bearing radial load,  $F_R$  ( $F_R = P$  for Pure Radial Load Conditions). The DODGE program BEST\* can be used to find application loads.
3. Establish RPM.

Using the easy selection Table 2 on page B4-13 for IMPERIAL, find, under the RPM column, the equivalent radial load that equals or is slightly higher than the application radial load for the desired life. The shaft size on the far left will be the minimum shaft size that you can use for your application.

If the desired life is different than the values shown on the chart, use alternate Method A shown below.

- Example:
1.  $L_{10}$  Life = 30,000 Hours
  2. Radial load = 4000 lbs.
  3. RPM = 1,000

At the intersection of the 1,000 RPM column and the 30,000 hours  $L_{10}$  life row, the equivalent radial load of 4116 lbs. exceeds the 4000 lbs. radial load for shaft size 2-3/8" to 2-1/2". A bearing with bore ranging from 2-3/8" to 2-1/2", or larger, may be used for this application.



## IMPERIAL-HD Spherical Roller Bearing

### ALTERNATE METHOD A - SELECTING A BEARING FOR AN L<sub>10</sub> LIFE VALUE NOT SHOWN IN THE EASY SELECTION CHART.

The L<sub>10</sub> life equation can be rearranged so that the bearing dynamic capacity C is identified in terms of L<sub>10</sub>, RPM and P

$$C = \left( \frac{L_{10} \times \text{RPM}}{16667} \right)^{0.3} \times P$$

(P = FR for Pure Radial Load Conditions)

Since the L<sub>10</sub>, RPM and P are known, solve for C. Select from the dynamic capacity column on Table 1 the C value equal to or greater than the C value just calculated. The bore size on the far left represents the proper bore size selection. Check that the application RPM does not exceed the MAX. RPM from Table 1. When selecting an L<sub>10</sub> life of less than 30,000 hours, particular attention must be paid to shaft deflection and proper lubricant selection.

### SELECTING BEARINGS SUPPORTING COMBINATION RADIAL AND THRUST LOADS

When a bearing supports both a radial load and a thrust load, the loading on the two rows is shared unequally depending on the ratio of thrust to radial load. The use of the X (radial factor) and Y (thrust factor) from Table 1 converts the applied thrust load and radial load to an equivalent radial load having the same effect on the life of the bearing as a radial load of this magnitude.

The equivalent radial load  $P = XFR + YFA$

Where:

- P = Equivalent radial load, lbs.
- FR = Radial load, lbs. (see Table 1 for allowable slip fit maximum load)
- FA = Thrust (axial) load, lbs.
- e = Thrust load to radial load factor (Table 1)
- X = Radial load factor (Table 1)
- Y = Thrust load factor (Table 1)

To find X and Y, calculate  $F_A/F_R$  and compare to e for the selected bore size. Determine X and Y from Table 1 on page B4-12 depending on whether  $F_A/F_R$  is equal to or less than e, or  $F_A/F_R$  is greater than e. Substitute all known values into the equivalent radial load equation. P (equivalent radial load) can be used in the life formula

to determine L<sub>10</sub>, or it can be compared to the allowable equivalent radial load ratings for the speed and hours life desired in the easy selection.

### SELECTING BEARINGS SUPPORTING ONLY THRUST LOADS

Spherical Roller Bearings generally are not recommended for pure thrust load applications. However, they will perform satisfactorily under very light pure thrust loads. Consult DODGE Application Engineering (864-284-5700).

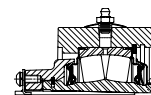
### SELECTING LUBRICATION

IMPERIAL spherical roller bearings are lubricated at the factory with Exxon Ronex MP grease for sizes up to 5". Above 5", Mobilux EP #2 is used. Exxon Ronex MP is a superior industrial grease with a lithium complex thickener and highly refined base oil. Mobilux EP#2 is a superior industrial grease using a lithium hydroxystearate thickener and highly refined base oil. This grease will adequately handle low and medium speeds with low and medium loads at normal temperatures on Table 3 on page B4-16. For very low and high speeds, for heavy loads, and for low and high temperatures, special greases may be used. Contact DODGE Application Engineering (864-284-5700), DODGE engineers will recommend bearings and lubricants for the above unusual conditions. DODGE also has the expertise to custom design and build special bearings for your needs. The only maintenance requirement for DODGE Spherical roller bearings is periodic relubrication at regular intervals as outlined in the appropriate instruction manuals.

### MISALIGNMENT CONSIDERATIONS

In nearly all applications good design practice requires two bearings supporting the shaft. In cases where three or more bearings are installed, unless precautions are taken to line the bearings up, both vertically and horizontally, it is possible to induce heavy loads. In the case of two bearings, alignment is not as critical, especially with DODGE Unitized Spherical Roller Bearings. IMPERIAL bearings are designed to allow a maximum of  $\pm 1^\circ$  of static and dynamic misalignment. To ensure good alignment, mounting surfaces must be checked for flatness and must lie in the same plane. When tightening base bolts, each bolt should be alternately tightened in incremental torque values until full torque is achieved to prevent the angular shifting of the pillow block that occurs when one bolt is tightened to its full torque. Shimming may be required to minimize misalignment.

- ★ The DODGE Bearing Evaluation and Selection Technique (BEST) is a menu driven computer program that calculates bearing loads, fatigue life and operating temperature for a two bearing shaft system based on user supplied input parameters. This interactive program is available at [www.ptwizard.com](http://www.ptwizard.com) under the Product Selection area.



## SELECTION

### IMPERIAL-HD Spherical Roller Bearing

To find X and Y, calculate  $F_A/F_R$  and compare to e for the selected bore size. Determine X and Y from Table 1 on page B4-12 depending on whether  $F_A/F_R$  is equal to or less than e, or  $F_A/F_R$  is greater than e. Substitute all known values into the equivalent radial load equation. P (equivalent radial load) can be used in the life formula to determine  $L_{10}$ , or it can be compared to the allowable equivalent radial load ratings for the speed and hours life desired in the easy selection on page B4-13.

#### SELECTING BEARINGS SUPPORTING ONLY THRUST LOADS

Spherical Roller Bearings generally are not recommended for pure thrust load applications. However, they will perform satisfactorily under very light pure thrust loads. Consult DODGE Application Engineering (864-284-5700).

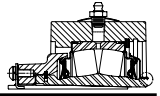
#### SELECTING LUBRICATION

IMPERIAL spherical roller bearings are lubricated at the factory with Exxon Ronex MP grease for sizes up to 5". Above 5", Mobilux EP #2 is used. Exxon Ronex MP is a superior industrial grease with a lithium complex thickener and highly refined base oil. Mobilux EP#2 is a superior industrial grease using a lithium hydroxystearate thickener and highly refined base oil. This grease will adequately handle low and medium speeds with low and medium loads at normal temperatures on Table 3 on page B4-16. For very low and high speeds, for heavy loads, and for low and high temperatures, special greases may be used. Contact DODGE Application Engineering (864-284-5700), DODGE engineers will recommend bearings and lubricants for the above unusual conditions. DODGE also has the expertise to custom design and build special bearings for your needs. The only maintenance requirement for DODGE Spherical roller bearings is periodic relubrication at regular intervals as outlined in the appropriate instruction manuals.

#### MISALIGNMENT CONSIDERATIONS

In nearly all applications good design practice requires two bearings supporting the shaft. In cases where three or more bearings are installed, unless precautions are taken to line the bearings up, both vertically and horizontally, it is possible to induce heavy loads. In the case of two bearings, alignment is not as critical, especially with DODGE Unitized Spherical Roller Bearings. IMPERIAL bearings are designed to allow a maximum of  $\pm 1^\circ$  of static and dynamic misalignment. To ensure good alignment, mounting surfaces must be checked for flatness and must lie in the same plane. When tightening base bolts, each bolt should be alternately tightened in incremental torque values until full torque is achieved to prevent the angular shifting of the pillow block that occurs when one bolt is tightened to its full torque. Shimming may be required to minimize misalignment.

# SELECTION



## IMPERIAL-HD Spherical Roller Bearing

Table 1: IMPERIAL Spherical Roller Bearing

Shaft Size Inches	Basic Bearing Description	e	FA/FR<e		FA/FR>e		Adapter Maximum Thrust Load Pounds	Dynamic Capacity (C) Pounds	Static Capacity (Co) Pounds	Maximum Speed*		Maximum ISAF Expansion Capability Inches
			X	Y	X	Y				Labyrinth RPM	TRIDENT RPM	
1-1/8 1-3/16 1-1/4 1-3/8 1-7/16 1-1/2	22208	0.28	1.0	2.4	0.67	3.6	620	20,800	21,000	6,000	3,975	7/32
1-1/2 ** 1-5/8 1-11/16 1-3/4	22209	0.26	1.0	2.6	0.67	3.9	700	20,800	22,000	5,600	3,725	7/32
1-3/4 ** 1-7/8 1-15/16 2	22210	0.24	1.0	2.8	0.67	4.2	775	22,000	24,000	5,300	3,520	17/64
2-3/16 2-1/4	22211	0.23	1.0	2.9	0.67	4.3	930	27,000	29,000	4,500	3,000	7/32
2-1/4 ** 2-3/8 2-7/16 2-1/2	22213	0.24	1.0	2.8	0.67	4.2	1,360	39,000	47,500	3,800	2,400	5/16
2-11/16 2-3/4 2-15/16 3	22215	0.22	1.0	3.1	0.67	4.6	1,570	41,500	53,000	3,400	2,250	15/64
3-3/16 3-1/4 3-7/16 3-1/2	22218	0.23	1.0	2.9	0.67	4.3	2,430	65,500	81,500	2,600	1,825	3/8
3-11/16 3-15/16 4	22220	0.24	1.0	2.8	0.67	4.2	3,100	83,000	104,000	2,200	1,530	3/8
4-7/16 4-1/2	22222	0.25	1.0	2.7	0.67	4.0	3,930	104,000	132,000	2,000	1,325	3/8
4-15/16 5	22226	0.26	1.0	2.6	0.67	3.9	5,610	146,000	196,000	1,800	1,175	3/8

\* Maximum grease speed is dependent on load and ambient conditions, consult Dodge Engineering

\*\* IMPERIAL - Type E Dimensional Housing

ULTRA KLEEN

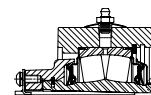
E-Z KLEEN

EXTREME DUTY

IMPERIAL-HD

S2000-HD

PART NUMBER INDEX



# SELECTION

## IMPERIAL-HD Spherical Roller Bearing

Table 2: Allowable Equivalent Radial Load Rating (lbs) at Various Revolutions per Minute

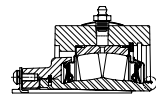
Size Inches	L <sub>10</sub> Life Hours	Allowable Equivalent Radial Load Rating (lbs.) at Various Revolutions per Minute										
		50	100	150	250	500	750	1,000	1,300	1,500	1,700	1,800
1-1/8 to 1-1/2	10,000	7498	6090	5393	4626	3758	3327	3052	2821	2703	2603	2559
	30,000	5393	4380	3878	3327	2703	2393	2195	2029	1944	1872	1840
	40,000	4947	4018	3558	3052	2479	2195	2014	1861	1783	1717	1688
	60,000	4380	3558	3150	2703	2195	1944	1783	1648	1579	1521	1495
	100,000	3758	3052	2703	2319	1883	1668	1530	1414	1355	1305	1282
*1-1/2 to 1-3/4	10,000	7,498	6,090	5,393	4,626	3,758	3,327	3,052	2,821	2,703	2,603	2,559
	30,000	5,393	4,380	3,878	3,327	2,703	2,393	2,195	2,029	1,944	1,872	1,840
	40,000	4,947	4,018	3,558	3,052	2,479	2,195	2,014	1,861	1,783	1,717	1,688
	60,000	4,380	3,558	3,150	2,703	2,195	1,944	1,783	1,648	1,579	1,521	1,495
	100,000	3,758	3,052	2,703	2,319	1,883	1,668	1,530	1,414	1,355	1,305	1,282
*1-3/4 to 2	10,000	7,930	6,441	5,704	4,893	3,975	3,519	3,228	2,984	2,859	2,753	2,706
	30,000	5,704	4,633	4,102	3,519	2,859	2,531	2,322	2,146	2,056	1,980	1,947
	40,000	5,232	4,250	3,763	3,228	2,622	2,322	2,130	1,969	1,886	1,816	1,786
	60,000	4,633	3,763	3,332	2,859	2,322	2,056	1,886	1,743	1,670	1,608	1,581
	100,000	3,975	3,228	2,859	2,452	1,992	1,764	1,618	1,496	1,433	1,380	1,356
2-3/16 to 2-1/4	10,000	9,733	7,905	7,000	6,005	4,878	4,319	3,962	3,662	3,508	3,379	3,322
	30,000	7,000	5,686	5,035	4,319	3,508	3,106	2,850	2,634	2,523	2,430	2,389
	40,000	6,421	5,216	4,618	3,962	3,218	2,850	2,614	2,416	2,315	2,229	2,191
	60,000	5,686	4,618	4,089	3,508	2,850	2,523	2,315	2,139	2,050	1,974	1,940
	100,000	4,878	3,962	3,508	3,010	2,445	2,165	1,986	1,835	1,758	1,694	1,665
*2-1/4 to 2-1/2	10,000	14058	11419	10111	8674	7046	6239	5723	5290	5068	4881	4798
	30,000	10111	8213	7272	6239	5068	4487	4116	3805	3645	3510	3451
	40,000	9275	7534	6671	5723	4649	4116	3776	3490	3343	3220	3165
	60,000	8213	6671	5907	5068	4116	3645	3343	3090	2960	2851	2803
	100,000	7046	5723	5068	4348	3531	3127	2868	2651	2540	2446	2405
2-11/16 to 3	10,000	14,959	12,151	10,759	9,230	7,497	6,639	6,090	5,629	5,392	5,194	5,105
	30,000	10,759	8,739	7,738	6,639	5,392	4,775	4,380	4,048	3,878	3,735	3,672
	40,000	9,870	8,017	7,098	6,090	4,946	4,380	4,018	3,714	3,558	3,427	3,368
	60,000	8,739	7,098	6,285	5,392	4,380	3,878	3,558	3,288	3,150	3,034	2,982
	100,000	7,497	6,090	5,392	4,626	3,758	3,327	3,052	2,821	2,703	2,603	2,559
3-3/16 to 3-1/2	10,000	23,611	19,178	16,981	14,569	11,833	10,478	9,612	8,884	8,511	8,197	5,795
	30,000	16,981	13,793	12,213	10,478	8,511	7,536	6,913	6,390	6,121	5,896	5,795
	40,000	15,577	12,653	11,203	9,612	7,807	6,913	6,341	5,861	5,615	5,408	5,316
	60,000	13,793	11,203	9,920	8,511	6,913	6,121	5,615	5,190	4,972	4,789	4,707
	100,000	11,833	9,612	8,511	7,302	5,931	5,251	4,817	4,453	4,266	4,108	4,038

Only the labyrinth seal (L seal) may be used to the right of the heavy line.

For applications in the dark shaded area, the maximum load for the specific speed is shown. The load does not correspond to the L<sub>10</sub> shown at the left.

Applications in the light shaded area may require a high temperature lubrication, consult Dodge Engineering at (864) 284-5700

\* IMPERIAL - Type E Dimensional Housing



## IMPERIAL-HD Spherical Roller Bearing

Table 2: Allowable Equivalent Radial Load Rating (lbs) at Various Revolutions per Minute

Size Inches	L <sub>10</sub> Life Hours	Allowable Equivalent Radial Load Rating (lbs.) at Various Revolutions per Minute										
		2,000	2,200	2,600	2,750	3,000	3,400	3,800	4,500	5,300	5600	6000
1-1/8 to 1-1/2	10,000	2479	2409	2292	2253	2195	2114	2045	1944	1851	1820	1783
	30,000	1783	1733	1648	1621	1579	1521	1471	1398	1331	1309	1282
	40,000	1636	1590	1512	1487	1448	1395	1349	1282	1221	1201	1176
	60,000	1448	1408	1339	1316	1282	1235	1195	1136	1081	1064	1042
*1-1/2 1-5/8 1-11/16 1-3/4	10,000	2,479	2,409	2,292	2,253	2,195	1,521	2,045	1,944	1,331	1,820	
	30,000	1,783	1,733	1,648	1,621	1,579	1,521	1,471	1,398	1,331	1,309	
	40,000	1,636	1,590	1,512	1,487	1,448	1,395	1,349	1,282	1,221	1,201	
	60,000	1,448	1,407	1,339	1,316	1,282	1,235	1,195	1,136	1,081	1,063	
*1-3/4 1-7/8 1-15/16 2	10,000	2,622	2,548	2,424	2,383	2,322	1,608	2,163	2,056	1,957		
	30,000	1,886	1,833	1,743	1,714	1,670	1,608	1,556	1,479	1,408		
	40,000	1,730	1,681	1,599	1,572	1,532	1,475	1,427	1,356	1,291		
	60,000	1,532	1,489	1,416	1,392	1,356	1,306	1,264	1,201	1,144		
2-3/16 to 2-1/4	10,000	3,218	3,127	2,975	2,925	2,050	2,745	2,655	2,523			
	30,000	2,315	2,249	2,139	2,104	2,050	1,974	1,909	1,815			
	40,000	2,123	2,063	1,963	1,930	1,880	1,811	1,751	1,665			
	60,000	1,880	1,827	1,738	1,709	1,665	1,603	1,551	1,474			
*2-1/4 2-3/8 2-7/16 2-1/2	10,000	4649	4518	4297	4225	4116	3964	3834				
	30,000	3343	3249	3090	3039	2960	2851	2758				
	40,000	3067	2980	2835	2787	2716	2616	2530				
	60,000	2716	2639	2510	2468	2405	2316	2240				
2-11/16 to 3	10,000	4,946	3,457	4,572	4,496	4,380	4,219					
	30,000	3,558	3,457	3,288	3,233	3,150	3,034					
	40,000	3,263	3,171	3,016	2,966	2,890	2,783					
	60,000	2,890	2,808	2,671	2,626	2,559	2,464					
3-3/16 to 3-1/2	10,000	7,807	7,587	7,216								
	30,000	5,615	5,457	5,190								
	40,000	5,151	5,006	4,761								
	60,000	4,561	4,432	4,216								
100,000	3,913	3,803	3,617									

Only the labyrinth seal (L seal) may be used to the right of the heavy line.

For applications in the dark shaded area, the maximum load for the specific speed is shown. The load does not correspond to the L<sub>10</sub> shown at the left.

Applications in the light shaded area may require a high temperature lubrication, consult Dodge Engineering at (864) 284-5700

\* IMPERIAL - Type E Dimensional Housing

ULTRA KLEEN

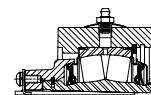
E-Z KLEEN

EXTREME DUTY

IMPERIAL-HD

S2000-HD

PART NUMBER INDEX



# SELECTION

## IMPERIAL-HD Spherical Roller Bearing

**Table 2: Allowable Equivalent Radial Load Rating (lbs) at Various Revolutions per Minute (continued)**

Size Inches	L <sub>10</sub> Life Hours	Allowable Equivalent Radial Load Rating (lbs.) at Various Revolutions per Minute										
		50	100	150	250	500	750	1,000	1,300	1,500	1,700	1,800
3-11/16 to 4	10,000	29,919	24,302	21,518	18,461	14,995	13,278	12,180	11,258	7,757	10,387	10,211
	30,000	21,518	17,478	15,476	13,278	10,785	9,549	8,760	8,097	7,757	7,471	7,344
	40,000	19,739	16,033	14,197	12,180	9,893	8,760	8,036	7,427	7,115	6,853	6,737
	60,000	17,478	14,197	12,571	10,785	8,760	7,757	7,115	6,577	6,300	6,068	5,965
	100,000	14,995	12,180	10,785	9,252	7,515	6,655	6,104	5,642	5,405	5,206	5,117
4-7/16 to 4-1/2	10,000	37,489	30,450	26,963	23,132	18,789	16,637	15,261	10,145	13,513	13,015	12,794
	30,000	26,963	21,901	19,392	16,637	13,513	11,966	10,976	10,145	9,719	9,361	9,202
	40,000	24,733	20,090	17,789	15,261	12,396	10,976	10,069	9,307	8,915	8,587	8,441
	60,000	21,901	17,789	15,751	13,513	10,976	9,719	8,915	8,241	7,894	7,603	7,474
	100,000	18,789	15,261	13,513	11,593	9,417	8,338	7,649	7,070	6,773	6,523	6,412
4-15/16 to 5	10,000	52,628	42,747	37,851	32,473	26,377	23,356	15,409	19,803	18,971	18,272	17,961
	30,000	37,851	30,745	27,224	23,356	18,971	16,798	15,409	14,243	13,644	13,141	12,918
	40,000	34,722	28,203	24,973	21,424	17,402	15,409	14,135	13,065	12,516	12,055	11,850
	60,000	30,745	24,973	22,112	18,971	15,409	13,644	12,516	11,569	11,082	10,674	10,493
	100,000	26,377	21,424	18,971	16,275	13,220	11,706	10,738	9,925	9,508	9,157	9,002

Size Inches	L <sub>10</sub> Life Hours	Allowable Equivalent Radial Load Rating (lbs.) at Various Revolutions per Minute										
		2,000	2,200	2,600	2,750	3,000	3,400	3,800	4,500	5,300	5,600	6,000
3-11/16 to 4	10,000	9,893	9,614									
	30,000	7,115	6,915									
	40,000	6,527	6,343									
	60,000	5,779	5,616									
	100,000	4,958	4,818									
4-7/16 to 4-1/2	10,000	12,396										
	30,000	8,915										
	40,000	8,178										
	60,000	7,242										
	100,000	6,213										
4-15/16 to 5	10,000											
	30,000											
	40,000											
	60,000											
	100,000											

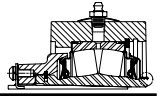
Only the labyrinth seal (L seal) may be used to the right of the heavy line.

For applications in the dark shaded area, the maximum load for the specific speed is shown. The load does not correspond to the L<sub>10</sub> shown at the left. Applications in the light shaded area may require a high temperature lubrication, consult Dodge Engineering at (864) 284-5700.

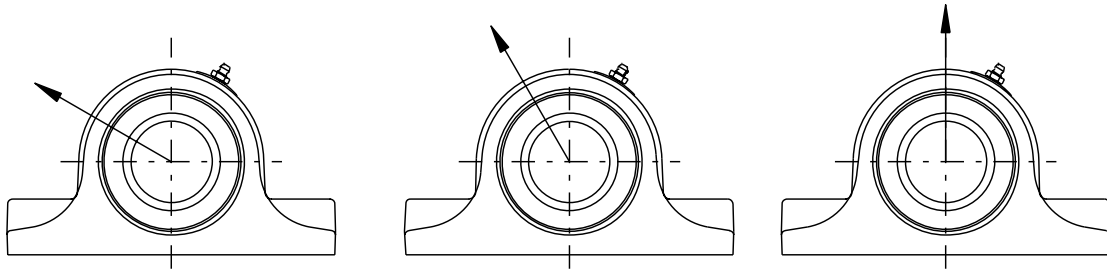
### Definition Of Operating Conditions For Unitized Spherical Roller Bearings

LOW SPEED	UP TO 20% OF MAX. RPM (TABLE 1)
MEDIUM SPEED	OVER 20% TO 80% OF MAX. RPM
HIGH SPEED	MOVER 80% OF MAX. RPM
LIGHT LOAD	UP TO 8% OF C (TABLE 1)
NORMAL LOAD	OVER 8% TO 18% OF C
HEAVY LOAD	OVER 18% OF C
	C = DYNAMIC CAPACITY
LOW TEMPERATURE	-20 to -100°F
MEDIUM TEMPERATURE	OVER 20°F TO 200°F
HIGH TEMPERATURE	OVER 200°F TO 250°F





# IMPERIAL-HD Spherical Roller Bearings



**Table 3: Steel Housed S2000 & Imperial - Housing Ratings\***

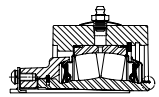
Shaft Sizes	Basic Bearing Description	Maximum Recommended Housing Loads, lb	
		P2B	P4B
1-1/8 1-3/16 1-1/4 1-3/8 1-7/16 1-1/2	22208	24400	
1-1/2** 1-5/8 1-11/16 1-3/4	22209	26400	
1-3/4** 1-15/16 2	22210	30200	
2-3/16 2-1/4	22211	35400	
2-1/4** 2-3/8 2-7/16 2-1/2	22213	51300	52800
2-11/16 2-3/4 2-15/16 3	22215	59700	60000
3-3/16 3-1/4 3-7/16 3-1/2	22218	90700	95500
3-11/16 3-15/16 4	22220		115000
4-7/16 4-1/2	22222		152100
4-15/16 5	22226		188200

\* It is important to note that the values listed above are housing fracture loads from various applied directions. These loads may exceed bearing, mounting bolt and/or shaft capacities.

Applications subject to heavy housing loads, particularly shock loads, must adhere to the following procedure:

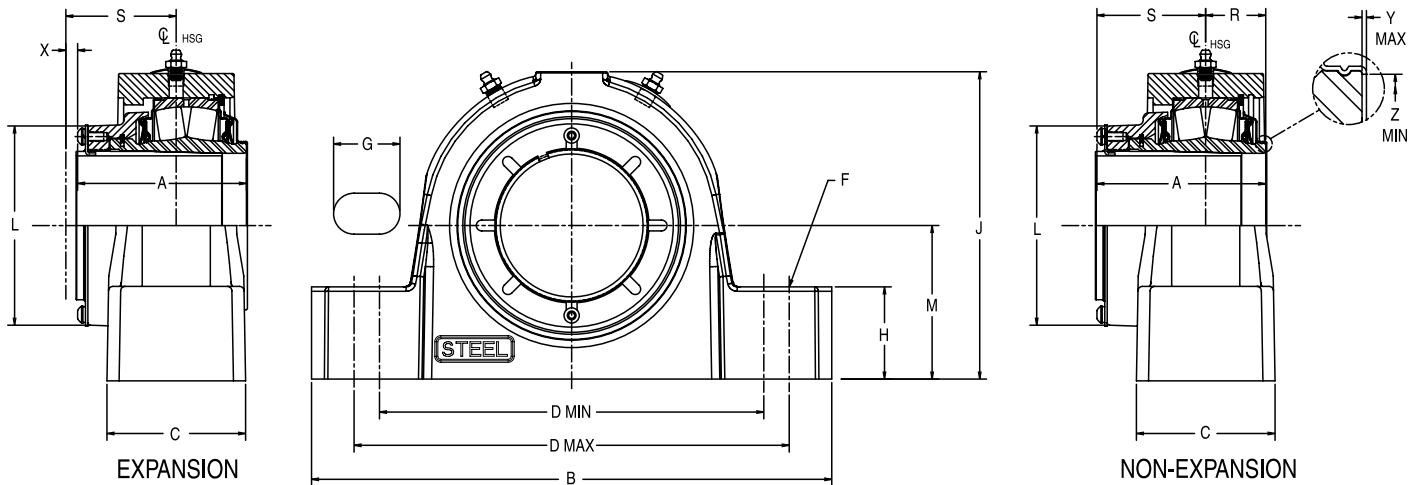
- (1) The pillow block base bolts must be of high strength (Grade 8) bolts and properly tightened to mounting structure.
- (2) Stop bars (shear strips) should be used against the plummer block where side loads are encountered.
- (3) In all cases where loads are heavy, the  $L_{10}$  life of the bearing should be checked for proper selection and life requirements.

\*\* Imperial - Type E Dimensional Housing



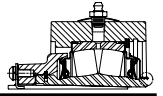
## DIMENSIONS

### Steel IMPERIAL-HD Pillow Block 2 Bolt

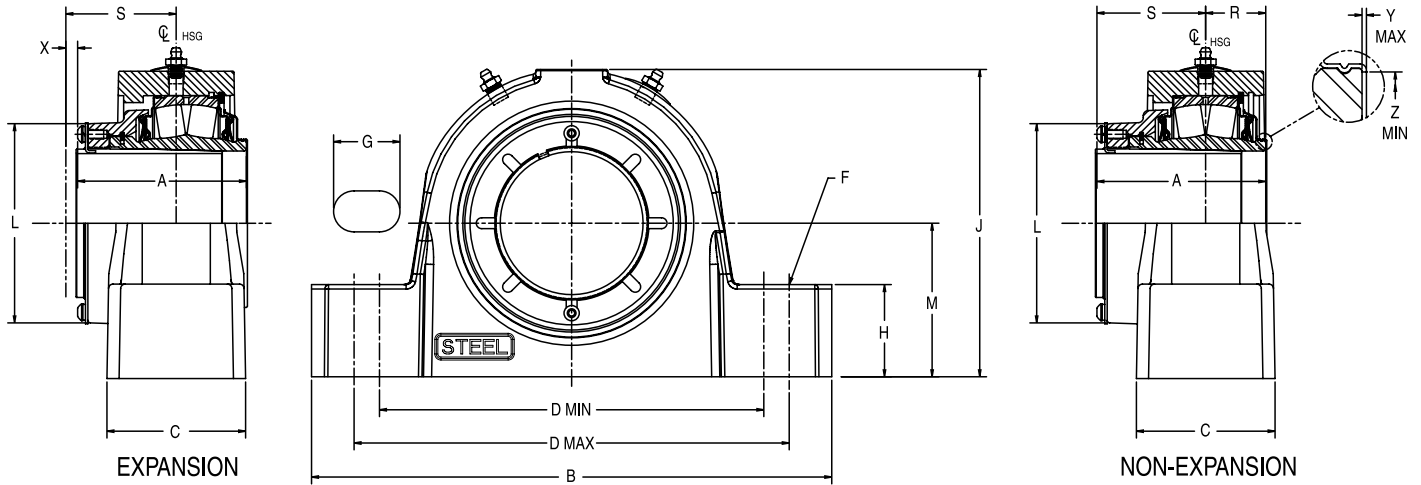


Shaft Size	Dodge Non-Expansion		Dodge Expansion	
	Part No.	Description	Part No.	Description
1-1/8	<b>071650</b>	SP2B-IP-102R	<b>071678</b>	SP2B-IP-102RE
1-3/16	<b>071651</b>	SP2B-IP-103R	<b>071679</b>	SP2B-IP-103RE
1-1/4	<b>071652</b>	SP2B-IP-104R	<b>071680</b>	SP2B-IP-104RE
1-3/8	<b>071653</b>	SP2B-IP-106R	<b>071681</b>	SP2B-IP-106RE
1-7/16	<b>071654</b>	SP2B-IP-107R	<b>071682</b>	SP2B-IP-107RE
1-1/2	<b>071655</b>	SP2B-IP-108R	<b>071683</b>	SP2B-IP-108RE
1-5/8	<b>071656</b>	SP2B-IP-110R	<b>071684</b>	SP2B-IP-110RE
1-11/16	<b>071657</b>	SP2B-IP-111R	<b>071685</b>	SP2B-IP-111RE
1-3/4	<b>071658</b>	SP2B-IP-112R	<b>071686</b>	SP2B-IP-112RE
1-7/8	<b>071659</b>	SP2B-IP-114R	<b>071687</b>	SP2B-IP-114RE
1-15/16	<b>071660</b>	SP2B-IP-115R	<b>071688</b>	SP2B-IP-115RE
2	<b>071661</b>	SP2B-IP-200R	<b>071689</b>	SP2B-IP-200RE
2-3/16	<b>071662</b>	SP2B-IP-203R	<b>071690</b>	SP2B-IP-203RE
2-1/4	<b>071663</b>	SP2B-IP-204R	<b>071691</b>	SP2B-IP-204RE
2-3/8	<b>071664</b>	SP2B-IP-206R	<b>071692</b>	SP2B-IP-206RE
2-7/16	<b>071665</b>	SP2B-IP-207R	<b>071693</b>	SP2B-IP-207RE
2-1/2	<b>071666</b>	SP2B-IP-208R	<b>071694</b>	SP2B-IP-208RE
2-11/16	<b>071667</b>	SP2B-IP-211R	<b>071695</b>	SP2B-IP-211RE
2-3/4	<b>071668</b>	SP2B-IP-212R	<b>071696</b>	SP2B-IP-212RE
2-15/16	<b>071669</b>	SP2B-IP-215R	<b>071697</b>	SP2B-IP-215RE
3	<b>071670</b>	SP2B-IP-300R	<b>071698</b>	SP2B-IP-300RE
3-3/16	<b>071671</b>	SP2B-IP-303R	<b>071699</b>	SP2B-IP-303RE
3-1/4	<b>071672</b>	SP2B-IP-304R	<b>071700</b>	SP2B-IP-304RE
3-7/16	<b>071673</b>	SP2B-IP-307R	<b>071701</b>	SP2B-IP-307RE
3-1/2	<b>071674</b>	SP2B-IP-308R	<b>071702</b>	SP2B-IP-308RE
3-11/16	<b>071675</b>	SP2B-IP-311R	<b>071703</b>	SP2B-IP-311RE
3-15/16	<b>071676</b>	SP2B-IP-315R	<b>071704</b>	SP2B-IP-315RE
4	<b>071677</b>	SP2B-IP-400R	<b>071705</b>	SP2B-IP-400RE

# DIMENSIONS



## Steel IMPERIAL-HD Pillow Block 2 Bolt



Shaft Size	A	B	C	D		F Bolt Dia.	G	H	J	L	M	R	S	X Total Exp	Y	Z
				Min	Max											
1-1/8	2.63	6.88	2.25	4.69	6.00	1/2	1.28	1.13	3.88	2.72	1.875	0.86	1.77	3/16	0.020	1.80
1-3/16																
1-1/4																
1-3/8																
1-7/16																
1-1/2	2.81	7.13	2.37	5.25	5.75	1/2	0.88	1.25	4.27	3.00	2.125	0.92	1.89	1/4	0.020	2.08
1-5/8																
1-11/16																
1-3/4	2.86	8.38	2.44	5.93	6.36	5/8	0.97	1.31	4.56	3.28	2.25	0.90	1.96	1/4	0.020	2.30
1-7/8																
1-15/16																
2	3.03	8.88	2.50	6.50	7.06	5/8	1.04	1.50	5.00	3.50	2.50	0.99	2.04	1/4	0.025	2.59
2-3/16																
2-1/4																
2-3/8	3.42	9.25	2.90	6.81	7.43	5/8	1.07	1.63	5.60	3.88	2.75	1.17	2.25	1/4	0.025	2.94
2-7/16																
2-1/2																
2-11/16	3.50	10.44	2.91	7.70	8.40	3/4	1.23	1.88	6.38	4.28	3.25	1.12	2.37	1/4	0.025	3.47
2-3/4																
2-15/16																
3	4.17	13.00	3.41	9.25	10.75	7/8	1.75	2.25	7.50	5.00	3.75	1.53	2.63	1/4	0.025	4.05
3-3/16																
3-1/4 3-7/16																
3-1/2	4.70	14.25	3.89	10.04	12.60	1	2.40	2.44	8.37	5.56	4.25	1.70	3.00	5/16	0.025	4.50
3-11/16																
3-15/16																
4																

"A" & "R" Dimensions Do Not Include "Y" Dimension

ULTRA KLEEN

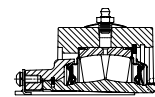
E-Z KLEEN

EXTREME DUTY

IMPERIAL-HD

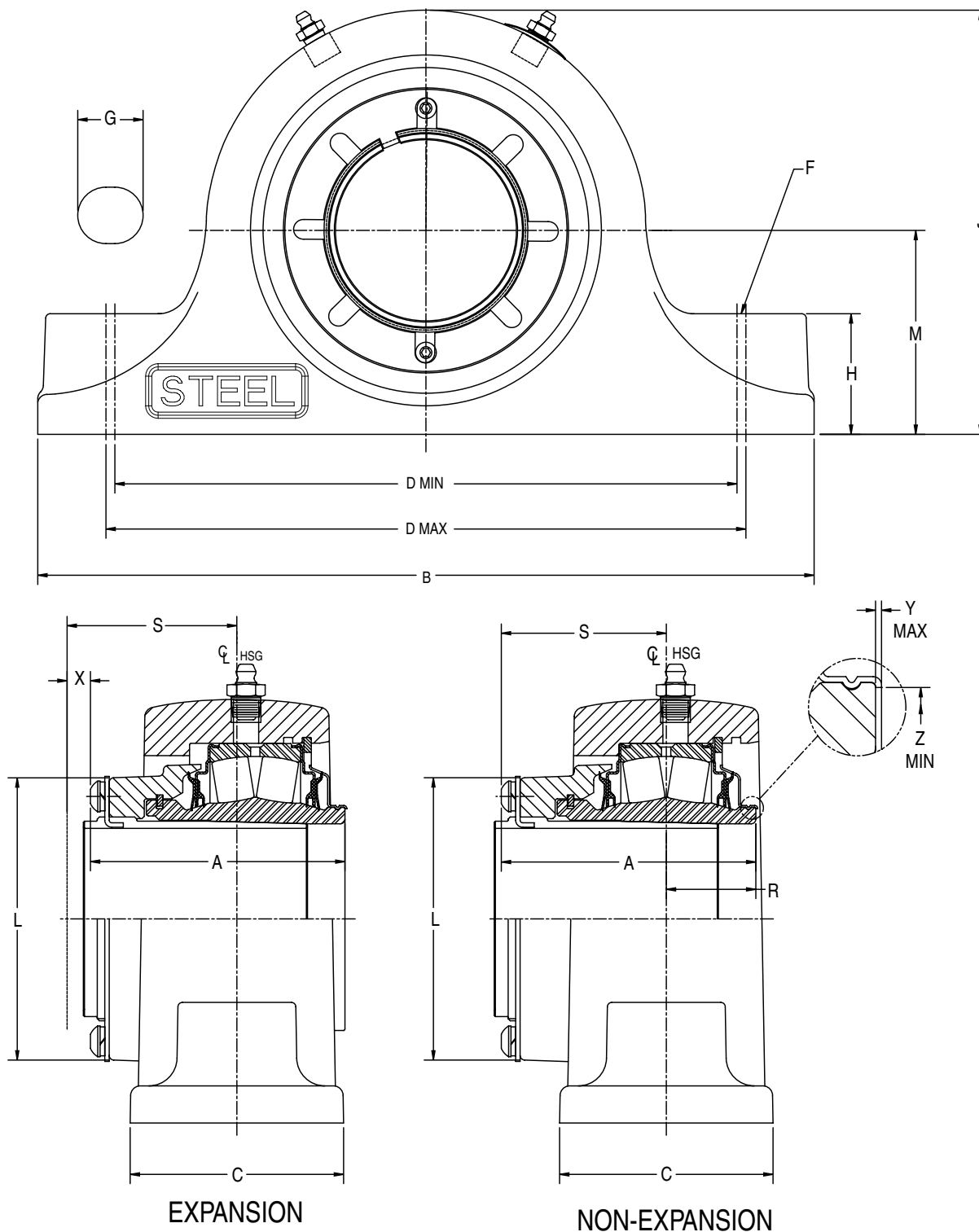
S2000-HD

PART NUMBER INDEX



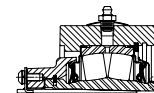
**DIMENSIONS**

**Steel IMPERIAL-HD Pillow Block 2 Bolt with Type E Dimensions**



ULTRA KLEEN  
E-Z KLEEN  
EXTREME DUTY  
IMPERIAL-HD  
S2000-HD  
PART NUMBER INDEX

# DIMENSIONS



## Steel IMPERIAL-HD Pillow Block 2 Bolt with Type E Dimensions

Shaft Size	Dodge Non-Expansion		Dodge Expansion	
	Part No.	Description	Part No.	Description
1-3/8	<b>071864</b>	SEP2B-IP-106R	<b>071885</b>	SEP2B-IP-106RE
1-7/16	<b>071865</b>	SEP2B-IP-107R	<b>071886</b>	SEP2B-IP-107RE
1-1/2	<b>071866</b>	SEP2B-IP-108R	<b>071887</b>	SEP2B-IP-108RE
1-5/8	<b>071867</b>	SEP2B-IP-110R	<b>071888</b>	SEP2B-IP-110RE
1-11/16	<b>071868</b>	SEP2B-IP-111R	<b>071889</b>	SEP2B-IP-111RE
1-3/4	<b>071869</b>	SEP2B-IP-112R	<b>071890</b>	SEP2B-IP-112RE
1-7/8	<b>071870</b>	SEP2B-IP-114R	<b>071891</b>	SEP2B-IP-114RE
1-15/16	<b>071871</b>	SEP2B-IP-115R	<b>071892</b>	SEP2B-IP-115RE
2	<b>071872</b>	SEP2B-IP-200R	<b>071893</b>	SEP2B-IP-200RE
2-3/16	<b>071873</b>	SEP2B-IP-203R	<b>071894</b>	SEP2B-IP-203RE
2-1/4	<b>071874</b>	SEP2B-IP-204R	<b>071895</b>	SEP2B-IP-204RE
2-7/16	<b>071875</b>	SEP2B-IP-207R	<b>071896</b>	SEP2B-IP-207RE
2-1/2	<b>071876</b>	SEP2B-IP-208R	<b>071897</b>	SEP2B-IP-208RE
2-11/16	<b>071877</b>	SEP2B-IP-211R	<b>071898</b>	SEP2B-IP-211RE
2-3/4	<b>071878</b>	SEP2B-IP-212R	<b>071899</b>	SEP2B-IP-212RE
2-15/16	<b>071879</b>	SEP2B-IP-215R	<b>071900</b>	SEP2B-IP-215RE
3	<b>071880</b>	SEP2B-IP-300R	<b>071901</b>	SEP2B-IP-300RE
3-3/16	<b>071881</b>	SEP2B-IP-303R	<b>071902</b>	SEP2B-IP-303RE
3-1/4	<b>071882</b>	SEP2B-IP-304R	<b>071903</b>	SEP2B-IP-304RE
3-7/16	<b>071883</b>	SEP2B-IP-307R	<b>071904</b>	SEP2B-IP-307RE
3-1/2	<b>071884</b>	SEP2B-IP-308R	<b>071905</b>	SEP2B-IP-308RE

Shaft Size	A	B	C	D		F Bolt Dia	G	H	J	L	M	R	S	X Total Exp	Y	Z
				Min	Max											
1-3/8	2.63	6.88	2.25	4.69	5.88	1/2	1.22	1.13	3.84	2.72	1.875	1.04	1.59	0.16	0.02	1.80
1-7/16																
1-1/2	2.81	7.88	2.38	5.7	6.5	1/2	1.02	1.25	4.26	3	2.125	0.96	1.83	0.19	0.02	2.08
1-5/8																
1-11/16																
1-3/4	2.86	8.88	2.44	6	7.12	5/8	1.32	1.31	4.47	3.28	2.250	1.10	1.76	0.22	0.020	2.30
1-7/8																
1-15/16																
2																
2-3/16	3.03	9.63	2.50	6.50	7.88	5/8	1.45	1.50	.00	3.50	2.500	1.06	1.97	0.25	0.025	2.60
2-1/4																
2-7/16	3.42	10.25	2.9	6.88	8.62	5/8	1.63	1.63	5.71	3.88	2.75	1.2	2.22	0.25	0.025	2.95
2-1/2																
2-11/16																
2-3/4	3.50	11.63	2.91	7.88	9.62	3/4	1.75	1.88	6.32	4.28	3.125	1.35	2.15	0.25	0.025	3.47
2-15/16																
3																
3-3/16	4.17	13.5	3.41	9.38	11.25	7/8	1.94	2.25	7.69	5	3.75	1.51	2.66	0.25	0.025	4.05
3-1/4																
3-7/16																
3-1/2																

"A" & "R" Dimensions Do Not Include "Y" Dimension

ULTRA KLEEN

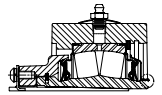
E-Z KLEEN

EXTREME DUTY

IMPERIAL-HD

S2000-HD

PART NUMBER INDEX



**DIMENSIONS**

**Steel IMPERIAL-HD Pillow Block 4 Bolt**

ULTRA KLEEN

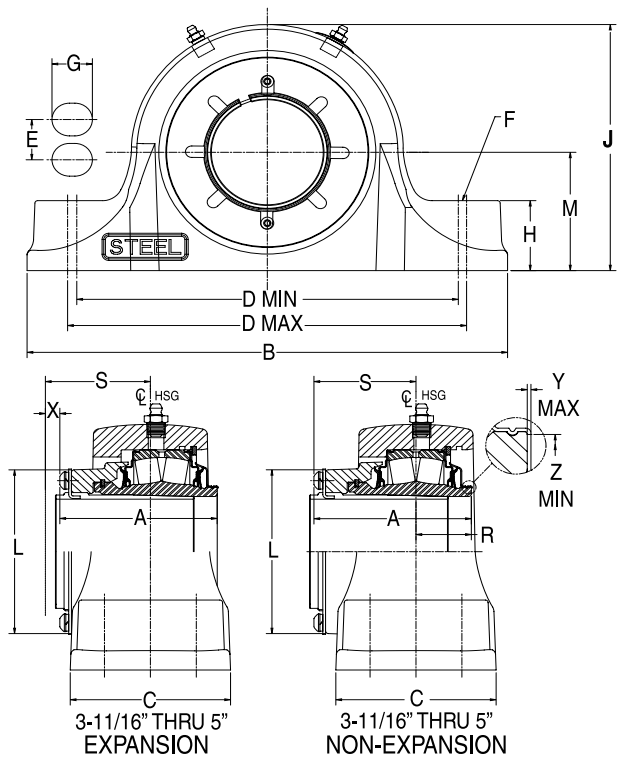
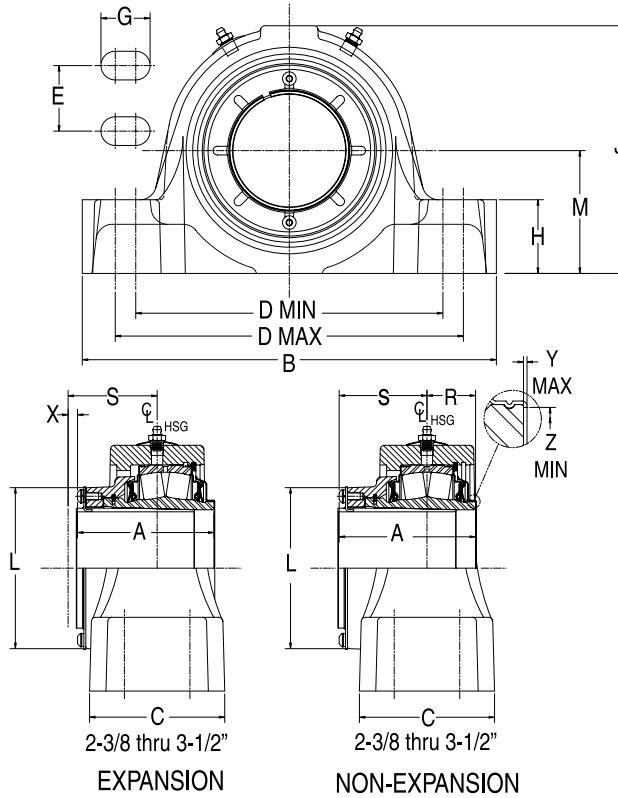
E-Z KLEEN

EXTREME DUTY

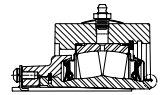
IMPERIAL-HD

S2000-HD

PART NUMBER INDEX



# DIMENSIONS



ULTRA KLEEN

E-Z KLEEN

EXTREME DUTY

IMPERIAL-HD

S2000-HD

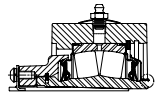
PART NUMBER INDEX

## Steel IMPERIAL-HD Pillow Block 4 Bolt

Shaft Size	Dodge Non-Expansion		Dodge Expansion	
	Dodge Part No.	Description	Dodge Part No.	Description
2-3/8	<b>071706</b>	SP4B-IP-206R	<b>071724</b>	SP4B-IP-206RE
2-7/16	<b>071707</b>	SP4B-IP-207R	<b>071725</b>	SP4B-IP-207RE
2-1/2	<b>071708</b>	SP4B-IP-208R	<b>071726</b>	SP4B-IP-208RE
2-11/16	<b>071709</b>	SP4B-IP-211R	<b>071727</b>	SP4B-IP-211RE
2-3/4	<b>071710</b>	SP4B-IP-212R	<b>071728</b>	SP4B-IP-212RE
2-15/16	<b>071711</b>	SP4B-IP-215R	<b>071729</b>	SP4B-IP-215RE
3	<b>071712</b>	SP4B-IP-300R	<b>071730</b>	SP4B-IP-300RE
3-3/16	<b>071713</b>	SP4B-IP-303R	<b>071731</b>	SP4B-IP-303RE
3-1/4	<b>071714</b>	SP4B-IP-304R	<b>071732</b>	SP4B-IP-304RE
3-7/16	<b>071715</b>	SP4B-IP-307R	<b>071733</b>	SP4B-IP-307RE
3-1/2	<b>071716</b>	SP4B-IP-308R	<b>071734</b>	SP4B-IP-308RE
3-11/16	<b>071717</b>	SP4B-IP-311R	<b>071735</b>	SP4B-IP-311RE
3-15/16	<b>071718</b>	SP4B-IP-315R	<b>071736</b>	SP4B-IP-315RE
4	<b>071719</b>	SP4B-IP-400R	<b>071737</b>	SP4B-IP-400RE
4-7/16	<b>071720</b>	SP4B-IP-407R	<b>071738</b>	SP4B-IP-407RE
4-1/2	<b>071721</b>	SP4B-IP-408R	<b>071739</b>	SP4B-IP-408RE
4-15/16	<b>071722</b>	SP4B-IP-415R	<b>071740</b>	SP4B-IP-415RE
5	<b>071723</b>	SP4B-IP-500R	<b>071741</b>	SP4B-IP-500RE

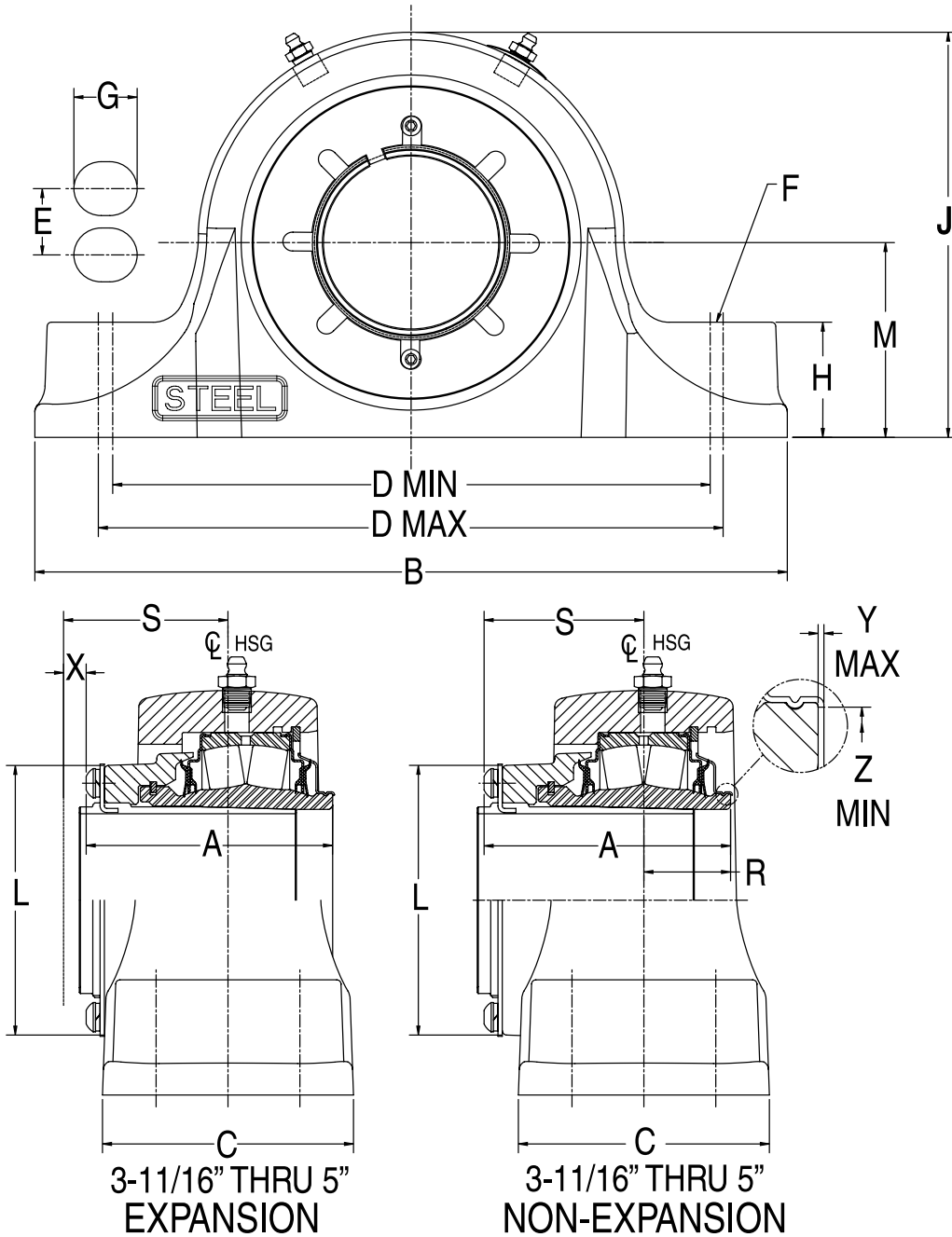
Shaft Size	A	B	C	D		E	F Bolt Dia	G	H	J	L	M	R	S	X Total Exp	Y	Z
				Min	Max												
2-3/8	3.42	9.25	3.00	6.88	7.63	1.75	1/2	1.06	1.63	5.61	3.88	2.75	1.17	2.25	1/4	0.025	2.94
2-7/16																	
2-1/2																	
2-11/16	3.50	10.44	3.13	7.60	9.10	1.88	5/8	1.43	1.88	6.44	4.28	3.25	1.12	2.37	1/4	0.025	3.47
2-3/4																	
2-15/16																	
3																	
3-3/16	4.17	12.30	3.75	8.88	10.88	2.00	3/4	1.88	2.25	7.56	5.00	3.75	1.53	2.63	1/4	0.025	4.05
3-1/4																	
3-7/16																	
3-1/2																	
3-11/16	4.70	14.88	4.31	10.88	13.38	2.25	3/4	2.13	2.44	8.70	5.56	4.25	1.70	3.00	5/16	0.025	4.50
3-15/16																	
4																	
4-7/16	5.23	16.13	4.75	11.88	14.50	2.50	3/4	2.19	2.75	9.67	6.44	4.75	1.53	3.70	3/8	0.036	5.00
4-1/2																	
4-15/16	5.98	17.50	5.03	15.13	15.88	2.75	7/8	1.38	3.00	11.12	7.63	5.50	2.22	3.77	3/8	0.036	5.84
5																	

"A" & "R" Dimensions Do Not Include "Y" Dimension



**DIMENSIONS**

**Steel IMPERIAL-HD Pillow Block 4 Bolt with Type E Dimensions**



ULTRA KLEEN

E-Z KLEEN

EXTREME DUTY

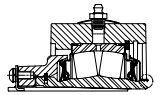
IMPERIAL-HD

S2000-HD

PART NUMBER INDEX



# DIMENSIONS



## Steel IMPERIAL-HD Pillow Block 4 Bolt with Type E Dimensions

Shaft Size	Dodge Non-Expansion		Dodge Expansion	
	Dodge Part No.	Description	Dodge Part No.	Description
2-1/4	<b>071906</b>	SEP4B-IP-204R	<b>071923</b>	SEP4B-IP-204RE
2-7/16	<b>071907</b>	SEP4B-IP-207R	<b>071924</b>	SEP4B-IP-207RE
2-1/2	<b>071908</b>	SEP4B-IP-208R	<b>071925</b>	SEP4B-IP-208RE
2-11/16	<b>071909</b>	SEP4B-IP-211R	<b>071926</b>	SEP4B-IP-211RE
2-3/4	<b>071910</b>	SEP4B-IP-212R	<b>071927</b>	SEP4B-IP-212RE
2-15/16	<b>071911</b>	SEP4B-IP-215R	<b>071928</b>	SEP4B-IP-215RE
3	<b>071912</b>	SEP4B-IP-300R	<b>071929</b>	SEP4B-IP-300RE
3-3/16	<b>071913</b>	SEP4B-IP-303R	<b>071930</b>	SEP4B-IP-303RE
3-1/4	<b>071914</b>	SEP4B-IP-304R	<b>071931</b>	SEP4B-IP-304RE
3-7/16	<b>071915</b>	SEP4B-IP-307R	<b>071932</b>	SEP4B-IP-307RE
3-1/2	<b>071916</b>	SEP4B-IP-308R	<b>071933</b>	SEP4B-IP-308RE
3-15/16	<b>071917</b>	SEP4B-IP-315R	<b>071934</b>	SEP4B-IP-315RE
4	<b>071918</b>	SEP4B-IP-400R	<b>071935</b>	SEP4B-IP-400RE
4-7/16	<b>071919</b>	SEP4B-IP-407R	<b>071936</b>	SEP4B-IP-407RE
4-1/2	<b>071920</b>	CSEP4B-IP-408R	<b>071937</b>	SEP4B-IP-408RE
4-15/16	<b>071921</b>	SEP4B-IP-415R	<b>071938</b>	SEP4B-IP-415RE
5	<b>071922</b>	SEP4B-IP-500R	<b>071939</b>	SEP4B-IP-500RE

Shaft Size	A	B	C	D		E	F Bolt Dia.	G	H	J	L	M	R	S	X Total Exp	Y	Z
				Min	Max												
2-1/4 2-7/16 2-1/2	3.42	10.25	3.25	7.13	8.75	1.88	5/8	1.57	1.63	5.71	3.88	2.750	1.21	2.21	0.25	0.025	2.94
2-11/16 2-3/4 2-15/16 3	3.50	10.83	3.38	8.00	9.60	2.12	5/8	1.56	1.88	6.32	4.28	3.125	1.35	2.15	0.25	0.025	3.47
3-3/16 3-1/4 3-7/16 3-1/2	4.17	13.63	3.75	9.25	11.25	2.38	3/4	1.88	2.25	7.69	5.00	3.750	1.54	2.63	0.25	0.025	4.05
3-15/16 4	4.70	14.88	4.31	10.88	13.38	2.25	3/4	2.13	2.44	8.70	5.56	4.250	1.70	3.00	0.31	0.025	4.50
4-7/16 4-1/2	5.23	16.13	4.75	11.88	14.50	2.50	3/4	2.19	2.75	9.67	6.44	4.750	1.53	3.70	0.38	0.036	5.00
4-15/16 5	5.98	17.50	5.04	15.13	15.88	2.88	7/8	1.38	3.00	11.16	7.63	5.500	1.93	4.05	0.38	0.036	5.84

"A" & "R" Dimensions Do Not Include "Y" Dimension

ULTRA KLEEN

E-Z KLEEN

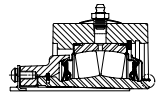
EXTREME DUTY

IMPERIAL-HD

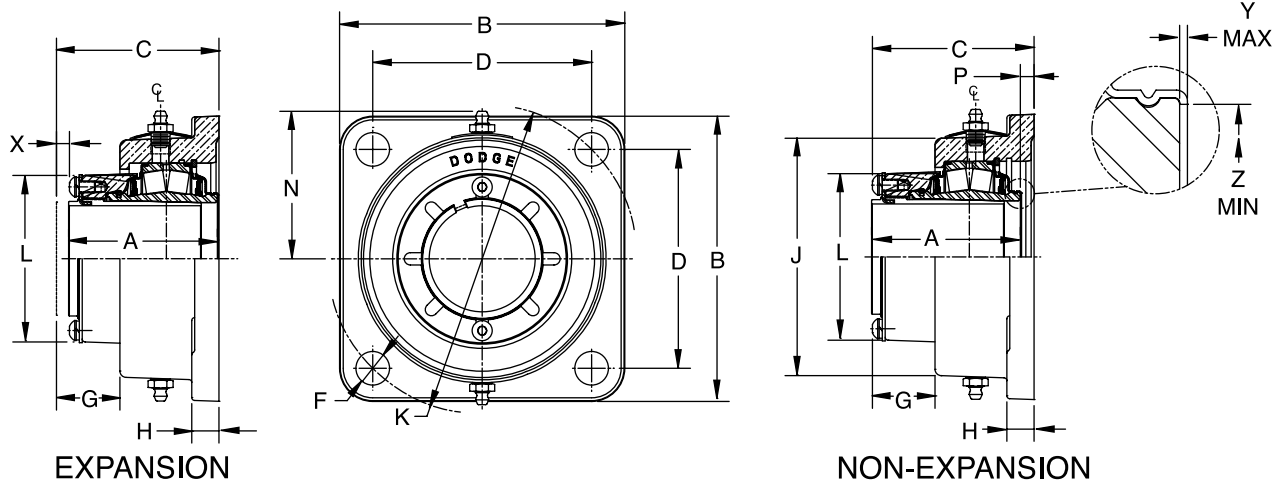
S2000-HD

PART NUMBER INDEX

# DIMENSIONS



## Steel IMPERIAL-HD Flange - 4 Bolt



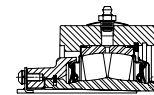
Shaft Size	Dodge Non-Expansion		Dodge Expansion	
	Dodge Part No.	Description	Dodge Part No.	Description
1-1/8	<b>072170</b>	SF4S-IP-102R	<b>072198</b>	SF4S-IP-102RE
1-3/16	<b>072171</b>	SF4S-IP-103R	<b>072199</b>	SF4S-IP-103RE
1-1/4	<b>072172</b>	SF4S-IP-104R	<b>072200</b>	SF4S-IP-104RE
1-3/8	<b>072173</b>	SF4S-IP-106R	<b>072201</b>	SF4S-IP-106RE
1-7/16	<b>072174</b>	SF4S-IP-107R	<b>072202</b>	SF4S-IP-107RE
1-1/2	<b>072175</b>	SF4S-IP-108R	<b>072203</b>	SF4S-IP-108RE
1-5/8	<b>072176</b>	SF4S-IP-110R	<b>072204</b>	SF4S-IP-110RE
1-11/16	<b>072177</b>	SF4S-IP-111R	<b>072205</b>	SF4S-IP-111RE
1-3/4	<b>072178</b>	SF4S-IP-112R	<b>072206</b>	SF4S-IP-112RE
1-7/8	<b>072179</b>	SF4S-IP-114R	<b>072207</b>	SF4S-IP-114RE
1-15/16	<b>072180</b>	SF4S-IP-115R	<b>072208</b>	SF4S-IP-115RE
2	<b>072181</b>	SF4S-IP-200R	<b>072209</b>	SF4S-IP-200RE
2-3/16	<b>072182</b>	SF4S-IP-203R	<b>072210</b>	SF4S-IP-203RE
2-1/4	<b>072183</b>	SF4S-IP-204R	<b>072211</b>	SF4S-IP-204RE

Shaft Size	A	B	C	D	F Bolt Dia.	G	H	J	K	L	N	P	X Total Exp	Y	Z
1-1/8	2.63	4.62	2.87	3.54	1/2	0.84	0.88	3.70	5.00	2.72	2.25	.24	0.19	0.02	1.80
1-3/16															
1-1/4															
1-3/8															
1-7/16															
1-1/2	2.81	5.37	3.01	3.89	1/2	0.91	0.88	4.41	5.50	3.00	2.62	.20	0.22	0.02	2.08
1-5/8															
1-11/16															
1-3/4	2.86	5.18	3.15	4.07	1/2	0.91	0.91	4.66	5.75	3.28	2.75	.29	0.22	0.02	2.30
1-7/8															
1-15/16															
2	3.03	5.87	3.26	4.51	5/8	0.93	0.75	5.03	6.38	3.50	2.93	.23	0.25	0.02	2.60
2-3/16															
2-1/4															

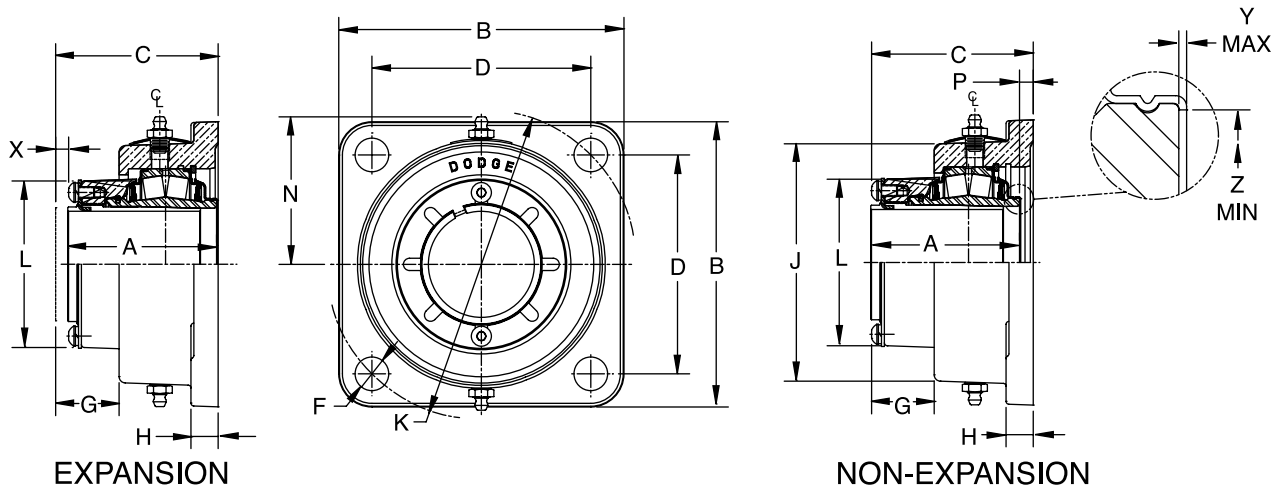
"P" Dimension Is For Non-Expansion Only

"A" & "P" Dimensions Do Not Include "Y" Dimension

# DIMENSIONS



## Steel IMPERIAL-HD Flange - 4 Bolt



Shaft Size	Dodge Non-Expansion		Dodge Expansion	
	Dodge Part No.	Description	Dodge Part No.	Description
2-3/8	<b>072184</b>	SF4S-IP-206R	<b>072212</b>	SF4S-IP-206RE
2-7/16	<b>072185</b>	SF4S-IP-207R	<b>072213</b>	SF4S-IP-207RE
2-1/2	<b>072186</b>	SF4S-IP-208R	<b>072214</b>	SF4S-IP-208RE
2-11/16	<b>072187</b>	SF4S-IP-211R	<b>072215</b>	SF4S-IP-211RE
2-3/4	<b>072188</b>	SF4S-IP-212R	<b>072216</b>	SF4S-IP-212RE
2-15/16	<b>072189</b>	SF4S-IP-215R	<b>072217</b>	SF4S-IP-215RE
3	<b>072190</b>	SF4S-IP-300R	<b>072218</b>	SF4S-IP-300RE
3-3/16	<b>072191</b>	SF4S-IP-303R	<b>072219</b>	SF4S-IP-303RE
3-1/4	<b>072192</b>	SF4S-IP-304R	<b>072220</b>	SF4S-IP-304RE
3-7/16	<b>072193</b>	SF4S-IP-307R	<b>072221</b>	SF4S-IP-307RE
3-1/2	<b>072194</b>	SF4S-IP-308R	<b>072222</b>	SF4S-IP-308RE
3-11/16	<b>072195</b>	SF4S-IP-311R	<b>072223</b>	SF4S-IP-311RE
3-15/16	<b>072196</b>	SF4S-IP-315R	<b>072224</b>	SF4S-IP-315RE
4	<b>072197</b>	SF4S-IP-400R	<b>072225</b>	SF4S-IP-400RE

Shaft Size	A	B	C	D	F Bolt Dia.	G	H	J	K	L	N	P	X Total Exp	Y	Z
2-3/8															
2-7/16	3.42	6.18	3.57	4.77	5/8	0.95	1.00	5.63	6.75	3.80	3.24	0.15	1/4	0.025	2.94
2-1/2															
2-11/16															
2-3/4	3.50	7.18	3.77	5.57	3/4	0.94	1.06	6.51	7.88	4.20	3.67	0.27	1/4	0.025	3.47
2-15/16															
3															
3-3/16															
3-1/4	4.17	8.37	4.27	6.72	3/4	0.94	1.28	7.49	9.50	5.00	4.16	0.10	1/4	0.025	4.50
3-7/16															
3-1/2															
3-11/16															
3-15/16	4.70	9.49	5.07	7.60	1	1.06	1.50	8.22	10.75	5.46	4.55	0.37	5/16	0.025	4.50
4															

'P' Dimension Is For Non-Expansion Only  
A' And 'P' Dimensions Do Not Include 'Y' Dimension

ULTRA KLEEN

E-Z KLEEN

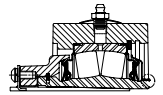
EXTREME DUTY

IMPERIAL-HD

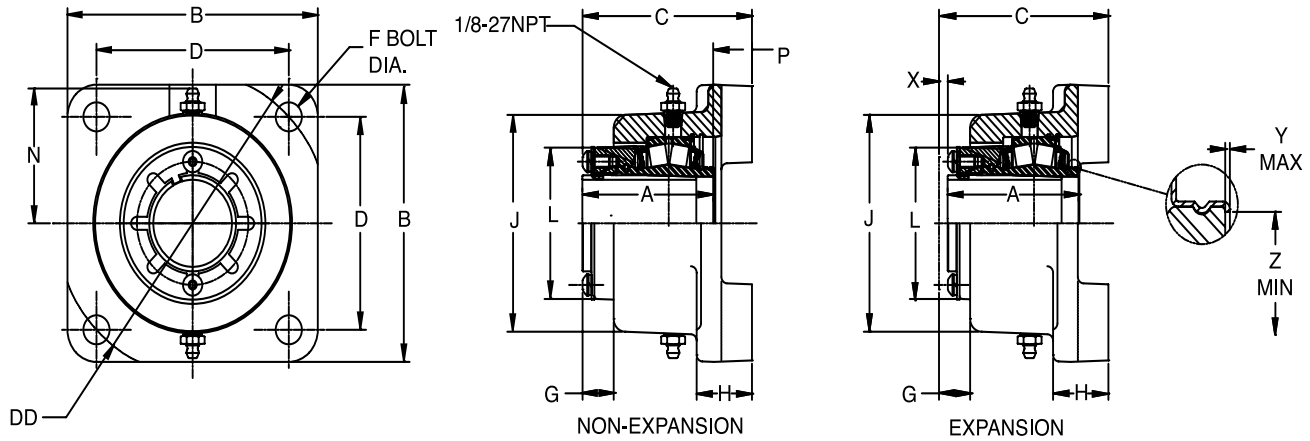
S2000-HD

PART NUMBER INDEX

# DIMENSIONS

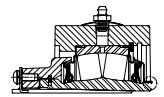


## Steel IMPERIAL-HD Flange 4 Bolt With Type E Dimensions



Shaft Size	Dodge Non-Expansion		Dodge Expansion	
	Dodge Part No.	Description	Dodge Part No.	Description
1-3/8	<b>072226</b>	SEF4B-IP-106R	<b>072251</b>	SEF4B-IP-106RE
1-7/16	<b>072227</b>	SEF4B-IP-107R	<b>072252</b>	SEF4B-IP-107RE
1-1/2	<b>072228</b>	SEF4B-IP-108R	<b>072253</b>	SEF4B-IP-108RE
1-5/8	<b>072229</b>	SEF4B-IP-110R	<b>072254</b>	SEF4B-IP-110RE
1-11/16	<b>072230</b>	SEF4B-IP-111R	<b>072255</b>	SEF4B-IP-111RE
1-3/4	<b>072231</b>	SEF4B-IP-112R	<b>072256</b>	SEF4B-IP-112RE
1-7/8	<b>072232</b>	SEF4B-IP-114R	<b>072257</b>	SEF4B-IP-114RE
1-15/16	<b>072233</b>	SEF4B-IP-115R	<b>072258</b>	SEF4B-IP-115RE
2	<b>072234</b>	SEF4B-IP-200R	<b>072259</b>	SEF4B-IP-200RE
2-3/16	<b>072235</b>	SEF4B-IP-203R	<b>072260</b>	SEF4B-IP-203RE
2-7/16	<b>072237</b>	SEF4B-IP-207R	<b>072262</b>	SEF4B-IP-207RE
2-1/2	<b>072238</b>	SEF4B-IP-208R	<b>072263</b>	SEF4B-IP-208RE
2-11/16	<b>072239</b>	SEF4B-IP-211R	<b>072264</b>	SEF4B-IP-211RE
2-3/4	<b>072240</b>	SEF4B-IP-212R	<b>072265</b>	SEF4B-IP-212RE
2-15/16	<b>072241</b>	SEF4B-IP-215R	<b>072266</b>	SEF4B-IP-215RE
3	<b>072242</b>	SEF4B-IP-300R	<b>072267</b>	SEF4B-IP-300RE
3-3/16	<b>072243</b>	SEF4B-IP-303R	<b>072268</b>	SEF4B-IP-303RE
3-1/4	<b>072244</b>	SEF4B-IP-304R	<b>072269</b>	SEF4B-IP-304RE
3-7/16	<b>072245</b>	SEF4B-IP-307R	<b>072270</b>	SEF4B-IP-307RE
3-1/2	<b>072246</b>	SEF4B-IP-308R	<b>072271</b>	SEF4B-IP-308RE
3-15/16	<b>072247</b>	SEF4B-IP-315R	<b>072272</b>	SEF4B-IP-315RE
4	<b>072248</b>	SEF4B-IP-400R	<b>072273</b>	SEF4B-IP-400RE
4-7/16	<b>072249</b>	SEF4B-IP-407R	<b>072274</b>	SEF4B-IP-407RE
4-1/2	<b>072250</b>	SEF4B-IP-408R	<b>072275</b>	SEF4B-IP-408RE

# DIMENSIONS



## Steel IMPERIAL-HD Flange 4 Bolt With Type E Dimensions

ULTRA KLEEN

E-Z KLEEN

EXTREME DUTY

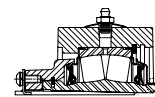
IMPERIAL-HD

S2000-HD

PART NUMBER INDEX

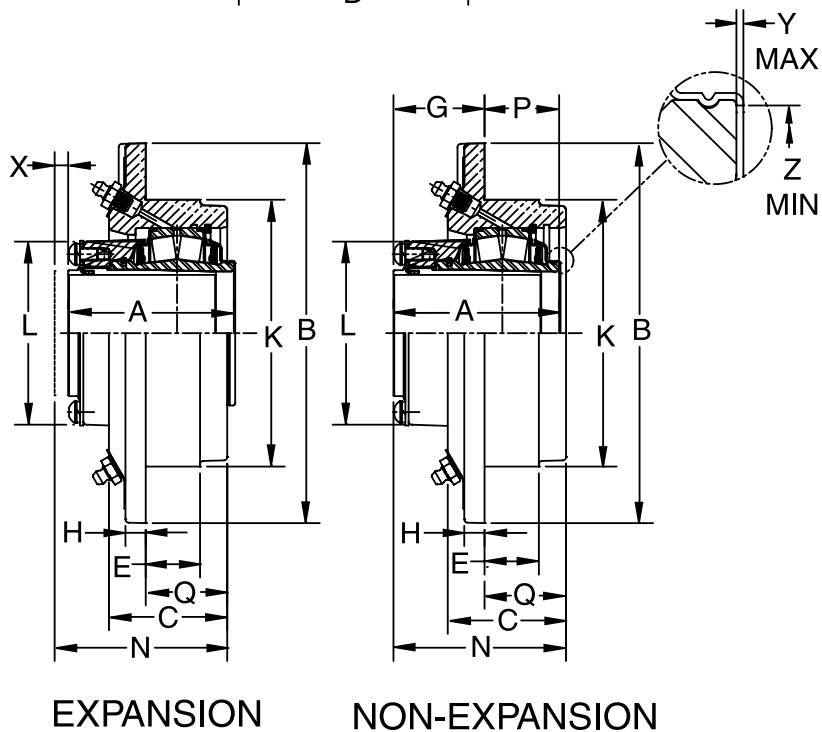
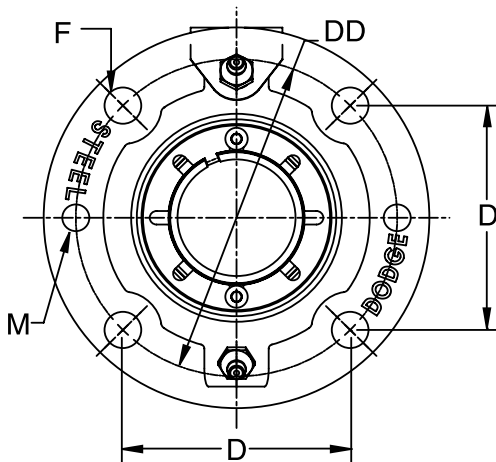
Shaft Size	A	B	C	D	DD	F Bolt Dia.	G	H	J	L	N	P	X Total Exp	Y	Z
1-3/8 1-7/16	2.63	4.620	2.87	3.50	4.95	1/2	0.84	0.88	3.7	2.72	2.25	0.24	3/16	0.020	1.80
1-1/2 1-5/8 1-11/16	2.81	5.37	3.01	4.13	5.84	1/2	0.91	0.88	4.41	3.00	2.62	0.20	7/32	0.020	2.08
1-3/4 1-7/8 1-15/16 2	2.86	5.49	3.15	4.38	6.19	1/2	0.91	0.88	4.75	3.28	2.75	0.29	7/32	0.020	2.30
2-3/16	3.03	6.18	3.26	4.87	6.89	5/8	0.93	1.00	5.03	3.50	2.93	0.23	1/4	0.020	2.60
2-7/16 2-1/2	3.42	6.62	3.57	5.37	7.60	5/8	0.95	1.00	5.63	3.80	3.23	0.15	1/4	0.025	2.95
2-11/16 2-3/4 2-15/16 3	3.50	7.43	3.77	6.00	8.49	3/4	0.94	1.06	6.66	4.20	3.75	0.27	1/4	0.025	3.47
3-3/16 3-1/4 3-7/16 3-1/2	4.17	8.62	4.27	7.01	9.91	3/4	0.96	1.31	7.49	5.00	4.17	0.10	1/4	0.025	4.05
3-15/16 4	4.70	9.96	5.04	7.75	10.96	7/8	1.06	1.50	8.22	5.44	4.68	0.34	5/16	0.025	4.50
4-7/16 4-1/2	5.23	10.87	5.59	8.75	12.38	7/8	1.38	1.50	8.76	6.35	4.80	0.36	3/8	0.036	5.00

"P" Dimension Is For Non-Expansion Only  
 "A" & "P" Dimensions Do Not Include "Y" Dimension



**DIMENSIONS**

**Steel IMPERIAL-HD Piloted Flange**



ULTRA KLEEN

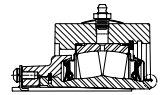
E-Z KLEEN

EXTREME DUTY

IMPERIAL-HD

S2000-HD

PART NUMBER INDEX



**Steel IMPERIAL-HD Piloted Flange**

Shaft Size	Dodge Non-Expansion		Dodge Expansion	
	Dodge Part No.	Description	Dodge Part No.	Description
1-1/8	<b>072276</b>	SFC-IP-102R	<b>072307</b>	SFC-IP-102RE
1-3/16	<b>072277</b>	SFC-IP-103R	<b>072308</b>	SFC-IP-103RE
1-1/4	<b>072278</b>	SFC-IP-104R	<b>072309</b>	SFC-IP-104RE
1-3/8	<b>072279</b>	SFC-IP-106R	<b>072310</b>	SFC-IP-106RE
1-7/16	<b>072280</b>	SFC-IP-107R	<b>072311</b>	SFC-IP-107RE
1-1/2	<b>072281</b>	SFC-IP-108R	<b>072312</b>	SFC-IP-108RE
1-5/8	<b>072282</b>	SFC-IP-110R	<b>072313</b>	SFC-IP-110RE
1-11/16	<b>072283</b>	SFC-IP-111R	<b>072314</b>	SFC-IP-111RE
1-3/4	<b>072284</b>	SFC-IP-112R	<b>072315</b>	SFC-IP-112RE
1-7/8	<b>072285</b>	SFC-IP-114R	<b>072316</b>	SFC-IP-114RE
1-15/16	<b>072286</b>	SFC-IP-115R	<b>072317</b>	SFC-IP-115RE
2	<b>072287</b>	SFC-IP-200R	<b>072318</b>	SFC-IP-200RE
2-3/16	<b>072288</b>	SFC-IP-203R	<b>072319</b>	SFC-IP-203RE
2-1/4	<b>072289</b>	SFC-IP-204R	<b>072320</b>	SFC-IP-204RE
2-7/16	<b>072290</b>	SFC-IP-207R	<b>072321</b>	SFC-IP-207RE
2-1/2	<b>072291</b>	SFC-IP-208R	<b>072322</b>	SFC-IP-208RE
2-11/16	<b>072292</b>	SFC-IP-211R	<b>072323</b>	SFC-IP-211RE
2-3/4	<b>072293</b>	SFC-IP-212R	<b>072324</b>	SFC-IP-212RE
2-15/16	<b>072294</b>	SFC-IP-215R	<b>072325</b>	SFC-IP-215RE
3	<b>072295</b>	SFC-IP-300R	<b>072326</b>	SFC-IP-300RE
3-3/16	<b>072296</b>	SFC-IP-303R	<b>072327</b>	SFC-IP-303RE
3-1/4	<b>072297</b>	SFC-IP-304R	<b>072328</b>	SFC-IP-304RE
3-7/16	<b>072298</b>	SFC-IP-307R	<b>072329</b>	SFC-IP-307RE
3-1/2	<b>072299</b>	SFC-IP-308R	<b>072330</b>	SFC-IP-308RE
3-11/16	<b>072300</b>	SFC-IP-311R	<b>072331</b>	SFC-IP-311RE
3-15/16	<b>072301</b>	SFC-IP-315R	<b>072332</b>	SFC-IP-315RE
4	<b>072302</b>	SFC-IP-400R	<b>072333</b>	SFC-IP-400RE
4-7/16	<b>072303</b>	SFC-IP-407R	<b>072334</b>	SFC-IP-407RE
4-1/2	<b>072304</b>	SFC-IP-408R	<b>072335</b>	SFC-IP-408RE
4-15/16	<b>072305</b>	SFC-IP-415R	<b>072336</b>	SFC-IP-415RE
5	<b>072306</b>	SFC-IP-500R	<b>072337</b>	SFC-IP-500RE

ULTRA KLEEN

E-Z KLEEN

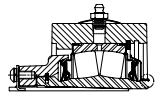
EXTREME DUTY

IMPERIAL-HD

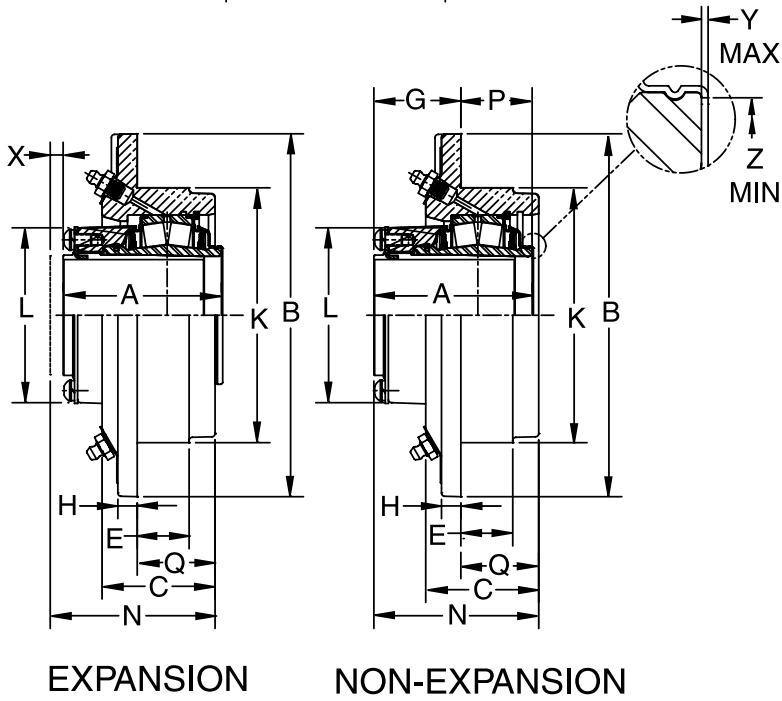
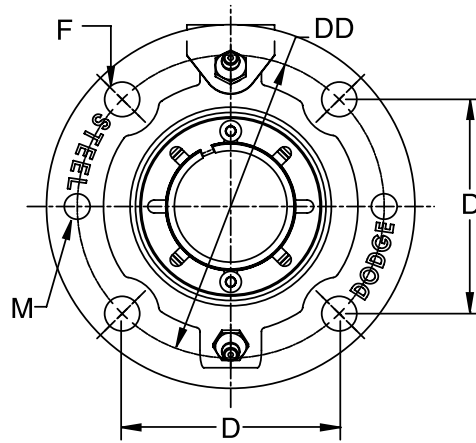
S2000-HD

PART NUMBER INDEX

# DIMENSIONS



## Steel IMPERIAL-HD Piloted Flange



ULTRA KLEEN

E-Z KLEEN

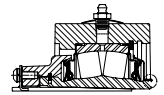
EXTREME DUTY

IMPERIAL-HD

S2000-HD

PART NUMBER INDEX





**Steel IMPERIAL-HD Piloted Flange**

Shaft Size	A	B	C	D	DD	E	F Bolt Dia	G	H	K *	L	M	N	P	Q	X Total Exp	Y	Z
1-1/8	2.63	5.25	1.94	3.09	4.38	-	7/16	1.61	.50	3.625	2.72	7/16-14	2.78	0.79	1.17	.19	0.020	1.80
1-3/16																		
1-1/4																		
1-3/8																		
1-7/16																		
1-1/2																		
1-5/8	2.81	6.13	2.19	3.63	5.13	1.33	7/16	1.44	.31	4.250	3.00	7/16-14	3.05	0.73	1.61	.25	0.020	2.08
1-11/16																		
1-3/4																		
1-7/8	2.86	6.38	2.15	3.80	5.38	1.03	7/16	1.63	.50	4.500	3.28	7/16-14	3.05	0.88	1.42	.25	0.020	2.30
1-15/16																		
2																		
2-3/16	3.03	7.13	2.42	4.25	6.00	1.02	1/2	1.80	.56	5.000	3.50	1/2-13	3.34	1	1.55	.25	0.025	2.59
2-1/4																		
2-3/8	3.43	7.63	2.66	4.60	6.50	1.25	1/2	1.86	0.50	5.500	3.80	1/2-13	3.61	1.04	1.75	0.25	0.025	2.94
2-7/16																		
2-1/2																		
2-11/16	3.50	8.75	2.83	5.30	7.50	1.44	5/8	1.89	0.63	6	4.20	5/8-11	3.77	1.15	1.88	0.25	0.025	3.47
2-3/4																		
2-15/16																		
3	4.17	10.25	3.31	6.10	8.63	1.34	3/4	2.46	0.88	7.375	5.00	3/4-10	4.34	1.30	1.88	0.25	0.025	4.05
3-3/16																		
3-1/4																		
3-7/16																		
3-1/2	4.70	10.88	3.73	6.63	9.375	2.25	3/4	2.58	1.00	8.125	5.44	3/4-10	4.83	2.14	2.25	0.31	0.025	4.50
3-11/16																		
3-15/16																		
4	5.23	13.50	4.31	5.86	11.75	1.90	3/4**	3.01	1.00	10.250	6.34	3/4-10	5.70	1.74	2.70	0.38	0.036	5.00
4-7/16																		
4-1/2	5.98	14.75	4.64	6.38	12.75	2.06	7/8**	2.98	1.03	11.000	7.54	7/8-9	6.08	2.88	3.10	0.38	0.036	5.84
4-15/16																		
5																		

"P" & "G" Are For Non-Expansion Only  
 "A" & "P" Dimensions Do Not Include "Y" Dimension  
 \* +0.000 / -0.002

ULTRA KLEEN

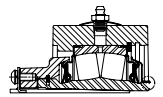
E-Z KLEEN

EXTREME DUTY

IMPERIAL-HD

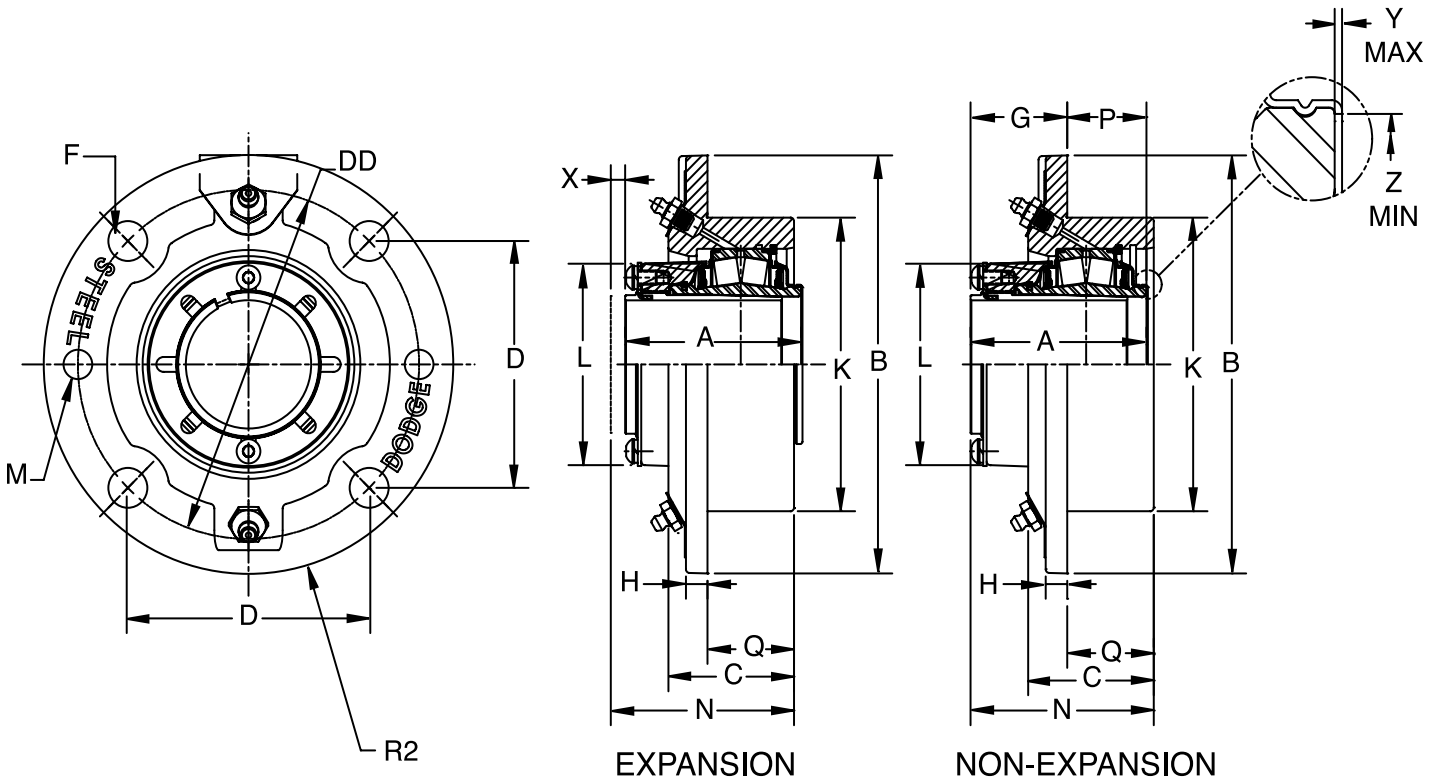
S2000-HD

PART NUMBER INDEX



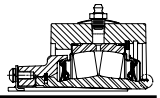
**DIMENSIONS**

**Steel IMPERIAL-HD Narrow Piloted Flange**



Shaft Size	Dodge Non-Expansion		Dodge Expansion	
	Dodge Part No.	Description	Dodge Part No.	Description
1-7/16	<b>072338</b>	SFCN-IP-107R	<b>072362</b>	SFCN-IP-107RE
1-1/2	<b>072339</b>	SFCN-IP-108R	<b>072363</b>	SFCN-IP-108RE
1-11/16	<b>072340</b>	SFCN-IP-111R	<b>072364</b>	SFCN-IP-111RE
1-3/4	<b>072341</b>	SFCN-IP-112R	<b>072365</b>	SFCN-IP-112RE
1-15/16	<b>072342</b>	SFCN-IP-115R	<b>072366</b>	SFCN-IP-115RE
2	<b>072343</b>	SFCN-IP-200R	<b>072367</b>	SFCN-IP-200RE
2-3/16	<b>072344</b>	SFCN-IP-203R	<b>072368</b>	SFCN-IP-203RE
2-1/4	<b>072345</b>	SFCN-IP-204R	<b>072369</b>	SFCN-IP-204RE
2-7/16	<b>072346</b>	SFCN-IP-207R	<b>072370</b>	SFCN-IP-207RE
2-1/2	<b>072347</b>	SFCN-IP-208R	<b>072371</b>	SFCN-IP-208RE
2-11/16	<b>072348</b>	SFCN-IP-211R	<b>072372</b>	SFCN-IP-211RE
2-3/4	<b>072349</b>	SFCN-IP-212R	<b>072373</b>	SFCN-IP-212RE
2-15/16	<b>072350</b>	SFCN-IP-215R	<b>072374</b>	SFCN-IP-215RE
3	<b>072351</b>	SFCN-IP-300R	<b>072375</b>	SFCN-IP-300RE
3-3/16	<b>072352</b>	SFCN-IP-303R	<b>072376</b>	SFCN-IP-303RE
3-1/4	<b>072353</b>	SFCN-IP-304R	<b>072377</b>	SFCN-IP-304RE
3-7/16	<b>072354</b>	SFCN-IP-307R	<b>072378</b>	SFCN-IP-307RE
3-1/2	<b>072355</b>	SFCN-IP-308R	<b>072379</b>	SFCN-IP-308RE
3-11/16	<b>072356</b>	SFCN-IP-311R	<b>072380</b>	SFCN-IP-311RE
3-15/16	<b>072358</b>	SFCN-IP-315R	<b>072382</b>	SFCN-IP-315RE
4	<b>072359</b>	SFCN-IP-400R	<b>072383</b>	SFCN-IP-400RE
4-7/16	<b>072360</b>	SFCN-IP-407R	<b>072384</b>	SFCN-IP-407RE
4-1/2	<b>072361</b>	SFCN-IP-408R	<b>072385</b>	SFCN-IP-408RE

# DIMENSIONS



## Steel IMPERIAL-HD Narrow Piloted Flange

Shaft Size	A	B	C	D	DD	F Bolt Dta.	G	H	K*	L	M	N	P	Q	X Total Exp	Y	Z
1-7/16 1 - 1/2	2.63	5.25	1.93	3.09	4.38	7/16	1.84	0.50	3.625	2.72	7/16 - 14	2.78	0.79	.94	3/16	0.020	1.80
1-11/16 1-3/4	2.81	6.13	1.95	3.62	5.13	7/16	2.09	0.50	4.250	3.00	7/16 - 14	2.97	0.73	.88	1/4	0.020	2.08
1-15/16 2	2.86	6.38	2.10	3.80	5.38	7/16	1.99	0.63	4.500	3.28	7/16 - 14	3.05	0.88	1.06	1/4	0.020	2.30
2-3/16 2-1/4	3.03	7.30	2.22	4.24	6.00	1/2	2.06	0.58	5.000	3.50	1/2 - 13	3.19	1.00	1.13	1/4	0.020	2.59
2-7/16 2-1/2	3.42	7.63	2.35	4.60	6.50	1/2	2.40	0.70	5.500	3.80	1/2 - 13	3.53	1.04	1.13	.25	0.025	2.94
2-11/16 2-3/4 2-15/16 3	3.50	8.75	2.47	5.30	7.50	5/8	2.35	0.81	6.375	4.20	5/8 - 11	3.60	1.15	1.25	.25	0.025	3.47
3-3/16 3-1/4 3-7/16 3-1/2	4.17	10.34	2.79	6.10	8.63	3/4	2.88	1.00	7.375	5.00	3/4 - 10	4.19	1.30	1.31	.25	0.025	4.05
3-11/16 3-15/16 4	4.70	10.88	3.61	6.63	9.38	3/4	2.82	1.01	8.125	5.45	3/4 - 10	4.95	1.88	2.13	.31	0.025	4.50
4-7/16 4-1/2	5.23	13.50	3.80	5.89	11.75	3/4 **	3.51	1.01	10.250	6.34	3/4 - 10	5.41	1.74	1.90	.38	0.036	5.00

'P' & 'G' ARE FOR NON-EXPANSION ONLY

'A' & 'P' DIMENSIONS DO NOT INCLUDE 'Y' DIMENSION

\* +0.000 / -0.002

\*\* 6 holes, equally spaced

ULTRA KLEEN

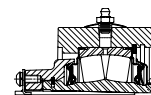
E-Z KLEEN

EXTREME DUTY

IMPERIAL-HD

S2000-HD

PART NUMBER INDEX



**DIMENSIONS**

**IMPERIAL Bearing Insert**  
1-1/8 THRU 2-1/4 INCH

ULTRA KLEEN

E-Z KLEEN

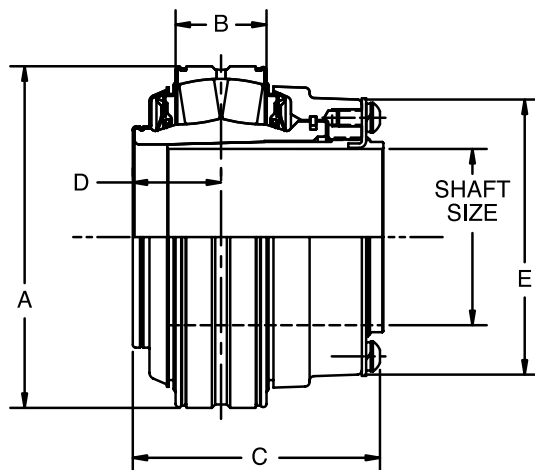
EXTREME DUTY

IMPERIAL-HD

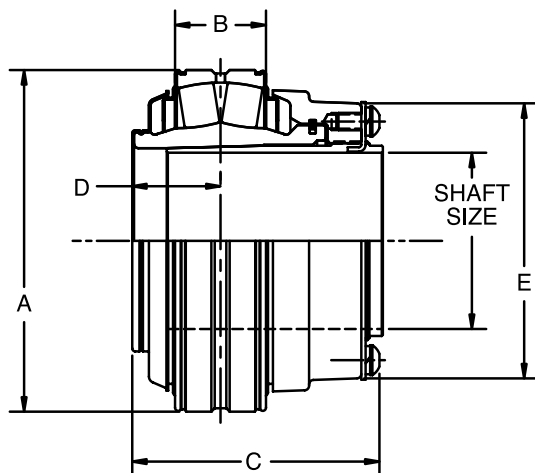
S2000-HD

PART NUMBER INDEX

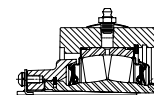
TRIDENT SEAL



LABYRINTH SEAL



# DIMENSIONS



ULTRA KLEEN

E-Z KLEEN

EXTREME DUTY

IMPERIAL-HD

S2000-HD

PART NUMBER INDEX

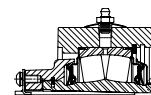
## IMPERIAL Bearing Insert 1-1/8 THRU 2-1/4 INCH

Bearing Series	Shaft Size Inch	TRIDENT Seal		Labyrinth Seal	
		Part Number	Part Name	Part Number	Part Name
22208	1-1/8	<b>070880</b>	INS-IP-102R	<b>070912</b>	INS-IP-102L
	1-3/16	<b>070881</b>	INS-IP-103R	<b>070913</b>	INS-IP-103L
	1-1/4	<b>070882</b>	INS-IP-104R	<b>070914</b>	INS-IP-104L
	1-3/8	<b>070883</b>	INS-IP-106R	<b>070915</b>	INS-IP-106L
	1-7/16	<b>070884</b>	INS-IP-107R	<b>070916</b>	INS-IP-107L
	1-1/2	<b>070885</b>	INS-IP-108R	<b>070917</b>	INS-IP-108L
22209	1-1/2 *	<b>071590</b>	INS-IPE-108R	<b>071593</b>	INS-IPE-108L
	1-5/8	<b>070886</b>	INS-IP-110R	<b>070918</b>	INS-IP-110L
	1-11/16	<b>070887</b>	INS-IP-111R	<b>070919</b>	INS-IP-111L
	1-3/4	<b>070888</b>	INS-IP-112R	<b>070920</b>	INS-IP-112L
22210	1-3/4 *	<b>071591</b>	INS-IPE-112R	<b>071594</b>	INS-IPE-112L
	1-7/8	<b>070889</b>	INS-IP-114R	<b>070921</b>	INS-IP-114L
	1-15/16	<b>070890</b>	INS-IP-115R	<b>070922</b>	INS-IP-115L
	2	<b>070891</b>	INS-IP-200R	<b>070923</b>	INS-IP-200L
22211	2-3/16	<b>070892</b>	INS-IP-203R	<b>070924</b>	INS-IP-203L
	2-1/4	<b>070893</b>	INS-IP-204R	<b>070925</b>	INS-IP-204L

\* Inserts for IMPERIAL-Type E dimensioned housings only  
Metric shaft sizes available upon request

Shaft Size	A	B	C	D	E
1-1/8	3.1496	61/64	2-5/8	0.970	2-23/32
1-3/16					
1-1/4					
1-3/8					
1-7/16					
1-1/2					
1-1/2 *	3.3465	61/64	2-13/16	0.954	3
1-5/8					
1-11/16					
1-3/4					
1-3/4 *	3.5433	61/64	2-55/64	0.977	3-9/32
1-7/8					
1-15/16					
2					
2-3/16	3.9370	1-3/64	3-1/32	1.050	3-1/2
2-1/4					

\* Inserts for IMPERIAL-Type E dimensioned housings only



## DIMENSIONS

### IMPERIAL Bearing Insert 2-3/8 THRU 5 INCH

ULTRA KLEEN

E-Z KLEEN

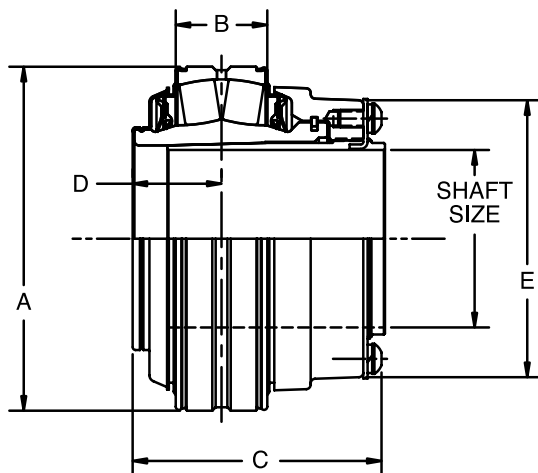
EXTREME DUTY

IMPERIAL-HD

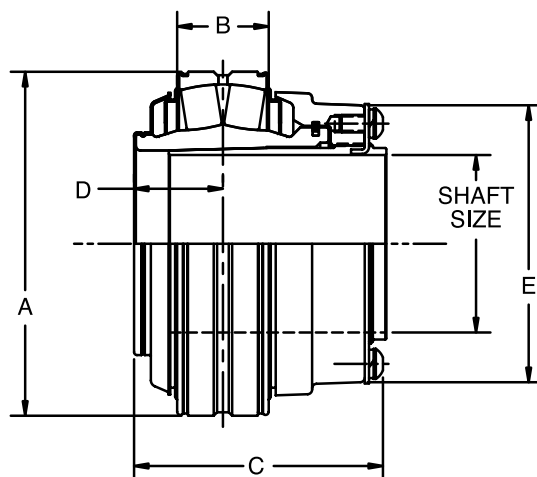
S2000-HD

PART NUMBER INDEX

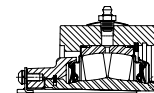
TRIDENT SEAL



LABYRINTH SEAL



# DIMENSIONS



## IMPERIAL Bearing Insert 2-3/8 THRU 5 INCH

Bearing Series	Shaft Size	TRIDENT Seal		Labyrinth Seal	
		Part Number	Part Name	Part Number	Part Name
22213	2-1/4 *	<b>071592</b>	INS-IPE-204R	<b>071595</b>	INS-IPE-204L
	2-3/8	<b>070894</b>	INS-IP-206R	<b>070926</b>	INS-IP-206L
	2-7/16	<b>070895</b>	INS-IP-207R	<b>070927</b>	INS-IP-207L
	2-1/2	<b>070896</b>	INS-IP-208R	<b>070928</b>	INS-IP-208L
22215	2-11/16	<b>070897</b>	INS-IP-211R	<b>070929</b>	INS-IP-211L
	2-3/4	<b>070898</b>	INS-IP-212R	<b>070930</b>	INS-IP-212L
	2-15/16	<b>070899</b>	INS-IP-215R	<b>070931</b>	INS-IP-215L
	3	<b>070900</b>	INS-IP-300R	<b>070932</b>	INS-IP-300L
22218	3-3/16	<b>070901</b>	INS-IP-303R	<b>070933</b>	INS-IP-303L
	3-1/4	<b>070902</b>	INS-IP-304R	<b>070934</b>	INS-IP-304L
	3-7/16	<b>070903</b>	INS-IP-307R	<b>070935</b>	INS-IP-307L
	3-1/2	<b>070904</b>	INS-IP-308R	<b>070936</b>	INS-IP-308L
22220	3-11/16	<b>070905</b>	INS-IP-311R	<b>070937</b>	INS-IP-311L
	3-15/16	<b>070906</b>	INS-IP-315R	<b>070938</b>	INS-IP-315L
	4	<b>070907</b>	INS-IP-400R	<b>070939</b>	INS-IP-400L
22222	4-7/16	<b>070908</b>	INS-IP-407R	<b>070940</b>	INS-IP-407L
	4-1/2	<b>070909</b>	INS-IP-408R	<b>070941</b>	INS-IP-408L
22226	4-15/16	<b>070910</b>	INS-IP-415R	<b>070942</b>	INS-IP-415L
	5	<b>070911</b>	INS-IP-500R	<b>070943</b>	INS-IP-500L

\* Insert for IMPERIAL-Type E dimensioned housings only

Metric shaft sizes available upon request

Shaft Size	A	B	C	D	E
2-1/4 *					
2-3/8	4.7241	1-9/32	3-27/64	1.208	3-7/8
2-7/16					
2-1/2					
2-11/16	5.1181	1-9/32	3-1/2	1.219	4-9/32
2-3/4					
2-15/16					
3					
3-3/16	6.2992	1-5/8	4-11/64	1.483	5
3-1/4					
3-7/16					
3-1/2					
3-11/16	7.0866	1-7/8	4-45/64	1.646	5-9/16
3-15/16					
4					
4-7/16	7.8740	2-5/32	5-15/64	1.935	6-7/16
4-1/2					
4-15/16	9.0551	2-19/32	5-63/64	2.107	7-5/8
5					

\* Insert for IMPERIAL-Type E dimensioned housings only

ULTRA KLEEN

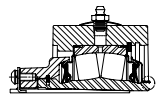
E-Z KLEEN

EXTREME DUTY

IMPERIAL-HD

S2000-HD

PART NUMBER INDEX



# DIMENSIONS

## Steel IMPERIAL Open End Covers



Shaft Size	Front End				Backside			
	IMPERIAL		E-IMPERIAL		IMPERIAL		E-IMPERIAL	
	Dodge Part No.	Description	Dodge Part No.	Description	Dodge Part No.	Description	Dodge Part No.	Description
1-1/8	<b>070160</b>	IPECO-08-102	<b>070160</b>	IPECO-08-102	<b>072500</b>	S2IPBECO-08-102	<b>072500</b>	S2IPBECO-08-102
1-3/16	<b>070161</b>	IPECO-08-103	<b>070161</b>	IPECO-08-103	<b>072501</b>	S2IPBECO-08-103	<b>072501</b>	S2IPBECO-08-103
1-1/4	<b>070162</b>	IPECO-08-104	<b>070162</b>	IPECO-08-104	<b>072502</b>	S2IPBECO-08-104	<b>072502</b>	S2IPBECO-08-104
1-3/8	<b>070163</b>	IPECO-08-106	<b>070163</b>	IPECO-08-106	<b>072503</b>	S2IPBECO-08-106	<b>072503</b>	S2IPBECO-08-106
1-7/16	<b>070164</b>	IPECO-08-107	<b>070164</b>	IPECO-08-107	<b>072504</b>	S2IPBECO-08-107	<b>072504</b>	S2IPBECO-08-107
1-1/2	<b>070165</b>	IPECO-08-108	<b>070166</b>	IPECO-09-108	<b>072505</b>	S2IPBECO-08-108	<b>072506</b>	S2IPBECO-09-108
1-5/8	<b>070167</b>	IPECO-09-110	<b>070167</b>	IPECO-09-110	<b>072507</b>	S2IPBECO-09-110	<b>072507</b>	S2IPBECO-09-110
1-11/16	<b>070168</b>	IPECO-09-111	<b>070168</b>	IPECO-09-111	<b>072508</b>	S2IPBECO-09-111	<b>072508</b>	S2IPBECO-09-111
1-3/4	<b>070169</b>	IPECO-09-112	<b>070170</b>	IPECO-10-112	<b>072509</b>	S2IPBECO-09-112	<b>072510</b>	S2IPBECO-10-112
1-7/8	<b>070171</b>	IPECO-10-114	<b>070171</b>	IPECO-10-114	<b>072511</b>	S2IPBECO-10-114	<b>072511</b>	S2IPBECO-10-114
1-15/16	<b>070172</b>	IPECO-10-115	<b>070172</b>	IPECO-10-115	<b>072512</b>	S2IPBECO-10-115	<b>072512</b>	S2IPBECO-10-115
2	<b>070173</b>	IPECO-10-200	<b>070173</b>	IPECO-10-200	<b>072513</b>	S2IPBECO-10-200	<b>072513</b>	S2IPBECO-10-200
2-3/16	<b>070174</b>	IPECO-11-203	<b>070174</b>	IPECO-11-203	<b>072514</b>	S2IPBECO-11-203	<b>072514</b>	S2IPBECO-11-203
2-1/4	<b>070175</b>	IPECO-11-204	<b>070176</b>	S2IPECO-13-204	<b>072515</b>	S2IPBECO-11-204	<b>072516</b>	S2IPBECO-13-204
2-3/8	<b>070177</b>	S2IPECO-13-206	<b>070177</b>	S2IPECO-13-206	<b>072517</b>	S2IPBECO-13-206	<b>072517</b>	S2IPBECO-13-206
2-7/16	<b>070178</b>	S2IPECO-13-207	<b>070178</b>	S2IPECO-13-207	<b>072518</b>	S2IPBECO-13-207	<b>072518</b>	S2IPBECO-13-207
2-1/2	<b>070179</b>	S2IPECO-13-208	<b>070179</b>	S2IPECO-13-208	<b>072519</b>	S2IPBECO-13-208	<b>072519</b>	S2IPBECO-13-208
2-11/16	<b>070180</b>	IPECO-15-211	<b>070180</b>	IPECO-15-211	<b>072520</b>	S2IPBECO-15-211	<b>072520</b>	S2IPBECO-15-211
2-3/4	<b>070181</b>	IPECO-15-212	<b>070181</b>	IPECO-15-212	<b>072521</b>	S2IPBECO-15-212	<b>072521</b>	S2IPBECO-15-212
2-15/16	<b>070182</b>	IPECO-15-215	<b>070182</b>	IPECO-15-215	<b>072522</b>	S2IPBECO-15-215	<b>072522</b>	S2IPBECO-15-215
3	<b>070183</b>	IPECO-15-300	<b>070183</b>	IPECO-15-300	<b>072523</b>	S2IPBECO-15-300	<b>072523</b>	S2IPBECO-15-300
3-3/16	<b>070184</b>	S2IPECO-18-303	<b>070184</b>	S2IPECO-18-303	<b>072524</b>	S2IPBECO-18-303	<b>072524</b>	S2IPBECO-18-303
3-1/4	<b>070185</b>	S2IPECO-18-304	<b>070185</b>	S2IPECO-18-304	<b>072525</b>	S2IPBECO-18-304	<b>072525</b>	S2IPBECO-18-304
3-7/16	<b>070186</b>	S2IPECO-18-307	<b>070186</b>	S2IPECO-18-307	<b>072526</b>	S2IPBECO-18-307	<b>072526</b>	S2IPBECO-18-307
3-1/2	<b>070187</b>	S2IPECO-18-308	<b>070187</b>	S2IPECO-18-308	<b>072527</b>	S2IPBECO-18-308	<b>072527</b>	S2IPBECO-18-308
3-11/16	<b>070188</b>	S2IPECO-20-311	<b>070188</b>	S2IPECO-20-311	<b>072528</b>	S2IPBECO-20-311	<b>072528</b>	S2IPBECO-20-311
3-15/16	<b>070189</b>	S2IPECO-20-315	<b>070189</b>	S2IPECO-20-315	<b>072529</b>	S2IPBECO-20-315	<b>072529</b>	S2IPBECO-20-315
4	<b>070190</b>	S2IPECO-20-400	<b>070190</b>	S2IPECO-20-400	<b>072530</b>	S2IPBECO-20-400	<b>072530</b>	S2IPBECO-20-400
4-7/16	<b>070191</b>	S2IPECO-22-407	<b>070191</b>	S2IPECO-22-407	<b>072531</b>	IPBECO-22-407	<b>072531</b>	IPBECO-22-407
4-1/2	<b>070192</b>	S2IPECO-22-408	<b>070192</b>	S2IPECO-22-408	<b>072533</b>	IPBECO-22-408	<b>072533</b>	IPBECO-22-408
4-15/16	<b>070193</b>	S2IPECO-26-415	<b>070193</b>	S2IPECO-26-415	<b>072534</b>	IPBECO-26-415	<b>072534</b>	IPBECO-26-415
5	<b>070194</b>	S2IPECO-26-500	<b>070194</b>	S2IPECO-26-500	<b>072536</b>	IPBECO-26-500	<b>072536</b>	IPBECO-26-500

ULTRA KLEEN

E-Z KLEEN

EXTREME DUTY

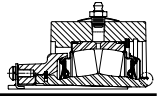
IMPERIAL-HD

S2000-HD

PART NUMBER INDEX



# DIMENSIONS



## Steel IMPERIAL Closed End Covers



Shaft Size	IMPERIAL		E-IMPERIAL	
	Dodge Part No.	Description	Dodge Part No.	Description
1-1/8 to 1-7/16	<b>069960</b>	IPEC08	<b>069960</b>	IPEC08
1-1/2	<b>069960</b>	IPEC08	<b>069961</b>	IPEC09
1-5/8 to 1-11/16	<b>069961</b>	IPEC09	<b>069961</b>	IPEC09
1-3/4	<b>069961</b>	IPEC09	<b>069962</b>	IPEC10
1-7/8 to 2	<b>069962</b>	IPEC10	<b>069962</b>	IPEC10
2-3/16	<b>069963</b>	IPEC11	<b>069963</b>	IPEC11
2-1/4	<b>069963</b>	IPEC11	<b>069964</b>	IPEC13
2-3/8 to 2-1/2	<b>069964</b>	IPEC13	<b>069964</b>	IPEC13
2-11/16 to 3	<b>069965</b>	IPEC15	<b>069965</b>	IPEC15
3-3/16 to 3-1/2	<b>069966</b>	IPEC18	<b>069966</b>	IPEC18
3-11/16 to 4	<b>069967</b>	S2IPEC20	<b>069967</b>	S2IPEC20
4-7/16 to 4-1/2	<b>069968</b>	S2IPEC22	<b>069968</b>	S2IPEC22
4-15/16 to 5	<b>069969</b>	S2IPEC26	<b>069969</b>	S2IPEC26

ULTRA KLEEN

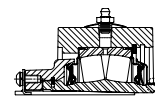
E-Z KLEEN

EXTREME DUTY

IMPERIAL-HD

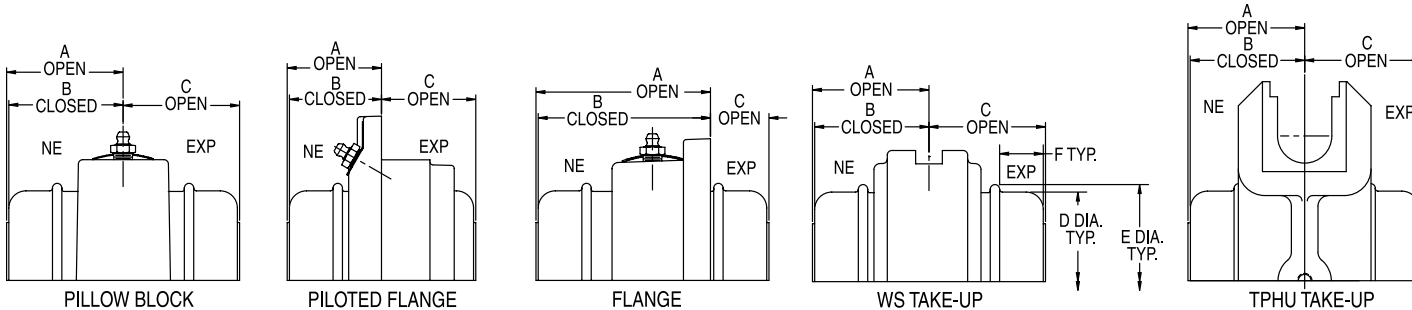
S2000-HD

PART NUMBER INDEX

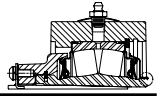


# DIMENSIONS

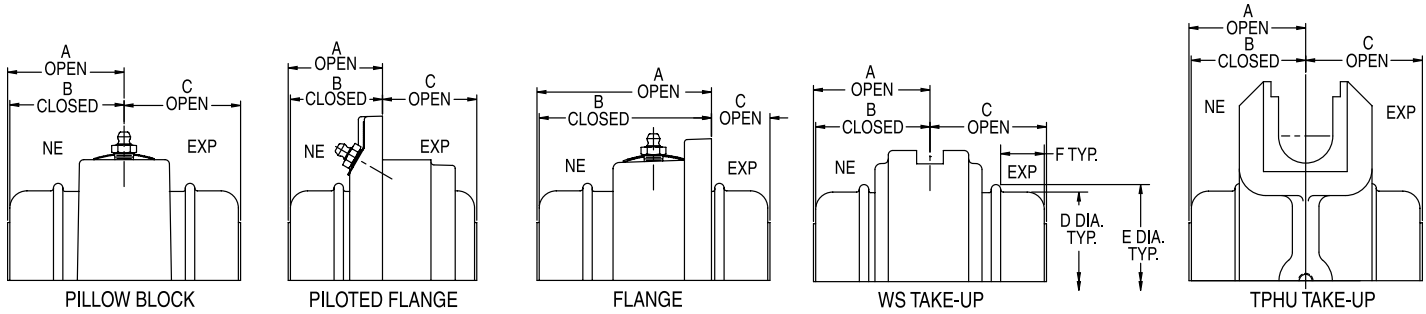
## IP End Cover



	Shaft Size	IP Pillow Block (2 Bolt)	IP Pillow Block (4 Bolt)	IP Piloted Flange	IP Round Flange	IP Square Flange	Wide Slot Take-Up
A Open	1-1/8	2.03		1.67	3.12	3.45	2.06
B Closed	Thru	1.97	N/A	1.61	3.06	3.39	2.00
C Open	1-1/2	2.10		2.46	0.99	0.99	2.10
A Open	1-5/8	2.22		1.83	3.33	4.07	2.19
B Closed	1-11/16	2.16	N/A	1.77	3.27	4.01	2.13
C Open	1-3/4	2.25		2.60	1.10	1.10	2.25
A Open	1-7/8	2.31		1.92	3.47	3.95	2.25
B Closed	1-15/16	2.25	N/A	1.86	3.41	3.89	2.19
C Open	2	2.45		2.83	1.28	1.28	2.45
A Open	2-3/16	2.47		2.00	3.69	4.53	2.42
B Closed	2-1/4	2.41	N/A	1.94	3.63	4.47	2.36
C Open		2.54		3.00	1.32	1.32	2.54
A Open	2-3/8	2.53	2.53	2.18	4.04	4.72	2.53
B Closed	2-7/16	2.44	2.44	2.09	3.95	4.63	2.44
C Open	2-1/2	2.77	2.77	3.24	1.37	1.37	2.77
A Open	2-11/16	2.65	2.65	2.29	4.18	5.06	2.70
B Closed	Thru	2.56	2.56	2.20	4.09	4.97	2.61
C Open	3	3.06	3.06	3.54	1.66	1.66	3.06
A Open	3-3/16	3.07	3.07	2.91		5.78	3.07
B Closed	Thru	2.94	2.94	2.78	N/A	5.65	2.94
C Open	3-1/2	3.31	3.31	3.59		1.63	3.31
A Open	3-11/16	3.49	3.49	3.32		7.17	3.52
B Closed	Thru	3.36	3.36	3.19	N/A	7.04	3.39
C Open	4	3.80	3.80	4.13		1.94	3.80
A Open	4-7/16		3.96	4.02			
B Closed	4-1/2	N/A	3.83	3.89	N/A	N/A	N/A
C Open			4.23	4.16			
A Open	4-15/16		4.49	4.24			
B Closed	5	N/A	4.36	4.11	N/A	N/A	N/A
C Open			4.69	4.91			



**IP End Cover**



	Shaft Size	E-IP Pillow Block (2 Bolt)	E-IP Pillow Block (4 Bolt)	E-IP Piloted Flange	E-IP Square Flange	D	E	F		Shaft Size	ISAF Pillow Block (2 Bolt)	ISAF Pillow Block (4 Bolt)
A Open	1-3/8	2.03		1.67	3.45				A Open		2.04	
B Closed	Thru	1.97	N/A	1.61	3.39	2-15/16	3-3/16	3/4	B Closed	1-7/16	1.98	N/A
C Open	1-7/16	2.07		2.46	1.20				C Open		2.05	
A Open	1-1/2	2.22		1.83	4.07				A Open		2.20	
B Closed	1-5/8	2.16	N/A	1.77	4.01	3-17/64	3-25/64	7/8	B Closed	1-11/16	2.14	N/A
C Open	1-11/16	2.22		2.60	1.20				C Open		2.18	
A Open	1-3/4	2.31		1.92	3.95				A Open		2.35	
B Closed	Thru	2.25	N/A	1.86	3.89	3-33/64	3-39/64	1-1/64	B Closed	1-15/16	2.29	N/A
C Open	2	2.45		2.83	1.38				C Open		2.37	
A Open		2.47		2.00	4.53				A Open		2.46	
B Closed	2-3/16	2.41	N/A	1.94	4.47	3-49/64	3-61/64	1-1/32	B Closed	2-3/16	2.40	N/A
C Open		2.54		3.00	1.43				C Open		2.44	
A Open	2-1/4	2.53	2.53	2.18	4.72				A Open		2.74	2.74
B Closed	2-7/16	2.44	2.44	2.09	4.63	4-13/32	4-41/64	1	B Closed	2-7/16	2.65	2.65
C Open	2-1/2	2.77	2.77	3.24	1.69				C Open		2.69	2.69
A Open	2-11/16	2.65	2.63	2.29	5.06				A Open		2.83	2.83
B Closed	Thru	2.56	2.54	2.20	4.97	4-59/64	5-1/16	1-7/32	B Closed	2-11/16	2.74	2.74
C Open	3	3.06	3.06	3.54	1.62				C Open		2.94	2.94
A Open	3-3/16	3.07	3.04	2.91	5.78				A Open		2.83	2.83
B Closed	Thru	2.94	2.91	2.78	5.65	5-63/64	6-7/32	1-1/8	B Closed	2-15/16	2.74	2.74
C Open	3-1/2	3.31	3.31	3.59	1.38				C Open		2.98	2.98
A Open	3-15/16		3.80	3.31	7.17				A Open		3.31	3.31
B Closed	Thru	N/A	3.67	3.19	7.04	6-43/64	6-29/32	1-3/8	B Closed	3-7/16	3.18	3.18
C Open	4		3.80	4.13	2.06				C Open		3.26	3.26
A Open	4-7/16		3.91	3.85	7.62				A Open		N/A	3.70
B Closed	Thru	N/A	3.78	3.72	7.49	7-5/16	7-9/16	1-43/64	B Closed	3-15/16	N/A	3.57
C Open	4-1/2		4.23	4.68	4.23				C Open			3.68
A Open	4-15/16		4.46	4.08					A Open			4.05
B Closed	Thru	N/A	4.33	3.95	N/A	8-7/16	8-11/16	1-29/32	B Closed	4-7/16	N/A	3.92
C Open	5		4.69	5.37					C Open			4.02
									A Open			4.55
									B Closed	4-15/16	N/A	4.42
									C Open			4.49

ULTRA KLEEN

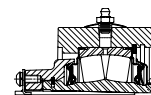
E-Z KLEEN

EXTREME DUTY

IMPERIAL-HD

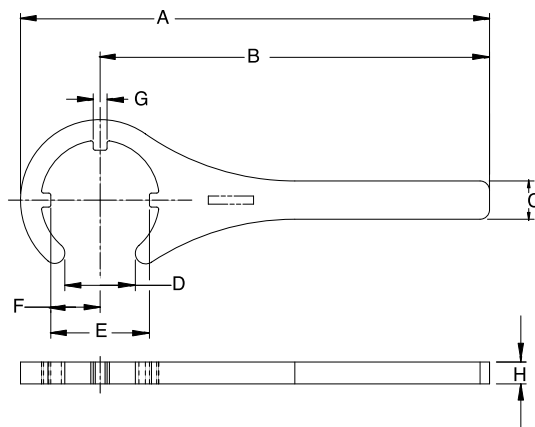
S2000-HD

PART NUMBER INDEX



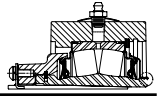
# DIMENSIONS

## IMPERIAL Spanner Wrench

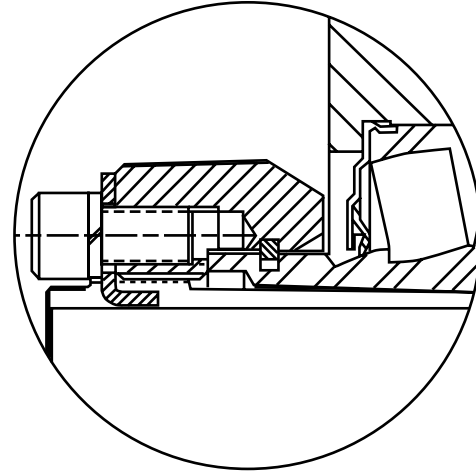
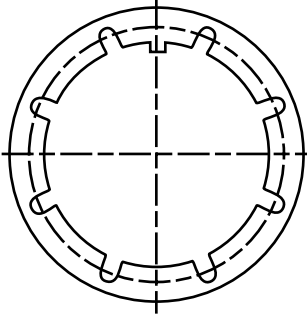


Shaft Size	Part Number	A	B	C	D	E	F	G	H
1-1/8 thru 1-1/2	<b>066629</b>	10.84	9.00	0.88	1.63	2.28	1.14	0.32	0.5
1-5/8 thru 1-3/4	<b>066630</b>	11.04	9.00	0.88	1.88	2.48	1.24	0.32	0.5
1-7/8 thru 2	<b>066631</b>	11.20	9.00	0.88	2.13	2.72	1.36	0.32	0.5
2-3/16 thru 2-1/4	<b>066632</b>	12.38	10.00	0.88	2.38	2.98	1.49	0.44	0.5
2-3/8 thru 2-1/2	<b>066633</b>	12.63	10.00	1.31	2.63	3.40	1.70	0.44	0.5
2-11/16 thru 3	<b>066634</b>	16.90	14.00	1.31	3.13	3.80	1.90	0.44	0.5
3-3/16 thru 3-1/2	<b>066635</b>	17.39	14.00	1.31	3.63	4.36	2.18	0.44	0.5
3-11/16 thru 4	<b>066636</b>	17.75	14.00	1.75	4.13	4.91	2.46	0.44	0.5
4-7/16 thru 4-1/2	<b>066637</b>	20.36	16.00	1.75	4.63	5.68	2.84	0.44	0.5
4-15/16 thru 5	<b>066638</b>	25.17	20.00	2.00	5.13	6.88	3.44	0.44	0.5
5-7/16 thru 5-1/2	<b>066642</b>	27.82	22.00	2.00	5.63	8.05	4.03	0.69	0.5
5-15/16 thru 6	<b>066643</b>	28.75	22.00	2.00	6.13	9.13	4.57	0.75	0.5
6-7/16 thru 7	<b>066644</b>	31.54	24.00	2.00	7.13	10.08	5.04	0.75	0.5

# DIMENSIONS



## IMPERIAL Lockplate Kit



The Lockplate Kits consists of:  
Lockplate  
2 Socket Head Capscrews  
2 Lockwashers

Shaft Size Inch	Part Number
1-7/16	048925
1-11/16	048926
1-15/16	048927
2 SM	
2 LG	048928
2-3/16	
2-3/8	048929
2-7/16	
2-11/16	048930
2-3/4	
2-15/16	
3-7/16	048931
3-15/16	048932
4-7/16	048933
4-15/16	048934

ULTRA KLEEN

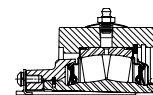
E-Z KLEEN

EXTREME DUTY

IMPERIAL-HD

S2000-HD

PART NUMBER INDEX



## FEATURES/BENEFITS

### DODGE S2000-HD

DODGE S2000-HD mounted bearings feature proven DODGE S2000 insert technology deployed in steel housings designed specifically for harsh applications that demand superior housing strength. Major features include...

- S2000 set screw mounting system
- Same dimensions as cast iron S2000 products
- Proven, high capacity spherical rollers
- Closed & shaft through end covers
- Field convertible between Expansion & Non-Expansion
- High capacity cast steel housing
- Also available in popular "Type E" dimensioned housings
- Effective sealing systems for tough applications
- Sealed inserts that can be easily replaced in the field

#### S2000-HD "E"

Two bolt pillow blocks – 1-3/8 to 3-7/16"  
 Four bolt pillow blocks – 2-7/16 to 4-15/16"  
 Four bolt square flange – 1-3/8 to 3-15/16"

#### Dimensioned S2000-HD

Two bolt pillow blocks – 1-3/8 to 3-7/16"  
 Four bolt pillow blocks – 2-7/16 to 4-15/16"

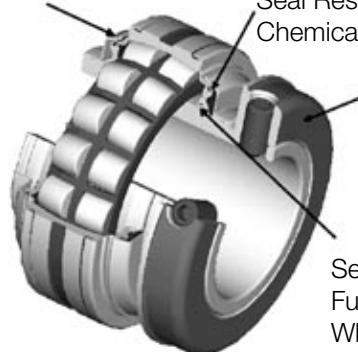
### Longer Bearing Life By Design . . .

High capacity double row spherical rollers offer up to 250% more L<sub>10</sub> life than competitive brands

- Larger rollers
- More contact area
- Case-carburized inner rings resist cracking
- Static or dynamic misalignment up to ± 1°
- Expansion capability up to 3/8" (9.5mm)

Corrosion Resistant  
 Flinger Blocks  
 Contaminants

Patented Triple Lip Nitrile  
 Seal Resists Heat and  
 Chemical Breakdown



Ease In Mounting  
 And Dismounting  
 Achieved Through  
 Locking Collar

Seal/Land Maintains  
 Full Seal Contact  
 When Misaligned

### Installation Savings . . .

- Factory lubed, sealed and adjusted, ready to slip onto the shaft
- 65° Springlok collar mount for increased holding power versus 90° or 120°
- Field convertible from non-expansion to expansion and expansion to non-expansion
- Elongated pillow block bolt holes to facilitate mounting

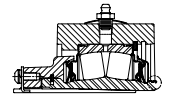
### Inch

DODGE Spherical Bearings, including S2000 bearings, are general purpose, high-capacity, double-row spherical roller bearings. All are mounted in single piece precision machined housings. Bearings are mounted to shafts by means of set screw collars, with 65 degree set screw spacing for maximum clamping force.

A-27 Grade 70-36 Class 1 Steel is the standard material used in Steel S2000 housings. Housing designs are available for survival in extreme harsh environments, through the use of special finishes and stainless hardware.

Housings are available in a variety of standard configurations, including pillow blocks, flanges, and piloted flanges. TRIDENT triple lip contact seal and Labyrinth seals are available on S2000 bearings.





**S2000-HD  
SPHERICAL ROLLER BEARINGS**

DODGE Spherical Roller Bearings have the capacity to carry heavy radial loads and combined radial and thrust loads. The maximum recommended load which can be applied is limited by various components in the system such as bearing, housing, shaft, shaft attachment, speed and life requirements as listed in this catalog. DODGE spherical roller bearings have been applied successfully even when these limits have been exceeded under controlled operating conditions. Contact DODGE Application Engineering (864-284-5700) for applications which exceed the recommendations of this catalog.

$L_{10}$  Hours Life - The life which may be expected from at least 90% of a given group of bearings operating under identical conditions.

$$L_{10} \text{ Life, Hours} = \left(\frac{C}{P}\right)^3 \times \left(\frac{16667}{\text{RPM}}\right)$$

Where: C = Dynamic Capacity  
(Table 1 on page B5-9) lbs.

P = Equivalent Radial Load, lbs.

**GENERAL**

Heavy Service - For heavy shock loads, frequent shock loads, or severe vibrations, add up to 50% (according to severity of conditions) to the Equivalent Radial Load to obtain a Modified Equivalent Radial Load. Consult DODGE Application Engineering for additional selection assistance.

Thrust load values shown in the table below are recommended as a guide for general applications that will give adequate  $L_{10}$  life. Spherical bearings require a radial load at least equal to the thrust load for proper operation. If the thrust load exceeds this limit, consult Application

Engineering. Where substantial radial load is also present, it is advisable to calculate actual  $L_{10}$  life to assure that it meets the requirements. The effectiveness of the shaft attachment to carry thrust load depends on proper tightening of the set screws, shaft tolerance and shaft deflections. Therefore, it is advisable to use auxiliary thrust carrying devices such as shaft shoulder, snap ring or a thrust collar to locate the bearing under thrust loads heavier than shown below, or where extreme reliability is desired.

RPM	20-200	201 - 2000	Over 2000
RECOMMENDED THRUST LOAD	C/20	C/40	C/60

The shaft tolerances recommended below are adequate for normal radial and radial/thrust load applications. The radial load is limited by the attachment to the shaft (see Table 1 on page B5-9). Where the applied radial load (FR) exceeds this limit (maximum allowable slip fit radial load), a snug-to-light press fit of the shaft is required. Since the allowable load, especially at a low speed, is very large, the shaft should be checked to assure adequate shaft strength.

The magnitude and direction of both the thrust and radial load must be taken into account when selecting a housing. When pillow blocks are utilized, heavy loads should be directed through the base. Where uplift loads are involved, see Table 3 on page B5-14 and for maximum values. Where a load pulls the housing away from the mounting base, both the hold-down bolts and housing must be of adequate strength. Auxiliary load carrying devices such as shear bars are advisable for side or end loading of pillow blocks and radial loads for flange units.

SHAFT TOLERANCES	
SHAFT SIZE	S2000
UP TO 1-1/2"	+.0000 -.0005"
1-9/16 TO 4"	+.000 -.001"
4-7/16 TO 5"	+.000 -.0015"

ULTRA KLEEN

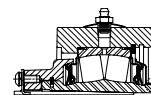
E-Z KLEEN

EXTREME DUTY

IMPERIAL-HD

S2000-HD

PART NUMBER INDEX



## SELECTION

### S2000-HD BEARING SUPPORTING RADIAL LOADS ONLY

1. Define  $L_{10}$  Life Hours desired.
2. Establish bearing radial load,  $F_R$   
( $F_R = P$  for Pure Radial Load Conditions). The DODGE program BEST★ can be used to find application loads.
3. Establish RPM.

Using the easy selection Table 2 on page B5-10, find, under the RPM column, the equivalent radial load that equals or is slightly higher than the application radial load for the desired life. The shaft size on the far left will be the minimum shaft size that you can use for your application.

If the desired life is different than the values shown on the chart, use alternate Method A shown below.

- Example: 1.  $L_{10}$  Life = 30,000 Hours  
2. Radial load = 4000 lbs.  
3. RPM = 1,000

At the intersection of the 1,020 RPM column and the 30,000 hours  $L_{10}$  life row, the equivalent radial load of 4092 lbs. exceeds the 4000 lbs. radial load for shaft size 2-7/16". A bearing with bore 2-7/16", or larger, may be used for this application.

#### ALTERNATE METHOD A - SELECTING A BEARING FOR AN $L_{10}$ LIFE VALUE NOT SHOWN IN THE EASY SELECTION CHART

The  $L_{10}$  life equation can be rearranged so that the bearing dynamic capacity  $C$  is identified in terms of  $L_{10}$ , RPM and  $P$

$$C = \left( \frac{L_{10} \times \text{RPM}}{16667} \right)^{0.3} \times P$$

( $P = F_R$  for Pure Radial Load Conditions)

Since the  $L_{10}$ , RPM and  $P$  are known, solve for  $C$ . Select from the dynamic capacity column on Table 1 on page B5-9 the  $C$  value equal to or greater than the  $C$  value just calculated. The bore size on the far left represents the proper bore size selection. Check that the application RPM does not exceed the MAX. RPM from Table 1. Also check that the

radial load does not exceed the Maximum Allowable Slip Fit Radial Load shown on Table 1 on page B5-9. If it does, a line-to-line light press fit of shaft is required. When selecting an  $L_{10}$  life of less than 30,000 hours, particular attention must be paid to shaft deflection and proper lubricant selection.

#### SELECTING BEARINGS SUPPORTING COMBINATION RADIAL AND THRUST LOADS

When a bearing supports both a radial load and a thrust load, the loading on the two rows is shared unequally depending on the ratio of thrust to radial load. The use of the  $X$  (radial factor) and  $Y$  (thrust factor) from Table 1 converts the applied thrust load and radial load to an equivalent radial load having the same effect on the life of the bearing as a radial load of this magnitude.

The equivalent radial load  $P = XF_R + YF_A$

Where:

$P$  = Equivalent radial load, lbs.

$F_R$  = Radial load, lbs. (See Table 1 for allowable slip fit maximum load)

$F_A$  = Thrust (axial) load, lbs.

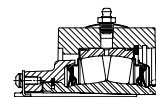
$e$  = Thrust load to radial load factor (Table 1)

$X$  = Radial load factor (Table 1)

$Y$  = Thrust load factor (Table 1)

★ The DODGE Bearing Evaluation and Selection Technique (BEST) is a menu driven computer program that calculates bearing loads, fatigue life and operating temperature for a two bearing shaft system based on user supplied input parameters. This interactive program is available at [www.ptwizard.com](http://www.ptwizard.com) under the Product Selection area.





## S2000-HD BEARING SUPPORTING RADIAL LOADS ONLY

To find X and Y, calculate  $F_A/F_R$  and compare to **e** for the selected bore size. Determine X and Y from Table 1 on page B5-9 depending on whether  $F_A/F_R$  is equal to or less than **e**, or  $F_A/F_R$  is greater than **e**. Substitute all known values into the equivalent radial load equation. P (equivalent radial load) can be used in the life formula to determine  $L_{10}$ , or it can be compared to the allowable equivalent radial load ratings for the speed and hours life desired in the easy selection Table 2 on page B5-10.

### SELECTING BEARINGS SUPPORTING ONLY THRUST LOADS

Spherical Roller Bearings generally are not recommended for pure thrust load applications. However, they will perform satisfactorily under very light pure thrust loads. Consult DODGE Application Engineering (864-284-5700).

### SELECTING LUBRICATION

DODGE S2000 spherical roller bearings are lubricated at the factory with Exxon Ronex MP grease. Exxon Ronex MP grease is a superior industrial grease using a lithium complex thickener and highly refined base oil. This grease will adequately handle low and medium speeds with low and medium loads at normal temperatures as defined on Table 3 on page B5-14. For very low and high speeds, for heavy

loads and for low and high temperatures, special greases must be used. Contact DODGE Application Engineering (864-284-5700). DODGE engineers will recommend bearings and lubricants for the above unusual conditions. DODGE also has the expertise to custom design and build special bearings for your needs. The only maintenance requirement for DODGE Unitized roller bearings is periodic relubrication at regular intervals as outlined in the appropriate instruction manuals.

### MISALIGNMENT CONSIDERATIONS

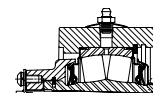
In nearly all applications, good design practice requires two bearings supporting the shaft. In cases where three or more bearings are installed, unless precautions are taken to line the bearings up both vertically and horizontally, it is possible to induce heavy loads. In the case of two bearings, alignment is not as critical, especially with DODGE Unitized Spherical Roller Bearings. S2000 bearings are designed to allow a maximum of  $\pm 1^\circ$  of static and dynamic misalignment. To ensure good alignment, mounting surfaces must be checked for flatness and must lie in the same plane. When tightening base bolts, each bolt should be alternately tightened in incremental torque values until full torque is achieved to prevent the angular shifting of the pillow block that occurs when one bolt is tightened to its full torque. Shimming may be required to minimize misalignment.

**Table 1: S2000-HD Spherical Roller Bearings**

Shaft Size Inches	Basic Bearing Description	e	FA/FR < e		FA/FR > e		Max. Allowable Slip Fit Radial Load FR* Pounds	Dynamic Capacity (C) Pounds	Static Capacity Co	Maximum Speed **	
			X	Y	X	Y				Labyrinth RPM	TRIDENT Triple Lip RPM
1-3/8 1-7/16 1-1/2	22208	0.28	1.0	2.4	0.67	3.6	3,750	20,800	21,000	3,600	2,900
1-11/16 1-3/4	22209	0.26	1.0	2.6	0.67	3.9	3,750	20,800	22,000	3,360	2,460
1-15/16 2	22210	0.24	1.0	2.8	0.67	4.2	4,000	22,000	24,000	3,180	2,200
2-3/16 2-7/16	22211 22213	0.23 0.24	1.0 1.0	2.9 2.8	0.67 0.67	4.3 4.2	4,860 6,840	27,000 39,000	29,000 47,500	2,700 2,250	1,950 1,740
2-11/16 2-15/16 3	22215	0.22	1.0	3.1	0.67	4.6	7,500	41,500	53,000	2,040	1,490
3-7/16 3-15/16	22218 22220	0.23 0.24	1.0 1.0	2.9 2.8	0.67 0.67	4.3 4.2	11,500 14,400	65,500 83,000	81,500 104,000	1,560 1,320	1,280 1,075
4-7/16 4-15/16	22222 22226	0.25 0.26	1.0 1.0	2.7 2.6	0.67 0.67	4.1 3.9	18,400 25,700	104,000 146,000	132,000 196,000	1,200 1,020	990 870

\* If load exceeds the maximum allowable slip fit load, line- to-line to light press fit of shaft required. Maximum slip fit radial loads apply if recommended shaft sizes are used.

\*\* Maximum speed is dependent on load and ambient conditions, consult DODGE Engineering.



# SELECTION

## S2000-HD

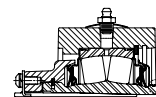
**Table 2: Easy Selection Table for S2000-HD Double Row Spherical Roller Bearings**

Shaft Size Inches	L <sub>10</sub> Life Hours	Allowable Equivalent Radial Load Rating (lbs.) at Various Revolutions per Minute								
		50	100	150	250	500	870	1,020	1,200	1,320
1-3/8 to 1-1/2	10,000	7,498	6,090	5,393	4,626	3,758	3,182	3,034	2,890	2,808
	30,000	5,393	4,380	3,878	3,327	2,703	2,289	2,182	2,078	2,020
	40,000	4,947	4,018	3,558	3,052	2,479	2,100	2,002	1,907	1,853
	60,000	4,380	3,558	3,150	2,703	2,195	1,859	1,773	1,688	1,641
	100,000	3,758	3,052	2,703	2,319	1,883	1,595	1,521	1,448	1,407
1-11/16 to 1-3/4	10,000	7,498	6,090	5,393	4,626	3,758	3,182	3,034	2,890	2,808
	30,000	5,393	4,380	3,878	3,327	2,703	2,289	2,182	2,078	2,020
	40,000	4,947	4,018	3,558	3,052	2,479	2,100	2,002	1,907	1,853
	60,000	4,380	3,558	3,150	2,703	2,195	1,859	1,773	1,688	1,641
	100,000	3,758	3,052	2,703	2,319	1,883	1,595	1,521	1,448	1,407
1-15/16 to 2	10,000	7,930	6,441	5,704	4,893	3,975	3,366	3,209	3,057	2,970
	30,000	5,704	4,633	4,102	3,519	2,859	2,421	2,308	2,198	2,136
	40,000	5,232	4,250	3,763	3,228	2,622	2,221	2,117	2,017	1,960
	60,000	4,633	3,763	3,332	2,859	2,322	1,966	1,875	1,786	1,735
	100,000	3,975	3,228	2,859	2,452	1,992	1,687	1,608	1,532	1,489
2-3/16	10,000	9,733	7,905	7,000	6,005	4,878	4,131	3,939	3,751	3,645
	30,000	7,000	5,686	5,035	4,319	3,508	2,971	2,833	2,698	2,622
	40,000	6,421	5,216	4,618	3,962	3,218	2,726	2,599	2,475	2,405
	60,000	5,686	4,618	4,089	3,508	2,850	2,413	2,301	2,191	2,130
	100,000	4,878	3,962	3,508	3,010	2,445	2,070	1,974	1,880	1,827
2-7/16	10,000	14,058	11,419	10,111	8,674	7,046	5,967	5,689	5,418	5,266
	30,000	10,111	8,213	7,272	6,239	5,068	4,292	4,092	3,897	3,787
	40,000	9,275	7,534	6,671	5,723	4,649	3,937	3,753	3,575	3,474
	60,000	8,213	6,671	5,907	5,068	4,116	3,486	3,324	3,165	3,076
	100,000	7,046	5,723	5,068	4,348	3,531	2,991	2,851	2,716	2,639
2-11/16 to 3	10,000	14,959	12,151	10,759	9,230	7,497	6,350	6,054	5,766	3,697
	30,000	10,759	8,739	7,738	6,639	5,392	4,567	4,354	4,147	3,697
	40,000	9,870	8,017	7,098	6,090	4,946	4,189	3,994	3,804	3,697
	60,000	8,739	7,098	6,285	5,392	4,380	3,709	3,537	3,368	3,273
	100,000	7,497	6,090	5,392	4,626	3,758	3,182	3,034	2,890	2,808
3-7/16	10,000	23,611	19,178	16,981	14,569	11,833	10,022	9,555	6,004	8,844
	30,000	16,981	13,793	12,213	10,478	8,511	7,208	6,872	6,004	6,360
	40,000	15,577	12,653	11,203	9,612	7,807	6,612	6,304	6,004	5,835
	60,000	13,793	11,203	9,920	8,511	6,913	5,855	5,582	5,316	5,166
	100,000	11,833	9,612	8,511	7,302	5,931	5,023	4,789	4,561	4,432
3-15/16	10,000	29,919	24,302	21,518	18,461	14,995	12,699	7,988	11,531	11,206
	30,000	21,518	17,478	15,476	13,278	10,785	9,134	7,988	8,294	8,060
	40,000	19,739	16,033	14,197	12,180	9,893	8,378	7,988	7,608	7,393
	60,000	17,478	14,197	12,571	10,785	8,760	7,419	7,073	6,737	6,547
	100,000	14,995	12,180	10,785	9,252	7,515	6,365	6,068	5,779	5,616
4-7/16	10,000	37,489	30,450	26,963	23,132	18,789	10,498	15,171	14,449	
	30,000	26,963	21,901	19,392	16,637	13,513	10,498	10,911	10,392	
	40,000	24,733	20,090	17,789	15,261	12,396	10,498	10,009	9,533	
	60,000	21,901	17,789	15,751	13,513	10,976	9,296	8,863	8,441	
	100,000	18,789	15,261	13,513	11,593	9,417	7,975	7,603	7,242	
4-15/16	10,000	52,628	42,747	37,851	32,473	26,377	14,738	21,298		
	30,000	37,851	30,745	27,224	23,356	18,971	14,738	15,318		
	40,000	34,722	28,203	24,973	21,424	17,402	14,738	14,051		
	60,000	30,745	24,973	22,112	18,971	15,409	13,050	12,442		
	100,000	26,377	21,424	18,971	16,275	13,220	11,196	10,674		

Only the labyrinth seal (L seal) may be used to the right of the heavy line.

In the light shaded area, a line-to-line to light press fit on the shaft is required.

For applications in the dark shaded area, the maximum load for the specific speed is shown. The load does not correspond to the L<sub>10</sub> shown at the left.



**S2000-HD**

**Table 2: Easy Selection Table for S2000-HD Double Row Spherical Roller Bearings (cont)**

Shaft Size Inches	L <sub>10</sub> Life Hours	Allowable Equivalent Radial Load Rating (lbs.) at Various Revolutions per Minute							
		1,560	1,750	2,040	2,250	2,700	3,180	3,360	3,600
1-3/8 to 1-1/2	10,000	2,671	2,581	2,465	2,393	1,495	2,157	2,122	2,078
	30,000	1,921	1,856	1,773	1,721	1,495	1,552	1,526	1,495
	40,000	1,762	1,703	1,626	1,579	1,495	1,423	1,400	1,371
	60,000	1,560	1,508	1,440	1,398	1,324	1,260	1,240	1,214
1-11/16 to 1-3/4	100,000	1,339	1,293	1,235	1,199	1,136	1,081	1,063	1,042
	10,000	2,671	2,581	2,465	1,579	2,266	2,157	2,122	
	30,000	1,921	1,856	1,773	1,579	1,630	1,552	1,526	
	40,000	1,762	1,703	1,626	1,579	1,495	1,423	1,400	
1-15/16 to 2	60,000	1,560	1,508	1,440	1,398	1,324	1,260	1,240	
	100,000	1,339	1,293	1,235	1,199	1,136	1,081	1,063	
	10,000	2,825	2,729	1,720	2,531	2,396	2,282		
	30,000	2,032	1,963	1,720	1,820	1,724	1,641		
2-3/16	40,000	1,864	1,801	1,720	1,670	1,581	1,505		
	60,000	1,650	1,594	1,523	1,479	1,400	1,333		
	100,000	1,416	1,368	1,306	1,269	1,201	1,144		
	10,000	3,467	2,210	3,199	3,106	2,941			
2-7/16	30,000	2,494	2,210	2,301	2,234	2,115			
	40,000	2,288	2,210	2,111	2,050	1,940			
	60,000	2,026	1,957	1,869	1,815	1,718			
	100,000	1,738	1,679	1,603	1,557	1,474			
2-11/16 to 3	10,000	5,008	4,838	4,621	4,487				
	30,000	3,602	3,480	3,324	3,227				
	40,000	3,304	3,192	3,049	2,960				
	60,000	2,926	2,827	2,700	2,621				
3-7/16	100,000	2,510	2,425	2,316	2,249				
	10,000	5,329	5,149	4,917					
	30,000	3,833	3,703	3,537					
	40,000	3,516	3,397	3,244					
3-15/16	60,000	3,113	3,008	2,873					
	100,000	2,671	2,580	2,464					
	10,000	8,411							
	30,000	6,050							
4-7/16	40,000	5,549							
	60,000	4,914							
	100,000	4,216							
	10,000								
4-15/16	30,000								
	40,000								
	60,000								
	100,000								

Only the labyrinth seal (L seal) may be used to the right of the heavy line.

In the light shaded area, a line-to-line to light press fit on the shaft is required.

For applications in the dark shaded area, the maximum load for the specific speed is shown. The load does not correspond to the L<sub>10</sub> shown at the left.

ULTRA KLEEN

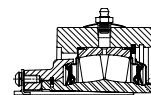
E-Z KLEEN

EXTREME DUTY

IMPERIAL-HD

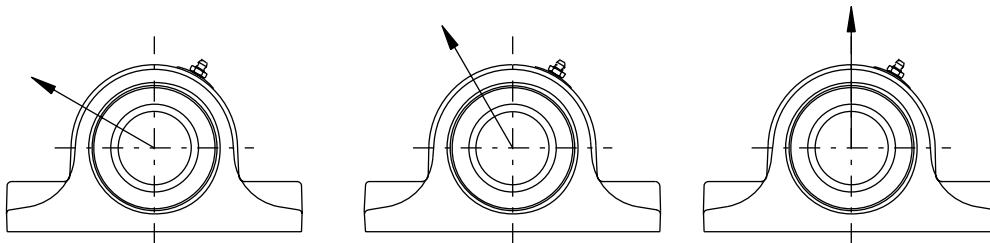
S2000-HD

PART NUMBER INDEX



## SELECTION

### S2000-HD



**Table 3: Steel Housed S2000 & Imperial - Housing Ratings\***

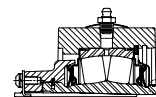
Shaft Sizes	Basic Bearing Description	Maximum Recommended Housing Loads, lb	
		P2B	P4B
1-1/8 1-3/16 1-1/4 1-3/8 1-7/16 1-1/2	22208	24400	
1-1/2** 1-5/8 1-11/16 1-3/4	22209	26400	
1-3/4** 1-15/16 2	22210	30200	
2-3/16 2-1/4	22211	35400	
2-1/4** 2-3/8 2-7/16 2-1/2	22213	51300	52800
2-11/16 2-3/4 2-15/16 3	22215	59700	60000
3-3/16 3-1/4 3-7/16 3-1/2	22218	90700	95500
3-11/16 3-15/16 4	22220		115000
4-7/16 4-1/2	22222		152100
4-15/16 5	22226		188200

\* It is important to note that the values listed above are housing fracture loads from various ... applied directions. These loads may exceed bearing, mounting bolt and/or shaft capacities. Applications subject to heavy housing loads, particularly shock loads, must adhere to the following procedures:

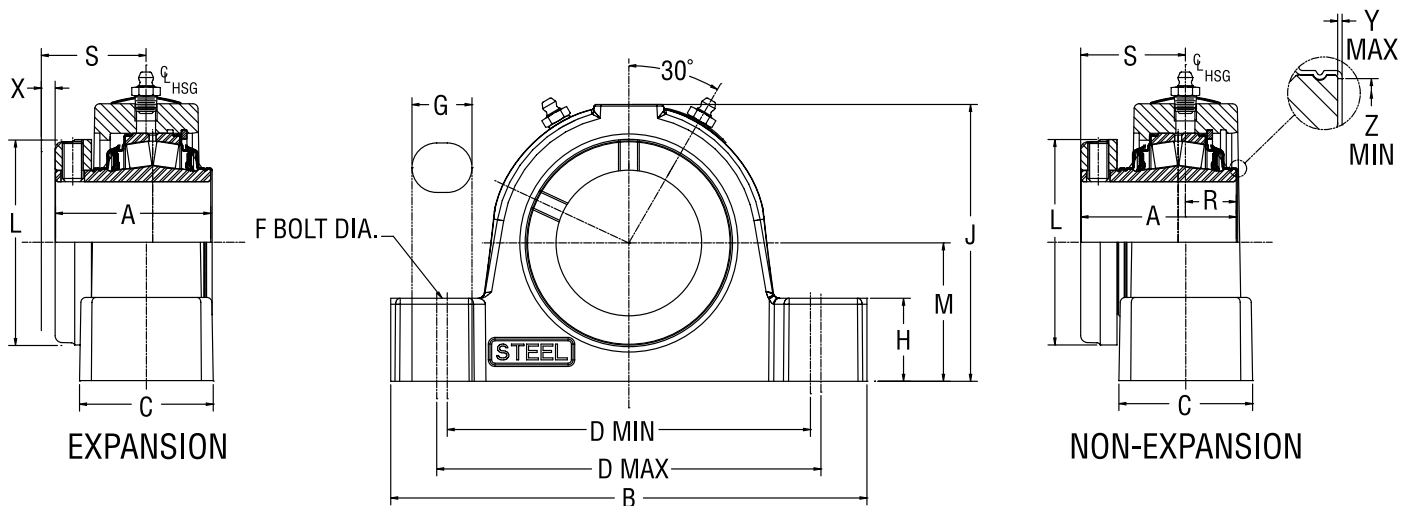
- (1) The pillow block base bolts must be of high strength (Grade 8) bolts and properly tightened to mounting structure.
- (2) Stop bars (shear strips) should be used against the plummer block where side loads are encountered.
- (3) In all cases where loads are heavy, the L<sub>10</sub> life of the bearing should be checked for proper selection and life requirements.,

\*\* Imperial - Type E Dimensional Housing

# DIMENSIONS



## Steel S2000-HD Pillow Block 2 Bolt



Shaft Size	Dodge Non-Expansion		Dodge Expansion	
	Part No.	Description	Part No.	Description
1-3/8	<b>071790</b>	SP2B-S2-106R	<b>071804</b>	SP2B-S2-106RE
1-7/16	<b>071791</b>	SP2B-S2-107R	<b>071805</b>	SP2B-S2-107RE
1-1/2	<b>071792</b>	SP2B-S2-108R	<b>071806</b>	SP2B-S2-108RE
1-11/16	<b>071793</b>	SP2B-S2-111R	<b>071807</b>	SP2B-S2-111RE
1-3/4	<b>071794</b>	SP2B-S2-112R	<b>071808</b>	SP2B-S2-112RE
1-15/16	<b>071795</b>	SP2B-S2-115R	<b>071809</b>	SP2B-S2-115RE
2	<b>071796</b>	SP2B-S2-200R	<b>071810</b>	SP2B-S2-200RE
2-3/16	<b>071797</b>	SP2B-S2-203R	<b>071811</b>	SP2B-S2-203RE
2-7/16	<b>071798</b>	SP2B-S2-207R	<b>071812</b>	SP2B-S2-207RE
2-11/16	<b>071799</b>	SP2B-S2-211R	<b>071813</b>	SP2B-S2-211RE
2-15/16	<b>071800</b>	SP2B-S2-215R	<b>071814</b>	SP2B-S2-215RE
3	<b>071801</b>	SP2B-S2-300R	<b>071815</b>	SP2B-S2-300RE
3-7/16	<b>071802</b>	SP2B-S2-307R	<b>071816</b>	SP2B-S2-307RE
3-15/16	<b>071803</b>	SP2B-S2-315R	<b>071817</b>	SP2B-S2-315RE

Shaft Size	A	B	C	D		F Bolt Dia.	G	H	J	L	M	R	S	"X Total Exp"	Y	Z
				Min	Max											
1-3/8																
1-7/16	2.53	6.88	2.25	4.69	6.00	1/2	1.28	1.13	3.88	2.75	1.875	0.86	1.67	3/16	0.020	1.80
1-1/2																
1-11/16	2.67	7.13	2.37	5.25	5.75	1/2	0.88	1.25	4.27	3.19	2.125	0.91	1.76	1/4	0.020	2.08
1-3/4																
1-15/16	2.84	8.38	2.44	5.93	6.36	5/8	0.97	1.31	4.56	3.44	2.25	0.89	1.95	1/4	0.020	2.30
2																
2-3/16	2.94	8.88	2.50	6.50	7.00	5/8	1.04	1.50	5.00	3.75	2.50	0.99	1.95	1/4	0.025	2.59
2-7/16	3.00	9.25	2.90	6.81	7.43	5/8	1.07	1.63	5.60	4.06	2.75	1.17	2.03	1/4	0.025	2.94
2-11/16																
2-15/16	3.59	10.44	2.91	7.70	8.40	3/4	1.23	1.88	6.38	4.70	3.25	1.11	2.48	1/4	0.025	3.47
3																
3-7/16	4.02	13.00	3.41	9.25	10.75	7/8	1.75	2.25	7.50	5.50	3.75	1.43	2.61	1/4	0.025	4.05
3-15/16	4.47	14.25	3.89	10.04	12.6	1	2.40	2.44	8.37	6.00	4.25	1.59	2.91	5/16	0.025	4.50

"A" & "R" Dimensions Do Not Include "Y" Dimension

ULTRA KLEEN

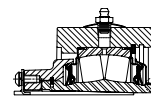
E-Z KLEEN

EXTREME DUTY

IMPERIAL-HD

S2000-HD

PART NUMBER INDEX



**DIMENSIONS**

**Steel S2000-HD Pillow Block 2 Bolt With Type E Dimensions**

ULTRA KLEEN

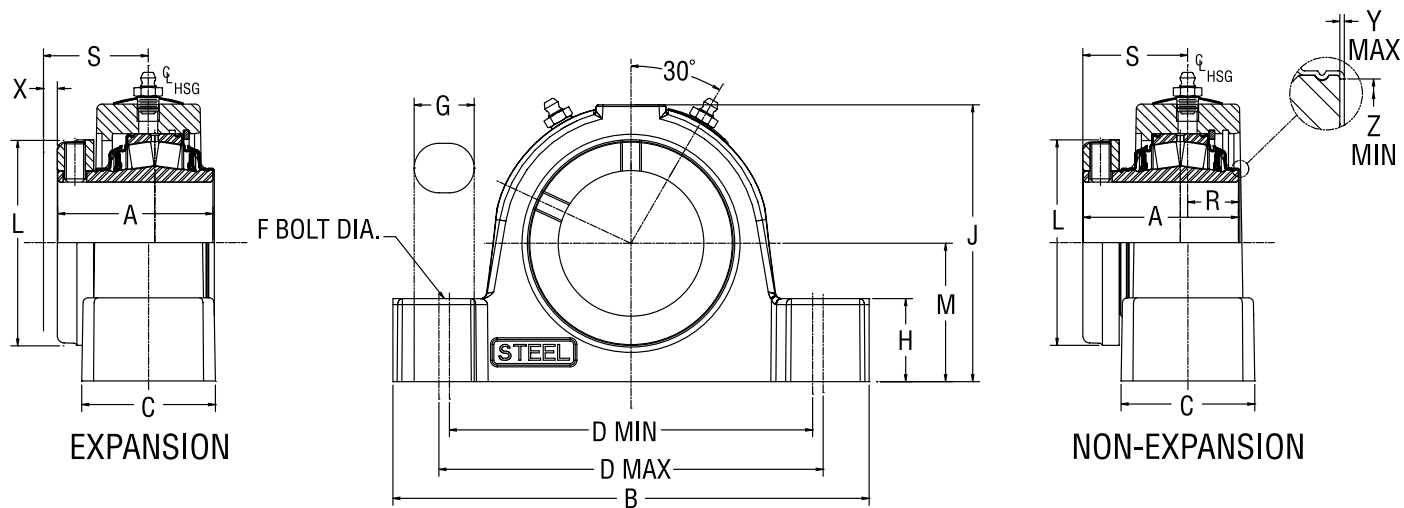
E-Z KLEEN

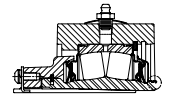
EXTREME DUTY

IMPERIAL-HD

S2000-HD

PART NUMBER INDEX



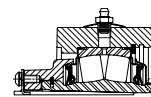


**Steel S2000-HD Pillow Block 2 Bolt With Type E Dimensions**

Shaft Size	Dodge Non-Expansion		Dodge Expansion	
	Part No.	Description	Part No.	Description
1-3/8	<b>071940</b>	SEP2B-S2-106R	<b>071951</b>	SEP2B-S2-106RE
1-7/16	<b>071941</b>	SEP2B-S2-107R	<b>071952</b>	SEP2B-S2-107RE
1-11/16	<b>071942</b>	SEP2B-S2-111R	<b>071953</b>	SEP2B-S2-111RE
1-15/16	<b>071943</b>	SEP2B-S2-115R	<b>071954</b>	SEP2B-S2-115RE
2	<b>071944</b>	SEP2B-S2-200R	<b>071955</b>	SEP2B-S2-200RE
2-3/16	<b>071945</b>	SEP2B-S2-203R	<b>071956</b>	SEP2B-S2-203RE
2-7/16	<b>071946</b>	SEP2B-S2-207R	<b>071957</b>	SEP2B-S2-207RE
2-11/16	<b>071947</b>	SEP2B-S2-211R	<b>071958</b>	SEP2B-S2-211RE
2-15/16	<b>071948</b>	SEP2B-S2-215R	<b>071959</b>	SEP2B-S2-215RE
3	<b>071949</b>	SEP2B-S2-300R	<b>071960</b>	SEP2B-S2-300RE
3-7/16	<b>071950</b>	SEP2B-S2-307R	<b>071961</b>	SEP2B-S2-307RE

Shaft Size	A	B	C	D		F Bolt Dia	G	H	J	L	M	R	S	X Total Exp	Y	Z	Set Screw Size	SS Torque In/lbs
				Min	Max													
1-3/8 1-7/16	2.53	6.88	2.25	4.69	5.88	1/2	1.22	1.13	3.84	2.55	1.875	1.03	1.50	0.16	0.020	1.80	5/16-18	165
1-11/16	2.67	7.88	2.38	5.70	6.50	1/2	1.02	1.25	4.26	3.01	2.125	0.98	1.69	0.19	0.020	2.08	5/16-18	165
1-15/16 2	2.84	8.88	2.44	6.00	7.12	5/8	1.32	1.31	4.47	3.26	2.250	1.08	1.76	0.22	0.020	2.30	3/8-16	290
2-3/16	2.94	9.63	2.50	6.50	7.88	5/8	1.45	1.50	5.00	3.50	2.500	1.06	1.88	0.25	0.025	2.60	3/8-16	290
2-7/16 2-11/16	3.20	10.25	2.90	6.88	8.62	5/8	1.63	1.63	5.71	3.86	2.750	1.20	2.00	0.25	0.025	2.95	3/8-16	290
2-15/16 3	3.59	11.63	2.91	7.88	9.62	3/4	1.75	1.88	6.32	4.61	3.125	1.34	2.25	0.25	0.025	3.47	1/2-13	620
3-7/16	4.01	13.50	3.41	9.38	11.25	7/8	1.94	2.25	7.69	5.50	3.750	1.51	2.50	0.25	0.025	4.05	1/2-13	620

"A" & "R" Dimensions Do Not Include "Y" Dimension



**DIMENSIONS**

**Steel S2000-HD Pillow Block 4 Bolt**

ULTRA KLEEN

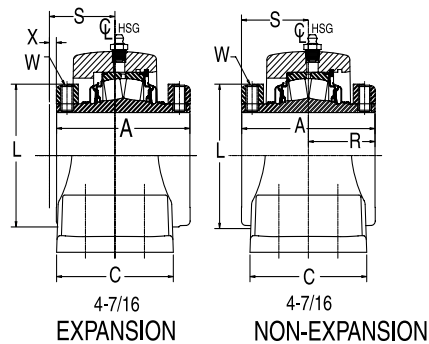
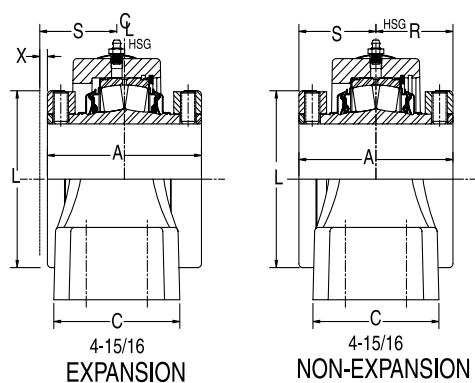
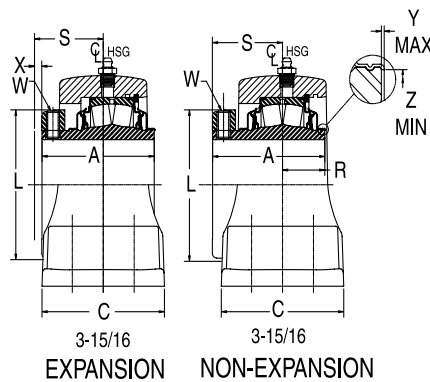
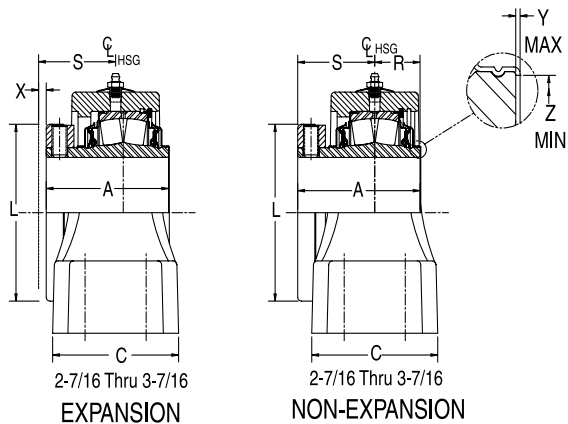
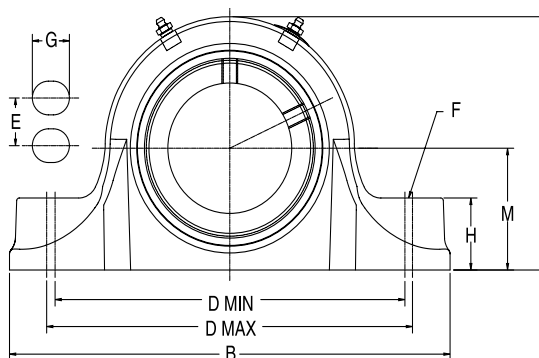
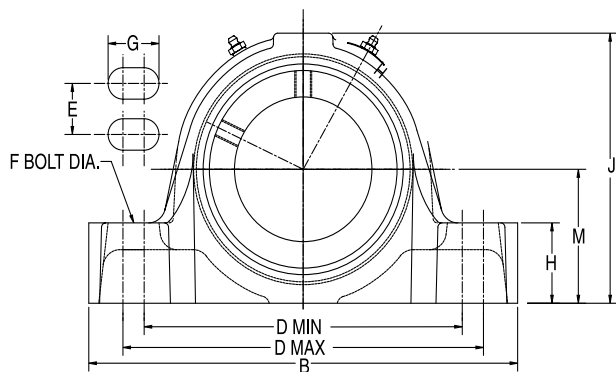
E-Z KLEEN

EXTREME DUTY

IMPERIAL-HD

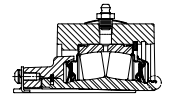
S2000-HD

PART NUMBER INDEX





# DIMENSIONS



## Steel S2000-HD Pillow Block 4 Bolt

ULTRA KLEEN

E-Z KLEEN

EXTREME DUTY

IMPERIAL-HD

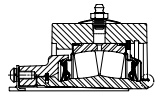
S2000-HD

PART NUMBER INDEX

Shaft Size	Dodge Non-Expansion		Dodge Expansion	
	Dodge Part No.	Description	Dodge Part No.	Description
2-7/16	<b>071821</b>	SP4B-S2-207R	<b>071832</b>	SP4B-S2-207RE
2-11/16	<b>071822</b>	SP4B-S2-211R	<b>071833</b>	SP4B-S2-211RE
2-15/16	<b>071823</b>	SP4B-S2-215R	<b>071834</b>	SP4B-S2-215RE
3	<b>071824</b>	SP4B-S2-300R	<b>071835</b>	SP4B-S2-300RE
3-7/16	<b>071825</b>	SP4B-S2-307R	<b>071836</b>	SP4B-S2-307RE
3-15/16	<b>071826</b>	SP4B-S2-315R	<b>071837</b>	SP4B-S2-315RE
4-7/16	<b>071827</b>	SP4B-S2-407R	<b>071838</b>	SP4B-S2-407RE
4-15/16	<b>071828</b>	SP4B-S2-415R	<b>071839</b>	SP4B-S2-415RE

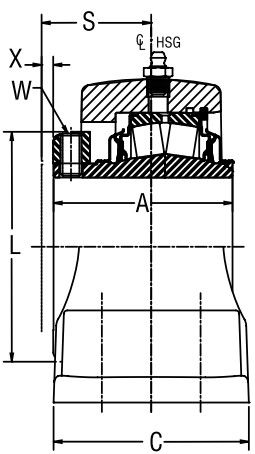
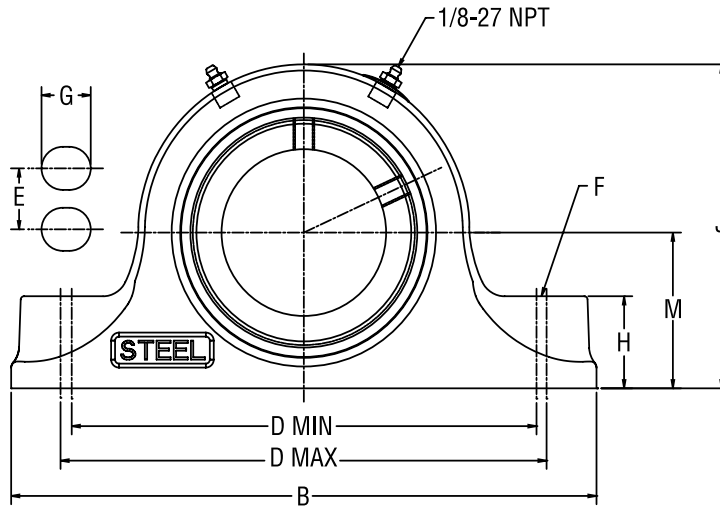
Shaft Size	A	B	C	D		E	F Bolt Dia.	G	H	J	L	M	R	S	X Total Exp	Y	Z
				Min	Max												
2-7/16 2-11/16	3.20	9.25	3.00	6.88	7.63	1.75	1/2	1.06	1.63	5.61	4.06	2.75	1.19	2.90	1/4	0.025	2.94
2-15/16 3	3.59	10.44	3.13	7.60	9.10	1.88	5/8	1.43	1.88	6.44	4.70	3.00	1.14	2.46	1/4	0.025	3.47
3-7/16	4.02	12.30	3.75	8.88	10.88	2.00	3/4	1.88	2.25	7.56	5.50	3.75	1.48	2.54	1/4	0.025	4.05
3-15/16	4.47	14.88	4.31	10.88	13.38	2.25	3/4	2.13	2.44	8.70	6.00	4.25	1.25	3.22	5/16	0.025	4.50
4-7/16	6.53	16.13	4.75	11.88	14.5	2.50	3/4	2.19	2.75	9.67	6.45	4.75	2.87	3.66	3/8	0.036	5.00
4-15/16	6.91	17.50	5.03	15.13	15.88	2.75	7/8	1.37	3.00	11.12	7.45	5.50	3.35	3.56	3/8	0.036	5.84

"A" & "R" Dimensions Do Not Include "Y" Dimension

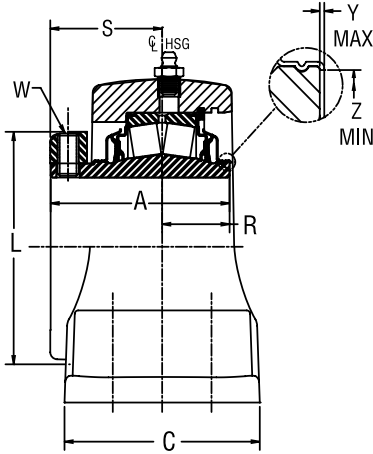


**DIMENSIONS**

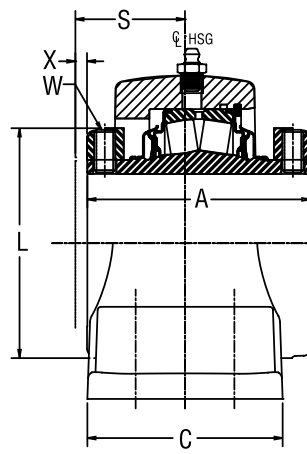
**Steel S2000-HD Pillow Block 4 Bolt With Type E Dimensions**



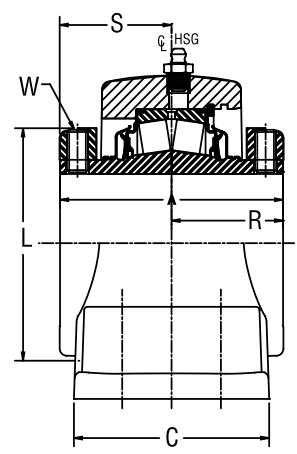
2-7/16 THRU 3-15/16  
CONSTRUCTION  
EXPANSION



2-7/16 THRU 3-15/16  
CONSTRUCTION  
NON-EXPANSION



4-7/16 THRU 4-15/16  
CONSTRUCTION  
EXPANSION



4-7/16 THRU 4-15/16  
CONSTRUCTION  
NON-EXPANSION

ULTRA KLEEN

E-Z KLEEN

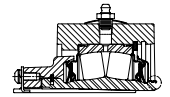
EXTREME DUTY

IMPERIAL-HD

S2000-HD

PART NUMBER INDEX

# DIMENSIONS



ULTRA KLEEN

E-Z KLEEN

EXTREME DUTY

IMPERIAL-HD

S2000-HD

PART NUMBER INDEX

## Steel S2000-HD Pillow Block 4 Bolt With Type E Dimensions

Shaft Size	Dodge Non-Expansion		Dodge Expansion	
	Dodge Part No.	Description	Dodge Part No.	Description
2-7/16	<b>071962</b>	SEP4B-S2-207R	<b>071970</b>	SEP4B-S2-207RE
2-11/16	<b>071963</b>	SEP4B-S2-211R	<b>071971</b>	SEP4B-S2-211RE
2-15/16	<b>071964</b>	SEP4B-S2-215R	<b>071972</b>	SEP4B-S2-215RE
3	<b>071965</b>	SEP4B-S2-300R	<b>071973</b>	SEP4B-S2-300RE
3-7/16	<b>071966</b>	SEP4B-S2-307R	<b>071974</b>	SEP4B-S2-307RE
3-15/16	<b>071967</b>	SEP4B-S2-315R	<b>071975</b>	SEP4B-S2-315RE
4-7/16	<b>071968</b>	SEP4B-S2-407R	<b>071976</b>	SEP4B-S2-407RE
4-15/16	<b>071969</b>	SEP4B-S2-415R	<b>071977</b>	SEP4B-S2-415RE

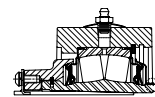
Shaft Size	A	B	C	D Min	D Max	E	F Bolt Dia	G	H
2-7/16	3.20	10.25	3.25	7.13	8.75	1.88	5/8	1.57	1.63
2-11/16									
2-15/16	3.59	10.83	3.38	8.00	9.60	2.12	5/8	1.56	1.88
3									
3-7/16	4.01	13.63	3.75	9.25	11.25	2.38	3/4	1.88	2.25
3-15/16	4.47	14.88	4.31	10.88	13.88	2.25	3/4	2.13	2.44
4-7/16	6.53	16.13	4.75	11.88	14.50	2.50	3/4	2.19	2.75
4-15/16	6.91	17.50	5.04	15.13	15.88	2.88	7/8	1.38	3.00

"A" & "R" Dimensions Do Not Include "Y" Dimension

# Reference Dimension Only

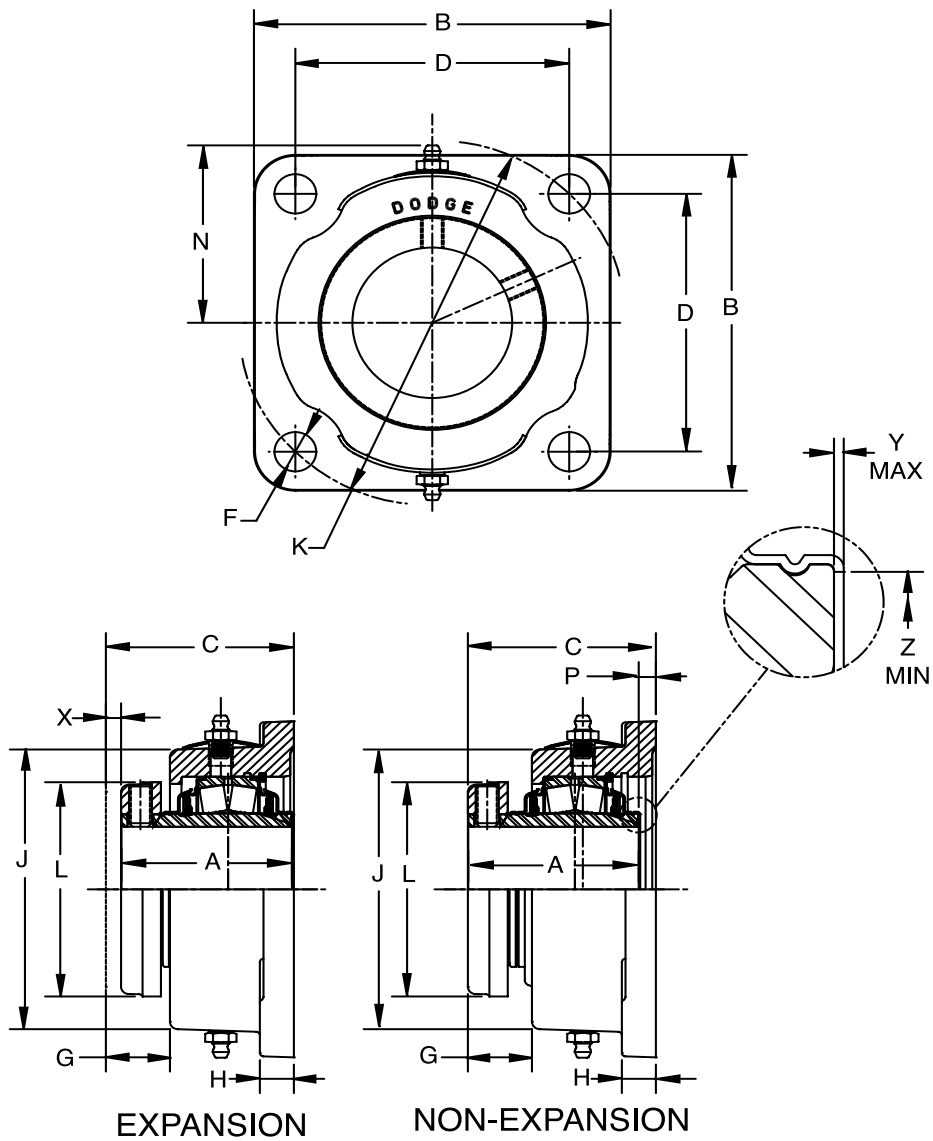
Shaft Size	J	L	M	R	S	X Total Exp	Y	Z	Set Screw Size	Ss Torque In/Lbs
2-7/16	5.71	3.86	2.750	1.20	2.00	0.25	0.025	2.94	3/8	290
2-11/16										
2-15/16	6.32	4.61	3.125	1.34	2.25	0.25	0.025	3.47	1/2	620
3										
3-7/16	7.69	5.50	3.750	1.51	2.50	0.25	0.025	4.05	1/2	620
3-15/16	8.70	6.00	4.250	1.25	3.22	0.31	0.025	4.50	5/8	1325
4-7/16	9.67	6.45	4.750	2.87	3.66	0.38	0.036	5.00	5/8	1325
4-15/16	11.16	7.45	5.500	3.29	3.62	0.38	N/A	N/A	5/8	1325

"A" & "R" Dimensions Do Not Include "Y" Dimension



**DIMENSIONS**

**Steel S2000-HD Flange 4 Bolt**



ULTRA KLEEN

E-Z KLEEN

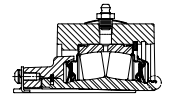
EXTREME DUTY

IMPERIAL-HD

S2000-HD

PART NUMBER INDEX

# DIMENSIONS



## Steel S2000-HD Flange 4 Bolt

Shaft Size	Dodge Non-Expansion		Dodge Expansion	
	Dodge Part No.	Description	Dodge Part No.	Description
1-3/8	<b>072386</b>	SF4S-S2-106R	<b>072400</b>	SF4S-S2-106RE
1-7/16	<b>072387</b>	SF4S-S2-107R	<b>072401</b>	SF4S-S2-107RE
1-1/2	<b>072388</b>	SF4S-S2-108R	<b>072402</b>	SF4S-S2-108RE
1-11/16	<b>072389</b>	SF4S-S2-111R	<b>072403</b>	SF4S-S2-111RE
1-3/4	<b>072390</b>	SF4S-S2-112R	<b>072404</b>	SF4S-S2-112RE
1-15/16	<b>072391</b>	SF4S-S2-115R	<b>072405</b>	SF4S-S2-115RE
2	<b>072392</b>	SF4S-S2-200R	<b>072406</b>	SF4S-S2-200RE
2-3/16	<b>072393</b>	SF4S-S2-203R	<b>072407</b>	SF4S-S2-203RE
2-7/16	<b>072394</b>	SF4S-S2-207R	<b>072408</b>	SF4S-S2-207RE
2-11/16	<b>072395</b>	SF4S-S2-211R	<b>072409</b>	SF4S-S2-211RE
2-15/16	<b>072396</b>	SF4S-S2-215R	<b>072410</b>	SF4S-S2-215RE
3	<b>072397</b>	SF4S-S2-300R	<b>072411</b>	SF4S-S2-300RE
3-7/16	<b>072398</b>	SF4S-S2-307R	<b>072412</b>	SF4S-S2-307RE
3-15/16	<b>072399</b>	SF4S-S2-315R	<b>072413</b>	SF4S-S2-315RE

Shaft Size	A	B	C	D	F Bolt Dia.	G	H	J	K	L	N	P	X Total Exp	Y	Z
1-3/8															
1-7/16	2.53	4.62	2.77	3.54	1/2	0.76	0.88	3.70	5.00	2.75	2.25	0.24	3/16	0.02	1.80
1-1/2															
1-11/16	2.67	5.37	2.87	3.89	1/2	0.77	0.88	4.41	5.50	3.19	2.62	0.20	1/4	0.02	2.08
1-3/4															
1-15/16	2.84	5.18	3.16	4.07	1/2	0.91	0.91	4.66	5.75	3.44	2.75	0.32	1/4	0.02	2.30
2															
2-3/16	2.94	5.87	3.16	4.51	5/8	0.83	0.75	5.03	6.38	3.75	2.93	0.22	1/4	0.02	2.59
2-7/16	3.20	6.18	3.34	4.77	5/8	0.72	1.00	5.63	6.75	4.06	3.23	0.14	1/4	0.025	2.94
2-11/16															
2-15/16	3.59	7.18	3.87	5.57	3/4	1.04	1.06	6.51	7.88	4.70	3.75	0.28	1/4	0.025	3.47
3															
3-7/16	4.00	8.37	4.11	6.72	3/4	0.78	1.28	7.49	9.50	5.50	4.17	0.11	1/4	0.025	4.05
3-15/16	4.48	9.49	4.84	7.60	1	0.85	1.50	8.22	10.75	6.00	4.68	0.36	5/32	0.025	4.50

"P" Dimension Is For Non-Expansion Only

"A" & "P" Dimensions Do Not Include "Y" Dimension

ULTRA KLEEN

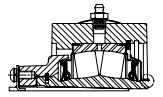
E-Z KLEEN

EXTREME DUTY

IMPERIAL-HD

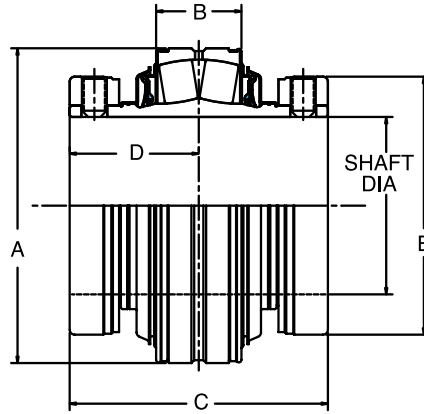
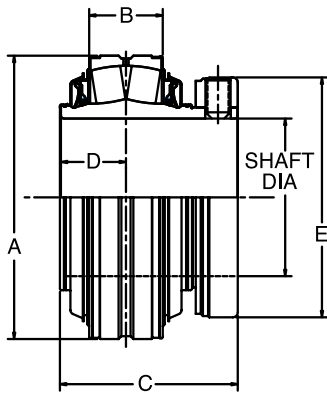
S2000-HD

PART NUMBER INDEX



**S-2000 Bearing Insert**

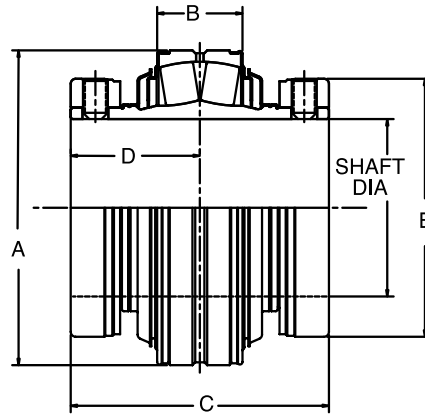
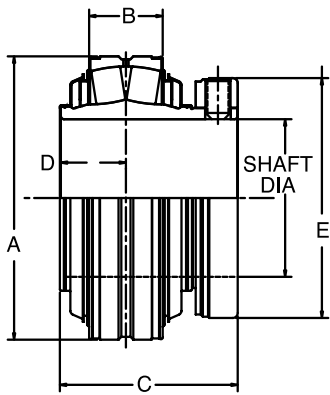
**TRIDENT SEAL**



1-3/8 THRU 3-15/16" CONSTRUCTION

4-7/16 THRU 4-15/16" CONSTRUCTION

**LABYRINTH SEAL**



1-3/8 THRU 3-15/16" CONSTRUCTION

4-7/16 THRU 4-15/16" CONSTRUCTION

ULTRA KLEEN

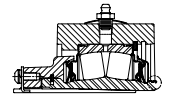
E-Z KLEEN

EXTREME DUTY

IMPERIAL-HD

S2000-HD

PART NUMBER INDEX



**S-2000 Bearing Insert**

ULTRA KLEEN

E-Z KLEEN

EXTREME DUTY

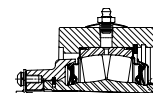
IMPERIAL-HD

S2000-HD

PART NUMBER INDEX

Bearing	Shaft Size	Trident Seal		Labyrinth Seal	
		Part Number	Part Name	Part Number	Part Name
22208	1-3/8	<b>070000</b>	INS-S2-106R	<b>070016</b>	INS-S2-106L
	1-7/16	<b>070001</b>	INS-S2-107R	<b>070017</b>	INS-S2-107L
	1-1/2	<b>070002</b>	INS-S2-108R	<b>070018</b>	INS-S2-108L
22209	1-11/16	<b>070003</b>	INS-S2-111R	<b>070019</b>	INS-S2-111L
	1-3/4	<b>070004</b>	INS-S2-112R	<b>070020</b>	INS-S2-112L
22210	1-15/16	<b>070005</b>	INS-S2-115R	<b>070021</b>	INS-S2-115L
	2	<b>070006</b>	INS-S2-200R	<b>070022</b>	INS-S2-200L
22211	2-3/16	<b>070007</b>	INS-S2-203R	<b>070023</b>	INS-S2-203L
22213	2-7/16	<b>070008</b>	INS-S2-207R	<b>070024</b>	INS-S2-207L
22215	2-11/16	<b>070009</b>	INS-S2-211R	<b>070025</b>	INS-S2-211L
	2-15/16	<b>070010</b>	INS-S2-215R	<b>070026</b>	INS-S2-215L
	3	<b>070011</b>	INS-S2-300R	<b>070027</b>	INS-S2-300L
22218	3-7/16	<b>070012</b>	INS-S2-307R	<b>070028</b>	INS-S2-307L
22220	3-15/16	<b>070013</b>	INS-S2-315R	<b>070029</b>	INS-S2-315L
22222	4-7/16	<b>070014</b>	INS-S2-407R	<b>070030</b>	INS-S2-407L
22226	4-15/16	<b>070015</b>	INS-S2-415R	<b>070031</b>	INS-S2-415L

Shaft Size	A	B	C	D	E
1-3/8					
1-7/16	3.150	61/64	2-17/32	0.970	2-21/32
1-1/2					
1-11/16	3.346	61/64	2-21/32	0.954	3-3/32
1-3/4					
1-15/16	3.543	61/64	2-27/32	0.977	3-11/32
2					
2-3/16	3.937	1-3/64	2-15/16	1.050	3-21/32
2-7/16	4.724	1-9/32	3-13/64	1.208	3-31/32
2-11/16					
2-15/16	5.118	1-9/32	3-19/32	1.219	4-5/8
3					
3-7/16	6.299	1-5/8	4	1.483	5-1/2
3-15/16	7.087	1-7/8	4-31/64	1.646	6
4-7/16	7.874	2-5/32	6-17/32	3.266	6-29/64
4-15/16	9.055	2-19/32	6-29/32	3.453	7-29/64



# DIMENSIONS

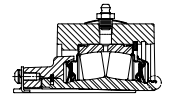
## Steel S2000-HD Open End Covers



Shaft Size	Front End				Backside			
	S2000		E-S2000		S2000		E-S2000	
	Dodge Part No.	Description	Dodge Part No.	Description	Dodge Part No.	Description	Dodge Part No.	Description
1-3/8	<b>070240</b>	S2ECO-08-106	<b>070240</b>	S2ECO-08-106	<b>072503</b>	S2IPBECO-08-106	<b>072503</b>	S2IPBECO-08-106
1-7/16	<b>070241</b>	S2ECO-08-107	<b>070241</b>	S2ECO-08-107	<b>072504</b>	S2IPBECO-08-107	<b>072504</b>	S2IPBECO-08-107
1-1/2	<b>070242</b>	S2ECO-08-108	<b>070242</b>	S2ECO-08-108	<b>072505</b>	S2IPBECO-08-108	<b>072506</b>	ES2IPBECO-09-108
1-11/16	<b>070243</b>	S2ECO-09-111	<b>070243</b>	S2ECO-09-111	<b>072508</b>	S2IPBECO-09-111	<b>072508</b>	S2IPBECO-09-111
1-3/4	<b>070244</b>	S2ECO-09-112	<b>070244</b>	S2ECO-09-112	<b>072509</b>	S2IPBECO-09-112	<b>072510</b>	ES2IPBECO-10-112
1-15/16	<b>070245</b>	S2ECO-10-115	<b>070245</b>	S2ECO-10-115	<b>072512</b>	S2IPBECO-10-115	<b>072512</b>	S2IPBECO-10-115
2	<b>070246</b>	S2ECO-10-200	<b>070246</b>	S2ECO-10-200	<b>072513</b>	S2IPBECO-10-200	<b>072513</b>	S2IPBECO-10-200
2-3/16	<b>070247</b>	S2ECO-11-203	<b>070247</b>	S2ECO-11-203	<b>072514</b>	S2IPBECO-11-203	<b>072514</b>	S2IPBECO-11-203
2-7/16	<b>070178</b>	S2IPECO-13-207	<b>070178</b>	S2IPECO-13-207	<b>072518</b>	S2IPBECO-13-207	<b>072518</b>	S2IPBECO-13-207
2-11/16	<b>070248</b>	S2ECO-15-211	<b>070248</b>	S2ECO-15-211	<b>072520</b>	S2IPBECO-15-211	<b>072520</b>	S2IPBECO-15-211
2-15/16	<b>070249</b>	S2ECO-15-215	<b>070249</b>	S2ECO-15-215	<b>072522</b>	S2IPBECO-15-215	<b>072522</b>	S2IPBECO-15-215
3	<b>070250</b>	S2ECO-15-300	<b>070250</b>	S2ECO-15-300	<b>072523</b>	S2IPBECO-15-300	<b>072523</b>	S2IPBECO-15-300
3-7/16	<b>070186</b>	S2IPECO-18-307	<b>070186</b>	S2IPECO-18-307	<b>072526</b>	S2IPBECO-18-307	<b>072526</b>	S2IPBECO-18-307
3-15/16	<b>070189</b>	S2IPECO-20-315	<b>070189</b>	S2IPECO-20-315	<b>072529</b>	S2IPBECO-20-315	<b>072529</b>	S2IPBECO-20-315
4-7/16	<b>070191</b>	S2IPECO-22-407	<b>070191</b>	S2IPECO-22-407	<b>072532</b>	S2BECO-22-407	<b>072532</b>	S2BECO-22-407
4-15/16	<b>070193</b>	S2IPECO-26-415	<b>070193</b>	S2IPECO-26-415	<b>072535</b>	S2BECO-26-415	<b>072535</b>	S2BECO-26-415



# DIMENSIONS



## Steel S2000-HD Closed End Covers



Shaft Size	S2000		E-S2000	
	Dodge Part No.	Description	Dodge Part No.	Description
1-3/8 to 1-1/2	<b>069970</b>	S2EC08	<b>069960</b>	IPEC08
1-11/16 to 1-3/4	<b>069971</b>	S2EC09	<b>069961</b>	IPEC09
1-15/16 to 2	<b>069972</b>	S2EC10	<b>069962</b>	IPEC10
2-3/16	<b>069973</b>	S2EC11	<b>069963</b>	IPEC11
2-7/16	<b>069964</b>	S2EC13	<b>069964</b>	IPEC13
2-11/16 to 3	<b>069975</b>	S2EC15	<b>069965</b>	IPEC15
3-7/16	<b>069966</b>	S2IPEC18	<b>069966</b>	S2IPEC18
3-15/16	<b>069967</b>	S2IPEC20	<b>069967</b>	S2IPEC20
4-7/16	<b>069968</b>	S2IPEC22	<b>069968</b>	S2IPEC22
4-15/16	<b>069969</b>	S2IPEC26	<b>069969</b>	S2IPEC26

ULTRA KLEEN

E-Z KLEEN

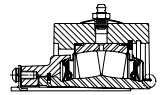
EXTREME DUTY

IMPERIAL-HD

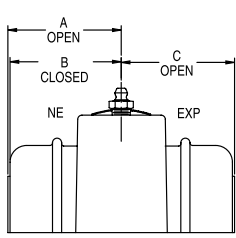
S2000-HD

PART NUMBER INDEX

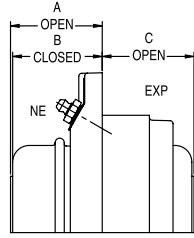
# DIMENSIONS



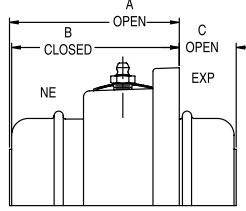
## S2000-HD End Cover



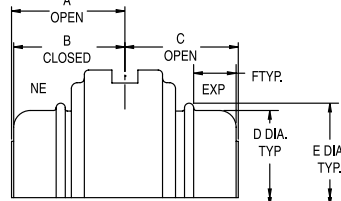
PILLOW BLOCK



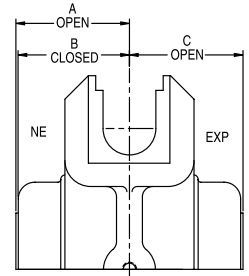
PILOTED FLANGE



FLANGE

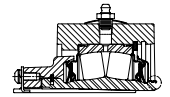


WS TAKE-UP



TPHU TAKE-UP

	Shaft Size	S2000 Pillow Block (2 Bolt)	S2000 Pillow Block (4 Bolt)	*E-S2000 Pillow Block (2 Bolt)	*E-S2000 Pillow Block (2 Bolt)	S2000 Piloted Flange	*E-S2000 Piloted Flange	S2000 Round Flange	S2000 Square Flange	*E-S2000 Square Flange	Wide Slot Take-Up	Top Angle Take-Up	D	E	F
A OPEN	1-3/8	2.03		2.03		1.67	1.67	3.12	3.45	3.45	2.06				
B CLOSED	1-7/16	1.97	N/A	1.97	N/A	1.61	1.61	3.06	3.39	3.39	2.00	N/A	2-15/16	3-3/16	3/4
C OPEN	1-1/2	2.11		2.11		2.46	2.46	0.99	0.99	1.20	2.10				
A OPEN		2.22		2.22		1.83	1.83	3.33	4.07	4.07	2.19				
B CLOSED	1-11/16	2.16	N/A	2.16	N/A	1.77	1.77	3.27	4.01	4.01	2.13	N/A	3-17/64	3-25/64	7/8
C OPEN		2.25		2.25		2.60	2.60	1.10	1.10	1.20	2.25				
A OPEN		2.22		2.22		1.83	1.83	3.33	4.07	4.07	2.19				
B CLOSED	1-3/4	2.16	N/A	2.16	N/A	1.77	1.77	3.27	4.01	4.01	2.13	N/A	3-17/64	3-25/64	7/8
C OPEN		2.25		2.25		2.60	2.60	1.10	1.10	1.20	2.25				
A OPEN	1-15/16	2.31	2.31	2.31		1.92	1.92	3.47	3.95	3.95	2.25	2.31			
B CLOSED	THRU	2.25	2.25	2.25	N/A	1.86	1.86	3.41	3.89	3.89	2.19	2.25	3-33/64	3-39/64	1-1/64
C OPEN	2	2.45	2.45	2.45		2.83	2.83	1.28	1.28	1.38	2.45	2.43			
A OPEN		2.47	2.47	2.47		2.00	2.00	3.69	4.53	4.53	2.42	2.47			
B CLOSED	2-3/16	2.41	2.41	2.41	N/A	1.94	1.94	3.63	4.47	4.47	2.36	2.40	3-49/64	3-61/64	1-1/32
C OPEN		2.54	2.54	2.54		3.00	3.00	1.32	1.32	1.40	2.54	2.54			
A OPEN		2.53	2.53	2.53	2.53	2.18	2.18	4.04	4.72	4.72	2.53	2.70			
B CLOSED	2-7/16	2.44	2.44	2.44	2.44	2.09	2.09	3.95	4.63	4.63	2.44	2.61	4-13/32	4-41/64	1
C OPEN		2.77	2.77	2.77	2.77	3.24	3.24	1.37	1.37	2.77	2.77	2.72			
A OPEN	2-11/16	2.65	2.65	2.65	2.65	2.29	2.29	4.18	5.06	5.06	2.70	2.73			
B CLOSED	2-15/16	2.56	2.56	2.56	2.56	2.20	2.20	4.09	4.97	4.97	2.61	2.64	4-59/64	5-1/16	1-7/32
C OPEN	3	3.06	3.06	3.06	3.06	3.54	3.54	1.66	1.66	1.69	3.06	3.06			
A OPEN		3.07	3.07	3.07	3.07	2.91	2.91		5.78	5.78	3.07	3.07			
B CLOSED	3-7/16	2.94	2.94	2.94	2.94	2.78	2.78	N/A	5.65	5.65	2.94	2.94	5-63/64	6-7/32	1-1/8
C OPEN		3.31	3.31	3.31	3.31	3.59	3.59		1.63	1.66	3.31	3.31			
A OPEN		3.49	3.49		3.49	3.32	3.32		7.17	7.17	3.52	3.61			
B CLOSED	3-15/16	3.36	3.36	N/A	3.36	3.19	3.19	N/A	7.04	7.04	3.39	3.48	6-43/64	6-29/32	1-3/8
C OPEN		3.80	3.80		3.80	4.13	4.13		1.94	1.38	3.80	3.83			
A OPEN			3.96		3.91	4.02	3.85			7.62	3.97	3.96			
B CLOSED	4-7/16	N/A	3.83	N/A	3.78	3.89	3.72	N/A	N/A	7.49	3.84	3.83	7-5/16	7-9/16	1-43/64
C OPEN			4.23		4.23	4.16	4.68			2.06	4.23	4.23			
A OPEN			4.49		4.46	4.24	4.08				4.49	4.49			
B CLOSED	5	N/A	4.36	N/A	4.33	4.11	3.95	N/A	N/A	N/A	4.36	4.36	8-7/16	8-11/16	1-29/32
C OPEN			4.69		4.69	4.91	5.37				4.69	4.68			



**Type E, Type K, DOUBLE-INTERLOCK and TAF**

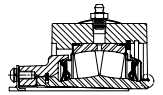
**Table 1 - E, K, DI, and TAF Tapered Roller Bearing Radial And Thrust Factors**

Shaft Size	E	FA/FR<E		FA/FR>E		Dynamic Capacity C90	Static Capacity Co	Maximum RPM	Maximum RPM	Maximum Allowable Slip Fit Radial Load, FR **, LBS	
		X	Y	X	Y	Lbs.	Lbs.	R-Seal	E-TECT	E, DI, & TAF	K
1-3/16 1-1/4	0.49	0.87	1.77	0.70	2.14	2,980	15,760	4,490	3,100	3,100	2,100
1-3/8 1-7/16	0.46	0.87	1.89	0.70	2.28	4,760	26,000	3,820	2,675	5,000	3,300
1-1/2 1-5/8 1-11/16	0.44	0.87	1.96	0.70	2.37	6,140	33,000	3,320	2,325	6,400	4,300
1-3/4 1-7/8 1-15/16 2	0.33	0.87	2.64	0.70	3.18	8,070	43,000	3,050	2,135	8,400	5,600
2-3/16 2-1/4 2-7/16 2-1/2	0.36	0.87	2.38	0.70	2.87	8,550	48,200	2,730	1,900	8,900	5,900
2-11/16 2-3/4 2-15/16 3	0.40	0.87	2.17	0.70	2.63	9,090	54,000	2,420	1,700	9,500	6,300
2-11/16 2-3/4 2-15/16 3	0.46	0.87	1.87	0.70	2.26	9,600	61,200	2,060	1,440	10,000	6,700
3-3/16 3-1/4 3-7/16 3-1/2	0.50	0.87	1.71	0.70	2.07	15,300	108,600	1,640	1,145	16,000	10,500
3-15/16 4	0.49	0.87	1.77	0.70	2.14	21,000	154,000	1,530	1,070	22,000	14,600
4-7/16 4-1/2	0.53	0.87	1.63	0.70	1.97	25,800	188,400	1,360	950	27,000	----
4-15/16 5	0.47	0.87	1.83	0.70	2.21	35,500	266,000	1,200	840	35,000	----
5-7/16 5-15/16 6	0.49	0.87	1.76	0.70	2.12	40,700	354,000	915	640	42,400	----
6-7/16 6-1/2 6-15/16 7	0.54	0.87	1.61	0.70	1.95	69,200	574,000	790	550	72,000	----

Comparing Spherical To Taper Roller Bearings: The dynamic capacity C (spherical) and C90 (taper) are not to the same base. To compare basic dynamic capacities, multiply C x .259 and compare to C90.

\* C90 - Dynamic capacity based on a rated life of 90 million revolutions or 3000 hours at 500 RPM.

\*\* If load exceeds maximum allowable slip fit radial load, (FR), line-to-line, to light press fit of shaft required. Application up to maximum slip fit radial load may be applied if recommended shaft tolerances are used.



**Type E, Type K, DOUBLE-INTERLOCK and TAF**

**Table 2 - Easy Selection Table Type E, K, DI and TAF**

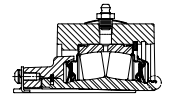
Shaft Size	L <sub>10</sub> Hours Life	Allowable Equivalent Radial Load (Lbs.) at various Revolutions Per Minute									
		50	100	150	250	500	790	915	1,200	1,360	1,530
1-3/16 1-1/4	10,000	4,143	3,365	2,980	2,557	2,077	1,810	1,732	1,597	1,538	1,485
	30,000	2,980	2,421	2,143	1,839	1,494	1,302	1,246	1,149	1,106	1,068
	40,000	2,734	2,220	1,966	1,687	1,370	1,194	1,143	1,054	1,015	980
	60,000	2,421	1,966	1,741	1,494	1,213	1,058	1,012	933	899	867
	100,000	2,077	1,687	1,494	1,281	1,041	907	868	800	771	744
1-3/8 1-7/16	10,000	6,618	5,376	4,760	4,084	3,317	2,892	2,767	2,551	2,457	2,372
	30,000	4,760	3,866	3,424	2,937	2,386	2,080	1,990	1,835	1,767	1,706
	40,000	4,366	3,547	3,140	2,694	2,188	1,908	1,826	1,683	1,621	1,565
	60,000	3,866	3,140	2,781	2,386	1,938	1,689	1,616	1,490	1,435	1,385
	100,000	3,317	2,694	2,386	2,047	1,662	1,449	1,387	1,278	1,231	1,189
1-1/2 1-5/8 1-11/16	10,000	8,537	6,934	6,140	5,268	4,279	3,730	3,569	3,290	3,169	3,059
	30,000	6,140	4,987	4,416	3,789	3,077	2,683	2,567	2,366	2,279	2,200
	40,000	5,632	4,575	4,051	3,475	2,823	2,461	2,355	2,171	2,091	2,018
	60,000	4,987	4,051	3,587	3,077	2,500	2,179	2,085	1,922	1,851	1,787
	100,000	4,279	3,475	3,077	2,640	2,144	1,869	1,789	1,649	1,588	1,533
1-3/4 1-7/8 1-15/16 2	10,000	11,220	9,114	8,070	6,923	5,624	4,902	4,691	4,325	4,165	4,021
	30,000	8,070	6,555	5,804	4,979	4,045	3,526	3,374	3,110	2,996	2,892
	40,000	7,403	6,013	5,324	4,568	3,710	3,234	3,095	2,853	2,748	2,653
	60,000	6,555	5,324	4,714	4,045	3,285	2,864	2,740	2,526	2,433	2,349
	100,000	5,624	4,568	4,045	3,470	2,818	2,457	2,351	2,167	2,088	2,015
2-3/16	10,000	11,888	9,656	8,550	7,335	5,958	5,194	4,970	4,582	4,413	4,260
	30,000	8,550	6,945	6,149	5,276	4,285	3,736	3,575	3,295	3,174	3,064
	40,000	7,843	6,371	5,641	4,839	3,931	3,427	3,279	3,023	2,911	2,810
	60,000	6,945	5,641	4,995	4,285	3,481	3,034	2,903	2,677	2,578	2,489
	100,000	5,958	4,839	4,285	3,676	2,986	2,603	2,491	2,296	2,212	2,135
2-1/4 2-7/16 2-1/2	10,000	12,639	10,266	9,090	7,798	6,334	5,522	5,284	4,871	4,692	4,529
	30,000	9,090	7,383	6,538	5,609	4,556	3,972	3,800	3,503	3,374	3,257
	40,000	8,338	6,773	5,997	5,145	4,179	3,643	3,486	3,214	3,095	2,988
	60,000	7,383	5,997	5,310	4,556	3,700	3,226	3,087	2,846	2,741	2,646
	100,000	6,334	5,145	4,556	3,908	3,175	2,768	2,648	2,441	2,351	2,270
2-11/16 2-3/4 2-15/16 3	10,000	13,348	10,842	9,600	8,236	6,690	5,832	5,580	5,145	4,955	4,783
	30,000	9,600	7,798	6,905	5,924	4,811	4,194	4,014	3,700	3,564	3,440
	40,000	8,806	7,153	6,334	5,434	4,414	3,848	3,682	3,394	3,269	3,156
	60,000	7,798	6,334	5,608	4,811	3,908	3,407	3,260	3,005	2,895	2,794
	100,000	6,690	5,434	4,811	4,128	3,353	2,923	2,797	2,578	2,483	2,397

For maximum RPM see Table 1 on page B5-9.

In the shaded area, E, DI and TAF mounted units require a line-to-line to light press fit of shaft

In the boxed area, Type K mounted units require a line-to-line to light press fit of shaft

# SELECTION



## Type E, Type K, DOUBLE-INTERLOCK and TAF

Table 2 (Continued) - Easy Selection Table Type E, K, DI and TAF

Shaft Size	L <sub>10</sub> Hours Life	Allowable Equivalent Radial Load (Lbs.) at various Revolutions Per Minute								
		1,640	1,750	2,060	2,420	2,730	3,050	3,320	3,820	4,490
1-3/16 1-1/4	10,000	1,454	1,426	1,358	1,294	1,248	1,207	1,177	1,128	1,075
	30,000	1,046	1,026	977	931	898	868	846	811	773
	40,000	959	941	896	854	823	796	776	744	709
	60,000	849	833	793	756	729	705	687	659	628
	100,000	729	715	681	648	625	605	590	565	539
1-3/8 1-7/16	10,000	2,323	2,278	2,169	2,067	1,993	1,928	1,880	1,802	
	30,000	1,670	1,638	1,560	1,486	1,434	1,387	1,352	1,296	
	40,000	1,532	1,503	1,431	1,364	1,315	1,272	1,240	1,189	
	60,000	1,357	1,331	1,267	1,207	1,165	1,126	1,098	1,053	
	100,000	1,164	1,142	1,087	1,036	999	966	942	903	
1-1/2 1-5/8 1-11/16	10,000	2,996	2,938	2,798	2,666	2,571	2,487	2,425		
	30,000	2,155	2,113	2,012	1,917	1,849	1,789	1,744		
	40,000	1,977	1,939	1,846	1,759	1,696	1,641	1,600		
	60,000	1,750	1,716	1,635	1,557	1,502	1,453	1,416		
	100,000	1,502	1,473	1,402	1,336	1,289	1,247	1,215		
1-3/4 1-7/8 1-15/16 2	10,000	3,938	3,862	3,677	3,504	3,379	3,269			
	30,000	2,832	2,777	2,645	2,520	2,431	2,351			
	40,000	2,598	2,548	2,426	2,312	2,230	2,157			
	60,000	2,300	2,256	2,148	2,047	1,974	1,910			
	100,000	1,974	1,935	1,843	1,756	1,694	1,638			
2-3/16	10,000	4,172	4,091	3,896	3,712	3,581				
	30,000	3,001	2,943	2,802	2,670	2,575				
	40,000	2,752	2,699	2,570	2,449	2,362				
	60,000	2,437	2,390	2,276	2,169	2,092				
	100,000	2,091	2,051	1,953	1,861	1,795				
2-1/4 2-7/16 2-1/2	10,000	4,435	4,350	4,142	3,947					
	30,000	3,190	3,129	2,979	2,839					
	40,000	2,926	2,870	2,733	2,604					
	60,000	2,591	2,541	2,420	2,306					
	100,000	2,223	2,180	2,076	1,978					
2-11/16 2-3/4 2-15/16 3	10,000	4,684	4,594	4,375						
	30,000	3,369	3,304	3,146						
	40,000	3,090	3,031	2,886						
	60,000	2,737	2,684	2,556						
	100,000	2,348	2,302	2,192						

For maximum RPM see Table 1 on page B5-9.

In the shaded area, E, DI and TAF mounted units require a line-to-line to light press fit of shaft

In the boxed area, Type K mounted units require a line-to-line to light press fit of shaft

ULTRA KLEEN

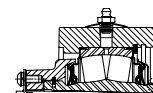
E-Z KLEEN

EXTREME DUTY

IMPERIAL-HD

S2000-HD

PART NUMBER INDEX



# SELECTION

## Type E, Type K, DOUBLE-INTERLOCK and TAF

Table 2 (Continued) - Easy Selection Table Type E, K, DI and TAF

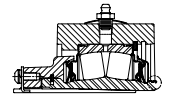
Shaft Size	L <sub>10</sub> Hours Life	Allowable Equivalent Radial Load (Lbs.) at various Revolutions Per Minute									
		50	100	150	250	500	790	915	1,200	1,360	1,530
3-3/16 3-1/4 3-7/16 3-1/2	10,000	21,273	17,279	15,300	13,126	10,662	9,295	8,894	8,199	7,897	7,623
	30,000	15,300	12,427	11,004	9,441	7,668	6,685	6,397	5,897	5,680	5,482
	40,000	14,035	11,400	10,094	8,660	7,034	6,132	5,868	5,409	5,210	5,029
	60,000	12,427	10,094	8,938	7,668	6,228	5,430	5,196	4,790	4,613	4,453
	100,000	10,662	8,660	7,668	6,579	5,344	4,658	4,458	4,109	3,958	3,820
3-15/16 4	10,000	29,198	23,716	21,000	18,016	14,634	12,757	12,207	11,254	10,839	10,463
	30,000	21,000	17,057	15,104	12,958	10,525	9,175	8,780	8,094	7,796	7,525
	40,000	19,264	15,647	13,855	11,886	9,655	8,417	8,054	7,425	7,151	6,903
	60,000	17,057	13,855	12,268	10,525	8,549	7,453	7,131	6,574	6,332	6,112
	100,000	14,634	11,886	10,525	9,030	7,334	6,394	6,118	5,640	5,432	5,244
4-7/16 4-1/2	10,000	35,872	29,137	25,800	22,134	17,979	15,673	14,998	13,826	13,316	
	30,000	25,800	20,956	18,556	15,919	12,931	11,273	10,787	9,944	9,577	
	40,000	23,667	19,223	17,022	14,603	11,861	10,340	9,895	9,122	8,786	
	60,000	20,956	17,022	15,072	12,931	10,503	9,156	8,761	8,077	7,779	
	100,000	17,979	14,603	12,931	11,093	9,011	7,855	7,517	6,929	6,674	
4-15/16 5	10,000	49,359	40,092	35,500	30,456	24,738	21,566	20,636	19,024		
	30,000	35,500	28,835	25,532	21,905	17,792	15,511	14,842	13,682		
	40,000	32,565	26,451	23,421	20,094	16,321	14,228	13,615	12,551		
	60,000	28,835	23,421	20,739	17,792	14,452	12,599	12,055	11,114		
	100,000	24,738	20,094	17,792	15,264	12,398	10,809	10,343	9,535		
5-7/16 5-15/16 6	10,000	56,589	45,964	40,700	34,917	28,362	24,725	23,659			
	30,000	40,700	33,059	29,272	25,113	20,398	17,783	17,016			
	40,000	37,335	30,325	26,852	23,037	18,712	16,312	15,609			
	60,000	33,059	26,852	23,777	20,398	16,569	14,444	13,821			
	100,000	28,362	23,037	20,398	17,500	14,214	12,392	11,858			
6-7/16 6-1/2 6-15/16 7	10,000	56,589	45,964	40,700	34,917	28,362	42,038				
	30,000	40,700	33,059	29,272	25,113	20,398	30,235				
	40,000	37,335	30,325	26,852	23,037	18,712	27,735				
	60,000	33,059	26,852	23,777	20,398	16,569	24,558				
	100,000	28,362	23,037	20,398	17,500	14,214	21,069				

For maximum RPM see Table 1 on page B5-9

In the shaded area, E, DI and TAF mounted units require a line-to-line to light press fit of shaft

In the boxed area, Type K mounted units require a line-to-line to light press fit of shaft

# SELECTION



## Type E, Type K, DOUBLE-INTERLOCK and TAF

**Table 2 (Continued) - Easy Selection Table Type E, K, DI and TAF**

Shaft Size	L <sub>10</sub> Hours Life	Allowable Equivalent Radial Load (Lbs.) at various Revolutions Per Minute								
		1,640	1,750	2,060	2,420	2,730	3,050	3,320	3,820	4,490
3-3/16 3-1/4 3-7/16 3-1/2	10,000	7,466	7,322							
	30,000	5,369	5,266							
	40,000	4,925	4,830							
	60,000	4,361	4,277							
	100,000	3,742	3,670							
3-15/16 4	10,000									
	30,000									
	40,000									
	60,000									
	100,000									
4-7/16 4-1/2	10,000									
	30,000									
	40,000									
	60,000									
	100,000									
4-15/16 5	10,000									
	30,000									
	40,000									
	60,000									
	100,000									
5-7/16 5-15/16 6	10,000									
	30,000									
	40,000									
	60,000									
	100,000									
6-7/16 6-1/2 6-15/16 7	10,000									
	30,000									
	40,000									
	60,000									
	100,000									

For maximum RPM see Table 1 on page B5-9

In the shaded area, E, DI and TAF mounted units require a line-to-line to light press fit of shaft

In the boxed area, Type K mounted units require a line-to-line to light press fit of shaft

ULTRA KLEEN

E-Z KLEEN

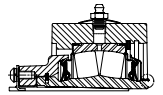
EXTREME DUTY

IMPERIAL-HD

S2000-HD

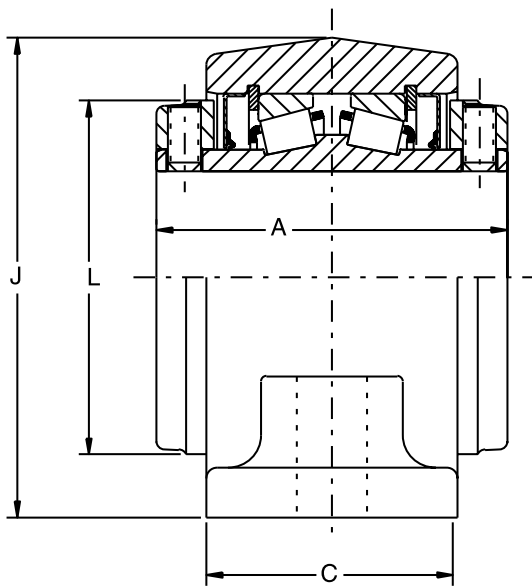
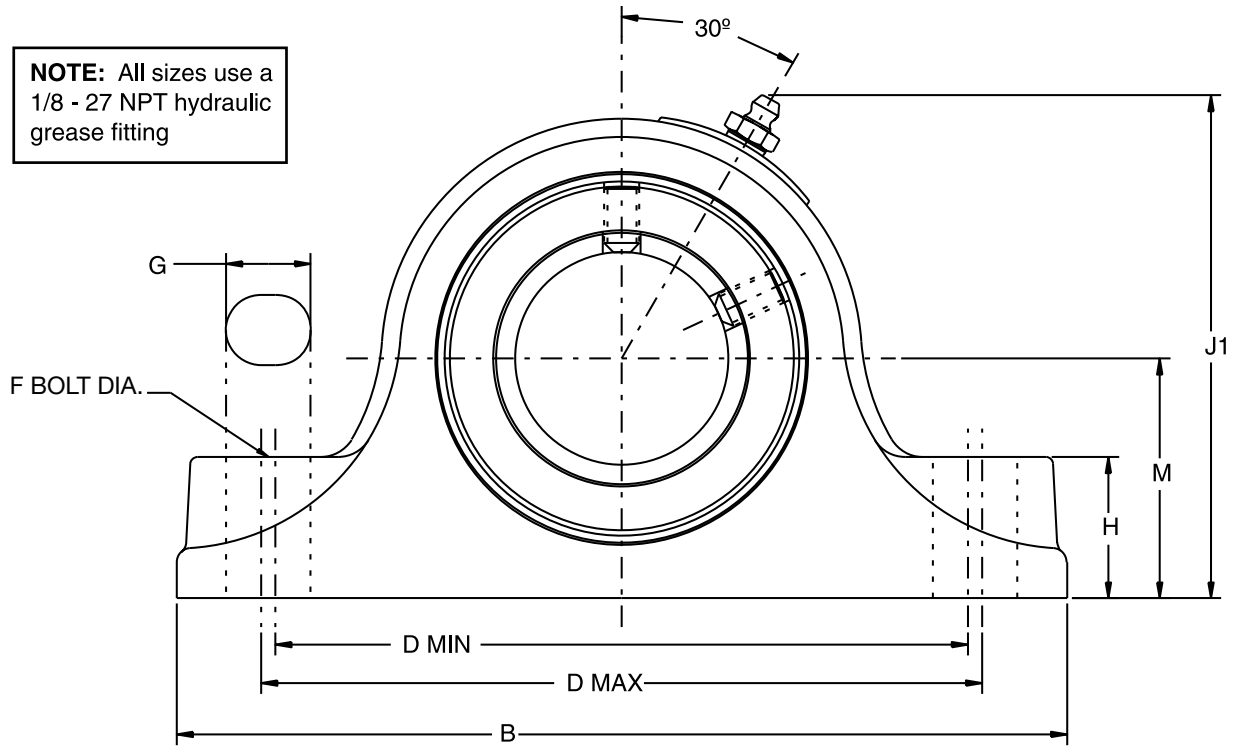
PART NUMBER INDEX

# DIMENSIONS

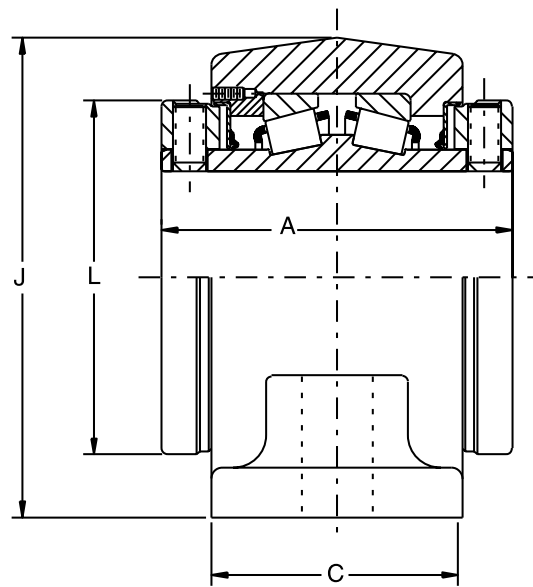


## Steel Type E Pillow Block - Inch 2-BOLT BASE

**NOTE:** All sizes use a 1/8 - 27 NPT hydraulic grease fitting



1-3/16" THRU 3" CONSTRUCTION



3-3/16" THRU 3-1/2" CONSTRUCTION

ULTRA KLEEN

E-Z KLEEN

EXTREME DUTY

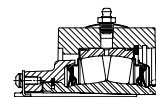
IMPERIAL-HD

S2000-HD

PART NUMBER INDEX



# DIMENSIONS



## Steel Type E Pillow Block - Inch 2-BOLT BASE

### Cast Steel

Shaft Size Inches #	Part Number	Part Name	Weight Lbs
1-3/16	<b>023047</b>	SP2B-E-103R	4
1-1/4	<b>023048</b>	SP2B-E-104R	4
1-3/8	<b>023049</b>	SP2B-E-106R	7
1-7/16	<b>023050</b>	SP2B-E-107R	7
1-1/2	<b>023051</b>	SP2B-E-108R	10
1-5/8	<b>023052</b>	SP2B-E-110R	10
1-11/16	<b>023053</b>	SP2B-E-111R	10
1-3/4	<b>023054</b>	SP2B-E-112R	11
1-7/8	<b>023055</b>	SP2B-E-114R	11
1-15/16	<b>023056</b>	SP2B-E-115R	11
2	<b>023057</b>	SP2B-E-200R	11
2-3/16	<b>023058</b>	SP2B-E-203R	14
2-1/4	<b>023059</b>	SP2B-E-204R	19
2-7/16	<b>023060</b>	SP2B-E-207R	19
2-1/2	<b>023061</b>	SP2B-E-208R	19
2-11/16	<b>023062</b>	SP2B-E-211R	26
2-3/4	<b>023063</b>	SP2B-E-212R	26
2-15/16	<b>023064</b>	SP2B-E-215R	26
3	<b>023065</b>	SP2B-E-300R	26
3-3/16	<b>023066</b>	SP2B-E-303R	44
3-1/4	<b>023067</b>	SP2B-E-304R	44
3-7/16	<b>023068</b>	SP2B-E-307R	44
3-1/2	<b>023069</b>	SP2B-E-308R	44

# Consult DODGE For Sizes Not Listed

Shaft Size (Inches)	A	B	C	D		F Bolt Dia	G	H	J	J1	L	M
				Min	Max							
1-3/16												
1-1/4	2.75	6.00	1.88	4.75	4.81	1/2	0.59	0.88	3.00	3.28	2.25	1.50
1-3/8												
1-7/16	3.00	7.38	2.12	5.62	5.88	1/2	0.75	1.12	3.75	4.00	2.75	1.88
1-1/2												
1-5/8	3.38	7.88	2.38	6.12	6.38	1/2	0.75	1.25	4.25	4.47	3.38	2.12
1-11/16												
1-3/4												
1-7/8	3.50	8.88	2.50	6.88	7.12	5/8	0.88	1.31	4.50	4.69	3.44	2.25
1-15/16												
2												
2-3/16	3.75	9.62	2.62	7.62	7.88	5/8	0.88	1.50	5.00	5.17	3.75	2.50
2-1/4												
2-7/16	4.00	10.50	2.88	8.38	8.62	5/8	0.88	1.62	5.50	5.62	4.06	2.75
2-1/2												
2-11/16												
2-3/4	4.50	12.00	3.00	9.31	9.69	3/4	1.00	1.88	6.25	60.34	4.72	3.12
2-15/16												
3												
3-3/16												
3-1/4	5.00	14.00	3.50	10.81	11.38	7/8	1.38	2.25	7.50	7.50	5.50	3.75
3-7/16												
3-1/2												

All sizes use a 1/8-27 NPT hydraulic grease fitting

ULTRA KLEEN

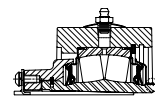
E-Z KLEEN

EXTREME DUTY

IMPERIAL-HD

S2000-HD

PART NUMBER INDEX



**DIMENSIONS**

**Steel Type E Pillow Block - Inch  
4-BOLT BASE**

ULTRA KLEEN

E-Z KLEEN

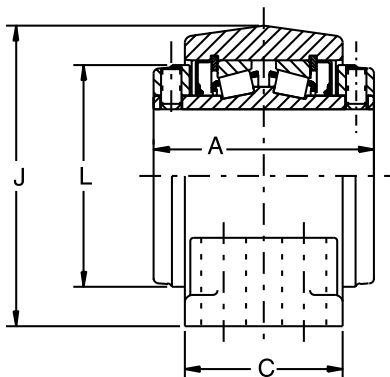
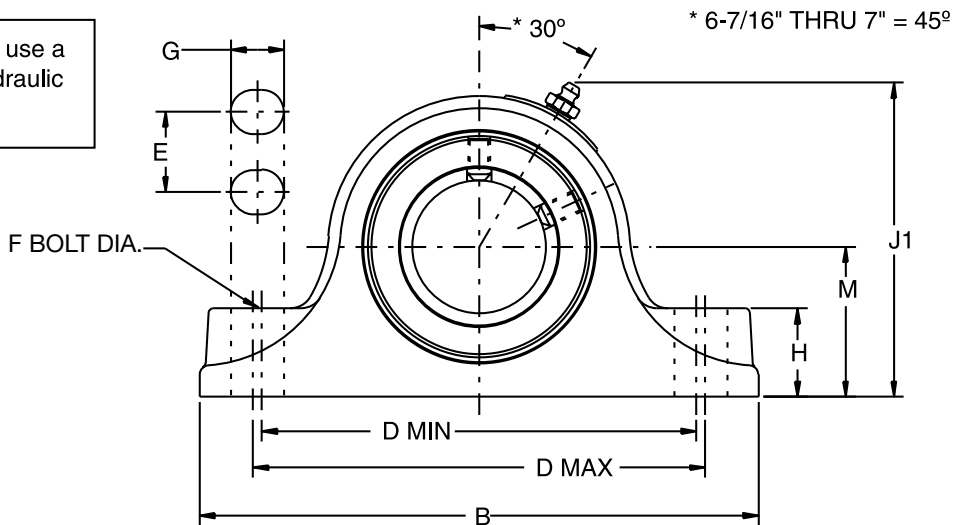
EXTREME DUTY

IMPERIAL-HD

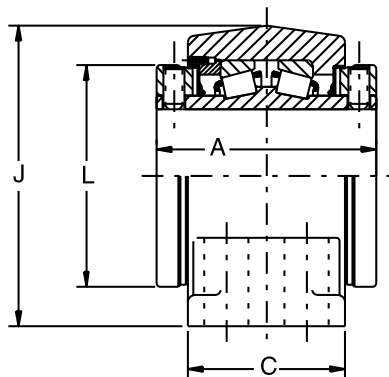
S2000-HD

PART NUMBER INDEX

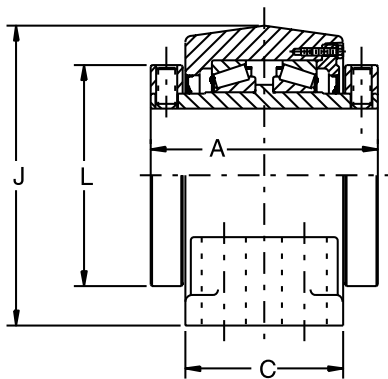
**NOTE:** All sizes use a 1/8 - 27 NPT hydraulic grease fitting



2-1/4" THRU 3" CONSTRUCTION

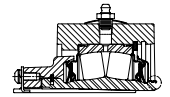


3-3/16" THRU 5" CONSTRUCTION



5-7/16" THRU 7" CONSTRUCTION

# DIMENSIONS



## Steel Type E Pillow Block - Inch 4-BOLT BASE

### Cast Steel

Shaft Size Inches #	Part Number	Part Name	Weight Lbs
3-15/16	<b>023070</b>	SP4B-E-315R	65
4	<b>023071</b>	SP4B-E-400R	65
4-7/16	<b>023072</b>	SP4B-E-407R	81
4-1/2	<b>023073</b>	SP4B-E-408R	81
4-15/16	<b>023074</b>	SP4B-E-415R	132
5	<b>023075</b>	SP4B-E-500R	132

# Consult DODGE For Sizes Not Listed

Shaft Size Inches	A	B	C*	D		E	F Bolt Dia	G	H	J1	J	L	M
				Min	Max								
3-15/16 4	6.25	15.25	4.50	12.25	12.75	2.25	3/4	1.12	2.44	8.50	8.44	6.00	4.25
4-7/16 4-1/2	6.75	16.62	4.62	13.25	13.75	2.50	3/4	1.12	2.75	9.38	9.28	6.45	4.75
4-15/16 5	7.25	18.50	5.12	15.25	15.75	2.88	7/8	1.25	3.00	10.88	10.69	7.45	5.50

All sizes use a 1/8-27 NPT hydraulic grease fitting

ULTRA KLEEN

E-Z KLEEN

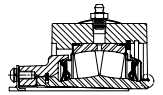
EXTREME DUTY

IMPERIAL-HD

S2000-HD

PART NUMBER INDEX

# DIMENSIONS



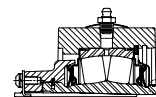
## UNIFIED Pillow Block - Spherical Roller Bearings

Table 3: Selection Table for UNIFIED SAF Pillow Blocks

Shaft Size		Bearing Series	L <sub>10</sub> Life Hours	Allowable Equivalent Radial Load Rating (Lbs.) at Various Revolutions Per Minute							
Adapter Mount (Inches)	Direct Mount (mm)			50	100	250	500	750	950	1,300	1,500
-	40	22308	10,000	12,797	10,394	7,896	6,413	5,679	5,290	4,815	4,613
			30,000	9,204	7,476	5,679	4,613	4,084	3,805	3,463	3,318
			60,000	7,476	6,072	4,613	3,747	3,318	3,090	2,813	2,695
1 - 7/16	-	22209	<b>10,000</b>	<b>8,831</b>	<b>7,173</b>	<b>5,449</b>	<b>4,426</b>	<b>3,919</b>	<b>3,651</b>	<b>3,323</b>	<b>3,183</b>
			<b>30,000</b>	<b>6,352</b>	<b>5,159</b>	<b>3,919</b>	<b>3,183</b>	<b>2,819</b>	<b>2,626</b>	<b>2,390</b>	<b>2,290</b>
			<b>60,000</b>	<b>5,159</b>	<b>4,191</b>	<b>3,183</b>	<b>2,586</b>	<b>2,290</b>	<b>2,133</b>	<b>1,941</b>	<b>1,860</b>
	45	22309	10,000	15,320	12,444	9,453	7,678	6,799	6,333	5,765	5,522
			30,000	11,018	8,950	6,799	5,522	4,890	4,555	4,146	3,972
			60,000	8,950	7,269	5,522	4,485	3,972	3,700	3,368	3,226
1-11/16	-	22210	<b>10,000</b>	<b>9,372</b>	<b>7,613</b>	<b>5,783</b>	<b>4,697</b>	<b>4,159</b>	<b>3,874</b>	<b>3,527</b>	<b>3,378</b>
			<b>30,000</b>	<b>6,741</b>	<b>5,475</b>	<b>4,159</b>	<b>3,378</b>	<b>2,991</b>	<b>2,787</b>	<b>2,536</b>	<b>2,430</b>
			<b>60,000</b>	<b>5,475</b>	<b>4,447</b>	<b>3,378</b>	<b>2,744</b>	<b>2,430</b>	<b>2,263</b>	<b>2,060</b>	<b>1,974</b>
	50	22310	10,000	18,384	14,932	11,343	9,214	8,158	7,600	6,917	6,627
			30,000	13,222	10,740	8,158	6,627	5,868	5,466	4,975	4,766
			60,000	10,740	8,723	6,627	5,383	4,766	4,440	4,041	3,871
1-15/16	-	22211	<b>10,000</b>	<b>11,355</b>	<b>9,223</b>	<b>7,006</b>	<b>5,691</b>	<b>5,039</b>	<b>4,694</b>	<b>4,273</b>	<b>4,093</b>
			<b>30,000</b>	<b>8,167</b>	<b>6,633</b>	<b>5,039</b>	<b>4,093</b>	<b>3,624</b>	<b>3,376</b>	<b>3,073</b>	<b>2,944</b>
			<b>60,000</b>	<b>6,633</b>	<b>5,388</b>	<b>4,093</b>	<b>3,325</b>	<b>2,944</b>	<b>2,742</b>	<b>2,496</b>	<b>2,391</b>
	55	22311	10,000	21,628	17,567	13,345	10,840	9,598	8,941	8,138	7,796
			30,000	15,555	12,635	9,598	7,796	6,903	6,431	5,853	5,607
			60,000	12,635	10,263	7,796	6,332	5,607	5,223	4,754	4,554
-	60	22312	<b>10,000</b>	<b>25,052</b>	<b>20,349</b>	<b>15,458</b>	<b>12,556</b>	<b>11,118</b>	<b>10,357</b>	<b>9,427</b>	<b>9,031</b>
			<b>30,000</b>	<b>18,018</b>	<b>14,635</b>	<b>11,118</b>	<b>9,031</b>	<b>7,996</b>	<b>7,449</b>	<b>6,780</b>	<b>6,495</b>
			<b>60,000</b>	<b>14,635</b>	<b>11,888</b>	<b>9,031</b>	<b>7,335</b>	<b>6,495</b>	<b>6,050</b>	<b>5,507</b>	<b>5,276</b>
2 - 3/16	-	22213	10,000	16,401	13,322	10,120	8,220	7,279	6,780	6,171	5,912
			30,000	11,796	9,581	7,279	5,912	5,235	4,877	4,439	4,252
			60,000	9,581	7,783	5,912	4,802	4,252	3,961	3,605	3,454
	65	22313	10,000	28,116	22,838	17,349	14,092	12,478	11,623	10,580	10,135
			30,000	20,222	16,425	12,478	10,135	8,974	8,360	7,609	7,289
			60,000	16,425	13,342	10,135	8,232	7,289	6,790	6,180	5,921
-	70	22314	10,000	31,180	25,326	19,239	15,627	13,837	12,890	11,732	11,239
			30,000	22,426	18,215	13,837	11,239	9,952	9,271	8,438	8,084
			60,000	18,215	14,795	11,239	9,129	8,084	7,530	6,854	6,566
2- 7/16 2-1/2	75	22215	<b>10,000</b>	<b>17,302</b>	<b>14,054</b>	<b>10,676</b>	<b>8,672</b>	<b>7,679</b>	<b>7,153</b>	<b>6,511</b>	<b>6,237</b>
			<b>30,000</b>	<b>12,444</b>	<b>10,108</b>	<b>7,679</b>	<b>6,237</b>	<b>5,523</b>	<b>5,145</b>	<b>4,683</b>	<b>4,486</b>
			<b>60,000</b>	<b>10,108</b>	<b>8,210</b>	<b>6,237</b>	<b>5,066</b>	<b>4,486</b>	<b>4,179</b>	<b>3,803</b>	<b>3,644</b>
	75	22315	10,000	36,047	29,279	22,242	18,066	15,997	14,902	13,564	12,994
			30,000	25,926	21,058	15,997	12,994	11,505	10,718	9,755	9,345
			60,000	21,058	17,105	12,994	10,554	9,345	8,706	7,924	7,591
2- 11/16 2-3/4	80	22216	<b>10,000</b>	<b>20,186</b>	<b>16,396</b>	<b>12,456</b>	<b>10,117</b>	<b>8,958</b>	<b>8,345</b>	<b>7,596</b>	<b>7,276</b>
			<b>30,000</b>	<b>14,518</b>	<b>11,793</b>	<b>8,958</b>	<b>7,276</b>	<b>6,443</b>	<b>6,002</b>	<b>5,463</b>	<b>5,233</b>
			<b>60,000</b>	<b>11,793</b>	<b>9,579</b>	<b>7,276</b>	<b>5,910</b>	<b>5,233</b>	<b>4,875</b>	<b>4,437</b>	<b>4,251</b>
	80	22316	10,000	40,372	32,793	24,911	20,234	17,917	16,690	15,191	14,553
			30,000	29,037	23,585	17,917	14,553	12,886	12,004	10,926	10,467
			60,000	23,585	19,157	14,553	11,821	10,467	9,750	8,875	8,502

Dark Shaded Areas Require Circulating Oil  
 Light Shaded Areas Require Static Oil

# DIMENSIONS



## UNIFIED Pillow Block - Spherical Roller Bearings

Table 3: Selection Table for UNIFIED SAF Pillow Blocks

Shaft Size		Bearing Series	L <sub>10</sub> Life Hours	Allowable Equivalent Radial Load Rating (Lbs.) at Various Revolutions Per Minute							
Adapter Mount (Inches)	Direct Mount (mm)			1,800	2,000	2,600	3,000	3,200	3,400	4500	5,600
-	40	22308	10,000	4,367	4,231	3,911	3,747	3,675	3,609	3,318	
			30,000	3,141	3,043	2,813	2,695	2,643	2,595	2,386	
			60,000	2,551	2,472	2,285	2,189	2,147	2,108	1,938	
1-7/16	-	22209	<b>10,000</b>	<b>3,014</b>	<b>2,920</b>	<b>2,699</b>	<b>2,586</b>	<b>2,536</b>	<b>2,490</b>	<b>2,290</b>	<b>2,144</b>
			<b>30,000</b>	<b>2,168</b>	<b>2,100</b>	<b>1,941</b>	<b>1,860</b>	<b>1,824</b>	<b>1,791</b>	<b>1,647</b>	<b>1,542</b>
			<b>60,000</b>	<b>1,761</b>	<b>1,706</b>	<b>1,577</b>	<b>1,511</b>	<b>1,482</b>	<b>1,455</b>	<b>1,338</b>	<b>1,253</b>
	45	22309	10,000	5,228	5,066	4,682	4,485	4,399	4,320	3,972	
			30,000	3,760	3,643	3,368	3,226	3,164	3,107	2,857	
			60,000	3,054	2,959	2,735	2,620	2,570	2,524	2,320	
1-11/16	-	22210	<b>10,000</b>	<b>3,199</b>	<b>3,099</b>	<b>2,864</b>	<b>2,744</b>	<b>2,691</b>	<b>2,643</b>	<b>2,430</b>	<b>2,275</b>
			<b>30,000</b>	<b>2,300</b>	<b>2,229</b>	<b>2,060</b>	<b>1,974</b>	<b>1,936</b>	<b>1,901</b>	<b>1,748</b>	<b>1,637</b>
			<b>60,000</b>	<b>1,869</b>	<b>1,810</b>	<b>1,673</b>	<b>1,603</b>	<b>1,572</b>	<b>1,544</b>	<b>1,419</b>	<b>1,329</b>
	50	22310	10,000	6,274	6,079	5,619	5,383	5,279	5,184		
			30,000	4,512	4,372	4,041	3,871	3,797	3,729		
			60,000	3,665	3,551	3,282	3,144	3,084	3,029		
1-15/16	-	22211	<b>10,000</b>	<b>3,875</b>	<b>3,755</b>	<b>3,470</b>	<b>3,325</b>	<b>3,261</b>	<b>3,202</b>	<b>2,944</b>	<b>2,757</b>
			<b>30,000</b>	<b>2,787</b>	<b>2,700</b>	<b>2,496</b>	<b>2,391</b>	<b>2,345</b>	<b>2,303</b>	<b>2,117</b>	<b>1,983</b>
			<b>60,000</b>	<b>2,264</b>	<b>2,193</b>	<b>2,027</b>	<b>1,942</b>	<b>1,905</b>	<b>1,871</b>	<b>1,720</b>	<b>1,611</b>
	55	22311	10,000	7,381	7,152	6,610	6,332	6,211	6,099		
			30,000	5,309	5,144	4,754	4,554	4,467	4,387		
			60,000	4,312	4,178	3,862	3,699	3,628	3,563		
-	60	22312	<b>10,000</b>	<b>8,550</b>	<b>8,284</b>	<b>7,657</b>	<b>7,335</b>	<b>7,194</b>	<b>7,065</b>		
			<b>30,000</b>	<b>6,149</b>	<b>5,958</b>	<b>5,507</b>	<b>5,276</b>	<b>5,174</b>	<b>5,081</b>		
			<b>60,000</b>	<b>4,995</b>	<b>4,839</b>	<b>4,473</b>	<b>4,285</b>	<b>4,203</b>	<b>4,127</b>		
2-3/16	-	22213	10,000	5,597	5,423	5,013	4,802	4,710	4,625	4,252	
			30,000	4,026	3,901	3,605	3,454	3,388	3,327	3,058	
			60,000	3,270	3,168	2,928	2,805	2,752	2,702	2,484	
	65	22313	10,000	9,596	9,297	8,593	8,232	8,074	7,929		
			30,000	6,901	6,687	6,180	5,921	5,807	5,703		
			60,000	5,606	5,431	5,020	4,809	4,717	4,632		
-	70	22314	10,000	10,641	10,310	9,530	9,129	8,954			
			30,000	7,653	7,415	6,854	6,566	6,440			
			60,000	6,217	6,023	5,567	5,333	5,231			
2-7/16 2-1/2	75	22215	<b>10,000</b>	<b>5,905</b>	<b>5,721</b>	<b>5,288</b>	<b>5,066</b>	<b>4,969</b>	<b>4,879</b>		
			<b>30,000</b>	<b>4,247</b>	<b>4,115</b>	<b>3,803</b>	<b>3,644</b>	<b>3,574</b>	<b>3,509</b>		
			<b>60,000</b>	<b>3,450</b>	<b>3,342</b>	<b>3,089</b>	<b>2,959</b>	<b>2,903</b>	<b>2,850</b>		
	75	22315	10,000	12,302	11,919	11,017	10,554				
			30,000	8,848	8,573	7,924	7,591				
			60,000	7,187	6,963	6,436	6,166				
2- 11/16 2-3/4	80	22216	<b>10,000</b>	<b>6,889</b>	<b>6,675</b>	<b>6,170</b>	<b>5,910</b>	<b>5,797</b>	<b>5,692</b>		
			<b>30,000</b>	<b>4,955</b>	<b>4,801</b>	<b>4,437</b>	<b>4,251</b>	<b>4,169</b>	<b>4,094</b>		
			<b>60,000</b>	<b>4,025</b>	<b>3,899</b>	<b>3,604</b>	<b>3,453</b>	<b>3,387</b>	<b>3,325</b>		
	80	22316	10,000	13,778	13,350	12,339	11,821				
			30,000	9,910	9,601	8,875	8,502				
			60,000	8,049	7,799	7,208	6,905				

Dark Shaded Areas Require Circulating Oil  
Light Shaded Areas Require Static Oil

ULTRA KLEEN

E-Z KLEEN

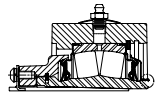
EXTREME DUTY

IMPERIAL-HD

S2000-HD

PART NUMBER INDEX

# DIMENSIONS



## UNIFIED Pillow Block - Spherical Roller Bearings

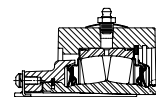
Table 3: Selection Table for UNIFIED SAF Pillow Blocks (cont)

Shaft Size		Bearing Series	L <sub>10</sub> Life Hours	Allowable Equivalent Radial Load Rating (Lbs.) at Various Revolutions Per Minute							
Adapter Mount (Inches)	Direct Mount (mm)			50	100	250	500	750	950	1,300	1,500
2 -15/16 3	85	22217	10,000	24,512	19,910	15,125	12,285	10,878	10,133	9,223	8,836
			30,000	17,629	14,320	10,878	8,836	7,824	7,288	6,634	6,355
			60,000	14,320	11,631	8,836	7,177	6,355	5,920	5,388	5,162
	85	22317	10,000	43,977	35,720	27,135	22,041	19,516	18,180	16,548	15,852
			30,000	31,629	25,691	19,516	15,852	14,037	13,076	11,901	11,401
			60,000	25,691	20,868	15,852	12,876	11,401	10,621	9,667	9,261
3-3/16	90	22218	10,000	28,116	22,838	17,349	14,092	12,478	11,623	10,580	10,135
			30,000	20,222	16,425	12,478	10,135	8,974	8,360	7,609	7,289
			60,000	16,425	13,342	10,135	8,232	7,289	6,790	6,180	5,921
3 -7/16 3-1/2	100	22220	10,000	34,785	28,254	21,464	17,434	15,437	14,380	13,089	12,539
			30,000	25,018	20,321	15,437	12,539	11,103	10,343	9,414	9,018
			60,000	20,321	16,506	12,539	10,185	9,018	8,401	7,646	7,325
	100	22320	10,000	65,966	53,581	40,703	33,061	29,275	27,270	24,821	23,778
			30,000	47,444	38,536	29,275	23,778	21,055	19,613	17,852	17,102
			60,000	38,536	31,301	23,778	19,314	17,102	15,931	14,500	13,891
3 -15/16 4	110	22222	10,000	43,977	35,720	27,135	22,041	19,516	18,180	16,548	15,852
			30,000	31,629	25,691	19,516	15,852	14,037	13,076	11,901	11,401
			60,000	25,691	20,868	15,852	12,876	11,401	10,621	9,667	9,261
	110	22322	10,000	76,419	62,072	47,153	38,300	33,914	31,592	28,755	27,546
			30,000	54,962	44,643	33,914	27,546	24,391	22,722	20,681	19,812
			60,000	44,643	36,262	27,546	22,375	19,812	18,456	16,798	16,092
4 -3/16	120	22224	10,000	51,547	41,869	31,806	25,835	22,876	21,310	19,396	18,581
			30,000	37,074	30,113	22,876	18,581	16,453	15,326	13,950	13,364
			60,000	30,113	24,460	18,581	15,092	13,364	12,449	11,331	10,855
	120	22324	10,000	86,512	70,270	53,381	43,359	38,393	35,764	32,553	31,185
			30,000	62,222	50,540	38,393	31,185	27,613	25,723	23,413	22,429
			60,000	50,540	41,051	31,185	25,330	22,429	20,893	19,017	18,218
4 -7/16 4-1/2	130	22226	10,000	61,279	49,774	37,812	30,712	27,195	25,333	23,058	22,089
			30,000	44,074	35,799	27,195	22,089	19,559	18,220	16,584	15,887
			60,000	35,799	29,078	22,089	17,942	15,887	14,799	13,470	12,904
	130	22326	10,000	100,931	81,981	62,278	50,585	44,792	41,725	37,978	36,382
			30,000	72,592	58,963	44,792	36,382	32,215	30,010	27,315	26,167
			60,000	58,963	47,893	36,382	29,551	26,167	24,375	22,186	21,254
4 -15/16 5	140	22228	10,000	70,652	57,387	43,594	35,410	31,354	29,208	26,585	25,467
			30,000	50,814	41,274	31,354	25,467	22,551	21,007	19,120	18,317
			60,000	41,274	33,525	25,467	20,686	18,317	17,063	15,530	14,878
	140	22328	10,000	117,152	95,157	72,287	58,715	51,990	48,431	44,082	42,229
			30,000	84,258	68,439	51,990	42,229	37,393	34,833	31,705	30,372
			60,000	68,439	55,590	42,229	34,301	30,372	28,293	25,752	24,670
5 -3/16	150	22230	10,000	82,187	66,756	50,712	41,191	36,473	33,976	30,925	29,625
			30,000	59,111	48,013	36,473	29,625	26,232	24,436	22,242	21,307
			60,000	48,013	38,998	29,625	24,063	21,307	19,849	18,066	17,307
	150	22330	10,000	131,571	106,869	81,184	65,942	58,389	54,392	49,507	
			30,000	94,629	76,862	58,389	47,427	41,995	39,120	35,607	
			60,000	76,862	62,432	47,427	38,522	34,110	31,775	28,922	

Dark Shaded Areas Require Circulating Oil

Light Shaded Areas Require Static Oil

# DIMENSIONS



ULTRA KLEEN

E-Z KLEEN

EXTREME DUTY

IMPERIAL-HD

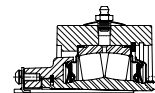
S2000-HD

PART NUMBER INDEX

**UNIFIED Pillow Block - Spherical Roller Bearings**  
**Table 3: Selection Table for UNIFIED SAF Pillow Blocks (cont)**

Shaft Size		Bearing Series	L <sub>10</sub> Life Hours	Allowable Equivalent Radial Load Rating (Lbs.) at Various Revolutions Per Minute							
Adapter Mount (Inches)	Direct Mount (mm)			1,800	2,000	2,600	3,000	3,200	3,400	4500	5,600
2 -15/16 3	85	22217	10,000	8,365	8,105	7,492	7,177	7,039	6,912		
			30,000	6,017	5,829	5,388	5,162	5,063	4,971		
			60,000	4,887	4,735	4,377	4,193	4,112	4,038		
	85	22317	10,000	15,008	14,541	13,441					
			30,000	10,794	10,459	9,667					
			60,000	8,768	8,495	7,852					
3-3/16	90	22218	10,000	9,596	9,297	8,593	8,232	8,074	7,929		
			30,000	6,901	6,687	6,180	5,921	5,807	5,703		
			60,000	5,606	5,431	5,020	4,809	4,717	4,632		
3 -7/16 3-1/2	100	22220	10,000	11,871	11,502	10,631	10,185				
			30,000	8,538	8,273	7,646	7,325				
			60,000	6,935	6,719	6,211	5,950				
	100	22320	10,000	22,513	21,812						
			30,000	16,192	15,688						
			60,000	13,152	12,742						
3 -15/16 4	110	22222	10,000	15,008	14,541	13,441					
			30,000	10,794	10,459	9,667					
			60,000	8,768	8,495	7,852					
	110	22322	10,000	26,080							
			30,000	18,758							
			60,000	15,236							
4 -3/16	120	22224	10,000	17,592	17,045						
			30,000	12,652	12,259						
			60,000	10,277	9,957						
	120	22324	10,000	29,525							
			30,000	21,235							
			60,000	17,248							
4 -7/16 4-1/2	130	22226	10,000	20,913	20,263						
			30,000	15,041	14,573						
			60,000	12,217	11,837						
	130	22326	10,000								
			30,000								
			60,000								
4 -15/16 5	140	22228	10,000	24,112	23,362						
			30,000	17,342	16,802						
			60,000	14,086	13,648						
	140	22328	10,000								
			30,000								
			60,000								
5 -3/16	150	22230	10,000	28,049	27,176						
			30,000	20,173	19,545						
			60,000	16,386	15,876						
	150	22330	10,000								
			30,000								
			60,000								

Dark Shaded Areas Require Circulating Oil  
 Light Shaded Areas Require Static Oil



# DIMENSIONS

## UNIFIED Pillow Block - Spherical Roller Bearings

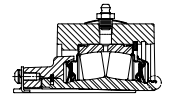
Table 3: Selection Table for UNIFIED SAF Pillow Blocks (cont)

Shaft Size		Bearing Series	L <sub>10</sub> Life Hours	Allowable Equivalent Radial Load Rating (Lbs.) at Various Revolutions Per Minute							
Adapter Mount (Inches)	Direct Mount (mm)			50	100	250	500	750	950	1,300	1,500
5- 7/16 5-1/2	160	22232	10,000	93,722	76,126	57,829	46,972	41,592	38,745	35,265	33,783
			30,000	67,407	54,751	41,592	33,783	29,914	27,866	25,364	24,298
			60,000	54,751	44,472	33,783	27,441	24,298	22,634	20,602	19,736
	160	22332	10,000	117,152	95,157	72,287	58,715	51,990	48,431	44,082	
			30,000	84,258	68,439	51,990	42,229	37,393	34,833	31,705	
			60,000	68,439	55,590	42,229	34,301	30,372	28,293	25,752	
5- 15/16 6	170	22234	10,000	108,140	87,837	66,726	54,199	47,991	44,706	40,691	38,981
			30,000	77,777	63,175	47,991	38,981	34,516	32,153	29,266	28,036
			60,000	63,175	51,314	38,981	31,662	28,036	26,117	23,771	22,772
	170	22334	10,000	129,768	105,405	80,071	65,038	57,589	53,647	48,829	
			30,000	93,332	75,809	57,589	46,777	41,420	38,584	35,119	
			60,000	75,809	61,576	46,777	37,995	33,643	31,340	28,525	
6- 7/16 6-1/2	180	22236	10,000	109,943	89,301	67,838	55,102	48,791	45,451	41,369	39,631
			30,000	79,073	64,227	48,791	39,631	35,092	32,689	29,753	28,503
			60,000	64,227	52,169	39,631	32,190	28,503	26,552	24,167	23,152
6- 15/16 7	190	22238	10,000	97,326	79,053	60,054	48,779	43,192	40,235	36,622	
			30,000	69,999	56,857	43,192	35,083	31,065	28,938	26,339	
			60,000	56,857	46,182	35,083	28,496	25,232	23,505	21,394	
	190	22338	10,000	149,594	121,508	92,305	74,975	66,388	61,843		
			30,000	107,591	87,391	66,388	53,923	47,747	44,479		
			60,000	87,391	70,984	53,923	43,799	38,783	36,128		
7-3/16	200	22240	10,000	108,140	87,837	66,726	54,199	47,991	44,706		
			30,000	77,777	63,175	47,991	38,981	34,516	32,153		
			60,000	63,175	51,314	38,981	31,662	28,036	26,117		
7- 1/2 7- 15/16 8	220	22244	10,000	131,571	106,869	81,184	65,942	58,389	54,392		
			30,000	94,629	76,862	58,389	47,427	41,995	39,120		
			60,000	76,862	62,432	47,427	38,522	34,110	31,775		
8- 7/16 8- 1/2 8- 15/16, 9	23048	23048	10,000	93,722	76,126	57,829	46,972	41,592	38,745		
			30,000	67,407	54,751	41,592	33,783	29,914	27,866		
			60,000	54,751	44,472	33,783	27,441	24,298	22,634		
9- 7/16 9- 1/2	23052	23052	10,000	122,559	99,549	75,623	61,425	54,390	50,666		
			30,000	88,147	71,598	54,390	44,178	39,118	36,440		
			60,000	71,598	58,155	44,178	35,884	31,774	29,599		
9- 15/16 10 10- 7/16 10- 1/2	23056	23056	10,000	124,361	101,013	76,735	62,328	55,190			
			30,000	89,444	72,651	55,190	44,828	39,694			
			60,000	72,651	59,011	44,828	36,412	32,241			

Dark Shaded Areas Require Circulating Oil  
 Light Shaded Areas Require Static Oil



# DIMENSIONS



## UNIFIED Pillow Block - Spherical Roller Bearings

Table 3: Selection Table for UNIFIED SAF Pillow Blocks (cont)

Shaft Size		Bearing Series	L10 Life Hours	Allowable Equivalent Radial Load Rating (Lbs.) at Various Revolutions Per Minute							
Adapter Mount (Inches)	Direct Mount (mm)			1,800	2,000	2,600	3,000	3,200	3,400	4500	5,600
5- 7/16 5-1/2	160	22232	10,000	31,985							
			30,000	23,004							
			60,000	18,685							
	160	22332	10,000								
			30,000								
			60,000								
5- 15/16 6	170	22234	10,000								
			30,000								
			60,000								
	170	22334	10,000								
			30,000								
			60,000								
6 -7/16 6-1/2	180	22236	10,000								
			30,000								
			60,000								
6 -15/16 7	190	22238	10,000								
			30,000								
			60,000								
	190	22338	10,000								
			30,000								
			60,000								
7-3/16	200	22240	10,000								
			30,000								
			60,000								
7 -1/2 7 -15/16 8	220	22244	10,000								
			30,000								
			60,000								
8 -7/16 8 -1/2 8-15/16, 9		23048	10,000								
			30,000								
			60,000								
9- 7/16 9-1/2		23052	10,000								
			30,000								
			60,000								
9 -15/16 10 10- 7/16 10-1/2		23056	10,000								
			30,000								
			60,000								

Dark Shaded Areas Require Circulating Oil  
Light Shaded Areas Require Static Oil

ULTRA KLEEN

E-Z KLEEN

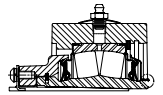
EXTREME DUTY

IMPERIAL-HD

S2000-HD

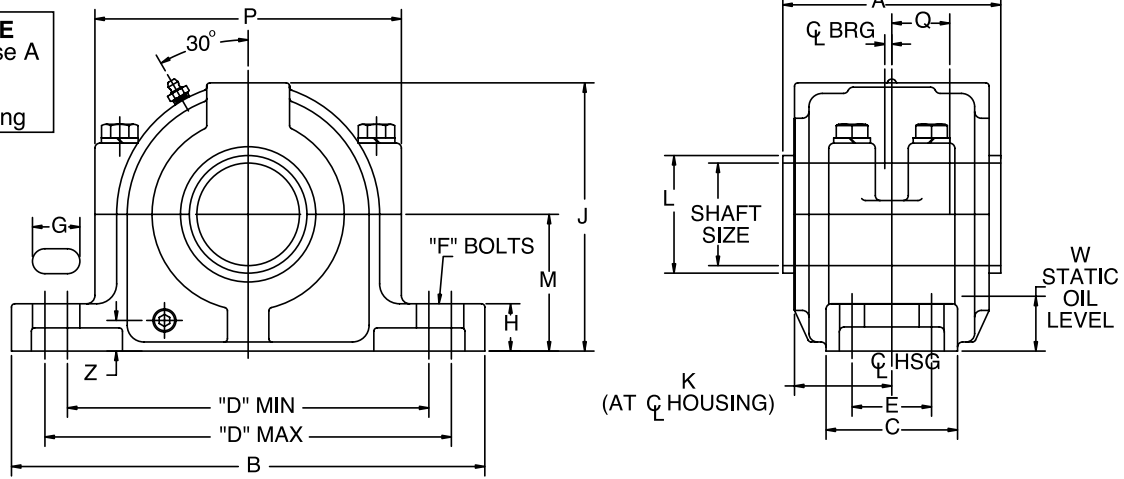
PART NUMBER INDEX

# DIMENSIONS



## SAFS Steel Housing Pillow Blocks (22200K/22300K ADAPTER MOUNT BEARING)

**LUBE NOTE**  
All Sizes Use A  
1/8-27 NPT  
Hydraulic  
Grease Fitting



Shaft Size Inch ▲	Housing No.	Part Numbers				Approx. Wt. lbs.	A with Seals			B	C
		SAFS 2-Bolt		SAFS 4-Bolt			TRIPLE-TECT	Optional			
		Complete Pillow Block ★	Housing Only	Complete Pillow Block ★	Housing Only			LER/ER	Aux.		
2-7/16	515	042400	042425	042410	042428	24	5.16	4-43/64	7.44	11.25	3.12
2-1/2	515	042401	042425	042411	042428						
2-11/16	516	042407†	044231	042408†	044232	32	5.42	4-51/64	7.62	13.00	3.50
2-3/4	516	042420†	044231	042421†	044232						
2-15/16	517	042402	042433	042412	042436	35	5-39/64	4-63/64	7.88	13.00	3.50
3	517	042403	042433	042413	042436						
3-3/16	518	042424†	044233	042430†	044234	44	6.14	5.62	8.00	13.75	3.88
3-7/16	520	042404	042440	042414	042443	74	6.41	5-13/16	8.50	15.25	4.38
3-1/2	520	042405	042440	042415	042443						
3-15/16	522	-	-	042416	042450	97	6.86	6.38	8.64	16.50	4.75
4	522	-	-	042417	042450						
4-3/16	524	-	-	042432†	044235	120	8.08	7.44	8.89	16.50	4.75
4-7/16	526	-	-	042568	042455	160	8.47	7.88	9.45	18.38	5.12
4-1/2	526	-	-	042575	042455						
4-15/16	528	-	-	042569	042460	175	8.09	7.50	10.33	20.12	5.88
5	528	-	-	042576	042460						
5-3/16	530	-	-	042439†	044236	220	8.75	8.16	10.64	21.25	6.25
5-7/16	532	-	-	042570	042465	245	9.22	8.62	10.45	22	6.25
5-1/2	532	-	-	042577	042465						
5-15/16	534	-	-	042571	042469	310	9.91	9.12	11.88	24.75	6.75
6	534	-	-	042578	042469						
6-7/16	536	-	-	042572	042468	345	10.34	9.62	11.39	26.75	7.12
6-1/2	536	-	-	042579	042468						
6-15/16	538	-	-	042573	042472	400	10.84	10.12	11.16	28.00	7.50
7	538	-	-	042580	042472						
7-1/2	544	-	-	042446†	044277	640	12.84	11.62	13.20	32.75	8.75
7-15/16	544	-	-	042581	042477						
8	544	-	-	042574	042477						

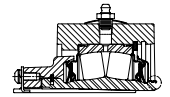
★ Includes: (1) housing with Spacers, (1) Standard Spherical Bearing, (1) SNW Assembly (SNP above 8") and (2) TRIPLE-TECT Seals unless otherwise noted.

† Sizes not listed will be quoted on application

**SAFS 2-Bolt Pillow Block (P2B-SAFS - - -)**

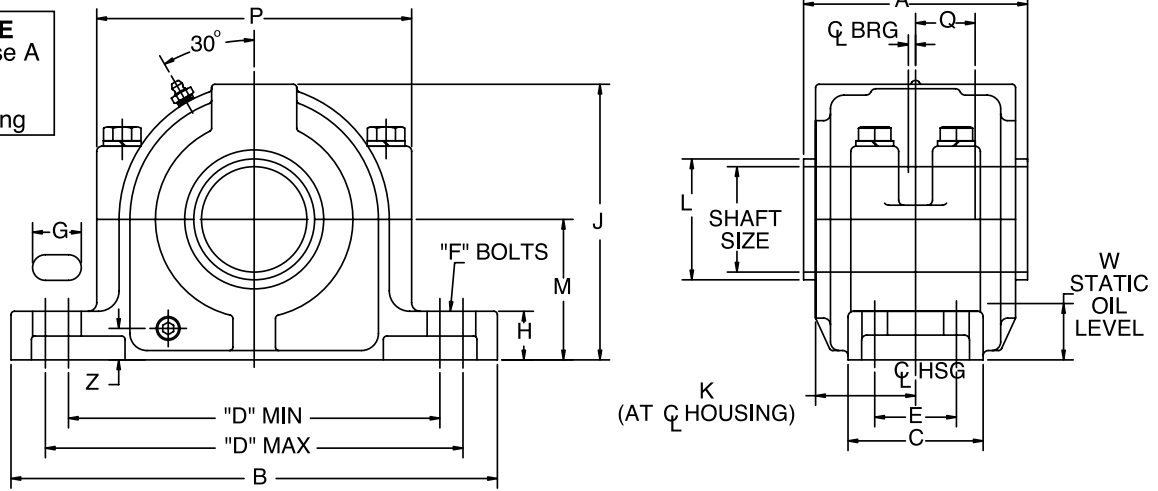
**SAFS 4-Bolt Pillow Block (P4B-SAFS - - -)**

# DIMENSIONS



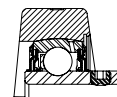
## SAFS Steel Housing Pillow Blocks (22200K/22300K ADAPTER MOUNT BEARING)

**LUBE NOTE**  
All Sizes Use A  
1/8-27 NPT  
Hydraulic  
Grease Fitting



Shaft Size Inch	Dimension				E	Bolt Dia.		G	H	J	K	L	M	P	Q	S	W	Z
	D					F												
	2-Bolt		4-Bolt			2B	4B											
	Min.	Max.	Min.	Max.														
2-7/16 2-1/2	8.75	9.50	8.62	9.62	1.88	5/8	1/2	1.12	1.25	6.44	2.31	2.80	3.25	7.06	1.34	0.12	1.16	0.62
2-11/16 2-3/4	10.12	10.62	9.88	10.88	2.12	3/4	5/8	1.25	1.50	6.88	2.38	3.17	3.50	8.00	1.47	0.19	1.25	0.62
2-15/16 3	10.25	10.75	10.00	11.00	2.12	3/4	5/8	1.12, 2B 1.25, 4B	1.50	7.38	2.47	3.42	3.75	8.25	1.56	0.19	1.38	0.75
3-3/16	10.75	11.25	10.50	11.50	2.12	3/4	5/8	1.25	1.62	7.75	2.75	3.69	4.00	8.25	1.70	0.19	1.47	0.69
3-7/16 3-1/2	11.88	12.62	11.75	12.75	2.38	7/8	3/4	1.38	1.75	8.75	2.91	3.83	4.50	9.81	1.89	0.19	1.64	0.94
3-15/16 4	-	-	12.88	14.12	2.75	-	3/4	1.50	2.00	9.62	3.12	4.33	4.94	10.62	2.08	0.19	1.80	1.12
4-3/16	-	-	13.25	14.50	2.75	-	3/4	1.50	1.75	10.25	3.91	4.59	5.25	11.50	2.22	0.19	1.84	1.00
4-7/16 4-1/2	-	-	14.50	16.00	3.25	-	7/8	1.75	2.50	11.56	3.88	4.94	6.00	12.81	2.41	0.19	2.34	1.28
4-15/16 5	-	-	15.62	17.38	3.38	-	1	2.00	2.50	12.00	3.69	5.36	6.00	13.56	2.53	0.19	2.03	1.81
5-3/16	-	-	16.75	18.50	3.75	-	1	2.00	2.50	12.81	4.06	5.77	6.31	14.50	2.69	0.19	2.03	1.81
5-7/16 5-1/2	-	-	17.38	19.12	3.75	-	1	2.00	2.75	13.69	4.25	5.88	6.69	15.12	2.89	0.19	2.09	1.22
5-15/16 6	-	-	19.38	21.62	4.25	-	1	2.00	2.88	14.56	4.62	6.44	7.06	16.81	3.12	0.19	2.81	1.56
6-7/16 6-1/2	-	-	21.38	23.12	4.62	-	1	2.00	3.00	15.25	4.81	6.80	7.50	17.81	3.08	0.19	2.42	1.09
6-15/16 7	-	-	22.12	23.88	4.50	-	1-1/4	2.25	3.12	16.12	5.12	7.38	7.88	17.88	3.23	0.19	2.53	1.31
7-1/2 7-15/16 8	-	-	25.12	27.88	5.25	-	1-1/2	3.00	3.88	19.25	5.75	7.94 8.33	9.50	20.75	3.64	0.19	3.25	1.88

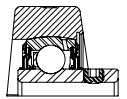
- ◆ Distance shaft should extend beyond housing centerline of pillow block in closed end style.
- ★ Non-expansion bearing offset from centerline. For Expansion Bearing S = 0.
- Based on TRIPLE-TECT seals.



# PART NUMBER INDEX

Part Number	Page	Part Number	Page	Part Number	Page
023047	199	042430	208	048928	171
023048	199	042432	208	048929	171
023049	199	042433	208	048930	171
023050	199	042436	208	048931	171
023051	199	042439	208	048932	171
023052	199	042440	208	048933	171
023053	199	042443	208	048934	171
023054	199	042446	208	049380	65
023055	199	042450	208	049469	58
023056	199	042455	208	049477	78
023057	199	042460	208	049686	66
023058	199	042465	208	049835	65
023059	199	042468	208	049996	54
023060	199	042469	208	050524	88
023061	199	042472	208	050580	88
023062	199	042477	208	050653	88
023063	199	042568	208	050654	88
023064	199	042569	208	050656	88
023065	199	042570	208	052093	89
023066	199	042571	208	052620	88
023067	199	042572	208	052621	88
023068	199	042573	208	052622	88
023069	199	042574	208	052623	88
023070	201	042575	208	052981	88
023071	201	042576	208	053986	89
023072	201	042577	208	054145	88
023073	201	042578	208	056440	77
023074	201	042579	208	056497	52
023075	201	042580	208	056525	55
042400	208	042581	208	056526	65
042401	208	044231	208	056548	54
042402	208	044232	208	056552	66
042403	208	044233	208	056553	54
042404	208	044234	208	056565	55
042405	208	044235	208	056577	60
042407	208	044236	208	056580	65
042408	208	044277	208	056593	78
042410	208	045338	88	056611	66
042411	208	045412	88	056612	66
042412	208	045600	88	056633	78
042413	208	045601	88	056734	66
042414	208	045602	88	056796	54
042415	208	045603	88	056797	54
042416	208	045604	88	056800	55
042417	208	045605	88	056801	66
042420	208	045606	88	056802	66
042421	208	045677	88	056803	66
042424	208	048925	171	056804	66
042425	208	048926	171	056805	66
042428	208	048927	171	056806	78

# PART NUMBER INDEX



Part Number	Page	Part Number	Page	Part Number	Page
056807.....	78	062542.....	78	069964.....	167, 191
056808.....	78	062837.....	52	069965.....	167, 191
056809.....	78	062874.....	55	069966.....	167, 191
056810.....	78	062875.....	56	069967.....	167, 191
056893.....	65	062879.....	55	069968.....	167, 191
056964.....	66	062901.....	76	069969.....	167, 191
056971.....	66	062913.....	66	069970.....	191
057102.....	88	062994.....	66	069971.....	191
057442.....	56	064064.....	52	069972.....	191
057524.....	65	064147.....	62	069973.....	191
057594.....	65	064503.....	62	069975.....	191
057687.....	65	064572.....	52	070000.....	189
057898.....	52	064584.....	74	070001.....	189
057899.....	77	064839.....	52	070002.....	189
057907.....	77	064993.....	76	070003.....	189
057908.....	71	064994.....	50	070004.....	189
058294.....	77	065600.....	78	070005.....	189
058311.....	71	065655.....	52	070006.....	189
058336.....	71	065694.....	64	070007.....	189
058345.....	88	065780.....	77	070008.....	189
058404.....	65	065786.....	65	070009.....	189
058470.....	65	065945.....	78	070010.....	189
058514.....	79	066629.....	170	070011.....	189
058515.....	67	066630.....	170	070012.....	189
058516.....	56	066631.....	170	070013.....	189
058593.....	65	066632.....	170	070014.....	189
058594.....	77	066633.....	170	070015.....	189
058595.....	77	066634.....	170	070016.....	189
058596.....	52	066635.....	170	070017.....	189
058597.....	52	066636.....	170	070018.....	189
058632.....	60	066637.....	170	070019.....	189
058648.....	71	066638.....	170	070020.....	189
058665.....	88	066642.....	170	070021.....	189
058792.....	65	066643.....	170	070022.....	189
058910.....	77	066644.....	170	070023.....	189
058931.....	52	067630.....	54	070024.....	189
058940.....	83	067678.....	50	070025.....	189
058941.....	65	067839.....	54	070026.....	189
058944.....	52	067919.....	52	070027.....	189
058965.....	88	067996.....	52	070028.....	189
058975.....	52	068236.....	54	070029.....	189
058989.....	88	068283.....	66	070030.....	189
059722.....	52	068322.....	52	070031.....	189
059798.....	55	068424.....	77	070160.....	166
059799.....	55	068495.....	52	070161.....	166
059823.....	65	068687.....	74	070162.....	166
059869.....	89	069960.....	167, 191	070163.....	166
059870.....	54	069961.....	167, 191	070164.....	166
062317.....	71	069962.....	167, 191	070165.....	166
062340.....	78	069963.....	167, 191	070166.....	166

ULTRA KLEEN

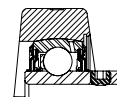
E-Z KLEEN

EXTREME DUTY

IMPERIAL-HD

S2000-HD

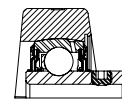
PART NUMBER INDEX



# PART NUMBER INDEX

Part Number	Page	Part Number	Page	Part Number	Page
070167	166	070892	163	070942	165
070168	166	070893	163	070943	165
070169	166	070894	165	071590	163
070170	166	070895	165	071591	163
070171	166	070896	165	071592	165
070172	166	070897	165	071593	163
070173	166	070898	165	071594	163
070174	166	070899	165	071595	165
070175	166	070900	165	071650	144
070176	166	070901	165	071651	144
070177	166	070902	165	071652	144
070178	166, 190	070903	165	071653	144
070179	166	070904	165	071654	144
070180	166	070905	165	071655	144
070181	166	070906	165	071656	144
070182	166	070907	165	071657	144
070183	166	070908	165	071658	144
070184	166	070909	165	071659	144
070185	166	070910	165	071660	144
070186	166, 190	070911	165	071661	144
070187	166	070912	163	071662	144
070188	166	070913	163	071663	144
070189	166, 190	070914	163	071664	144
070190	166	070915	163	071665	144
070191	166, 190	070916	163	071666	144
070192	166	070917	163	071667	144
070193	166, 190	070918	163	071668	144
070194	166	070919	163	071669	144
070240	190	070920	163	071670	144
070241	190	070921	163	071671	144
070242	190	070922	163	071672	144
070243	190	070923	163	071673	144
070244	190	070924	163	071674	144
070245	190	070925	163	071675	144
070246	190	070926	165	071676	144
070247	190	070927	165	071677	144
070248	190	070928	165	071678	144
070249	190	070929	165	071679	144
070250	190	070930	165	071680	144
070880	163	070931	165	071681	144
070881	163	070932	165	071682	144
070882	163	070933	165	071683	144
070883	163	070934	165	071684	144
070884	163	070935	165	071685	144
070885	163	070936	165	071686	144
070886	163	070937	165	071687	144
070887	163	070938	165	071688	144
070888	163	070939	165	071689	144
070889	163	070940	165	071690	144
070890	163	070941	165	071691	144
070891	163				

# PART NUMBER INDEX



Part Number	Page	Part Number	Page	Part Number	Page
071692.....	144	071790.....	179	071870.....	147
071693.....	144	071791.....	179	071871.....	147
071694.....	144	071792.....	179	071872.....	147
071695.....	144	071793.....	179	071873.....	147
071696.....	144	071794.....	179	071874.....	147
071697.....	144	071795.....	179	071875.....	147
071698.....	144	071796.....	179	071876.....	147
071699.....	144	071797.....	179	071877.....	147
071700.....	144	071798.....	179	071878.....	147
071701.....	144	071799.....	179	071879.....	147
071702.....	144	071800.....	179	071880.....	147
071703.....	144	071801.....	179	071881.....	147
071704.....	144	071802.....	179	071882.....	147
071705.....	144	071803.....	179	071883.....	147
071706.....	149	071804.....	179	071884.....	147
071707.....	149	071805.....	179	071885.....	147
071708.....	149	071806.....	179	071886.....	147
071709.....	149	071807.....	179	071887.....	147
071710.....	149	071808.....	179	071888.....	147
071711.....	149	071809.....	179	071889.....	147
071712.....	149	071810.....	179	071890.....	147
071713.....	149	071811.....	179	071891.....	147
071714.....	149	071812.....	179	071892.....	147
071715.....	149	071813.....	179	071893.....	147
071716.....	149	071814.....	179	071894.....	147
071717.....	149	071815.....	179	071895.....	147
071718.....	149	071816.....	179	071896.....	147
071719.....	149	071817.....	179	071897.....	147
071720.....	149	071821.....	183	071898.....	147
071721.....	149	071822.....	183	071899.....	147
071722.....	149	071823.....	183	071900.....	147
071723.....	149	071824.....	183	071901.....	147
071724.....	149	071825.....	183	071902.....	147
071725.....	149	071826.....	183	071903.....	147
071726.....	149	071827.....	183	071904.....	147
071727.....	149	071828.....	183	071905.....	147
071728.....	149	071832.....	183	071906.....	151
071729.....	149	071833.....	183	071907.....	151
071730.....	149	071834.....	183	071908.....	151
071731.....	149	071835.....	183	071909.....	151
071732.....	149	071836.....	183	071910.....	151
071733.....	149	071837.....	183	071911.....	151
071734.....	149	071838.....	183	071912.....	151
071735.....	149	071839.....	183	071913.....	151
071736.....	149	071864.....	147	071914.....	151
071737.....	149	071865.....	147	071915.....	151
071738.....	149	071866.....	147	071916.....	151
071739.....	149	071867.....	147	071917.....	151
071740.....	149	071868.....	147	071918.....	151
071741.....	149	071869.....	147	071919.....	151

ULTRA KLEEN

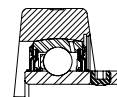
E-Z KLEEN

EXTREME DUTY

IMPERIAL-HD

S2000-HD

PART NUMBER INDEX

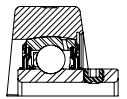


# PART NUMBER INDEX

Part Number	Page	Part Number	Page	Part Number	Page
071920.....	151	071970.....	185	072212.....	153
071921.....	151	071971.....	185	072213.....	153
071922.....	151	071972.....	185	072214.....	153
071923.....	151	071973.....	185	072215.....	153
071924.....	151	071974.....	185	072216.....	153
071925.....	151	071975.....	185	072217.....	153
071926.....	151	071976.....	185	072218.....	153
071927.....	151	071977.....	185	072219.....	153
071928.....	151	072170.....	152	072220.....	153
071929.....	151	072171.....	152	072221.....	153
071930.....	151	072172.....	152	072222.....	153
071931.....	151	072173.....	152	072223.....	153
071932.....	151	072174.....	152	072224.....	153
071933.....	151	072175.....	152	072225.....	153
071934.....	151	072176.....	152	072226.....	154
071935.....	151	072177.....	152	072227.....	154
071936.....	151	072178.....	152	072228.....	154
071937.....	151	072179.....	152	072229.....	154
071938.....	151	072180.....	152	072230.....	154
071939.....	151	072181.....	152	072231.....	154
071940.....	181	072182.....	152	072232.....	154
071941.....	181	072183.....	152	072233.....	154
071942.....	181	072184.....	153	072234.....	154
071943.....	181	072185.....	153	072235.....	154
071944.....	181	072186.....	153	072237.....	154
071945.....	181	072187.....	153	072238.....	154
071946.....	181	072188.....	153	072239.....	154
071947.....	181	072189.....	153	072240.....	154
071948.....	181	072190.....	153	072241.....	154
071949.....	181	072191.....	153	072242.....	154
071950.....	181	072192.....	153	072243.....	154
071951.....	181	072193.....	153	072244.....	154
071952.....	181	072194.....	153	072245.....	154
071953.....	181	072195.....	153	072246.....	154
071954.....	181	072196.....	153	072247.....	154
071955.....	181	072197.....	153	072248.....	154
071956.....	181	072198.....	152	072249.....	154
071957.....	181	072199.....	152	072250.....	154
071958.....	181	072200.....	152	072251.....	154
071959.....	181	072201.....	152	072252.....	154
071960.....	181	072202.....	152	072253.....	154
071961.....	181	072203.....	152	072254.....	154
071962.....	185	072204.....	152	072255.....	154
071963.....	185	072205.....	152	072256.....	154
071964.....	185	072206.....	152	072257.....	154
071965.....	185	072207.....	152	072258.....	154
071966.....	185	072208.....	152	072259.....	154
071967.....	185	072209.....	152	072260.....	154
071968.....	185	072210.....	152	072262.....	154
071969.....	185	072211.....	152	072263.....	154



# PART NUMBER INDEX



Part Number	Page	Part Number	Page	Part Number	Page
072264.	154	072315.	157	072366.	160
072265.	154	072316.	157	072367.	160
072266.	154	072317.	157	072368.	160
072267.	154	072318.	157	072369.	160
072268.	154	072319.	157	072370.	160
072269.	154	072320.	157	072371.	160
072270.	154	072321.	157	072372.	160
072271.	154	072322.	157	072373.	160
072272.	154	072323.	157	072374.	160
072273.	154	072324.	157	072375.	160
072274.	154	072325.	157	072376.	160
072275.	154	072326.	157	072377.	160
072276.	157	072327.	157	072378.	160
072277.	157	072328.	157	072379.	160
072278.	157	072329.	157	072380.	160
072279.	157	072330.	157	072382.	160
072280.	157	072331.	157	072383.	160
072281.	157	072332.	157	072384.	160
072282.	157	072333.	157	072385.	160
072283.	157	072334.	157	072386.	187
072284.	157	072335.	157	072387.	187
072286.	157	072336.	157	072388.	187
072287.	157	072337.	157	072389.	187
072288.	157	072338.	160	072390.	187
072289.	157	072339.	160	072391.	187
072290.	157	072340.	160	072392.	187
072291.	157	072341.	160	072393.	187
072292.	157	072342.	160	072394.	187
072293.	157	072343.	160	072395.	187
072294.	157	072344.	160	072396.	187
072295.	157	072345.	160	072397.	187
072296.	157	072346.	160	072398.	187
072297.	157	072347.	160	072399.	187
072298.	157	072348.	160	072400.	187
072299.	157	072349.	160	072401.	187
072300.	157	072350.	160	072402.	187
072301.	157	072351.	160	072403.	187
072302.	157	072352.	160	072404.	187
072303.	157	072353.	160	072405.	187
072304.	157	072354.	160	072406.	187
072305.	157	072355.	160	072407.	187
072306.	157	072356.	160	072408.	187
072307.	157	072358.	160	072409.	187
072308.	157	072359.	160	072410.	187
072309.	157	072360.	160	072411.	187
072310.	157	072361.	160	072412.	187
072311.	157	072362.	160	072413.	187
072312.	157	072363.	160	072500.	166
072313.	157	072364.	160	072501.	166
072314.	157	072365.	160	072502.	166

ULTRA KLEEN

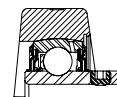
E-Z KLEEN

EXTREME DUTY

IMPERIAL-HD

S2000-HD

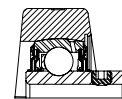
PART NUMBER INDEX



# PART NUMBER INDEX

Part Number	Page	Part Number	Page	Part Number	Page
072503	166, 190	076017	104	076067	111
072504	166, 190	076018	104	076068	111
072505	166, 190	076019	104	076069	111
072506	166, 190	076020	104	076070	111
072507	166	076021	104	076071	111
072508	166, 190	076022	104	076072	111
072509	166, 190	076023	104	076073	111
072510	166, 190	076024	104	076074	111
072511	166	076025	104	076075	111
072512	166, 190	076026	104	076076	113
072513	166, 190	076027	104	076077	113
072514	166, 190	076028	104	076078	113
072515	166	076029	104	076079	113
072516	166	076030	104	076080	113
072517	166	076031	105	076081	113, 116
072518	166, 190	076032	105	076082	113
072519	166	076033	105	076083	113
072520	166, 190	076034	105	076084	114
072521	166	076035	105	076085	114
072522	166, 190	076036	105	076086	114
072523	166, 190	076037	105	076087	114
072524	166	076038	105	076088	114
072525	166	076039	106	076089	114
072526	166, 190	076040	106	076090	114
072527	166	076041	106	076091	118
072528	166	076042	106	076092	118
072529	166, 190	076043	106	076093	118
072530	166	076044	106	076094	118
072531	166	076045	106	076095	118
072532	190	076046	108	076096	118, 122
072533	166	076047	108	076097	118
072534	166	076048	108	076098	118
072535	190	076049	108	076099	118
072536	166	076050	108	076100	120
076000	96	076051	108	076101	120
076001	96	076052	108	076102	120
076002	96	076053	108	076103	120
076003	96	076054	109	076104	120
076004	96	076055	109	076105	120
076005	96, 102	076056	109	076106	120
076006	96	076057	109	076107	120
076007	96	076058	109	076108	126
076008	98	076059	109	076109	126
076009	98	076060	109	076110	126
076010	98	076061	109	076111	126
076011	98	076062	109	076112	126
076012	98	076063	111	076113	126, 128
076014	98	076064	111	076114	126
076015	98	076065	111, 112	076115	126
076016	98	076066	111	076116	127, 128

# PART NUMBER INDEX



Part Number	Page	Part Number	Page	Part Number	Page
076117.....	127	076167.....	112	076217.....	128
076118.....	127	076168.....	112	076218.....	128
076119.....	127	076169.....	112	076219.....	128
076120.....	127	076170.....	112	076220.....	96
076121.....	127	076171.....	112	076221.....	96
076122.....	127	076172.....	112	076222.....	96
076123.....	127	076173.....	112	076223.....	96
076124.....	127	076174.....	112	076224.....	98
076125.....	102	076175.....	112	076225.....	98
076126.....	102	076176.....	111, 112	076226.....	98
076127.....	102	076177.....	112	076227.....	98
076128.....	102	076178.....	112	076228.....	98
076129.....	102	076179.....	112	076229.....	98
076130.....	102	076180.....	112	076230.....	98
076131.....	102	076181.....	116	076231.....	104
076132.....	98, 102	076182.....	116	076232.....	104
076133.....	98, 102	076183.....	116	076233.....	104
076134.....	102	076184.....	116	076234.....	104
076135.....	98, 102	076185.....	116	076235.....	104
076136.....	102	076186.....	116	076236.....	104
076137.....	102	076187.....	116	076237.....	104
076138.....	102	076188.....	114, 116	076238.....	104
076139.....	102	076189.....	116	076239.....	105
076140.....	102	076190.....	122	076240.....	105
076141.....	107	076191.....	122	076241.....	105
076142.....	107	076192.....	122	076242.....	105
076143.....	107	076193.....	122	076243.....	106
076144.....	107	076194.....	122	076244.....	106
076145.....	107	076195.....	122	076245.....	106
076146.....	107	076196.....	124	076246.....	108
076147.....	107	076197.....	120, 124	076247.....	108
076148.....	106, 107	076198.....	124	076248.....	108
076149.....	107	076199.....	124	076249.....	108
076150.....	110	076200.....	120, 124	076250.....	109
076151.....	110	076201.....	124	076251.....	109
076152.....	110	076202.....	124	076252.....	109
076153.....	110	076203.....	124	076253.....	109
076154.....	110	076204.....	128	076254.....	109
076155.....	110	076205.....	128	076255.....	109
076156.....	110	076206.....	128	076256.....	109
076157.....	109, 110	076207.....	128	076257.....	111
076158.....	110	076208.....	128	076258.....	111
076159.....	110	076209.....	128	076259.....	111
076160.....	110	076210.....	128	076260.....	111
076161.....	110	076211.....	127, 128	076261.....	111
076162.....	110	076212.....	128	076262.....	111
076163.....	110, 111	076213.....	128	076263.....	111
076164.....	110	076214.....	127, 128	076264.....	111
076165.....	110	076215.....	128	076265.....	113
076166.....	112	076216.....	128	076266.....	113

ULTRA KLEEN

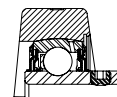
E-Z KLEEN

EXTREME DUTY

IMPERIAL-HD

S2000-HD

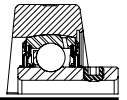
PART NUMBER INDEX



# PART NUMBER INDEX

Part Number	Page	Part Number	Page	Part Number	Page
076267	113	076318	110	123077	88
076268	113	076319	110	123234	88
076269	114	076320	110	123409	88
076270	114	076321	110	123413	88
076271	114	076322	110	123460	88
076272	114	076323	110	124931	88
076273	114	076324	112	124932	88
076274	118	076325	112	125004	88
076275	118	076326	112	125005	88
076276	118	076329	112	125873	88
076277	118	076330	112	125874	88
076278	118	076331	112	126629	89
076279	120	076332	112	126630	89
076280	120	076333	112	126631	89
076281	120	076334	122	126632	89
076282	120	076335	122	126633	89
076283	120	076336	122	126634	89
076284	120	076337	122	126635	89
076286	126	076338	122	126685	89
076287	126, 128	076339	124	126686	89
076288	126	076340	124	126687	89
076289	127	076341	124	126688	89
076290	127	076342	124	126689	89
076291	127	076343	124	126690	89
076292	127	076344	128	126691	89
076293	127	076346	128	126692	89
076294	127	076347	128	126693	89
076295	127	076348	128	126694	89
076296	102	076349	128	126695	89
076297	102	076350	128	126696	89
076298	102	076351	128	126697	89
076299	102	076352	128	126698	89
076300	102	076353	128	126699	89
076301	102	076354	128	127073	88
076302	102	076410	116	127500	52
076303	102	076411	116	127501	52
076304	102	076412	116	127502	52
076305	102	076413	116	127503	52
076306	102	076414	116	127504	52
076307	107	076415	116	127505	52
076308	107	076416	116	127506	52
076309	107	077285	157	127507	52
076310	107	123069	88	127508	52
076311	107	123070	88	127509	60
076312	107	123071	88	127510	60
076313	110	123072	88	127511	60
076314	110	123073	88	127512	60
076315	110	123074	88	127513	60
076316	110	123075	88	127514	60
076317	110, 112	123076	88	127515	77

# PART NUMBER INDEX



Part Number	Page	Part Number	Page	Part Number	Page
127516.....	77	127566.....	65	127619.....	85
127517.....	77	127567.....	65	127620.....	85
127518.....	77	127568.....	65	127621.....	85
127519.....	77	127569.....	65	127622.....	85
127520.....	77	127570.....	71	127623.....	56
127521.....	71, 77	127574.....	83	127624.....	56
127522.....	71, 77	127575.....	83	127625.....	56
127523.....	71, 77	127576.....	83	127626.....	56
127524.....	65	127577.....	83	127627.....	56
127525.....	65	127578.....	56	127628.....	56
127526.....	65	127579.....	56	127629.....	56
127527.....	65	127580.....	56	127630.....	61
127528.....	65	127581.....	56	127631.....	61
127529.....	65	127582.....	56	127632.....	61
127530.....	65	127583.....	56	127633.....	61
127531.....	65	127584.....	56	127634.....	79
127532.....	65	127585.....	56	127635.....	79
127533.....	71	127586.....	56	127636.....	79
127534.....	71	127587.....	61	127637.....	79
127535.....	71	127588.....	61	127638.....	79
127536.....	71	127589.....	61	127639.....	79
127537.....	71	127590.....	61	127640.....	79
127538.....	71	127591.....	61	127641.....	67
127539.....	83	127592.....	61	127642.....	67
127540.....	83	127593.....	79	127643.....	67
127541.....	83	127594.....	79	127644.....	67
127542.....	83	127595.....	79	127645.....	67
127543.....	83	127596.....	79	127646.....	67
127544.....	83	127597.....	79	127647.....	67
127545.....	52	127598.....	79	127648.....	73
127546.....	52	127599.....	79	127649.....	73
127547.....	52	127600.....	79	127650.....	73
127548.....	52	127601.....	79	127651.....	73
127549.....	52	127602.....	67	127652.....	85
127550.....	52	127603.....	67	127653.....	85
127551.....	52	127604.....	67	127654.....	85
127552.....	60	127605.....	67	127655.....	85
127553.....	60	127606.....	67	127670.....	54
127554.....	60	127607.....	67	127671.....	54
127555.....	60	127608.....	18, 67	127672.....	54
127556.....	77	127609.....	22, 67	127673.....	54
127557.....	77	127610.....	67	127674.....	54
127558.....	77	127611.....	73	127675.....	54
127559.....	77	127612.....	73	127676.....	55
127560.....	77	127613.....	73	127677.....	55
127561.....	77	127614.....	73	127678.....	55
127562.....	77	127615.....	73	127679.....	55
127563.....	65	127616.....	73	127680.....	55
127564.....	65	127617.....	85	127681.....	66
127565.....	65	127618.....	85	127682.....	66

ULTRA KLEEN

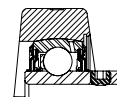
E-Z KLEEN

EXTREME DUTY

IMPERIAL-HD

S2000-HD

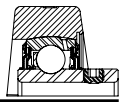
PART NUMBER INDEX



# PART NUMBER INDEX

Part Number	Page	Part Number	Page	Part Number	Page
127683.....	66	127734.....	80	128655.....	89
127684.....	66	127735.....	80	128656.....	89
127685.....	66	127736.....	80	128657.....	89
127686.....	66	127737.....	80	128658.....	89
127687.....	66	127738.....	80	128659.....	89
127688.....	66	127739.....	58	128660.....	89
127689.....	78	127740.....	58	128672.....	89
127690.....	78	127741.....	58	128684.....	89
127691.....	78	127742.....	58	128960.....	29, 90
127692.....	78	127743.....	58	128961.....	29, 90
127693.....	78	127744.....	58	128962.....	29, 90
127694.....	14, 78	127745.....	68	128963.....	29, 90
127695.....	78	127746.....	68	128964.....	29, 90
127696.....	78	127747.....	68	128965.....	29, 90
127697.....	54	127748.....	68	128966.....	29, 90
127698.....	54	127749.....	68	128974.....	29, 90
127699.....	54	127750.....	68	128975.....	29, 90
127700.....	55	127751.....	80	128976.....	29, 90
127701.....	55	127752.....	80	128977.....	29, 90
127702.....	55	127753.....	80	128978.....	29, 90
127703.....	66	127754.....	80	128980.....	29, 90
127704.....	66	127755.....	80	128989.....	29, 90
127705.....	66	127756.....	80	128990.....	29, 90
127706.....	66	127804.....	28	128991.....	29, 90
127707.....	66	127808.....	28	128992.....	29, 90
127708.....	66	127818.....	28	128993.....	29, 90
127709.....	78	127819.....	28	128994.....	29, 90
127710.....	78	127820.....	28	128996.....	29, 90
127711.....	78	127821.....	28	128997.....	29, 90
127712.....	78	127822.....	28	129244.....	48
127713.....	78	127823.....	28	129245.....	48
127714.....	78	127824.....	28	129246.....	48
127715.....	58	127825.....	28	129247.....	48
127716.....	58	127826.....	28	129248.....	48
127717.....	58	127861.....	28	129249.....	48
127718.....	58	127862.....	28	129250.....	48
127719.....	58	127863.....	28	129251.....	48
127720.....	58	127864.....	28	129252.....	48
127721.....	58	127865.....	28	129253.....	48
127722.....	58	127866.....	28	129254.....	48
127723.....	68	127867.....	28	129255.....	48
127724.....	68	128646.....	89	129256.....	48
127725.....	68	128647.....	89	129257.....	48
127726.....	68	128648.....	89	129258.....	48
127727.....	68	128649.....	89	129259.....	48
127728.....	68	128650.....	89	129260.....	50
127729.....	68	128651.....	89	129261.....	50
127730.....	68	128652.....	89	129262.....	50
127731.....	80	128653.....	89	129263.....	50
127732.....	80	128654.....	89	129264.....	50
127733.....	80				

# PART NUMBER INDEX



Part Number	Page	Part Number	Page	Part Number	Page
129265	50	129368	64	129575	64
129266	50	129392	48	129576	64
129267	50	129393	48	129577	64
129268	50	129395	74	129578	64
129269	50	129396	48	129579	86
129270	50	129530	48	129580	86
129271	50	129531	48	129581	86
129272	50	129532	48	129582	86
129273	50	129533	48	129583	86
129274	50	129534	48	129584	86
129275	50	129535	48	129585	86
129291	59	129536	48	129602	48, 50
129292	59	129537	59	129603	48
129293	59	129538	59	129605	50
129294	59	129539	59	129606	48, 50
129295	59	129540	59	129611	48
129296	59	129541	74	129612	50
129297	59	129542	74	129613	48, 50
129298	59	129543	74	129627	70
129299	59	129544	74	129629	70
129300	59	129545	74	129631	70
129339	62	129546	74	129632	70
129340	62	129547	74	129634	70
129341	62	129548	62	129635	70
129342	62	129549	62	129705	74
129343	62	129550	62	129706	74
129344	62	129551	62	129707	74
129345	62	129552	62	129708	74
129346	62	129553	62	129709	74
129347	62	129554	62	129710	74
129348	62	129555	70	129711	74
129349	62	129556	70	129712	74
129350	62	129557	70	129713	74
129351	62	129558	70	129714	74
129352	62	129559	50	129715	74
129353	62	129560	50	129716	74
129354	62	129561	50	129717	74
129355	64	129562	50	129718	74
129356	64	129563	50	129719	74
129357	64	129564	50	129720	74
129358	64	129565	50	129721	76
129359	64	129566	50	129722	76
129360	64	129567	76	129723	76
129361	64	129568	76	129724	76
129362	64	129569	76	129725	76
129363	64	129570	76	129726	76
129364	64	129571	76	129727	76
129365	64	129572	76	129728	76
129366	64	129573	64	129729	76
129367	64	129574	64	129730	76

ULTRA KLEEN

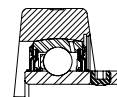
E-Z KLEEN

EXTREME DUTY

IMPERIAL-HD

S2000-HD

PART NUMBER INDEX

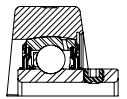


# PART NUMBER INDEX

Part Number	Page	Part Number	Page	Part Number	Page
129731.....	76	129985.....	48, 62, 74, 86	136723.....	20
129732.....	76	129986... 48, 50, 62, 64, 74, 76, 86		136724.....	20
129733.....	76	129988.....	59	136725.....	22
129734.....	76	129989.....	59	136726.....	22
129825.....	86	129990.....	59	136727.....	22
129826.....	86	129991.....	59	136728.....	22
129827.....	86	136315.....	82	136729.....	22
129828.....	86	136316.....	82	136730.....	22
129829.....	86	136317.....	82	136731.....	22
129830.....	86	136318.....	82	136732.....	22
129831.....	86	136319.....	82	136733.....	22
129832.....	86	136320.....	82	136734.....	24
129833.....	86	136321.....	82	136735.....	24
129834.....	86	136322.....	82	136736.....	24
129835.....	86	136323.....	82	136737.....	24
129836.....	86	136324.....	82	136738.....	24
129837.....	86	136325.....	82	136739.....	24
129838.....	86	136326.....	82	136740.....	14
129839.....	86	136327.....	82	136741.....	14
129840.....	86	136328.....	82	136742.....	14
129967..... 48, 50, 59, 62, 64, 70, 74, 76, 82, 86		136329.....	82	136743.....	14
129968..... 48, 50, 59, 62, 64, 70, 74, 76, 82, 86		136330.....	82	136744.....	14
129969..... 48, 50, 59, 62, 64, 70, 74, 76, 82, 86		136695.....	14	136745.....	14
129970..... 50, 59, 62, 64, 70, 74, 76, 82, 86		136696.....	14	136746.....	14
129971..... 50, 59, 62, 64, 70, 74, 76, 82, 86		136697.....	14	136747.....	16
129972..... 48, 50, 59, 62, 64, 70, 74, 76, 82, 86		136698.....	14	136748.....	16
129973..... 48, 50, 59, 62, 64, 70, 74, 76, 82, 86		136699.....	14	136749.....	16
129974..... 48, 50, 59, 62, 64, 70, 74, 76, 82, 86		136700.....	14	136750.....	16
129975..... 50, 62, 64, 74, 76, 86		136701.....	14	136751.....	18
129976..... 48, 62, 74, 86		136702.....	14	136752.....	18
129977..... 48, 62, 74, 86		136703.....	14	136753.....	18
129978... 48, 50, 62, 64, 74, 76, 86		136704.....	16	136754.....	18
129979... 48, 50, 62, 64, 74, 76, 86		136705.....	16	136755.....	18
129980..... 48, 50, 59, 62, 64, 74, 76, 82, 86		136706.....	16	136756.....	18
129981..... 48, 50, 59, 62, 64, 74, 76, 82, 86		136707.....	16	136757.....	18
129982..... 50, 59, 62, 64, 74, 76, 82, 86		136708.....	16	136758.....	20
129983..... 48, 50, 59, 62, 64, 74, 76, 82, 86		136709.....	16	136759.....	20
129984..... 50, 62, 64, 74, 76, 86		136710.....	18	136760.....	20
		136711.....	18	136761.....	20
		136712.....	18	136762.....	22
		136713.....	18	136763.....	22
		136714.....	18	136764.....	22
		136715.....	18	136765.....	22
		136716.....	18	136766.....	22
		136717.....	18	136767.....	22
		136718.....	18	136768.....	22
		136719.....	20	136769.....	24
		136720.....	20	136770.....	24
		136721.....	20	136771.....	24
		136722.....	20	136772.....	24



# PART NUMBER INDEX



Part Number	Page	Part Number	Page	Part Number	Page
136773.....	15	136830.....	23	136885.....	23
136774.....	15	136831.....	23	136886.....	23
136775.....	15	136832.....	23	136887.....	23
136776.....	15	136833.....	26	136888.....	23
136777.....	15	136834.....	26	136889.....	23
136778.....	15	136835.....	26	136890.....	23
136779.....	15	136836.....	26	136891.....	26
136780.....	15	136837.....	26	136892.....	26
136781.....	15	136838.....	26	136893.....	26
136782.....	15	136839.....	26	136894.....	26
136783.....	15	136840.....	26	136895.....	26
136784.....	17	136841.....	25	136896.....	26
136785.....	17	136842.....	25	136897.....	25
136786.....	17	136843.....	25	136898.....	25
136787.....	17	136844.....	25	136899.....	25
136788.....	17	136845.....	25	136900.....	25
136789.....	17	136846.....	25	136901.....	25
136792.....	17	136847.....	25	136902.....	25
136793.....	19	136848.....	25	136912.....	60
136794.....	19	136849.....	15	136913.....	60
136795.....	19	136850.....	15	136914.....	60
136796.....	19	136851.....	15	136915.....	60
136797.....	19	136852.....	15	136916.....	60
136798.....	19	136853.....	15	136917.....	60
136799.....	19	136854.....	15	136918.....	60
136800.....	19	136855.....	17	136919.....	60
136801.....	21	136856.....	17	136920.....	72
136802.....	21	136857.....	17	136921.....	72
136803.....	21	136858.....	17	136922.....	72
136804.....	21	136859.....	17	136923.....	72
136805.....	21	136860.....	17	136924.....	72
136806.....	21	136861.....	19	136925.....	72
136808.....	21	136862.....	19	136926.....	72
136809.....	27	136863.....	19	136927.....	69
136810.....	27	136864.....	19	136928.....	69
136811.....	27	136865.....	19	136929.....	69
136812.....	27	136866.....	19	136930.....	69
136813.....	27	136867.....	21	136931.....	69
136814.....	27	136868.....	21	136932.....	69
136817.....	27	136869.....	21	136933.....	69
136818.....	27	136870.....	21	136934.....	69
136819.....	27	136872.....	21	136935.....	69
136820.....	27	136873.....	27	136936.....	69
136821.....	27	136874.....	27	136937.....	69
136822.....	27	136875.....	27	136938.....	69
136825.....	23	136876.....	27	136939.....	81
136826.....	23	136879.....	27	136940.....	81
136827.....	23	136880.....	27	136941.....	81
136828.....	23	136881.....	27	136942.....	81
136829.....	23	136882.....	27	136943.....	81

ULTRA KLEEN

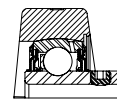
E-Z KLEEN

EXTREME DUTY

IMPERIAL-HD

S2000-HD

PART NUMBER INDEX



# PART NUMBER INDEX

ULTRA KLEEN

E-Z KLEEN

EXTREME DUTY

IMPERIAL-HD

S2000-HD

PART NUMBER INDEX

Part Number	Page	Part Number	Page	Part Number	Page
136944.....	81	136994.....	26		
136945.....	81	136995.....	25		
136946.....	81				
136947.....	84				
136948.....	84				
136949.....	84				
136950.....	84				
136951.....	84				
136952.....	84				
136953.....	84				
136954.....	84				
136955.....	60				
136956.....	60				
136957.....	60				
136958.....	60				
136959.....	60				
136960.....	60				
136961.....	72				
136962.....	72				
136963.....	72				
136964.....	72				
136965.....	72				
136966.....	69				
136967.....	69				
136968.....	69				
136969.....	69				
136970.....	69				
136971.....	69				
136972.....	69				
136973.....	69				
136974.....	81				
136975.....	81				
136976.....	81				
136977.....	81				
136978.....	81				
136979.....	81				
136980.....	84				
136981.....	84				
136982.....	84				
136983.....	84				
136984.....	84				
136985.....	84				
136986.....	14				
136987.....	18				
136988.....	22				
136989.....	15				
136990.....	17				
136991.....	19				
136992.....	21				
136993.....	23				



For Additional information about DODGE Bearing Products,  
DODGE Gearing Products or DODGE PT Components:

> contact your local authorized DODGE Distributor

> contact us at **864.297.4800**

> visit us on the web at

[www.dodge-pt.com](http://www.dodge-pt.com)

[www.PTplace.com](http://www.PTplace.com)



---

**World Headquarters**

P.O. Box 2400, Fort Smith, AR 72902-2400 U.S.A., Ph: (1) 479.646.4711, Fax (1) 479.648.5792, International Fax (1) 479.648.5895

**Baldor - Dodge**

6040 Ponders Court, Greenville, SC 29615-4617 U.S.A., Ph: (1) 864.297.4800, Fax: (1) 864.281.2433

**[www.baldor.com](http://www.baldor.com)**