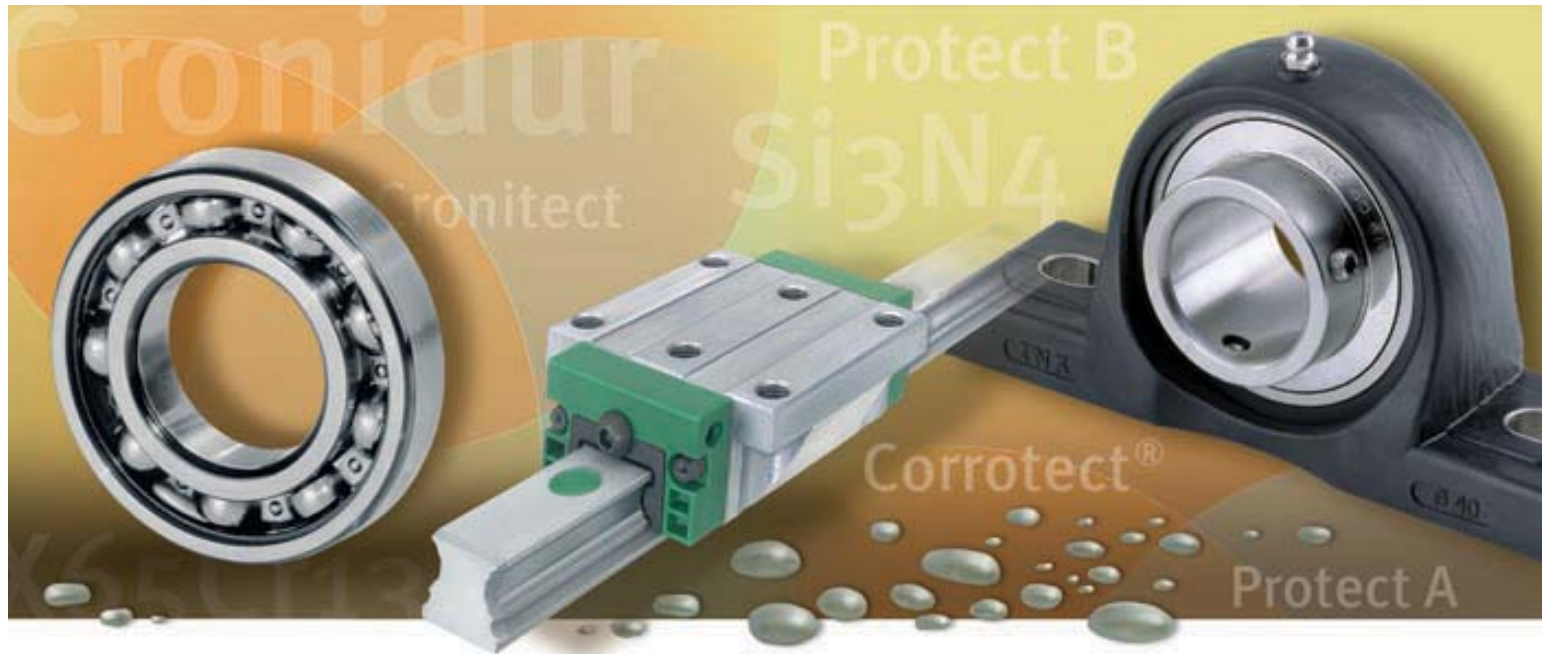




FAG



Corrosion-resistant products

Foreword

INA and FAG products have proved themselves over many years, even under critical and problematic environmental conditions. Their use may, however, be restricted by corrosive or chemical media such as those present in agriculture, mining, the chemical industry and in the food and drinks industry.

Range

For applications involving these demanding requirements for anti-corrosion protection, reliability and operating life, we now offer an expanded range of corrosion-resistant products that are presented together in this publication:

- deep groove ball bearings, miniature deep groove ball bearings
- insert bearings and housing units
- yoke and stud type track rollers
- linear guidance systems
- Permaglide[®] plain bearings
- maintenance-free ELGES rod ends.

Special coatings, special materials

The bearings are made from high alloy, corrosion-resistant steels or are coated with the special coating Corrotect[®], Durotect[®] CK (Protect A) or Durotect[®] CK⁺ (Protect B). The housings are made from Corrotect[®] coated flake graphite cast iron or glass fibre reinforced plastic. The plastic is highly resistant to moisture, UV radiation, bacteriological and fungal attacks as well as many chemical media. The plain bearings comprise the maintenance-free P11 or the maintenance-free and lead-free P143.

Additional measures

The positive characteristics of the products are completed by additional anti-corrosion measures such as high performance plastics for cases and seals as well as particularly high performance ceramic components matched to the application. As a result, there is no longer any obstacle to the successful, long term use of the machine elements under problematic and corrosive conditions.

Replacement for ...

This edition replaces TPI 64, issued in April 2007. The data in the catalogue represent the current level of technology and manufacture as of May 2008. They reflect not only progress in rolling bearing technology but also the experience gathered in practical use. Any information in previous publications that does not concur with the data in this Technical Product Information is therefore invalid.

Safety guidelines and symbols

High product safety

Our products correspond to the current level of research and technology. If the bearing arrangement is designed correctly, the products are handled and fitted correctly and as agreed and if they are maintained as instructed, they do not give rise to any direct hazards.

Follow instructions

This publication describes standard products. Since these are used in numerous applications, we cannot make a judgement as to whether any malfunctions will cause harm to persons or property.

It is always and fundamentally the responsibility of the designer and user to ensure that all specifications are observed and that all necessary safety information is communicated to the end user. This applies in particular to applications in which product failure and malfunction may constitute a hazard to human beings.

Definition of guidelines and symbols

The warning and hazard symbols are defined along the lines of ANSI Z535.6–2006.

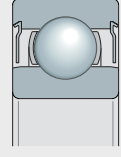
The meaning of the guidelines and symbols is as follows.



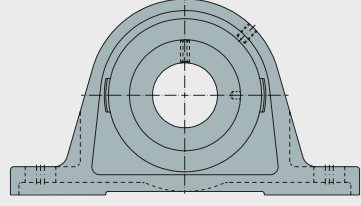
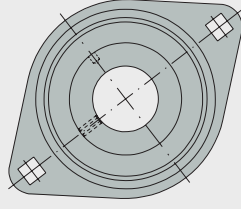
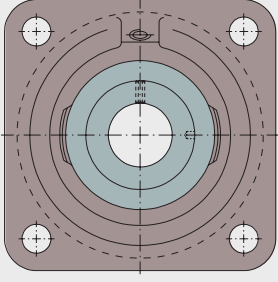
If they are not observed, damage or malfunctions in the product or the adjacent construction will occur.

Contents

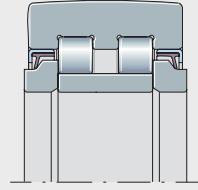
	Page
Safety guidelines and symbols	2
Product overview	4
Technical principles.....	6
Deep groove ball bearings, miniature deep groove ball bearings	26
Insert bearings and housing units	39
Insert bearings.....	42
Housing units with cast iron or sheet steel housing.....	50
Housing units with plastic housing	60
Yoke and stud type track rollers	80
Linear guidance systems	89
Monorail guidance systems.....	92
Track roller guidance systems	96
Linear ball bearings and solid shafts	98
Miniature guidance systems.....	108
Driven linear units.....	112
Screw drives	114
Maintenance-free Permaglide® plain bearings	116
Maintenance-free ELGES rod ends.....	126



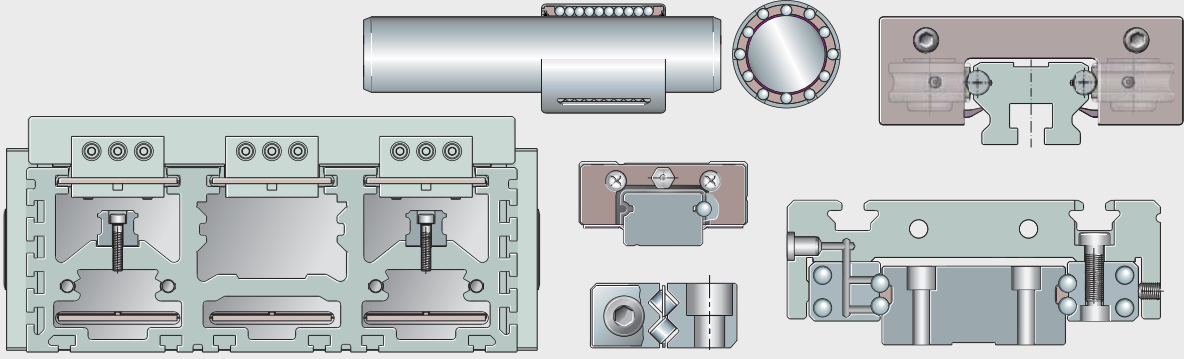
135 455



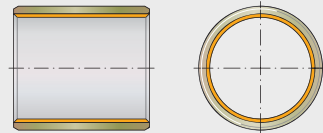
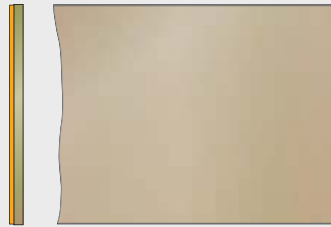
214 508



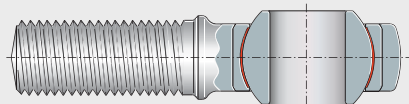
110 252



217 110

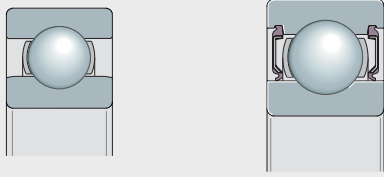


136 500



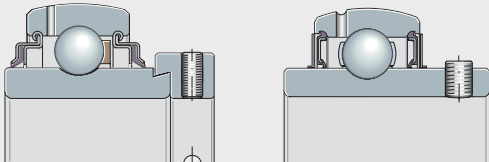
118 129

Materials, coatings, lubricants



135 453

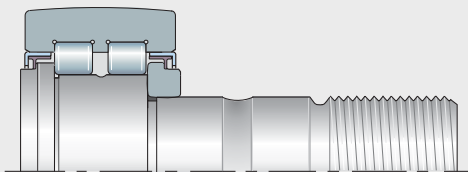
Deep groove ball bearings Miniature deep groove ball bearings



214 507

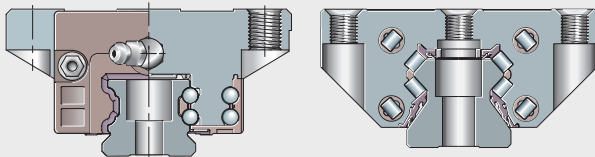
Insert bearings and housing units

- Radial insert ball bearings
- Housing units with cast iron or sheet steel housing
- Housing units with plastic housing



110 251

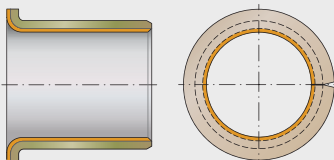
Yoke type track rollers Stud type track rollers



217 109

Linear guidance systems

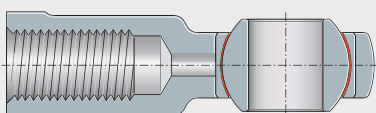
- Monorail guidance systems
- Track roller guidance systems
- Linear ball bearings and solid shafts
- Miniature guidance systems
- Driven linear units
- Ballscrews



136 499

Maintenance-free Permaglide® plain bearings

- Bushes
- Flanged bushes
- Strips

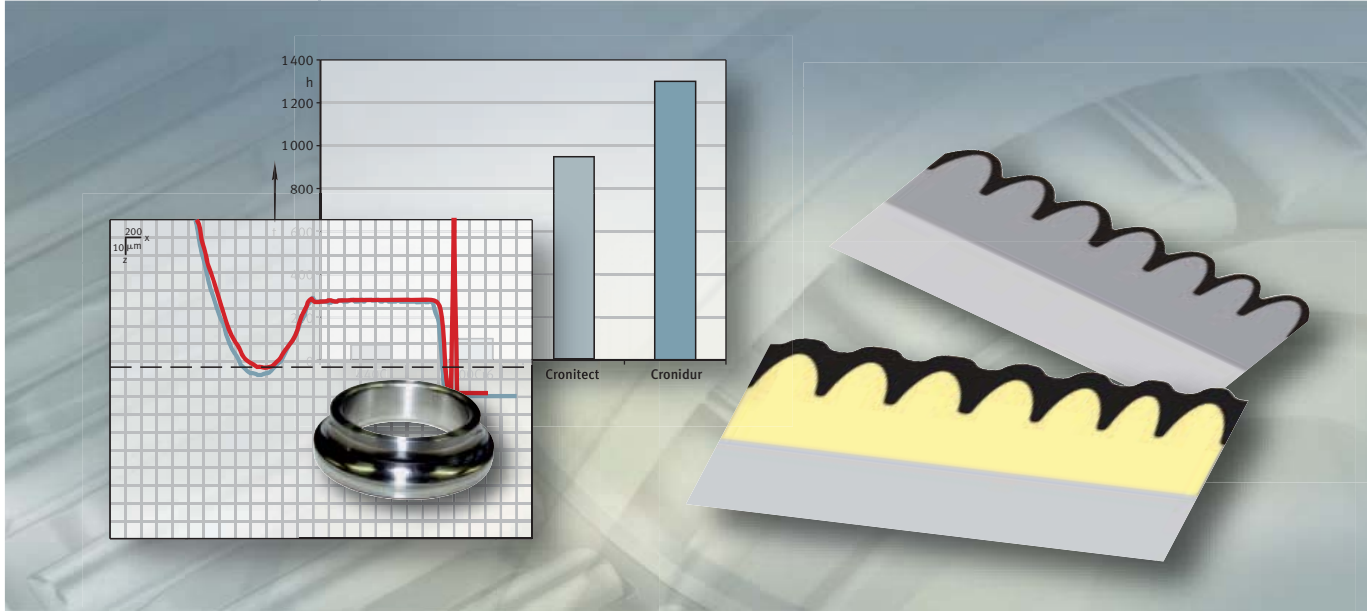


118 128

Maintenance-free ELGES rod ends



FAG



Materials
Coatings
Lubricants



Materials, coatings, lubricants

	Page
Materials	
Corrosion-resistant steels	8
High performance steels Cronidur and Cronitect	8
Media resistance	10
Wear resistance	12
Fatigue life.....	13
Ceramic in hybrid bearings	14
Insensitive to inadequate lubrication and dry running.....	14
Media resistance of silicon nitride	15
High performance plastic PAEK	16
Characteristics of the plastic	16
Applications	17
Coatings	
Types of coatings.....	18
Special coating Corrotect®	19
Basic data	19
Characteristics of the coating	20
Durotect® CK (Protect A)	21
Anti-corrosion and anti-wear protection	21
Advantages of the coating	21
Technical/physical data	21
Durotect® CK+ (Protect B)	22
Anti-corrosion and high anti-wear protection	22
Advantages of the coating	22
Technical/physical data	22
Lubricants	
Greases.....	23
Arcanol greases for relubrication	23
Lubricants for the food industry.....	23
Greases with high media resistance	23
Greases for clean room applications.....	23
Further information	23

Materials

Corrosion-resistant steels

In addition to the special coatings Corrotect[®], Durotect[®] CK (Protect A) and Durotect[®] CK⁺ (Protect B), there is also a range of corrosion-resistant materials for rolling bearings operating in corrosive environments.

Steels used as standard and proven in this situation include: X90CrMoV18 (material no. 1.4112), X105CrMoV18 (material no. 1.4125) and X46Cr13 (material no. 1.4034).

These materials have satisfactory corrosion resistance in many media.

High performance steels Cronidur and Cronitect

For higher performance requirements, highly corrosion-resistant, nitrogen alloyed martensitic HNS steels (High Nitrogen Steel) such as Cronidur and the newly developed steel Cronitect are also available by agreement. In contrast to Cronidur, Cronitect has nitrogen introduced into the structure by means of a surface layer hardening process.

Both steels are clearly superior to conventional corrosion-resistant steels for rolling bearings in terms of corrosion resistance, wear resistance and fatigue strength.

Corrosion resistance

Objective statements on the corrosion resistance of a material can be obtained by means of passive current density measurements. As a function of the electrical voltage, the current flowing in an electrolyte between two electrodes made from the material under investigation is measured. The corrosion resistance increases as the current measured decreases.

Although steel classified as corrosion-resistant 440C has a higher chromium content, its corrosion resistance is significantly lower than that of Cronidur and Cronitect. The reason lies in the different interactions between the chemical compounds that chromium forms with carbon and nitrogen respectively. The chromium content effective against corrosion is reduced in comparison with its initial condition by carbon during heat treatment.

Due to their special quenching and tempering and surface treatment, Cronidur and Cronitect have very high corrosion resistance against aqueous media and heavily diluted acids, alkalines or salt solutions. They are therefore suitable for a wide range of applications, for example in clean rooms and electronic component manufacturing plant as well as in the pharmaceutical and food industries.

Salt spray test

In order to assess corrosion resistance, steels and coatings are subjected to a standardised salt spray test in accordance with DIN EN ISO 9 227.

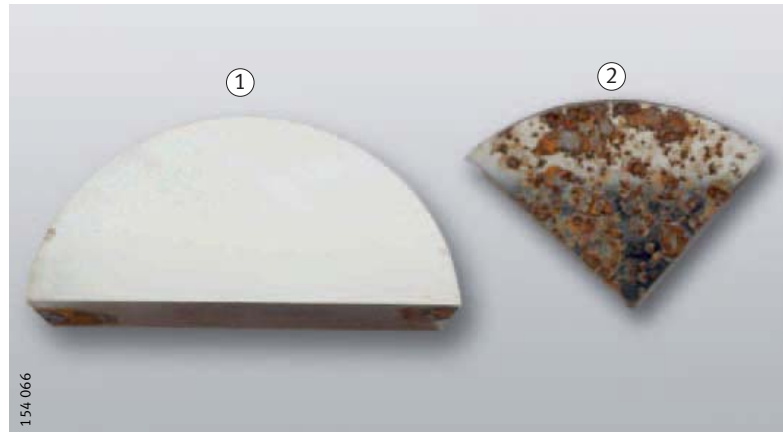
The results show clearly the extremely high resistance of the high performance steels Cronidur and Cronitect compared to the classic corrosion-resistant steels and coatings.

While the typical rolling bearing steel X46Cr13 shows clear signs of corrosion after only approx. 6 h, Cronidur and Cronitect are up to 200 times more resistant compared to the corrosion-resistant steels, see *Figure 1* to *Figure 3*, page 9.



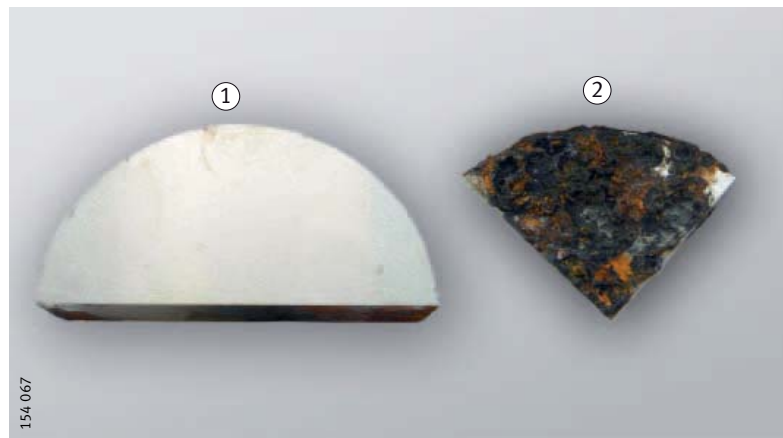
- ① Cronitect
- ② 440C steel

Figure 1
Corrosion resistance,
comparison after 24 h
in salt spray test



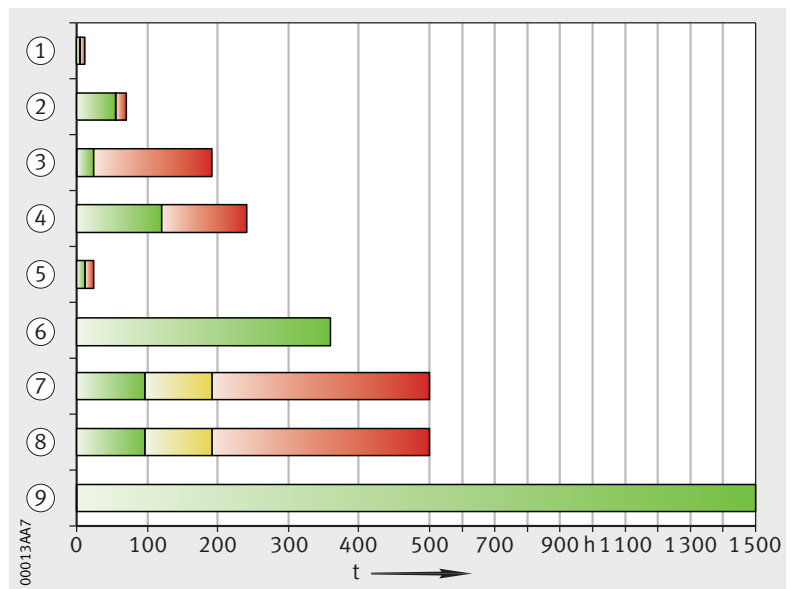
- Cronitect
- 440C steel

Figure 2
Corrosion resistance,
comparison after 500 h
in salt spray test



- t = corrosion resistance in hours
- X46Cr13
 - X105CrMo17 (440C)
 - ③ Durotect® CK (Protect A), 2 μm
 - ④ Durotect® CK+ (Protect B), 2 μm
 - ⑤ Durotect® CM, 2 μm
 - ⑥ Durotect® CM, 50 μm, to 360 h possible, depending on post-treatment
 - ⑦ Corrotect® A*, free from Cr(VI)
 - ⑧ Corrotect® C, containing Cr(VI)
 - ⑨ Cronitect

Figure 3
Corrosion resistance,
comparison:
Corrosion-resistant steels,
coatings, Cronitect



Materials

Media resistance In the food industry in particular, the resistance of the material in relation to various cleaning agents is of increasing importance. In many cases, the corrosion resistance of conventional steels such as 440C is no longer sufficient. In this case too, the high performance steel Cronidur shows a significantly higher media resistance: see tables. The media resistance of Cronitect is comparable to that of Cronidur.

Resistance to media

Medium	Concentration	X65Cr13 (1.4037)		X5CrNi18-10 X4CrNi18-10 (1.4301)		Cronidur		X105CrMoV18 (440C) (1.4125)	
		20	80	20	80	20	80	20	80
	%	°C		°C		°C		°C	
Hydrochloric acid HCl	0,1	-	-	+	+	+	+	-	-
	1	-	-	(+)	-	-	-	-	-
	18	-	-	-	-	-	-	-	-
Sulphuric acid H ₂ SO ₄	1	-	-	+	-	-	-	-	-
	10	-	-	(+)	-	-	-	-	-
	96	(+)	-	+	(+)	-	-	-	-
Nitric acid HNO ₃	5	-	-	+	+	+	+	-	-
	25	+	(+)	+	+	+	+	+	(+)
	65	+	(+)	+	+	+	(+)	+	(+)
Phosphoric acid H ₃ PO ₃	1	+	+	+	+	+	+	+	+
	10	-	-	+	+	+	+	(+)	+
	85	+	-	+	+	+	(+)	+	-
Formic acid HCOOH	5	-	-	+	+	+	+	-	-
	25	-	-	+	+	+	(-)	-	-
Ethanoic acid CH ₃ COOH	5	(+)	-	+	+	+	+	+	-
	25	(+)	-	+	+	+	+	+	-

- + Resistant
- (+) Moderately resistant
- Barely usable
- (-) Not resistant



Resistance to media

Medium	Concentration %	X65Cr13 (1.4037)		X5CrNi18-10 X4CrNi18-10 (1.4301)		Cronidur		X105CrMoV18 (440C) (1.4125)	
Citric acid	5	(+)	-	+	+	+	+	+	+
	25	(+)	-	+	+	+	+	-	-
Sodium chloride NaCl	10	(-)	(-)	+	+	+	+	(-)	(-)
Sea water	4	(-)	(-)	+	+	+	+	(-)	(-)
Distilled water	-	+	+	+	+	+	+	+	+
Ammonia NH ₄ OH	1	+	+	+	+	+	+	+	+
	10	+	+	+	+	+	+	+	+
Potassium hydroxide solution KOH	0,1	+	+	+	+	+	+	+	+
	1	+	+	+	+	+	+	+	+
	10	+	+	+	+	+	+	+	+
Hydrogen fluoride HF	1	-	-	-	-	-	-	-	-
	5	n	-	n	-	n	-	n	-
Sulphurous acid H ₂ SO ₃	1	-	-	+	+	+	+	-	-
Chloroacetic acid	5	(+)	-	+	(+)	+	-	(+)	-
Sodium hypochlorite bleach	1	n	(-)	n	+	n	+	n	(-)
Hydrogen peroxide H ₂ O ₂	5	+	+	+	+	+	+	+	+

- + Resistant
- (+) Moderately resistant
- Barely usable
- (-) Not resistant
- n Not tested

The material is determined by the application

Which steels are used, whether a coating is more advisable or whether corrosion-resistant steels are better in technical terms or more cost-effective, is fundamentally dependent on the application.

Materials

Wear resistance

In order to achieve a long operating life, it is particularly important that a rolling bearing steel has high wear resistance where lubrication is poor, for example due to the effect of water. The wear resistance of a material can be assessed by methods including dry running tests.

Dry running test

Angular contact ball bearings 7205B with bearing rings made from 100Cr6 or Cronitect and ceramic rolling elements were compared in dry running. The speed was $1\,000\text{ min}^{-1}$, the contact pressure was $1\,350\text{ MPa}$ and the dry running time was 300 h.

The red curve indicates the surface profile at the start of the test, the blue curve indicates the surface profile at the end of the test, see *Figure 4* and *Figure 5*. While the curve at the end of the test deviates considerably from the initial curve in the case of 100Cr6 steel, indicating considerable wear, the two lines are approximately congruent in the case of Cronitect. The raceways made from the high performance steel Cronitect and, to a comparable extent also Cronidur, show hardly any changes or wear.

Due to the extremely high wear resistance, Cronidur and Cronitect are also suitable for dry running and media lubrication.

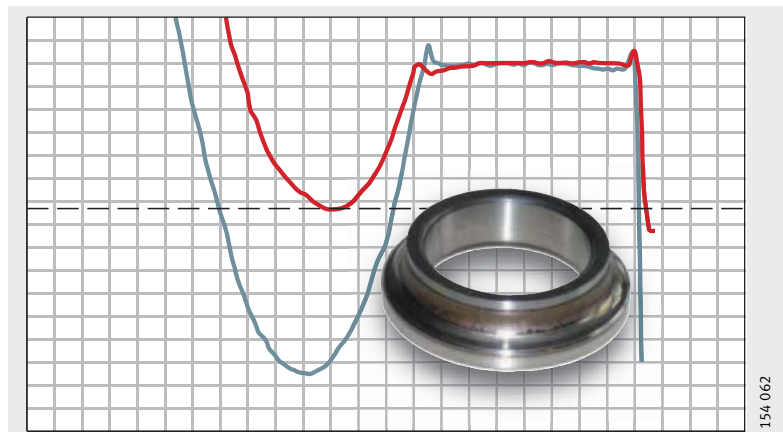


Figure 4
Bearing rings made from 100Cr6

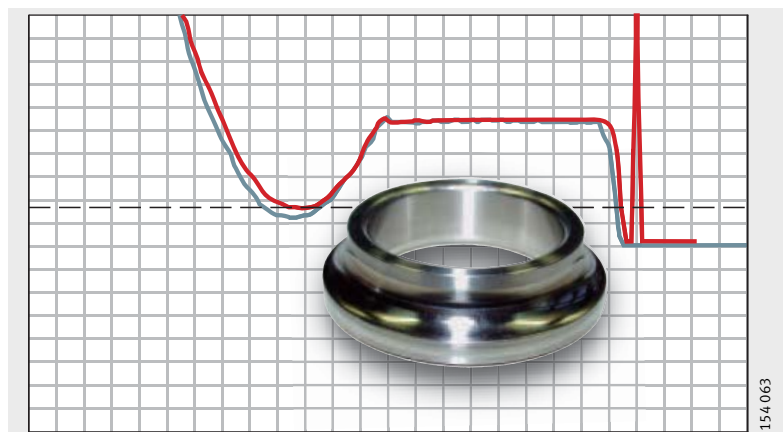


Figure 5
Bearing rings made from Cronitect



Fatigue life Where bearings are lubricated and the lubricant has good cleanliness, the bearing operating life is determined by the fatigue strength of the rolling bearing steel.

Life test The comparison of the material fatigue life determined for four materials in the test is shown in *Figure 6*. The contact pressure in the test was 2 500 MPa.

In comparison with the corrosion-resistant steel 440C, and to a similar extent for the standard rolling bearing steel 100Cr6, the fatigue limit life of Cronitect and Cronidur is higher by a factor 9 to 13.

The basic dynamic load rating C_r of ball bearings with rings made from Cronidur or Cronitect is, in comparison with conventional rolling bearing steel, up to 50% higher depending on the design.

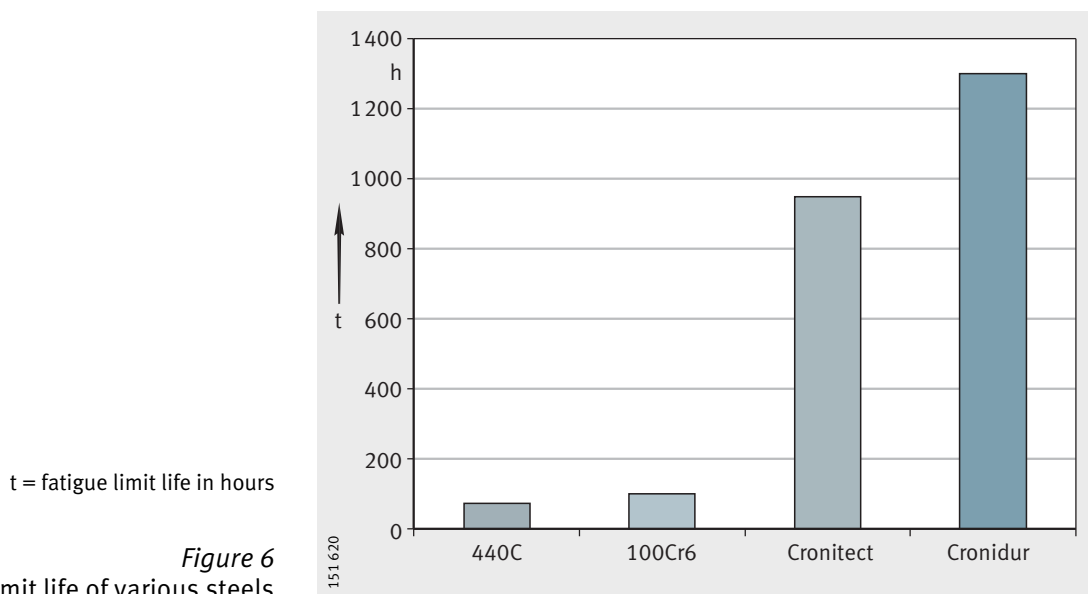


Figure 6
Fatigue limit life of various steels

Materials

Ceramic in hybrid bearings

Ceramic has become firmly established as an important group of materials for rolling bearing components. Since this material has a range of excellent characteristics, rolling elements made from silicon nitride Si_3N_4 are increasingly used in combination with coatings, special materials or very specific application-requirements.

Silicon nitride is light, has a long operating life and offers significant advantages in many applications. Ceramic balls made from Si_3N_4 are thus characterised, for example, by their low inherent mass together with high hardness, corrosion resistance and electrical insulation.

The significant differences compared to the classic rolling bearing steel 100Cr6 are shown in the table.

Advantages of pure hybrid bearings compared to steel bearings

Characteristics		Silicon nitride Si_3N_4	Rolling bearing steel 100Cr6
Density	g/cm^3	3,2	7,8
4 point bending strength	MPa	600 – 700	>2 500
Modulus of elasticity	GPa	300 – 330	200 – 210
Hardness HV10	GPa	1600	700
Fracture toughness	$\text{MPa m}^{1/2}$	7 – 8	20
Specific electrical resistance at +20 °C	Ω	$10^{17} - 10^{18}$	$10^{-1} - 1$
Coefficient of thermal expansion	10^{-6}K^{-1}	3,2	11,6
Thermal conductivity	$\text{Wm}^{-1}\text{K}^{-1}$	32	45
Corrosion behaviour		Good	Poor
Magnetism		None	Yes
Hot hardness		Good	Poor, good under certain conditions
Max. operating temperature	+°C	800 – 1000	150

Insensitive to inadequate lubrication and dry running

Rolling bearings made from steel tend to undergo adhesive wear at the rolling contact in conditions of poor lubrication. Metallic contact leads, particularly under high contact pressure at the rolling contact, to cold bonding at the surface, resulting in wear. Steel bearings are therefore not suitable for dry running and media lubrication.

Due to the favourable tribological characteristics of the ceramic/ steel material combination, the wear resistance is significantly higher in this case. In combination with the highly wear-resistant high performance steels Cronidur and Cronitect, a long bearing operating life is achieved with ceramic rolling elements under conditions of poor lubrication, media exposure or dry running.



Media resistance of silicon nitride

Silicon nitride has very good chemical resistance to most acids such as hydrochloric acid, sulphuric acid, nitric acid, phosphoric acid and alkalis such as sodium hydroxide solution at room temperature: see table. One exception is hydrofluoric acid. Ceramic has only moderate resistance in this case.

Resistance of various ceramics

Medium	Concentration %	Si ₃ N ₄ NBD200		Si ₃ N ₄ TSN03NH		ZrO ₂		SiC	
		RT	80 °C	RT	80 °C	RT	80 °C	RT	80 °C
Deionised water	–	+	+	+	+	+	+	+	+
Sea water	–	+	+	+	+	+	+	+	+
Sodium chloride	10	+	+	+	+	+	+	+	+
Ammonia	10	+	+	+	+	+	+	+	+
Potassium hydroxide solution	1	+	+	+	+	X	X	X	X
	10	+	+	+	+	+	+	+	+
Sodium hydroxide solution	1	+	+	+	+	X	X	X	X
	10	+	+	+	+	+	+	+	+
Citric acid	10	+	+	+	(+)	X	X	X	X
Hydrochloric acid	18	+	+	+	(+)	X	X	X	X
Sulphuric acid	49	+	+	+	(+)	+	+	+	+
Nitrohydrochloric acid	–	+	+	+	(+)	+	+	+	+
Phosphoric acid	10	+	+	+	(+)	X	X	X	X
	85	+	+	+	+	+	+	+	+
Hydrofluoric acid	1	(+)	–	+	–	X	X	X	X
	5	(+)	–	+	–	(+)	–	+	+
	20	(+)	–	+	–	–	–	+	+

- + Resistant
- (+) Moderately resistant
- Not resistant
- X Not resistant

Applications

Bearings with ceramic rolling elements are used in spindles for machine tools, in turbomolecular pumps as well as in electric motors and generators.

They are also used in preference in areas of application including medical equipment and aerospace. Due to their high specific resistance, furthermore, they are ideally suited where complete electrical insulation is required.

They are indispensable in bearing arrangements operating in environments with little lubrication or oil as well as in aggressive media.

Materials

High performance plastic PAEK

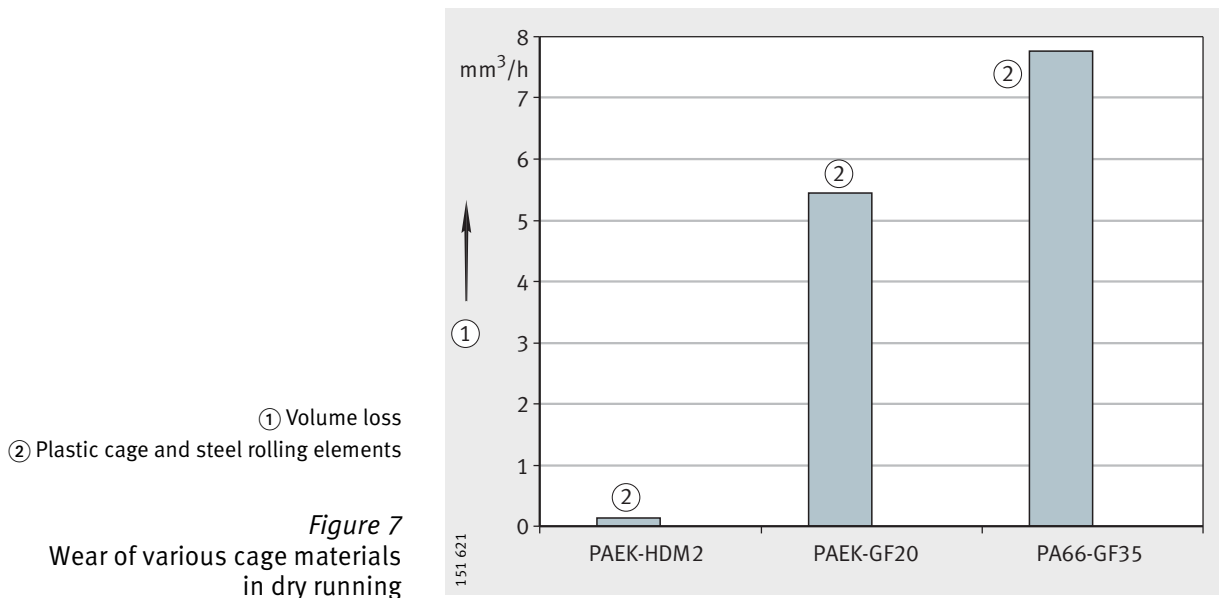
Polyaryletherketone (PAEK) is a high performance polymer that is optimally suitable for demanding applications in corrosive environments. Due to its excellent characteristics, this material is also increasingly used as a substitute for metals, composites and other polymers.

Characteristics of the plastic

Temperature-resistant,
wear-resistant, good for dry running

PAEK is resistant to high temperatures and, depending on the load, is suitable for operating temperatures up to +250 °C. The wear resistance is strongly influenced by the filler materials and is significantly better than that of the standard material PA66 with glass fibre reinforcement that is frequently used for cages.

It has good characteristics in dry running and excellent wear resistance at various grades of contact surface roughness over a wide range of pressures, speeds and temperatures, *Figure 7*.



Resistant to chemicals

Polyaryletherketone is a partially crystalline material that is highly resistant even at high temperatures to chemicals as well as organic and inorganic fluids, see table Resistance of PAEK cages in cleaning agents, page 17.

The composition and inherent purity of the material lead to extremely low smoke development and emission of toxic gases in a fire.



Resistance of PAEK cages in cleaning agents

Medium	Max. chloride concentration mg/l	Max. concentration	Temperature + °C	Resistant
Sodium hydroxide solution NaOH	500	5%	90	Yes
Phosphoric acid H ₃ PO ₄	200	5%	90	
Nitric acid HNO ₃	200	5%	90	
Sulphuric acid H ₂ SO ₄	150	1,5%	60	
Peracetic acid (Aseptic)	100	500 mg/l	40	
	5	2 000 mg/l	60	
	5	4 000 mg/l	60	
Monobromoacetic acid or mono-chloroacetic acid	100	1% mixed with each of 1%: H ₃ PO ₄ , HNO ₃ , H ₂ SO ₄	30	
NaOH + NaOCl Chloralkaline cleaner	300	5%	70	
Sodium hypochlorite NaOCl	300	300 mg/l active chlorine	60	
			20	
Hot water	100	–	125	
Steam approx. 0,5 bar	100	–	110	
Ozone	80	3 mg/l	30	

Resistant to hydrolysis

PAEK can, without any significant deterioration in its characteristics, be used for long periods at temperatures above +200 °C, in steam or water at high pressure.

High strength with low mass

The strength and rigidity are very high while density is low.

Purity

Due to its inherent purity, the material has extremely small quantities of extractable ions and is characterised by low outgassing in vacuum, even at high temperatures. The material is thus also highly suitable for use in the food industry. Some PAEK materials conform to the requirements of the US Food and Drug Administration (FDA).

Dimensional stability

The plastic has high dimensional stability and thus maintains its geometry and characteristics even at various temperatures, in moisture, under the influence of chemicals and when subjected to physical loading.

Applications

PAEK is highly suitable for rolling bearing cages, end pieces of linear guidance systems and tyres on track rollers.

Coatings

In order that standard components can function for long periods, without maintenance and reliably even under extreme operating conditions, the Schaeffler Group has developed several coatings for such requirements.

These coatings increase the corrosion resistance and/or wear resistance of the surface.

The selection of the coating is always dependent on the area of operation and the application.

Types of coatings

Components at risk of corrosion are protected by:

- the special coating Corrotect[®], page 19
- the thin layer chromium coating Durotect[®] CK (Protect A), page 21
- the thin layer chromium coating Durotect[®] CK⁺ (Protect B), page 22.

The surface of the thin layer chromium coating holds a certain amount of lubricant. This gives protection against wear.

Particularly high wear resistance is achieved by means of the chromium mixed oxide layer LC in Durotect[®] CK⁺ (Protect B). Even under highly unfavourable environmental conditions, this coating still acts in a supportive capacity to the lubricant. Since the coating increases the wear resistance of the base material, the preload is maintained over an extended period.



For use in the food industry, compliance with exacting environmental and health conditions must be achieved.

The coating Durotect[®] CK (Protect A) is free from Cr(VI) and can therefore be used in this sector too.



Special coating Corrotect®

Basic data

Composition:

- Zinc alloy (for example, with Ni, Fe or Co)
- Yellow or black chromate passivation (containing Cr(VI))
- Thick layer or nanoparticle-backed thick layer passivation (free from Cr(VI))
- Thickness ranges:
 - 0,5 μm to 3 μm
 - 2 μm to 5 μm .

Test method:

- neutral salt spray test in accordance with DIN EN ISO 9 227, ASTM B117, *Figure 1*.

The coating is effective against condensation, rainwater, contaminated water and weakly alkaline and weakly acidic cleaning agents.

The coating is attacked by strongly acidic or alkaline media and media containing high levels of salt.



Figure 1
Coated and uncoated part after 24 h in the salt spray test

Coatings

Characteristics of the coating

The special coating Corrotect® has the following characteristics:

- It is an extremely thin anti-corrosion coating with cathodic protection. Under load, the coating is compacted into the surface roughness profile and is partly worn away.
- The chromate coating and the passivation increase the anti-corrosion protection and contribute to the optical appearance of the component.
- Anti-corrosion protection in the seal area.

In comparison with many other coating systems and materials, combines good anti-corrosion protection with low cost.

Guidance on the handling and use of parts with Corrotect® coating

Before pressing in coated parts, light greasing is recommended in order to reduce the press-in forces.

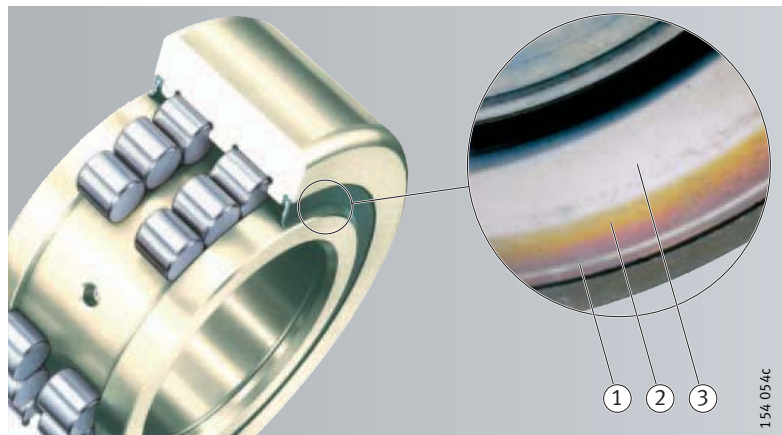
As with all zinc and zinc alloy coatings, the anti-corrosion protection is impaired in temperature ranges above +120 °C.

Even if there is no indication of impairment of the grease operating life, the interaction between the coating and the lubricant should be checked in each case and the relubrication intervals adapted as appropriate.

In the area of the seal lips, there is running-in of the extremely thin layer; an optically bright surface is formed. In contact with moisture or corrosive media, the formation of rust on this bright surface is prevented in the long term by the remote effect of the cathodic protection mechanism, *Figure 2*.

- ① Seal running surface
- ② Coated surface
- ③ Coated raceway with overrolling

Figure 2
Seal running surface





Durotect® CK (Protect A) Anti-corrosion and anti-wear protection

Durotect® CK (Protect A) is a pure chromium coating with a pearly surface structure.

The coating is applied by electroplating. The parts to be coated are heated to approx. +50 °C. Since no structural changes occur, the parts retain full dimensional stability.

The matt grey chromium layer with its pearly structure retains a certain amount of lubricant between the pearls. As a result, effective anti-wear protection is achieved even under mixed friction or slippage conditions.

During running-in, the rolling elements and seals burnish the surface. This leads to reduced friction coefficients.

Advantages of the coating

This coating

- is resistant to various chlorides, various oils, sulphur compounds, chlorine compounds and weak acidic media
- does not influence the load carrying capacity and operating life of the coated products
- has higher wear resistance due to its high hardness
- ensures effective anti-wear protection even under mixed friction conditions
- offers good protection against EP additives
- has good thermal conductivity
- is moderately resistant to corrosion.

Durotect® CK (Protect A) contains no Cr(VI). Components with this coating are therefore particularly suitable for use in the food industry.

Technical/physical data

The table shows technical/physical data for Durotect® CK (Protect A).

Durotect® CK (Protect A)

	Data
Suffix	KD
Colour	Matt grey
Coating thickness ¹⁾	1 µm – 3 µm 1 µm – 6 µm
Number of layers	1
Composition	Pure chromium layer with pearly surface
Hardness	950 HV – 1 300 HV
Anti-corrosion protection ²⁾	24 h
Anti-wear protection	Under mixed friction
Maximum length	4 000 mm
Contains Cr(VI) ³⁾	no

¹⁾ Thickness in functional area.

²⁾ Salt spray test to DIN EN ISO 9 227, no load.

³⁾ Parts containing Cr(VI) are not suitable for the food industry.

Coatings

Durotect® CK+ (Protect B) Anti-corrosion and high anti-wear protection

Durotect® CK+ (Protect B) comprises two layers: a thin layer chromium coating is covered by chromium mixed oxide. The corrosion resistance is provided by the chromium mixed oxide layer. The chromium mixed oxide layer acts in a supportive capacity to the lubricant when used in aggressive atmospheres and at high temperatures.

Advantages of the coating

This coating

- is resistant to various chlorides, various oils, sulphur compounds, chlorine compounds and weak acidic media
- does not influence the load carrying capacity and operating life of the coated products
- improves the running-in behaviour
- offers effective anti-wear protection under inadequate lubrication
- offers good protection against EP additives
- has a second layer that acts in a supportive capacity to the lubricant in aggressive atmospheres and at high temperatures
- has good thermal conductivity
- offers high anti-wear protection together with high anti-corrosion protection.

Where high requirements for anti-corrosion protection are present and continuous lubrication cannot be ensured, Durotect® CK+ (Protect B) is the suitable coating.

Technical/physical data

The table shows technical/physical data for Durotect® CK+ (Protect B).

Durotect® CK+ (Protect B)

	Data
Suffix	KDC
Colour	Black
Coating thickness ¹⁾	4 µm – 6 µm
Number of layers	2
Composition	Thin layer chromium coating with coating of chromium mixed oxide
Hardness	950 HV
Anti-corrosion protection ²⁾	120 h
Anti-wear protection	Under mixed friction
Maximum length	4 000 mm
Contains Cr(VI) ³⁾	yes

¹⁾ Thickness in functional area.

²⁾ Salt spray test to DIN EN ISO 9 227, no load.

³⁾ Parts containing Cr(VI) are not suitable for the food industry.



Lubricants

Greases Lubrication and maintenance are extremely important for long, reliable operation of rolling bearings. Where special environmental conditions apply, however, there is often a requirement to achieve not only fundamental characteristics such as reduction of friction and anti-wear protection but also additional characteristics such as media resistance or suitability of the lubricants for the food industry. For these expanded requirements, there are various greases for initial greasing and relubrication.

Arcanol greases for relubrication Grease that are particularly suitable for relubrication are included in the Arcanol range, see table Rolling bearing lubricants for initial greasing and relubrication, page 24. The greases, which were developed in partnership with renowned lubricant manufacturers, are subjected to comprehensive series of tests before approval and, thereafter, every single batch is inspected.

Lubricants for the food industry Greases for use in the food industry are subject to various regulations and specifications around the world. Internationally, the most widely known of these are the US American regulations. Two grease classes have been defined for the food-producing industry, which are known as the lubricants H1 und H2. Approval as lubricant H1 and H2 is currently given by the NSF.

Lubricant H1 These lubricants are suitable for applications in which “incidental contact between food and lubricant unavoidable by technical measures” may occur. Such lubricants must be non-toxic and neutral in taste and odour.

Lubricant H2 Lubricants H2 may only be used in the food and pharmaceutical industries where the possibility of contact with food is completely eliminated.

Lubricants with high media resistance If fluids (water, contaminated water, weak acids or alkalis) can come into contact with rolling bearings, greases with good media resistance should be used. This can delay washout of lubricants and extend the operating life of greased bearings.

Greases for clean room applications In the area of semiconductor production or LCD production, the quantity of airborne particles plays an important role in the quality of the manufactured products. Through the selection of special greases, particle emission can be reduced in comparison with standard greases.

In high vacuum, special greases based on alkoxyfluoroethers with particularly favourable vapourisation characteristics are used.

Further information



Lubrication is a design element that has a decisive influence on the reliability and operating life of bearings. For the design of bearing arrangements, attention must be paid to the information on lubrication in Catalogue HR 1, Rolling Bearings.

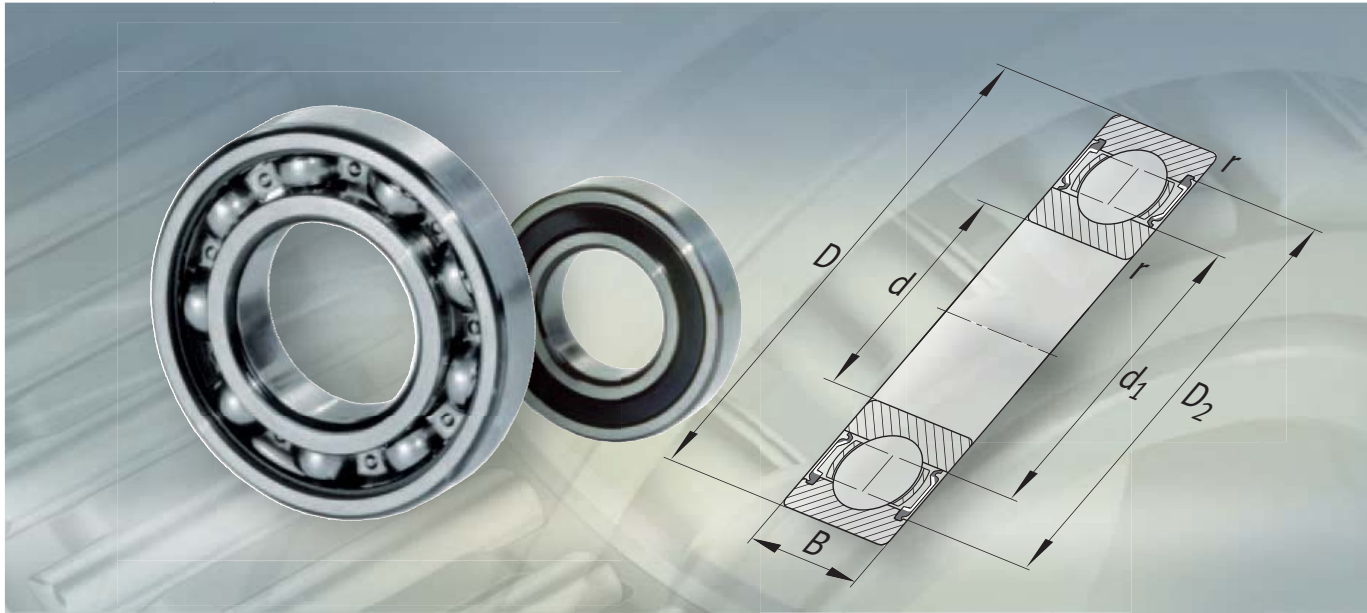
Lubricants

Rolling bearing lubricants for initial greasing and relubrication

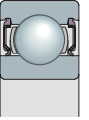
Designation	Classification	Type of grease
GA32	Grease with foodstuffs approval	Aluminium complex soap, SHC or white oil
GA47	Rolling bearing grease resistant to media for temperatures up to +140 °C	Barium complex soap, mineral oil
GA11	Rolling bearing grease resistant to media for temperatures up to +250 °C	PTFE, alkoxyfluoroether
GA08	Grease for line contact	Lithium complex soap, mineral oil
L430	Grease with low particle emission	Polycarbamide, ether oil



Operating temperature °C	Upper continuous temperature limit $T_{\text{limit, upper}}$ °C	NLGI class	Speed parameter $n \cdot d_M$ $\text{min}^{-1} \cdot \text{mm}$	ISO VG class	H1 registration	Arcanol rolling bearing grease
-30 to +120	+70	1 to 2	500 000	150 to 220	yes	FOOD 2
-20 to +140	+70	1 to 2	350 000	150 to 320	-	-
-40 to +250	+180	2	300 000	460 to 680	Possible	TEMP 200
-30 to +140	+95	2 to 3	500 000	150 to 320	-	LOAD 150
-40 to +180	+100	2	500 000	100	-	-



Deep groove ball bearings
Miniature deep groove ball bearings



Deep groove ball bearings Miniature deep groove ball bearings

	Page
Product overview	Deep groove ball bearings, miniature deep groove ball bearings 28
Features	Single row deep groove ball bearings 29
	Deep groove ball bearings made from Cronitect..... 29
	Single row miniature deep groove ball bearings 31
	Sealing..... 31
	Lubrication 31
	Operating temperature 31
	Prefixes and suffixes..... 32
	Further information..... 32
Design and safety guidelines	Axial load carrying capacity..... 32
	Minimum radial load 32
Accuracy	Main dimensions, dimensional and geometrical tolerances, radial internal clearance 32
Dimension tables	Deep groove ball bearings, single row, sealed 33
	Miniature deep groove ball bearings, single row, open or sealed 35

Product overview

Deep groove ball bearings

Miniature deep groove ball bearings

Deep groove ball bearings

Single row
Lip seals

S618..-2RS, S619..-2RS,
S60..-2RS, S62..-2RS, S63..-2RS



Miniature deep groove ball bearings

Single row
Open

S60, S62, S63, S68, S69,
S60..-X, S68..-X, S69..-X, SMR



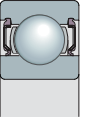
Gap seals

S60..-2Z, S62..-2Z, S63..-2Z, S68..-2Z, S69..-2Z,
S60..-X-2Z, S68..-X-2Z, S69..-X-2Z, SMR..-2Z



Deep groove ball bearings

Miniature deep groove ball bearings



Features

Single row deep groove ball bearings

Single row deep groove ball bearings are the most frequently used type of rolling bearing. They are produced in numerous sizes and designs and are particularly economical. Due to their low frictional torque, they are also suitable for high speeds.

Due to the raceway geometry, the use of balls as rolling elements and the design without a filling slot, deep groove ball bearings can support axial loads in both directions as well as radial loads; see Axial load carrying capacity, page 32.

The angular adjustment facility of single row deep groove ball bearings is limited, so the bearing positions must be well aligned.

By agreement, bearings of series 618 and 619 are also available with a flanged outer ring. The flange allows axial location of the bearings by compact means.

Anti-corrosion protection

The bearing rings, cages and rolling elements are made from corrosion-resistant steel and have the prefix S.

As a result, they are resistant to moisture, contaminated water, salt spray mist and weak alkaline or weak acidic cleaning agents.

In the sealed version (suffix 2RS) the acid resistance is limited by the sealing ring material nitrile butadiene rubber NBR.

Deep groove ball bearings made from Cronitect



By agreement, deep groove ball bearings made from Cronitect are available in three designs.

The corrosion resistance and suitability of the bearing under the influence of the media must be checked by the user for the specific application.

Design 1

- Inner ring and outer ring made from Cronitect
- Highly effective contact seal, type SHRS made from FKM, with alloy steel sheathing
- Balls made from corrosion-resistant steel.

Advantages

In comparison with standard deep groove ball bearings made from corrosion-resistant steel, such as the design S6001-2RS, the following advantages apply:

- significantly higher corrosion and media resistance
- considerably better sealing against fluids
- significantly higher dynamic load carrying capacity
- significantly longer operating life even under problematic operating conditions
- no rust formation even in aggressive media.

Ordering example

X6001-2SHRS-FKM

Deep groove ball bearings

Miniature deep groove ball bearings

- Design 2**
- Inner ring and outer ring made from Cronitect
 - Highly effective contact seal, type SHRS made from FKM, with alloy steel sheathing
 - Balls made from ceramic Si_3N_4 .

- Advantages**
- In comparison with design 1, the following additional advantages apply:
- increased wear resistance
 - suitable for heavy exposure to water and fluid media
 - very long operating life even under the most problematic operating conditions
 - increased operational security.

Ordering example **XHC6001-2SHRS-FKM**

- Design 3**
- Inner ring and outer ring made from Cronitect
 - Open, without seals
 - Balls made from ceramic Si_3N_4
 - Cage made from PAEK-HDM2.

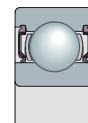
- Advantages**
- In comparison with standard deep groove ball bearings made from corrosion-resistant steel, such as the design S6001, the following advantages apply:
- significantly higher corrosion and media resistance
 - suitable for dry running and media lubrication
 - significantly higher dynamic load carrying capacity
 - long operating life even under extreme operating conditions
 - operation without lubricant possible.

Ordering example **XHC6001**

Single row miniature deep groove ball bearings

Single row miniature deep groove ball bearings correspond in their structure, function and area of application to single row deep groove ball bearings. Due to their small dimensions, with an inside diameter starting at $d = 1$ mm, however, they are particularly suitable for small electric motors, office machinery, medical equipment, household appliances, power tools and similar applications in the miniature sector.

By agreement, these bearings are also available with a flanged outer ring. This allows axial location of the bearings by compact means.



Sealing

Deep groove ball bearings

The bearings are sealed on both sides by lip seals made from nitrile butadiene rubber NBR. By agreement, however, the deep groove ball bearings are also available in an open version (without suffix) or with gap seals on both sides (suffix 2Z).

Miniature deep groove ball bearings

The deep groove ball bearings are available in an open version and with gap seals. By agreement, they are also available with lip seals on both sides (suffix 2RS).

Lubrication

The bearings have an initial greasing using a standard grease. The grease filling is sufficient for the entire operating life of the bearings.

Special greases, such as those for clean room or food processing applications, are available by agreement.

Operating temperature

Deep groove ball bearings without seals can be used up to an operating temperature of $+120$ °C. For applications at temperatures above $+120$ °C, please contact us.

Deep groove ball bearings with lip seals can be used at operating temperatures from -30 °C to $+110$ °C, limited by the grease and sealing ring material.

Bearings with gap seals can be used at temperatures from -30 °C to $+120$ °C.

Deep groove ball bearings

Miniature deep groove ball bearings

Prefixes and suffixes

Prefixes and suffixes for available designs:
see table Available designs.

Available designs

Prefix	Suffix	Description	Design
S	–	Corrosion-resistant steel	Standard
X	–	Cronitect steel	Available by agreement
HC	–	Hybrid bearing with ceramic balls made from Si ₃ N ₄	
–	2RS	Contact lip seals on both sides	Standard
–	2SHRS	Contact high performance lip seals with alloy steel sheathing on both sides	Available by agreement
–	FKM	Seal material FKM	
–	2Z	Gap seals on both sides	
–	–	Open, not sealed	–

Further information



For information on the load carrying capacity and life, design of bearing arrangements, lubrication, fitting and operation of the bearings, attention must be paid to Catalogue HR 1, Rolling Bearings.

Design and safety guidelines

Axial load carrying capacity



Deep groove ball bearings are also suitable for low axial loads.

If the bearing is subjected to high loads and high speeds, a reduced life as well as increased friction and bearing temperature must be taken into consideration.

Minimum radial load

In order to ensure slippage-free operation, the bearings must be subjected to a minimum radial load. This applies particularly in the case of high speeds and high accelerations. In continuous operation, a minimum radial load of the order of $P/C_r > 0,01$ is necessary for ball bearings with cage.

Accuracy

Main dimensions, dimensional and geometrical tolerances, radial internal clearance

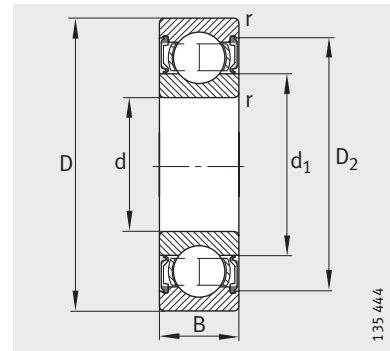
The main dimensions of single row deep groove ball bearings correspond to DIN 625-1.

The dimensional and running tolerances correspond to tolerance class PN to DIN 620.

The radial internal clearance is CN.

Deep groove ball bearings

Single row
Sealed



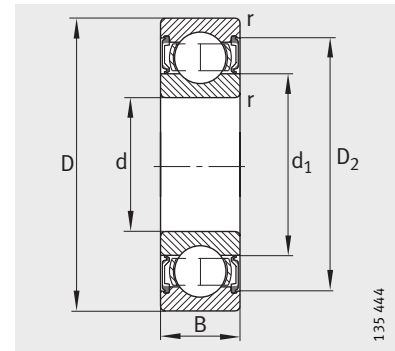
Seal 2RS

Dimension table · Dimensions in mm										
Designation ¹⁾	Mass m ≈g	Dimensions						Basic load ratings		Limiting speed n_G min ⁻¹
		d	D	B	r	d ₁	D ₂	dyn. C _r N	stat. C _{0r} N	
S61800-2RS	5,6	10	19	5	0,3	11,8	17,15	1 462	672	22 000
S61900-2RS	10	10	22	6	0,3	13,2	19,37	2 295	1 016	21 000
S61801-2RS	6,5	12	21	5	0,3	13,8	19,15	1 632	832	20 000
S61901-2RS	12	12	24	6	0,3	15,35	21,4	2 456	1 176	18 000
S61802-2RS	7,6	15	24	5	0,3	16,8	22,15	1 759	1 000	16 000
S61902-2RS	19	15	28	7	0,3	18,8	25,3	3 672	1 808	15 000
S61803-2RS	8,2	17	26	5	0,3	18,8	24,3	1 895	1 168	15 000
S61903-2RS	20	17	30	7	0,3	21	27,8	3 901	2 056	13 000
S61804-2RS	18	20	32	7	0,3	22,6	29,52	3 417	1 968	13 000
S61904-2RS	40	20	37	9	0,3	23,65	33,5	5 423	2 944	11 000
S61805-2RS	24	25	37	7	0,3	28,2	34,12	3 655	2 344	10 000
S61905-2RS	47	25	42	9	0,3	30,9	39,45	5 950	3 632	9 300
S61806-2RS	27	30	42	7	0,3	33,11	39,2	3 859	2 720	9 000
S61807-2RS	32	35	47	7	0,3	38,21	43,69	4 020	3 056	7 500
S61808-2RS	35	40	52	7	0,3	43,21	48,99	4 182	3 344	6 700
S61809-2RS	42	45	58	7	0,3	48,2	54,96	5 261	4 304	6 000
S61810-2RS	52	50	65	7	0,3	54,2	60,96	5 618	4 872	5 300

¹⁾ Deep groove ball bearings are available by agreement in an open version.

Deep groove ball bearings

Single row
Sealed



Seal 2RS

Dimension table · Dimensions in mm

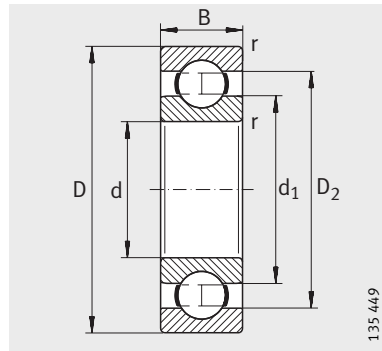
Designation ¹⁾²⁾	Mass m ≈g	Dimensions						Basic load ratings		Limiting speed
		d	D	B	r min.	d ₁	D ₂	dyn. C N	stat. C ₀ N	n _G min ⁻¹
S6000-2RS	19	10	26	8	0,3	12,9	22,4	3 860	1 570	19 000
S6200-2RS	32	10	30	9	0,6	15,3	25,28	4 340	1 920	16 000
S6300-2RS	53	10	35	11	0,6	17,7	24,3	6 870	2 750	16 000
S6001-2RS	22	12	28	8	0,3	17,2	25,5	4 340	1 910	17 000
S6201-2RS	37	12	32	10	0,6	18,5	27,95	5 770	2 450	15 000
S6301-2RS	60	12	37	12	1	19,3	31,9	8 240	3 360	15 000
S6002-2RS	30	15	32	9	0,3	20,2	28,7	4 750	2 270	14 000
S6202-2RS	45	15	35	11	0,6	21,7	31,4	6 490	3 000	13 000
S6302-2RS	82	15	42	13	1	24,5	36,8	9 710	4 370	12 000
S6003-2RS	39	17	35	10	0,3	23,5	31,85	5 090	2 630	12 000
S6203-2RS	65	17	40	12	0,6	24,9	35,8	8 130	3 850	12 000
S6303-2RS	115	17	47	14	1	27,5	41,1	11 550	5 330	10 000
S6004-2RS	69	20	42	12	0,6	27,6	38,7	7 960	4 050	10 000
S6204-2RS	106	20	47	14	1	29,5	40,9	10 910	5 360	9 700
S6304-2RS	144	20	52	15	1,1	30	45,4	13 490	6 310	9 500
S6005-2RS	80	25	47	12	0,6	31,7	42,7	8 550	4 690	9 000
S6205-2RS	128	25	52	15	1	34	45,7	11 900	6 300	8 400
S6305-2RS	232	25	62	17	0,1	38,1	53,2	17 490	9 060	7 500
S6006-2RS	116	30	55	13	1	38	49,9	11 240	6 610	7 500
S6206-2RS	199	30	62	16	1	40,7	55,1	16 530	9 080	7 000
S6306-2RS	346	30	72	19	1	44,9	62,35	22 630	12 080	6 400
S6007-2RS	155	35	62	14	1	44	57,05	13 560	8 250	6 500
S6207-2RS	288	35	72	17	1,1	47,6	64,83	21 810	12 360	6 000
S6307-2RS	457	35	80	21	1,5	50,49	71,58	28 290	15 270	5 700
S6008-2RS	192	40	68	15	1	49,2	62,5	14 250	9 220	5 800
S6208-2RS	366	40	80	18	1,1	52,93	70,8	24 730	14 330	5 400
S6009-2RS	245	45	75	16	1	54,5	69	15 150	9 660	5 300
S6209-2RS	407	45	85	19	1,1	56,56	74,48	27 790	16 300	5 100
S6010-2RS	261	50	80	16	1	60	74,55	18 510	13 260	4 800
S6210-2RS	463	50	90	20	1,1	63,46	81,38	29 800	18 610	4 600

¹⁾ Deep groove ball bearings are available by agreement in an open version.

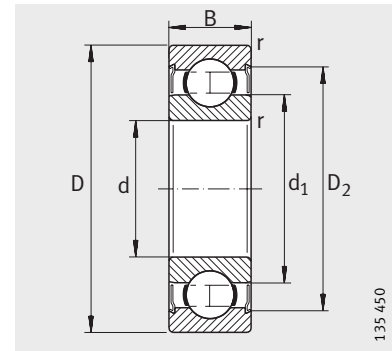
²⁾ Available by agreement:
S6011 – S6012,
S6211 – S6212,
S6308 – S6310.

Miniature deep groove ball bearings

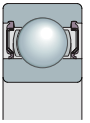
Single row
Open or sealed



Open



Seal ZZ



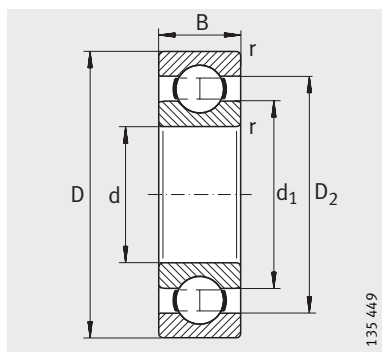
Dimension table · Dimensions in mm										
Designation ¹⁾²⁾	Mass m ≈g	Dimensions						Basic load ratings		Limiting speeds n _G min ⁻¹
		d	D	B	r	d ₁	D ₂	dyn. C _r N	stat. C _{0r} N	
S681	0,03	1	3	1	0,05	1,6	2,4	51	12	130 000
S681-X	0,1	1,5	4	1,2	0,05	2,15	3,05	75	21	100 000
S681-X-ZZ	0,14	1,5	4	2	0,05	2,15	3,5	75	21	100 000
S601-X	0,31	1,5	6	2,5	0,15	3	4,8	232	60	75 000
S601-X-ZZ	0,4	1,5	6	3	0,15	3	5,4	232	60	75 000
S682	0,15	2	5	1,5	0,08	2,7	3,9	92	30	85 000
S682-ZZ	0,2	2	5	2,3	0,08	2,7	4,4	92	30	85 000
S692	0,28	2	6	2,3	0,15	3	4,8	232	60	75 000
S692-ZZ	0,35	2	6	3	0,15	3	5,4	232	60	75 000
S682-X	0,2	2,5	6	1,8	0,08	3,7	4,9	129	36	71 000
S682-X-ZZ	0,35	2,5	6	2,6	0,08	3,7	5,4	129	36	71 000
S692-X	0,4	2,5	7	2,5	0,15	3,85	5,65	265	78	63 000
S692-X-ZZ	0,55	2,5	7	3,5	0,15	3,85	6,2	265	78	63 000
S602-X	0,61	2,5	8	2,8	0,15	4,1	6,44	381	108	60 000
S602-X-ZZ	0,85	2,5	8	4	0,15	4,1	7,04	381	108	60 000
SMR63	0,2	3	6	2	0,1	3,7	4,9	143	45	71 000
SMR63-ZZ	0,28	3	6	2,5	0,1	3,7	5,4	143	45	71 000
S683	0,32	3	7	2	0,1	4,28	5,75	218	66	63 000
S683-ZZ	0,45	3	7	3	0,1	3,85	6,35	218	66	63 000
SMR83	0,51	3	8	2,5	0,15	5	6,8	272	884	60 000
SMR83-ZZ	0,67	3	8	3	0,15	5	7,4	272	884	60 000
S693	0,6	3	8	3	0,15	4,35	6,65	388	108	60 000
S693-ZZ	0,8	3	8	4	0,15	4,35	7,25	388	108	60 000
S603	0,84	3	9	3	0,15	4,86	7,2	395	94	56 000
S603-ZZ	1,43	3	9	5	0,15	4,35	7,9	395	94	56 000
S623	1,45	3	10	4	0,15	4,8	7,08	436	132	50 000
S623-ZZ	1,65	3	10	4	0,15	4,35	7,98	436	132	50 000

1) Bearings with RS seals are available by agreement.

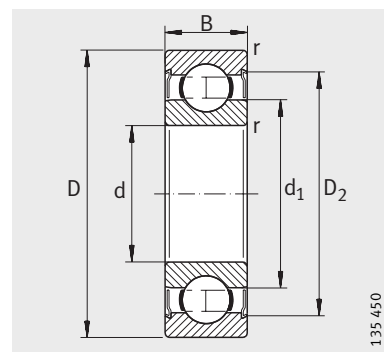
2) Bearings with a flanged outer ring are available by agreement.

Miniature deep groove ball bearings

Single row
Open or sealed



Open



Seal 2Z

Dimension table (continued) · Dimensions in mm

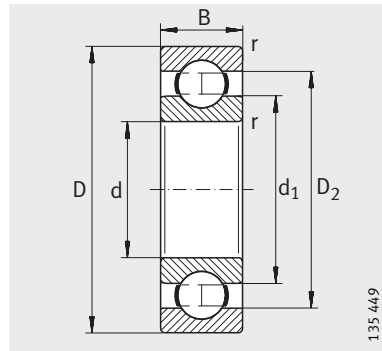
Designation ¹⁾²⁾	Mass m ≈g	Dimensions						Basic load ratings		Limiting speeds n_G min ⁻¹
		d	D	B	r min.	d ₁	D ₂	dyn. C _r N	stat. C _{0r} N	
SMR74-2Z	0,33	4	7	2,5	0,1	4,8	6,3	177	66	60 000
SMR84	0,39	4	8	2	0,15	5	6,8	272	84	56 000
SMR84-2Z	0,56	4	8	3	0,15	5	7,4	272	84	56 000
S684	0,65	4	9	2,5	0,1	5,2	7,5	442	138	53 000
S684-2Z	1	4	9	4	0,1	5,2	8,1	442	138	53 000
SMR104	0,95	4	10	3	0,2	6,15	8,35	408	126	48 000
SMR104-2Z	1,33	4	10	4	0,2	5,6	8,95	408	126	48 000
S694	1,69	4	11	4	0,15	6,15	8,95	667	216	48 000
S694-2Z	1,75	4	11	4	0,15	5,6	9,85	667	216	48 000
S604	2,19	4	12	4	0,2	6,15	8,95	667	216	48 000
S604-2Z	2,34	4	12	4	0,2	5,6	9,85	667	216	48 000
S624	3,1	4	13	5	0,2	6,95	10,45	904	300	40 000
S624-2Z	3,2	4	13	5	0,2	6	11,35	904	300	40 000
S634	5,24	4	16	5	0,3	8,2	11,7	932	318	36 000
S634-2Z	5,44	4	16	5	0,3	6,7	11	932	318	36 000
SMR85	0,25	5	8	2	0,1	5,75	7,25	211	72	53 000
SMR85-2Z	0,34	5	8	2,5	0,1	5,8	7,4	150	54	53 000
SMR95	0,54	5	9	2,5	0,15	6	7,8	300	102	50 000
SMR95-2Z	0,58	5	9	3	0,15	6	8,2	300	102	50 000
S685	1,16	5	11	3	0,15	6,81	9,19	496	180	45 000
S685-2Z	1,93	5	11	5	0,15	6,2	9,9	496	180	45 000
S695	2,39	5	13	4	0,2	7,5	10,5	748	264	43 000
S695-2Z	2,31	5	13	4	0,2	6,6	11,2	748	264	43 000
S605	3,46	5	14	5	0,2	7,79	11,28	925	312	40 000
S605-2Z	3,75	5	14	5	0,2	6,9	12,2	925	312	40 000
S625	4,95	5	16	5	0,3	8,55	12,5	1 197	414	36 000
S625-2Z	5,1	5	16	5	0,3	7,5	13,8	1 197	414	36 000
S635	8,5	5	19	6	0,3	10,12	15,02	1 618	546	32 000
S635-2Z	8,89	5	19	6	0,3	8,5	16,5	1 618	546	32 000

¹⁾ Bearings with RS seals are available by agreement.

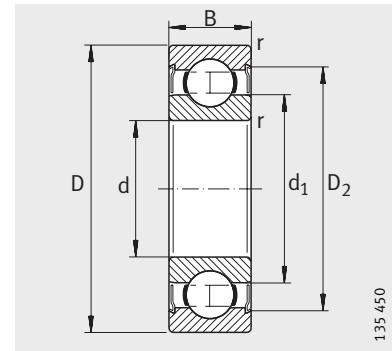
²⁾ Bearings with a flanged outer ring are available by agreement.

Miniature deep groove ball bearings

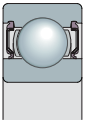
Single row
Open or sealed



Open



Seal ZZ



Dimension table (continued) - Dimensions in mm

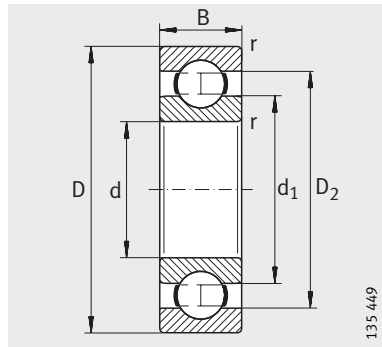
Designation ¹⁾²⁾	Mass m ≈g	Dimensions						Basic load ratings		Limiting speeds n _G min ⁻¹
		d	D	B	r min.	d ₁	D ₂	dyn. C _r N	stat. C _{0r} N	
SMR106	0,55	6	10	2,5	0,15	7,04	8,9	347	132	45 000
SMR106-2Z	0,7	6	10	3	0,15	7,04	9,3	347	132	45 000
SMR126	1,25	6	12	3	0,2	7,73	10,19	496	180	43 000
SMR126-2Z	1,66	6	12	4	0,2	7,2	10,9	496	180	43 000
S686	1,87	6	13	3,5	0,15	8	11	748	270	40 000
S686-2Z	2,68	6	13	5	0,15	7,4	11,7	748	270	40 000
S696	3,85	6	15	5	0,2	8,2	11,7	932	318	40 000
S696-2Z	3,65	6	15	5	0,2	7,5	13	932	318	40 000
S606	5,94	6	17	6	0,3	8,92	13,75	1 571	516	38 000
S606-2Z	6,89	6	17	6	0,3	8,2	14,8	1 571	516	38 000
S626	8,12	6	19	6	0,3	10,12	15,02	1 619	546	32 000
S626-2Z	8,65	6	19	6	0,3	8,5	16,5	1 619	546	32 000
SMR117	0,59	7	11	2,5	0,15	8,04	9,96	313	126	43 000
SMR117-2Z	0,71	7	11	3	0,15	8,04	10,26	313	126	43 000
S687	2,03	7	14	3,5	0,15	9	12	816	312	40 000
S687-2Z	2,95	7	14	5	0,15	8,5	12,7	816	312	40 000
S697	5,26	7	17	5	0,3	10,4	13,6	1 116	438	36 000
S697-2Z	5,01	7	17	5	0,3	9,3	14,3	1 116	438	36 000
S607	7,8	7	19	6	0,3	10,12	15,02	1 618	546	36 000
S607-2Z	8,24	7	19	6	0,3	9	16,5	1 618	546	36 000
S627	12,7	7	22	7	0,3	12,14	18	2 278	846	30 000
S627-2Z	13,1	7	22	7	0,3	10,5	19,03	2 278	846	30 000

1) Bearings with RS seals are available by agreement.

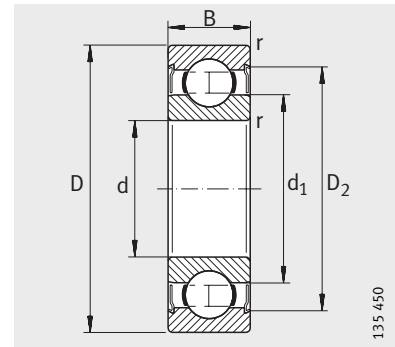
2) Bearings with a flanged outer ring are available by agreement.

Miniature deep groove ball bearings

Single row
Open or sealed



Open



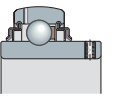
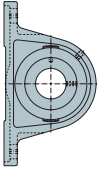
Seal 2Z

Dimension table (continued) · Dimensions in mm

Designation ¹⁾²⁾	Mass m ≈g	Dimensions						Basic load ratings		Limiting speeds n _G min ⁻¹
		d	D	B	r min.	d ₁	D ₂	dyn. C _r N	stat. C _{0r} N	
SMR128	0,7	8	12	2,5	0,15	9,05	10,9	374	168	40 000
SMR128-2Z	0,99	8	12	3,5	0,15	9,05	11,33	374	168	40 000
S688	3,11	8	16	4	0,2	10,5	13,5	871	360	36 000
S688-2Z	4,05	8	16	5	0,2	9,65	14,2	871	360	36 000
S698	7,12	8	19	6	0,3	10,5	15,5	1 551	564	36 000
S698-2Z	7,57	8	19	6	0,3	9,8	16,66	1 551	564	36 000
S608	11,8	8	22	7	0,3	12,14	18	2 285	846	34 000
S608-2Z	12,9	8	22	7	0,3	10,5	19,03	2 285	846	34 000
S628	17,1	8	24	8	0,3	12,8	18,7	2 312	870	28 000
S628-2Z	18,5	8	24	8	0,3	11,9	19,9	2 312	870	28 000
S689	3,41	9	17	4	0,2	11,5	14,5	918	408	36 000
S689-2Z	4,38	9	17	5	0,2	10,7	15,2	918	408	36 000
S629	19	9	26	8	0,3	14,5	21,3	3 169	1 212	28 000
S629-2Z	21,8	9	26	8	0,3	13,9	22,38	3 169	1 212	28 000

¹⁾ Bearings with RS seals are available by agreement.

²⁾ Bearings with a flanged outer ring are available by agreement.



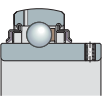
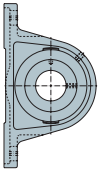
Insert bearings and housing units

Insert bearings
Housing units
with cast iron, sheet steel or plastic housings

Insert bearings and housing units

	Page
Product overview	Insert bearings..... 42
Features	Ready to fit, easy to fit, robust..... 43
	Compensation of static misalignments..... 43
	Insert bearings in corrosion-resistant VA design 43
	Insert bearings with Corrotect® coating..... 44
	Suffixes 44
	Further information 45
Design and safety guidelines	Axial load carrying capacity of insert bearings 45
	Speed limits for insert bearings..... 45
	Shaft tolerances for insert bearings 45
Accuracy	Radial internal clearance and normal tolerances..... 45
Dimension tables	Insert bearings, corrosion-resistant VA design, grub screws in inner ring 46
	Insert bearings, Corrotect® coating, with eccentric locking collar 48
Product overview	Housing units with cast iron or sheet steel housing 50
Features	Housings with integral insert bearing 51
	Units with cast iron housing 51
	Units with sheet steel housing 51
	Operating temperature..... 52
	Suffixes 53
	Further information 53
Design and safety guidelines	Cast iron housings 53
	Sheet steel housings 53
Accuracy	Cast iron housings 53
	Sheet steel housings 53
Dimension tables	Housing units with cast iron housing, plummer block housing units, with Corrotect® coating 54
	Housing units with cast iron housing, flanged housing units, with Corrotect® coating..... 56
	Housing units with sheet steel housing, flanged housing units, corrosion-resistant VA design..... 58

		Page
Product overview	Housing units with plastic housing	60
Features	Housings with integral insert bearing	61
	Housing units	62
	End caps	63
	Operating temperature	65
	Suffixes.....	65
	Further information.....	65
Design and safety guidelines	Load carrying capacity of insert bearings and housings	65
	Speed limits for insert bearings	65
	Shaft tolerances for insert bearings.....	65
Accuracy	Tolerances of plastic housings.....	65
Dimension tables	Housing units with plastic housing, plummer block housing units, insert bearing in corrosion-resistant VA design or with Corrotect® coating	66
	Housing units with plastic housing, flanged housing units, insert bearing in corrosion-resistant VA design or with Corrotect® coating	70
	Housing units with plastic housing, flanged housing units, insert bearing with Corrotect® coating	72
	Housing units with plastic housing, flanged housing units, insert bearing in corrosion-resistant VA design or with Corrotect® coating	74
	Housing units with plastic housing, take-up housing units, insert bearing in corrosion-resistant VA design or with Corrotect® coating	76

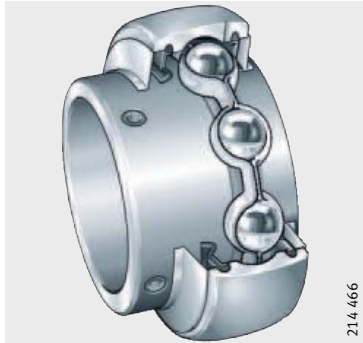


Product overview Insert bearings

Radial insert ball bearings

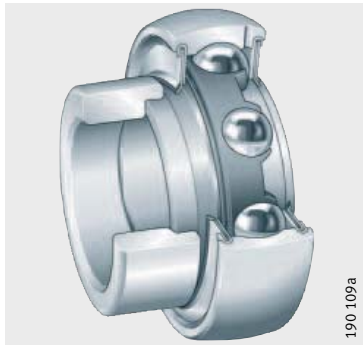
With grub screws in inner ring
Corrosion-resistant VA design

GYE..-KRR-B-VA

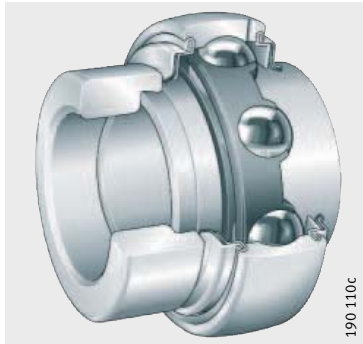


With eccentric locking collar
With Corrotect® coating

GRAE..-NPP-B-FA125.5



GE..-KRR-B-FA125.5



Insert bearings

Features

Corrosion-resistant insert bearings are designed for corrosion-resistant bearing arrangements. They are therefore equally suitable for applications involving moisture, contaminated water, salt spray mist and for weakly alkaline or weakly acidic cleaning agents. The classic areas of application include the agricultural, construction and mining sectors, conveying equipment, textile, paper and woodworking machinery as well as machinery for the food and drink industry.

Ready to fit, easy to fit, robust

The bearings are available in a corrosion-resistant VA design or with Corrotect® coating. They correspond in their design to single row deep groove ball bearings of series 62, are ready to fit, particularly easy to fit and allow robust, economical bearing arrangements with a long operating life. They are located on the shaft by means of grub screws in the extended inner ring or by means of an eccentric locking collar.

Operation even under difficult conditions is ensured by seals and greases that are matched to the application.

Compensation of static misalignments

The outer ring of the bearings has a spherical outside surface. In housings with a concave bore, they can therefore compensate static misalignment of the shaft:

- if relubrication is used, up to $\pm 2,5^\circ$
- if relubrication is not used, up to $\pm 5^\circ$.



The units must not be used to support swivelling or tumbling motion.

Insert bearings in corrosion-resistant VA design

In series GYE..-KRR-B-VA, the bearing rings and rolling elements are made from high alloy, corrosion-resistant rolling bearing steel with an increased chromium and molybdenum content, material number 1.4125.

Sheet steel cages made from corrosion-resistant steel, material number 1.4301, retain and guide the rolling elements.

Location by grub screws

The inner ring is located axially on the shaft by means of two grub screws offset by 120° . This location method is suitable for bearing arrangements with a constant direction of rotation or, under low speed and load, for an alternating direction of rotation.

The grub screws are self-retaining and have a fine pitch thread with cup point for secure location of the bearings.

Sealing and lubrication

Single-piece seals RSR seal the insert bearings on both sides. Additional outer flinger shields made from corrosion-resistant steel, material number 1.4301, protect the seals against mechanical damage.

Initial greasing is carried out with an aluminium complex soap grease with food applications approval to NSF-H1 that is sufficient in many cases for the entire operating life of the bearings.

For relubrication, the outer rings have lubrication holes on their circumference.

Operating temperature

The insert bearings are suitable for operating temperatures from -35°C to $+100^\circ\text{C}$.

Insert bearings

Insert bearings with Corrotect® coating

The series GRAE..-NPP-B-FA125.5 and GE..-KRR-B-FA125.5 are coated on all faces with Corrotect®.

The special coating Corrotect® is an economical alternative to insert bearings with conventional anti-corrosion protection. For a description of the Corrotect® coating, see page 19.

Plastic cages made from polyamide PA66 retain and guide the rolling elements.

Location by locking collar

The bearings are located on the shaft by a locking collar. They are therefore particularly suitable for bearing arrangements with a constant direction of rotation or, under low speed and load, for an alternating direction of rotation.

The locking collar is preferably tightened in the direction of rotation and must be secured by means of a grub screw. This location method prevents damage to the shaft and can be easily loosened again.

Sealing and lubrication

Three-piece seals P or R seal the bearings on both sides. The NBR part is protected against mechanical damage by zinc plated sheet steel shields. In seals P, the seal lip is axially preloaded, in seals R it is radially preloaded.

Initial greasing is carried out with GA47, a barium complex soap grease with a mineral oil base that is sufficient in many cases for the entire operating life of the bearings; for information on grease GA47 see Catalogue HR 1, Rolling Bearings.

In order to increase the grease quantity, insert bearings with seals R have sheet steel shields that are angled and extended outwards. This provides more space for the grease. This extends the bearing operating life and the relubrication intervals. For relubrication, the outer rings have lubrication holes on their circumference.

Operating temperature

Corrosion-resistant insert bearings are suitable for operating temperatures from -20 °C to +120 °C.

Suffixes

Suffixes for available designs: see table Available designs.

Available designs

Suffix	Description
B	Bearing with spherical outside surface of outer ring
FA125.5	With Corrotect® coating, protected against corrosion
KRR	Lip seals on both sides (seal R, three-piece)
NPP	Lip seals on both sides (seal P, three-piece)
2RSR	Lip seals on both sides (vulcanised, single-piece)
VA	Corrosion-resistant design made from high alloy rolling bearing steel
FA107	Bearing with lubrication holes on the locating side

Further information



For further details on Corrotect[®], see page 19.

For information on the design of bearing arrangements, lubrication, fitting and operation of the bearings, attention must be paid to Catalogue HR 1, Rolling Bearings.

Design and safety guidelines

Axial load carrying capacity of insert bearings

The axial load carrying capacity of insert bearings is determined significantly by the method by which they are located on the shaft; see Catalogue HR 1, Rolling Bearings.

Speed limits for insert bearings

The speed limits are dependent on the load, the clearance between the bearing bore and the shaft and the friction of the seals; see Catalogue HR 1, Rolling Bearings.

Shaft tolerances for insert bearings

The permissible shaft tolerance is determined by the speed and load. Tolerances from h6 to h9 are possible. Conventional drawn shafts will suffice for most applications.

Accuracy

Radial internal clearance and normal tolerances

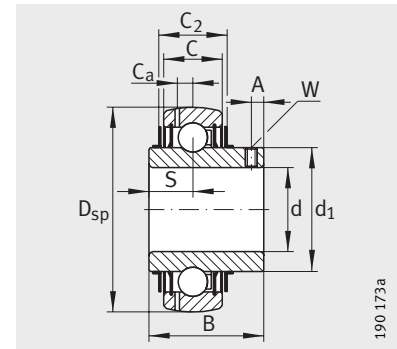
The outside diameter of the bearings corresponds to tolerance class PN to DIN 620-2. The inner ring bore has a plus tolerance to facilitate assembly of the bearings.

The radial internal clearance is C3 and is thus larger than in normal deep groove ball bearings. The larger internal clearance allows better support of angular misalignment and shaft deflection.

The normal tolerances of the bearings and the values for radial internal clearance are described in Catalogue HR 1, Rolling Bearings.

Insert bearings

Corrosion-resistant VA design
Grub screws in the inner ring



GYE..-KRR-B-VA

Dimension table · Dimensions in mm

Designation ¹⁾	Mass m ≈kg	Dimensions				
		d	D _{sp}	C	C ₂ max.	B
GYE12-KRR-B-VA	0,11	12	40	12	12,6	25
GYE15-KRR-B-VA	0,1	15	40	12	12,6	25
GYE17-KRR-B-VA	0,08	17	40	12	12,6	25
GYE20-KRR-B-VA²⁾³⁾	0,15	20	47	16	16,6	31
GYE25-KRR-B-VA²⁾³⁾	0,2	25	52	17	17,6	34,1
GYE30-KRR-B-VA²⁾³⁾	0,3	30	62	19	19,6	38,1
GYE35-KRR-B-VA²⁾³⁾	0,5	35	72	20	20,6	42,9
GYE40-KRR-B-VA²⁾³⁾	0,6	40	80	21	21,6	49,2
GYE45-KRR-B-VA²⁾³⁾	0,66	45	85	22	22,6	49,2
GYE50-KRR-B-VA²⁾³⁾	0,78	50	90	23	23,6	51,6

¹⁾ Speed limits for insert bearings: see page 45 and Catalogue HR 1, Rolling Bearings.

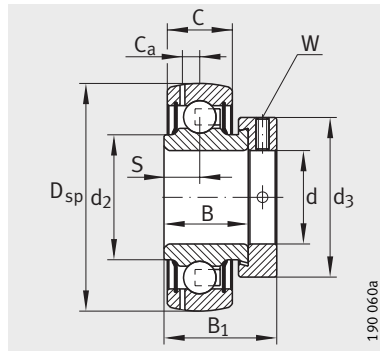
²⁾ Lubrication groove and two lubrication holes in the outer ring.

³⁾ Optionally available in design FA 107, see page 44.

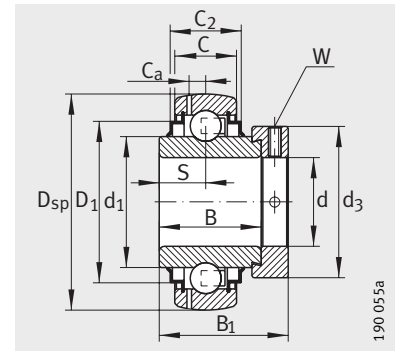
					Basic load ratings	
S	d ₁	C _a	A	W	dyn. C _r N	stat. C _{0r} N
9,6	23,9	3,4	4	2,5	9 800	4 750
9,6	23,9	3,4	4	2,5	9 800	4 750
9,6	23,9	3,4	4	2,5	9 800	4 750
12,7	29,05	4	5	2,5	12 800	6 600
14,3	34,03	4,15	5	2,5	14 000	7 800
15,9	40,31	5	6	3	19 500	11 300
17,5	47,4	5,7	6,5	3	25 500	15 300
19	52,83	5,9	8	4	32 500	19 800
19	57,3	6,5	8	4	32 500	20 400
19	62,92	6,5	9	5	35 000	23 200

Insert bearings

With Corrotect® coating
With eccentric locking collar



GRAE...NPP-B-FA125.5



GE...KRR-B-FA125.5

Dimension table · Dimensions in mm

Designation ¹⁾	Mass m ≈kg	Dimensions					
		d	D _{sp}	C	C ₂	B	S
GRAE20-NPP-B-FA125.5	0,16	20	47	14	–	21,4	7,5
GE20-KRR-B-FA125.5	0,19	20	47	14	16,6	34,1	17,1
GRAE25-NPP-B-FA125.5	0,19	25	52	15	–	21,4	7,5
GE25-KRR-B-FA125.5	0,25	25	52	15	16,7	34,9	17,5
GRAE30-NPP-B-FA125.5	0,32	30	62	18	–	23,8	9
GE30-KRR-B-FA125.5	0,39	30	62	18	20,7	36,5	18,3
GRAE35-NPP-B-FA125.5	0,47	35	72	19	–	25,4	9,5
GE35-KRR-B-FA125.5	0,55	35	72	19	22,5	37,7	18,8
GRAE40-NPP-B-FA125.5	0,62	40	80	21	–	30,2	11
GE40-KRR-B-FA125.5	0,73	40	80	21	23,5	42,9	21,4
GRAE45-NPP-B-FA125.5	0,69	45	85	22	–	30,2	11
GE45-KRR-B-FA125.5	0,83	45	85	22	26,4	42,9	21,4
GRAE50-NPP-B-FA125.5	0,73	50	90	22	–	30,2	11
GE50-KRR-B-FA125.5	0,99	50	90	22	26,4	49,2	24,6
GRAE60-NPP-B-FA125.5	1,4	60	110	24	–	37,1	13,5

¹⁾ Speed limits for insert bearings: see page 45 and Catalogue HR 1, Rolling Bearings.

							Basic load ratings	
d ₁	d ₂	D ₁	C _a	B ₁	d ₃ max.	W	dyn. C _r N	stat. C _{0r} N
–	26,9	–	4	31	33	3	12 800	6 600
27,6	–	37,4	4	43,7	33	3	12 800	6 600
–	30,5	–	3,9	31	37,5	3	14 000	7 800
33,8	–	42,5	3,9	44,5	37,5	3	14 000	7 800
–	37,4	–	4,7	35,8	44	4	19 500	11 300
40,2	–	52	4,7	48,5	44	4	19 500	11 300
–	44,6	–	5,6	39	51	5	25 500	15 300
46,8	–	60,3	5,6	51,3	51	5	25 500	15 300
–	49,4	–	6,4	43,8	58	5	32 500	19 800
52,3	–	68,3	6,4	56,5	58	5	32 500	19 800
–	54,3	–	6,4	43,8	63	5	32 500	20 400
57,9	–	72,3	6,4	56,5	63	5	32 500	20 400
–	59,4	–	6,9	43,8	69	5	35 000	23 200
62,8	–	77,3	6,9	62,8	69	5	35 000	23 200
–	72	–	7,2	53,1	84	5	52 000	36 000

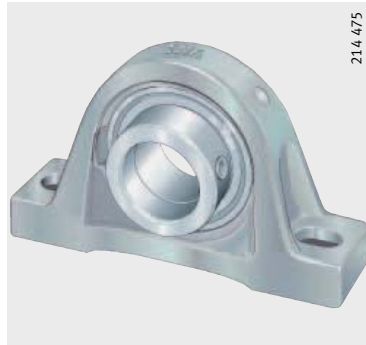
Product overview

Housing units

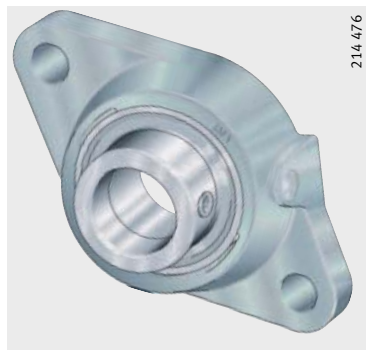
With cast iron or sheet steel housing

**Housing units
with cast iron housing**
With Corrotect® coating

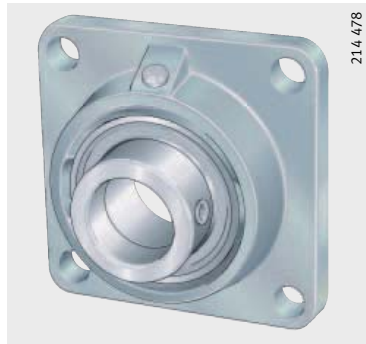
**PASE..-N-FA125,
RASE..-N-FA125**



**PCJT..-N-FA125,
RCJT..-N-FA125**



**PCJ..-N-FA125,
RCJ..-N-FA125**



**Housing units
with sheet steel housing**
Corrosion-resistant VA design

**GRRY..-VA,
RRY..-VA**



Housing units

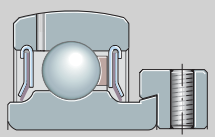
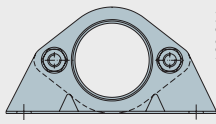
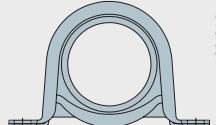
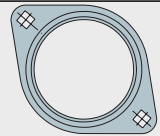
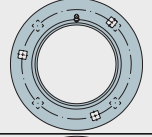
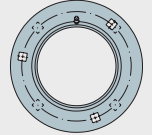
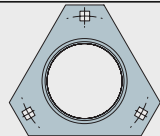
With cast iron or sheet steel housing

Features	Corrosion-resistant units are available as plummer block and flanged housing units. Their area of application corresponds to that of the insert bearings, in other words where moisture, contaminated water, salt spray mist or weakly alkaline and weakly acidic cleaning agents are present.
Housings with integral insert bearing	<p>The units are ready to fit and comprise INA sheet steel or INA cast iron housings in which INA insert bearings are integrated; for a description of the insert bearings, see page 43 and page 44. In order to ensure function and reliability under all operating conditions, the bearing and housing are matched to each other.</p> <p>Due to the spherical outside surface of the bearing outer ring and the concave housing bore, housing units can compensate for static angular misalignment of the shaft; see Insert bearings, page 43.</p> <p>The units are used predominantly as locating bearings, but are also suitable as non-locating bearings under low loads and speeds.</p> <p>The housings are screw mounted to the adjacent construction. Less stringent tolerances are sufficient for the screw mounting surfaces.</p>
Units with cast iron housing	<p>Cast iron units are available as plummer block housing units PASE..-N-FA125 and RASE..-N-FA125 as well as flanged housing units PCJT..-N-FA125, RCJT..-N-FA125, PCJ..-N-FA125 and RCJ..-N-FA125.</p> <p>The housings and insert bearings are coated with Corrotect® and have the suffix FA125. The housings are single-piece components, have high load carrying capacity and are screw mounted to the adjacent construction by means of fixing holes. For location, screws in accordance with DIN EN ISO 4 762 are suitable.</p>
Relubrication facility	For relubrication of insert bearings, the housing bore has a lubrication groove and the housing has a lubrication hole for conventional tapered lubrication nipples to DIN 71 412. In the delivered condition, the hole in the housing is closed off by a plastic plug.
Units with sheet steel housings	<p>These units are available in their preferred versions as series GRRY..-VA and RRY..-VA.</p> <p>GRRY can be relubricated via a lubrication nipple.</p> <p>The units comprise insert bearings in a corrosion-resistant VA design, for insert bearings see page 43, and two-piece sheet steel housings made from corrosion-resistant steel, material number 1.4301.</p> <p>The bearings and units have the suffix VA.</p> <p>The units are designed for moderate loads and lightweight constructions.</p>
Further possible combinations	Sheet steel housings with Corrotect® coating can also be combined with the insert bearing GRAE..-NPP-B-FA125.5. Possible combinations and available diameters d: see table Possible combinations, page 52. The housings and bearings must be ordered separately.

Housing units

With cast iron or sheet steel housing

Possible combinations

Combination Insert bearing with sheet steel housing ¹⁾		GRAE...NPP-B-FA125.5  190 425c	
Plummer block housings			
GEH...PBS-FA125	 190 941a	d = 20 mm to 40 mm	
GEH...BT-FA125	 190 942a	d = 20 mm to 30 mm	
Two-bolt flanged housings			
FLAN...MST-FA125 (2 pieces)	 190 945a	d = 20 mm to 40 mm	
Three-bolt flanged housings			
FLAN...MSB-FA125 (2 pieces)	 190 947a	d = 20 mm to 55 mm	
FLAN...MSA-FA125 FLAN...MSB-FA125	 190 947a	d = 25 mm to 45 mm With relubrication facility	
FLAN...MSTR-FA125	 190 948a	d = 20 mm to 35 mm	

¹⁾ For housing code and bearing bore, see table.

Housing code and bearing bore

Housing code	47	52	62	72	80	85	90	100
Bearing bore diameter	20	25	30	35	40	45	50	55

Operating temperature

Corrosion-resistant units are suitable for operating temperatures from -20 °C to +120 °C.

Suffixes

Suffixes for available designs: see table Available designs.

Available designs

Suffix	Design
FA125	With Corrotect [®] coating, protected against corrosion
VA	Design made from corrosion-resistant steel

Further information

For further details on Corrotect[®], see page 19.



For information on the design of bearing arrangements, lubrication, fitting and operation of the bearings and units, attention must be paid to Catalogue HR 1, Rolling Bearings.

Design and safety guidelines



Due to their versatile characteristics, INA housed bearing units can be easily used in almost all industrial sectors. If bearing arrangements are planned for equipment in which a malfunction could be hazardous to persons or an unplanned stoppage of the machine could cause major disruption, it is essential that you consult us before proceeding with the design.

Cast iron housings

Radial load carrying capacity

Cast iron housings can support the same radial loads as the insert bearings fitted.

The static load carrying capacity of insert bearings C_{0r} is stated in the dimension tables.

For shock loads, appropriate safety factors must be applied. In this case, please contact us.

Axial load carrying capacity

The axial load carrying capacity of cast iron housings is $0,5 \times C_{0r}$.

Sheet steel housings

Radial load carrying capacity

Sheet steel housings are suitable for moderate loads.

The permissible radial load carrying capacity C_{0rG} of sheet steel housings is given in the dimension tables.

Axial load carrying capacity

The permissible axial load carrying capacity of sheet steel housings is $0,5 \times C_{0rG}$.

Accuracy

The housings correspond predominantly to DIN 626-2 and ISO 3 228, insofar as they are described therein.

Cast iron housings

The dimensional tolerances for the machined surfaces of cast iron housings are $\pm 0,25$ mm.

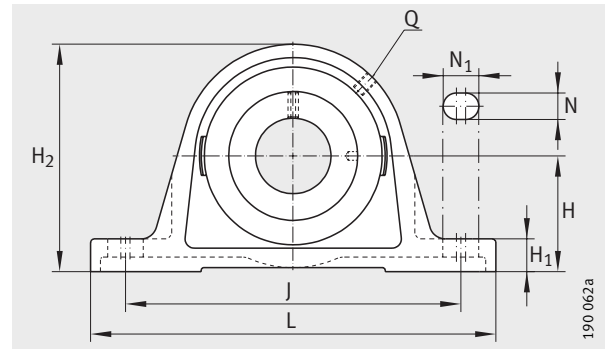
The dimensional tolerances for unmachined as well as machined to unmachined surfaces correspond to GTB 14, DIN 1 680-2.

Sheet steel housings

The bearing seat of sheet steel housings is designed such that the bearing is seated in the housing with a defined swivel moment once the housing parts are bolted together.

Housing units with cast iron housing

Plummer block housing units
With Corrotect® coating

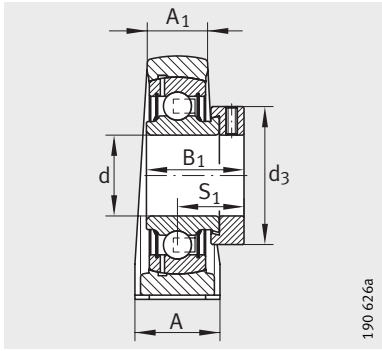


PASE..-N-FA125, RASE..-N-FA125

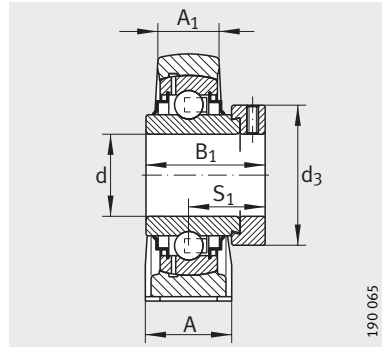
Dimension table · Dimensions in mm

Designation			Mass m ≈kg	Dimensions					
Unit	Housing	Radial insert ball bearing		d	H	J	L	A	A ₁
PASE20-N-FA125	GG.ASE04-E-N-FA125.1	GRAE20-NPP-B-FA125.5	0,6	20	33,3	97	130	32	19
RASE20-N-FA125	GG.ASE04-E-N-FA125.1	GE20-KRR-B-FA125.5	0,63	20	33,3	97	130	32	19
PASE25-N-FA125	GG.ASE05-N-FA125.1	GRAE25-NPP-B-FA125.5	0,67	25	36,5	103	130	36	21
RASE25-N-FA125	GG.ASE05-N-FA125.1	GE25-KRR-B-FA125.5	0,75	25	36,5	103	130	36	21
PASE30-N-FA125	GG.ASE06-N-FA125.1	GRAE30-NPP-B-FA125.5	1,13	30	42,9	118	158	40	25
RASE30-N-FA125	GG.ASE06-N-FA125.1	GE30-KRR-B-FA125.5	1,18	30	42,9	118	158	40	25
PASE35-N-FA125	GG.ASE07-N-FA125.1	GRAE35-NPP-B-FA125.5	1,57	35	47,6	126	163	45	27
RASE35-N-FA125	GG.ASE07-N-FA125.1	GE35-KRR-B-FA125.5	1,65	35	47,6	126	163	45	27
PASE40-N-FA125	GG.ASE/AK08-N-FA125.1	GRAE40-NPP-B-FA125.5	1,84	40	49,2	138	179	48	30
RASE40-N-FA125	GG.ASE/AK08-N-FA125.1	GE40-KRR-B-FA125.5	1,95	40	49,2	138	179	48	30
PASE50-N-FA125	GG.ASE10-N-FA125.1	GRAE50-NPP-B-FA125.5	2,59	50	57,2	158	200	54	34
RASE50-N-FA125	GG.ASE10-N-FA125.1	GE50-KRR-B-FA125.5	2,8	50	57,2	158	200	54	34
PASE60-N-FA125	GG.ASE12-N-FA125.1	GRAE60-NPP-B-FA125.5	4,35	60	69,9	190	240	60	42

1) To be ordered separately.
For a description of the end caps, see Catalogue HR 1, Rolling Bearings.



PASE..-N-FA125

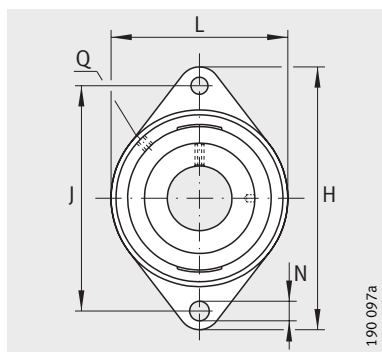


RASE..-N-FA125

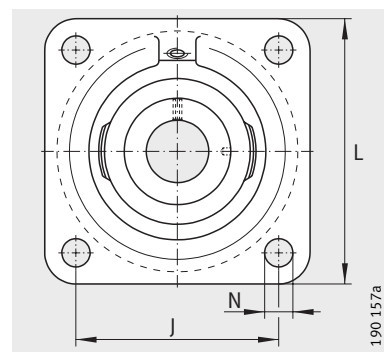
H ₁	H ₂	N	N ₁	B ₁	S ₁	Q	d ₃ max.	Basic load ratings		End cap ¹⁾
								dyn. C _r N	stat. C _{0r} N	
14,5	64	11	19	31	23,5	R _p 1/8	33	12 800	6 600	KASK04
14,5	64	11	19	43,7	26,6	R _p 1/8	33	12 800	6 600	KASK04
14,5	70	11	19	31	23,5	R _p 1/8	37,5	14 000	7 800	KASK05
14,5	70	11	19	44,5	27	R _p 1/8	37,5	14 000	7 800	KASK05
17	82	14	22	35,8	26,8	R _p 1/8	44	19 500	11 300	KASK06
17	82	14	22	48,5	30,2	R _p 1/8	44	19 500	11 300	KASK06
19	93	14	21	39	29,5	R _p 1/8	51	25 500	15 300	KASK07
19	93	14	21	51,3	32,5	R _p 1/8	51	25 500	15 300	KASK07
19	99	14	26	43,8	32,8	R _p 1/8	58	32 500	19 800	KASK08
19	99	14	26	56,5	35,1	R _p 1/8	58	32 500	19 800	KASK08
21,5	115	18	23	43,8	32,8	R _p 1/8	69	35 000	23 200	KASK10
21,5	115	18	23	62,8	38,2	R _p 1/8	69	35 000	23 200	KASK10
25	140	18	28	53,1	39,6	R _p 1/8	84	52 000	36 000	KASK12

Housing units with cast iron housing

Flanged housing units
With Corrotect® coating



PCJT..-N-FA125, RCJT..-N-FA125

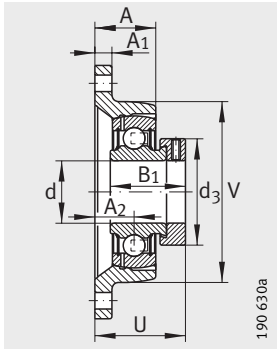


PCJ..-N-FA125, RCJ..-N-FA125

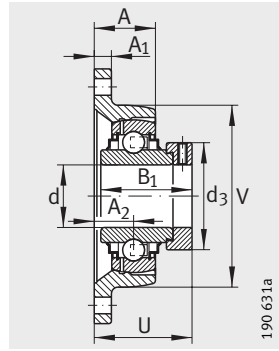
Dimension table · Dimensions in mm

Designation			Mass m ≈kg	Dimensions				
Unit	Housing	Radial insert ball bearing		d	L	H	A ₁	N
PCJT20-N-FA125	GG.CJT04-N-FA125.1	GRAE20-NPP-B-FA125.5	0,44	20	61	112	10	11,5
RCJT20-N-FA125	GG.CJT04-N-FA125.1	GE20-KRR-B-FA125.5	0,48	20	61	112	10	11,5
PCJ20-N-FA125	GG.CJ04-N-FA125.1	GRAE20-NPP-B-FA125.5	0,6	20	86	–	10	11,5
RCJ20-N-FA125	GG.CJ04-N-FA125.1	GE20-KRR-B-FA125.5	0,63	20	86	–	10	11,5
PCJT25-N-FA125	GG.CJT05-N-FA125.1	GRAE25-NPP-B-FA125.5	0,58	25	70	124	11	11,5
RCJT25-N-FA125	GG.CJT05-N-FA125.1	GE25-KRR-B-FA125.5	0,63	25	70	124	11	11,5
PCJ25-N-FA125	GG.CJ05-N-FA125.1	GRAE25-NPP-B-FA125.5	0,76	25	95	–	11	11,5
RCJ25-N-FA125	GG.CJ05-N-FA125.1	GE25-KRR-B-FA125.5	0,81	25	95	–	11	11,5
PCJT30-N-FA125	GG.CJT06-N-FA125.1	GRAE30-NPP-B-FA125.5	0,83	30	80	142	12	11,5
RCJT30-N-FA125	GG.CJT06-N-FA125.1	GE30-KRR-B-FA125.5	0,9	30	80	142	12	11,5
PCJ30-N-FA125	GG.CJ06-N-FA125.1	GRAE30-NPP-B-FA125.5	1,11	30	108	–	12	11,5
RCJ30-N-FA125	GG.CJ06-N-FA125.1	GE30-KRR-B-FA125.5	1,17	30	108	–	12	11,5
PCJT35-N-FA125	GG.CJT07-N-FA125.1	GRAE35-NPP-B-FA125.5	1,13	35	92	155	12,5	14
RCJT35-N-FA125	GG.CJT07-N-FA125.1	GE35-KRR-B-FA125.5	1,21	35	92	155	12,5	14
PCJ35-N-FA125	GG.CJ07-N-FA125.1	GRAE35-NPP-B-FA125.5	1,46	35	118	–	12,5	14
RCJ35-N-FA125	GG.CJ07-N-FA125.1	GE35-KRR-B-FA125.5	1,54	35	118	–	12,5	14
PCJT40-N-FA125	GG.CJT08-N-FA125.1	GRAE40-NPP-B-FA125.5	1,57	40	105	172	13	14
RCJT40-N-FA125	GG.CJT08-N-FA125.1	GE40-KRR-B-FA125.5	1,68	40	105	172	13	14
PCJ40-N-FA125	GG.CJ08-N-FA125.1	GRAE40-NPP-B-FA125.5	1,89	40	130	–	13	14
RCJ40-N-FA125	GG.CJ08-N-FA125.1	GE40-KRR-B-FA125.5	2,01	40	130	–	13	14
PCJT50-N-FA125	GG.CJT10-N-FA125.1	GRAE50-NPP-B-FA125.5	1,98	50	116	190	13	18
RCJT50-N-FA125	GG.CJT10-N-FA125.1	GE50-KRR-B-FA125.5	2,2	50	116	190	13	18
PCJ50-N-FA125	GG.CJ10-N-FA125.1	GRAE50-NPP-B-FA125.5	2,3	50	143	–	13	18
RCJ50-N-FA125	GG.CJ10-N-FA125.1	GE50-KRR-B-FA125.5	2,53	50	143	–	13	18
PCJT60-N-FA125	GG.CJT12-N-FA125.1	GRAE60-NPP-B-FA125.5	3,25	60	138	238	16	18

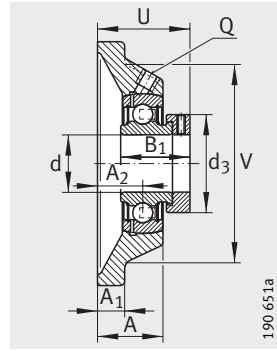
¹⁾ To be ordered separately.
For a description of the end caps, see Catalogue HR 1, Rolling Bearings.



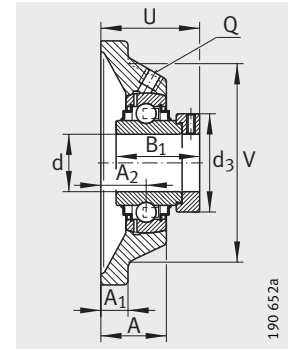
PCJT..-N-FA125



RCJT..-N-FA125



PCJ..-N-FA125

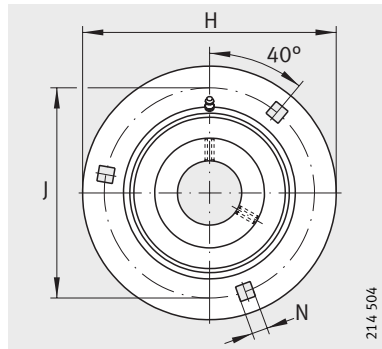


RCJ..-N-FA125

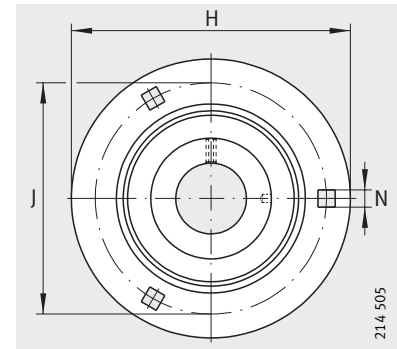
B ₁	J	A ₂	Q	d ₃ max.	A	U	V	Basic load ratings		End cap ¹⁾
								dyn. C _r N	stat. C _{0r} N	
31	90	19	R _p 1/8	33	28	42,5	61	12 800	6 600	KASK04
43,7	90	19	R _p 1/8	33	28	45,6	61	12 800	6 600	KASK04
31	63,5	19	R _p 1/8	33	29	42,5	68	12 800	6 600	KASK04
43,7	63,5	19	R _p 1/8	33	29	45,6	68	12 800	6 600	KASK04
31	99	19	R _p 1/8	37,5	29	42,5	70	14 000	7 800	KASK05
44,5	99	19	R _p 1/8	37,5	29	46	70	14 000	7 800	KASK05
31	70	19	R _p 1/8	37,5	29	42,5	74	14 000	7 800	KASK05
44,5	70	19	R _p 1/8	37,5	29	46	74	14 000	7 800	KASK05
35,8	116,5	20	R _p 1/8	44	29	46,8	80	19 500	11 300	KASK06
48,5	116,5	20	R _p 1/8	44	29	50,2	80	19 500	11 300	KASK06
35,8	82,5	20	R _p 1/8	44	29	46,8	85	19 500	11 300	KASK06
48,5	82,5	20	R _p 1/8	44	29	50,2	85	19 500	11 300	KASK06
39	130	21	R _p 1/8	51	30,5	50,5	92	25 500	15 300	KASK07
51,3	130	21	R _p 1/8	51	30,5	53,5	92	25 500	15 300	KASK07
39	92	21	R _p 1/8	51	30,5	50,5	100	25 500	15 300	KASK07
51,3	92	21	R _p 1/8	51	30,5	53,5	100	25 500	15 300	KASK07
43,8	143,5	24	R _p 1/8	58	34,5	56,8	105	32 500	19 800	KASK08
56,5	143,5	24	R _p 1/8	58	34,5	59,1	105	32 500	19 800	KASK08
43,8	101,5	24	R _p 1/8	58	34,5	56,8	110	32 500	19 800	KASK08
56,5	101,5	24	R _p 1/8	58	34,5	59,1	110	32 500	19 800	KASK08
43,8	157	28	R _p 1/8	69	39	60,8	116	35 000	23 200	KASK10
62,8	157	28	R _p 1/8	69	39	66,2	116	35 000	23 200	KASK10
43,8	111	28	R _p 1/8	69	39	60,8	125	35 000	23 200	KASK10
62,8	111	28	R _p 1/8	69	39	66,2	125	35 000	23 200	KASK10
53,1	202	34	R _p 1/8	84	46	73,6	138	52 000	36 000	KASK12

Housing units with sheet steel housing

Flanged housing units
Corrosion-resistant
VA design



GRRY..-VA



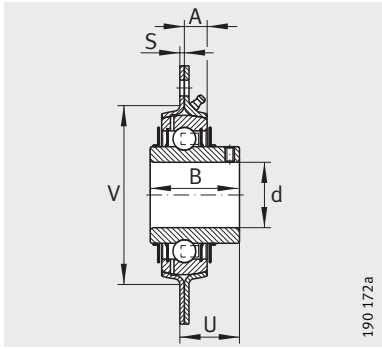
RRY..-VA

Dimension table · Dimensions in mm

Designation			Mass m ≈ kg	Dimensions		
Unit	Housing	Radial insert ball bearing		d	H	S
RRY12-VA ¹⁾	FLAN40-MSB-VA (2 pieces)	GYE12-KRR-B-VA	0,21	12	81	2
RRY15-VA ¹⁾	FLAN40-MSB-VA (2 pieces)	GYE15-KRR-B-VA	0,2	15	81	2
RRY17-VA ¹⁾	FLAN40-MSB-VA (2 pieces)	GYE17-KRR-B-VA	0,19	17	81	2
GRRY20-VA²⁾	FLAN47-MSB-VA/FLAN47-MSA-VA (1 piece each)	GYE20-KRR-B-VA	0,34	20	90,5	2
RRY20-VA	FLAN47-MSB-VA (2 pieces)	GYE20-KRR-B-VA	0,34	20	90,5	2
GRRY25-VA²⁾	FLAN52-MSB-VA/FLAN52-MSA-VA (1 piece each)	GYE25-KRR-B-VA	0,38	25	95	2
RRY25-VA	FLAN52-MSB-VA (2 pieces)	GYE25-KRR-B-VA	0,38	25	95	2
GRRY30-VA²⁾	FLAN62-MSB-VA/FLAN62-MSA-VA (1 piece each)	GYE30-KRR-B-VA	0,63	30	112,7	2,5
RRY30-VA	FLAN62-MSB-VA (2 pieces)	GYE30-KRR-B-VA	0,63	30	112,7	2,5

¹⁾ Housing and radial insert ball bearing must be ordered separately.

²⁾ Bearing can be relubricated.



GRRY..-VA, RRY..-VA

						Number of screw mounting holes n	Load carrying capacity of housing C_{OrG} N	Basic load ratings	
N	B	J	A	U	V			dyn. C_r N	stat. C_{Or} N
7,1	25	63,5	7	17,4	48	3	2 700	9 800	4 750
7,1	25	63,5	7	17,4	48	3	2 700	9 800	4 750
7,1	25	63,5	7	17,4	48	3	2 700	9 800	4 750
8,7	31	71,5	8	20,3	55	3	3 200	12 800	6 800
8,7	31	71,5	8	20,3	55	3	3 200	12 800	6 800
8,7	34	76	8,7	21,7	60	3	3 650	14 000	7 800
8,7	34	76	8,7	21,7	60	3	3 650	14 000	7 800
10,5	38,1	90,5	9	24,7	71	3	5 000	19 500	11 300
10,5	38,1	90,5	9	24,7	71	3	5 000	19 500	11 300

Product overview **Housing units With plastic housing**

Plummer block housing units

**RASEY..-TV-VA,
PASE..-TV-FA125.5**



**RSHEY..-TV-VA,
PSHE..-TV-FA125.5**



Flanged housing units

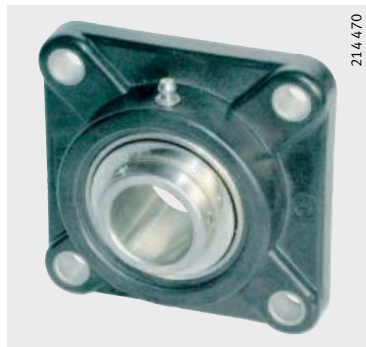
**RCJTY..-TV-VA,
PCJT..-TV-FA125.5**



GLCTE..-TV-FA125.5



**RCJY..-TV-VA,
PCJ..-TV-FA125.5**



Take-up housing units

**RTUEY..-TV-VA,
PTUE..-TV-FA125.5**



**RHEY..-TV-VA,
PHE..-TV-FA125.5**



Housing units With plastic housing

Features Housing units with a plastic housing are available as plummer block and flanged housing units as well as take-up housing units and have the suffix TV.

The glass fibre reinforced material PBT is highly resistant to moisture, UV radiation, bacterial and fungal attacks as well as many chemical media.

Housings with integral insert bearing

The units are ready to fit and comprise plastic housings in which INA insert bearings are integrated; for a description of the insert bearings, see page 43 and page 44. In order to ensure function and reliability under all operating conditions, the bearing and housing are matched to each other.

Bearings of the corrosion-resistant VA design are located on the shaft by means of grub screws, bearings with the suffix FA125.5 are located by means of an eccentric locking collar.

The units are used predominantly as locating bearings, but are also suitable as non-locating bearings under low loads and speeds.

The housings are screw mounted to the adjacent construction. Less stringent tolerances are sufficient for the screw mounting surfaces.

Compensation of static misalignments

Due to the spherical outside surface of the bearing outer ring and the concave housing bore, INA housing units can compensate for static angular misalignment of the shaft.

Housing units

With plastic housing

Housing units	The housing units are available with insert bearings in the corrosion-resistant VA design or with Corrotect [®] coating to FA125.5.
Plummer block housing units	<p>Plummer block housing units are available with a long base or short base. The housings are made from glass fibre reinforced plastic PBT, are not split and are screw mounted to the adjacent construction by means of slots or threaded holes. Fixing screws to DIN EN ISO 4 762 are suitable.</p> <p>For relubrication of insert bearings, the housing bore has a lubrication groove and the housing has a lubrication hole for conventional tapered lubrication nipples to DIN ANSI B1.1. The lubrication nipple is supplied already fitted, a bearing end cap is supplied loose at the time of delivery.</p>
Flanged housing units	<p>Flanged housing units are available as two-bolt and four-bolt units. For location, the housings have through holes for screws to DIN EN ISO 4 762.</p> <p>The housing material, the design of lubrication arrangements and the delivered condition correspond to those of plummer block housing units.</p>
Take-up housing units	<p>Take-up housing units allow some displacement. They are used where shafts must carry out long displacement motions.</p> <p>The housing material, the design of lubrication arrangements and the delivered condition correspond to those of plummer block housing units.</p>

End caps

Closed design

Each housing unit is supplied with a closed end cap KASK...S-G.

Open design

For all units, open end caps are available by agreement with an integral rotary shaft seal KASK..S-R-NBR, *Figure 1* and table.

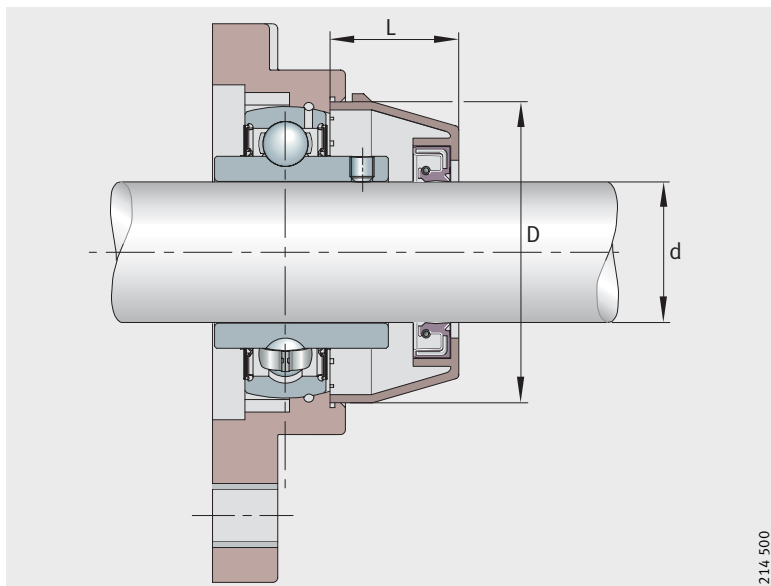


Figure 1
Open end cap
with integral rotary shaft seal

End caps, designations and dimensions

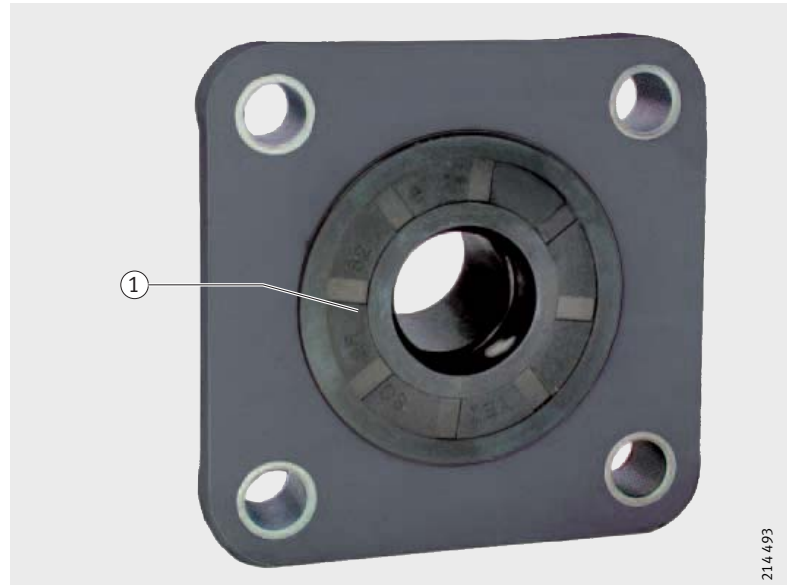
Designation		Dimensions (mm)		
End cap, closed design	End cap, open design	d	D	L
KASK04-S-G	KASK04-S-R-NBR	20	50	23
KASK05-S-G	KASK05-S-R-NBR	25	55	25
KASK06-S-G	KASK06-S-R-NBR	30	64	30
KASK07-S-G	KASK07-S-R-NBR	35	74,5	32
KASK08-S-G	KASK08-S-R-NBR	40	84	37
KASK09-S-G	KASK09-S-R-NBR	45	89	41
KASK10-S-G	KASK10-S-R-NBR	50	94	47

Housing units With plastic housing

Back Seal component

For series PCJT..-TV-FA125.5 and PCJ..-TV-FA125.5, a Back Seal component RWDR...-R-NBR is available that closes off the rear face of the housing, *Figure 2*.

For dimensions see *Figure 3* and table.



① Back Seal component

Figure 2
PCJ with Back Seal component

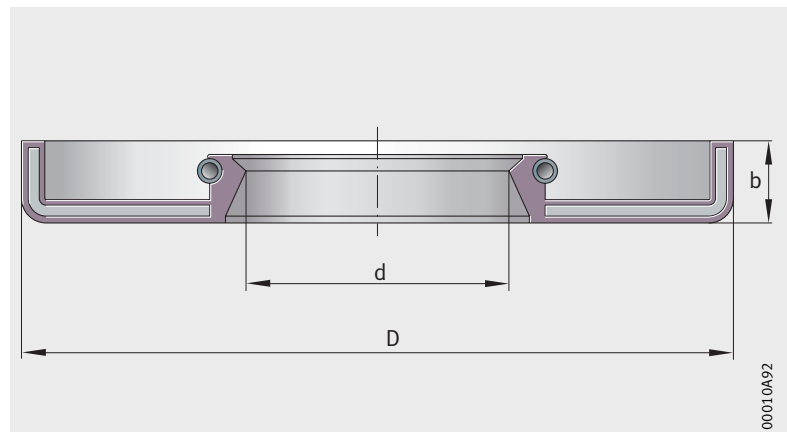


Figure 3
Dimensions
of Back Seal component

Designations and dimensions

Designation	Dimensions (mm)		
	d	b	D
RWDR04-R-NBR	20	6	52
RWDR05-R-NBR	25	6	62
RWDR06-R-NBR	30	6	72
RWDR07-R-NBR	35	6	82
RWDR08-R-NBR	40	6	88
RWDR09-R-NBR	45	6	93
RWDR10-R-NBR	50	6	98

Operating temperature Units with a plastic housing are suitable for operating temperatures from $-20\text{ }^{\circ}\text{C}$ to $+80\text{ }^{\circ}\text{C}$.

Suffixes Suffixes for the available designs: see table.

Available designs

Suffix	Design
TV	Housing made from glass fibre reinforced plastic
VA	Corrosion-resistant design made from high alloy rolling bearing steel
FA125.5	Bearing with Corrotect [®] coating, protected against corrosion

Further information



For information on the design of bearing arrangements, lubrication, fitting and operation of the bearings, attention must be paid to Catalogue HR 1, Rolling Bearings.

Design and safety guidelines



Due to their versatile characteristics, INA housed bearing units can be easily used in almost all industrial sectors. If bearing arrangements are planned for equipment in which a malfunction could be hazardous to persons or an unplanned stoppage of the machine could cause major disruption, it is essential that you consult us before proceeding with the design.

Load carrying capacity of insert bearings and housings

The axial load carrying capacity of insert bearings must not exceed the axial load carrying capacity of the housing.

Radial and axial load carrying capacity of housings

The housings can support radial loads up to C_{0rG} and axial loads up to $0,25 \times C_{0r}$.

Speed limits for insert bearings

The speed limits are dependent on the load, the clearance between the bearing bore and the shaft and the friction of the seals; see Catalogue HR 1, Rolling Bearings.

Shaft tolerances for insert bearings

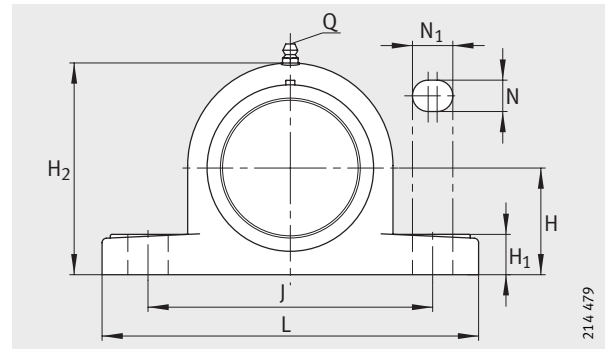
Tolerances from h6 to h9 are suitable for unit shafts. Conventional drawn shafts will suffice for most applications.

Accuracy Tolerances of plastic housings

The dimensional and geometrical tolerances of plastic housings correspond to DIN 16 901.

Housing units with plastic housing

Plummer block housing units
Insert bearings
in corrosion-resistant VA design
or with Corrotect® coating



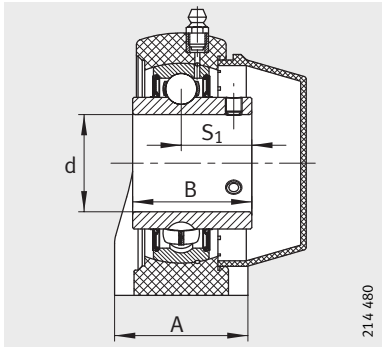
RASEY..-TV-VA, PASE..-TV-FA125.5

Dimension table · Dimensions in mm

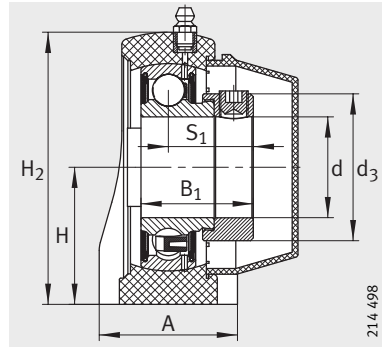
Designation			Mass m ≈kg	Dimensions				
Unit ¹⁾	Housing	Radial insert ball bearing		d	H	J	L	A
RASEY20-TV-VA	GEH.ASE04-TV	GYE20-KRR-B-FA107-VA	0,31	20	33,3	95	127	38
PASE20-TV-FA125.5	GEH.ASE04-TV	GRAE20-NPP-B-FA107/125.5	0,32	20	33,3	95	127	38
RASEY25-TV-VA	GEH.ASE05-TV	GYE25-KRR-B-FA107-VA	0,38	25	36,5	105	140,5	38
PASE25-TV-FA125.5	GEH.ASE05-TV	GRAE25-NPP-B-FA107/125.5	0,37	25	36,5	105	140,5	38
RASEY30-TV-VA	GEH.ASE06-TV	GYE30-KRR-B-FA107-VA	0,58	30	42,9	119	163	46
PASE30-TV-FA125.5	GEH.ASE06-TV	GRAE30-NPP-B-FA107/125.5	0,6	30	42,9	119	163	46
RASEY35-TV-VA	GEH.ASE07-TV	GYE35-KRR-B-FA107-VA	0,81	35	47,6	127	168	48
PASE35-TV-FA125.5	GEH.ASE07-TV	GRAE35-NPP-B-FA107/125.5	0,82	35	47,6	127	168	48
RASEY40-TV-VA	GEH.ASE08-TV	GYE40-KRR-B-FA107-VA	1,05	40	49,2	137	184	54
PASE40-TV-FA125.5	GEH.ASE08-TV	GRAE40-NPP-B-FA107/125.5	1,06	40	49,2	137	184	54
RASEY45-TV-VA²⁾	GEH.ASE09-TV	GYE45-KRR-B-FA107-VA	1,16	45	54	146	192	54
PASE45-TV-FA125.5²⁾	GEH.ASE09-TV	GRAE45-NPP-B-FA107/125.5	1,19	45	54	146	192	54
RASEY50-TV-VA²⁾	GEH.ASE10-TV	GYE50-KRR-B-FA107-VA	1,41	50	57,2	159	206	60
PASE50-TV-FA125.5²⁾	GEH.ASE10-TV	GRAE50-NPP-B-FA107/125.5	1,37	50	57,2	159	206	60

¹⁾ Available end caps: see page 63.

²⁾ Available by agreement.



RASEY..TV-VA

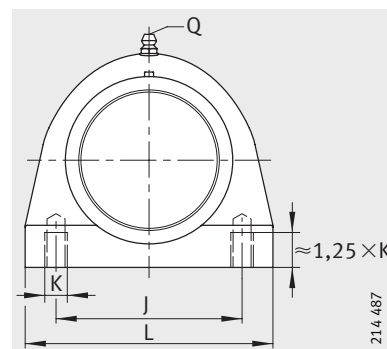


PASE..TV-FA125.5

									Basic load ratings		Load carrying capacity of housing
H ₁	H ₂	N	N ₁	B	B ₁	S ₁	Q	d ₃	dyn. C _r	stat. C _{0r}	C _{0rG}
								max.	N	N	N
14,2	65,5	11	14	31	–	18,3	1/4 – 28 UNF	–	12 800	6 600	7 700
14,2	65,5	11	14	–	31	23,5	1/4 – 28 UNF	33	12 800	6 600	7 700
14,5	71	11	14	34,1	–	19,8	1/4 – 28 UNF	–	14 000	7 800	10 000
14,5	71	11	14	–	31	23,5	1/4 – 28 UNF	37,5	14 000	7 800	10 000
17,8	84	14	18	38,1	–	22,2	1/4 – 28 UNF	–	19 500	11 300	10 600
17,8	84	14	18	–	35,8	26,8	1/4 – 28 UNF	44	19 500	11 300	10 600
18	94,5	14	18	42,9	–	25,4	1/4 – 28 UNF	–	25 500	15 300	10 800
18	94,5	14	18	–	39	29,5	1/4 – 28 UNF	51	25 500	15 300	10 800
19,5	99	14	18	49,2	–	30,2	1/4 – 28 UNF	–	32 500	19 800	11 100
19,5	99	14	18	–	43,8	32,8	1/4 – 28 UNF	58	32 500	19 800	11 100
23	106	17	20	49,2	–	30,2	1/4 – 28 UNF	–	32 500	20 400	11 400
23	106	17	20	–	43,8	32,7	1/4 – 28 UNF	63	32 500	20 400	11 400
23	114	17	20	51,6	–	32,6	1/4 – 28 UNF	–	35 000	23 200	11 700
23	114	17	20	–	43,8	32,7	1/4 – 28 UNF	69	35 000	23 200	11 700

Housing units with plastic housing

Plummer block housing units
Insert bearings
in corrosion-resistant VA design
or with Corrotect[®] coating



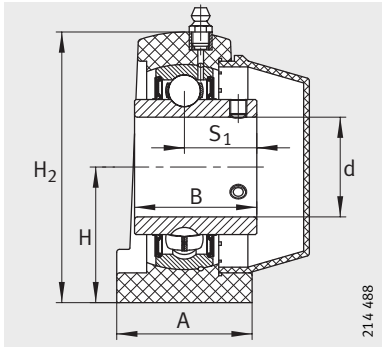
RSHEY.-TV-VA,
PSHE.-TV-FA125.5

Dimension table · Dimensions in mm

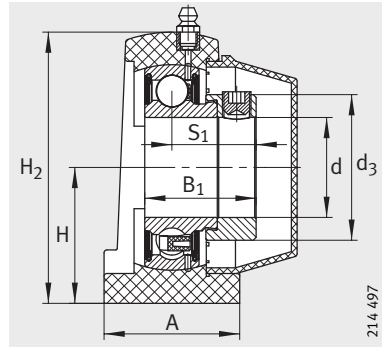
Designation			Mass m ≈ kg	Dimensions			
Unit ¹⁾	Housing	Radial insert ball bearing		d	H	A	H ₂
RSHEY20-TV-VA	GEH.SHE04-TV	GYE20-KRR-B-FA107-VA	0,29	20	33,3	34,5	66
PSHE20-TV-FA125.5	GEH.SHE04-TV	GRAE20-NPP-B-FA107/125.5	0,3	20	33,3	34,5	66
RSHEY25-TV-VA	GEH.SHE05-TV	GYE25-KRR-B-FA107-VA	0,36	25	36,5	39,5	73,5
PSHE25-TV-FA125.5	GEH.SHE05-TV	GRAE25-NPP-B-FA107/125.5	0,35	25	36,5	39,5	73,5
RSHEY30-TV-VA	GEH.SHE06-TV	GYE30-KRR-B-FA107-VA	0,55	30	42,9	42,5	84
PSHE30-TV-FA125.5	GEH.SHE06-TV	GRAE30-NPP-B-FA107/125.5	0,57	30	42,9	42,5	84
RSHEY35-TV-VA	GEH.SHE07-TV	GYE35-KRR-B-FA107-VA	0,79	35	47,6	47,5	95
PSHE35-TV-FA125.5	GEH.SHE07-TV	GRAE35-NPP-B-FA107/125.5	0,8	35	47,6	47,5	95
RSHEY40-TV-VA	GEH.SHE08-TV	GYE40-KRR-B-FA107-VA	0,97	40	49,2	48	100,5
PSHE40-TV-FA125.5	GEH.SHE08-TV	GRAE40-NPP-B-FA107/125.5	0,99	40	49,2	48	100,5
RSHEY45-TV-VA²⁾	GEH.SHE09-TV	GYE45-KRR-B-FA107-VA	1,09	45	54	50	108,5
PSHE45-TV-FA125.5²⁾	GEH.SHE09-TV	GRAE45-NPP-B-FA107/125.5	1,12	45	54	50	108,5
RSHEY50-TV-VA²⁾	GEH.SHE10-TV	GYE50-KRR-B-FA107-VA	1,26	50	57,2	54	115
PSHE50-TV-FA125.5²⁾	GEH.SHE10-TV	GRAE50-NPP-B-FA107/125.5	1,22	50	57,2	54	115

¹⁾ Available end caps: see page 63.

²⁾ Available by agreement.



RSHEY..-TV-VA

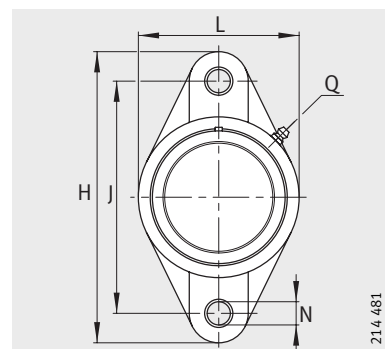


PSHE..-TV-FA125.5

								Basic load ratings		Load carrying capacity of housing C _{0rG} N
K	B	B ₁	J	S ₁	Q	d ₃ max.	L	dyn. C _r N	stat. C _{0r} N	
M8	31	–	50,8	18,3	1/4 – 28 UNF	–	72,8	12 800	6 600	6 900
M8	–	31	50,8	23,5	1/4 – 28 UNF	33	72,8	12 800	6 600	6 900
M10	34,1	–	50,8	19,8	1/4 – 28 UNF	–	76,2	14 000	7 800	7 000
M10	–	31	50,8	23,5	1/4 – 28 UNF	37,5	76,2	14 000	7 800	7 000
M10	38,1	–	76,2	22,2	1/4 – 28 UNF	–	101	19 500	11 300	6 500
M10	–	35,8	76,2	26,8	1/4 – 28 UNF	44	101	19 500	11 300	6 500
M10	42,9	–	82,6	25,4	1/4 – 28 UNF	–	110	25 500	15 300	8 000
M10	–	39	82,6	29,5	1/4 – 28 UNF	51	110	25 500	15 300	8 000
M12	49,2	–	88,9	30,2	1/4 – 28 UNF	–	120	32 500	19 800	9 100
M12	–	43,8	88,9	32,8	1/4 – 28 UNF	58	120	32 500	19 800	9 100
M12	49,2	–	95,3	30,2	1/4 – 28 UNF	–	124	32 500	20 400	10 400
M12	–	43,8	95,3	32,7	1/4 – 28 UNF	63	124	32 500	20 400	10 400
M16	51,6	–	101,6	32,6	1/4 – 28 UNF	–	135	35 000	23 200	11 000
M16	–	43,8	101,6	32,7	1/4 – 28 UNF	69	135	35 000	23 200	11 000

Housing units with plastic housing

Flanged housing units
Insert bearings
in corrosion-resistant VA design
or with Corrotect® coating



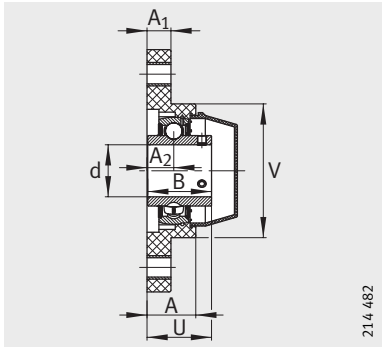
RCJTY...TV-VA, PCJT...TV-FA125.5

Dimension table · Dimensions in mm								
Designation			Mass m ≈kg	Dimensions				
Unit ¹⁾	Housing	Radial insert ball bearing		d	L	H	A ₁	N
RCJTY20-TV-VA	GEH.CJT04-TV	GYE20-KRR-B-FA107-VA	0,26	20	63,8	114	11,4	11
PCJT20-TV-FA125.5²⁾	GEH.CJT04-TV	GRAE20-NPP-B-FA107/125.5	0,27	20	63,8	114	11,4	11
RCJTY25-TV-VA	GEH.CJT05-TV	GYE25-KRR-B-FA107-VA	0,33	25	70	130	13,5	11
PCJT25-TV-FA125.5²⁾	GEH.CJT05-TV	GRAE25-NPP-B-FA107/125.5	0,33	25	70	130	13,5	11
RCJTY30-TV-VA	GEH.CJT06-TV	GYE30-KRR-B-FA107-VA	0,47	30	80	148	13,3	11
PCJT30-TV-FA125.5²⁾	GEH.CJT06-TV	GRAE30-NPP-B-FA107/125.5	0,49	30	80	148	13,3	11
RCJTY35-TV-VA	GEH.CJT07-TV	GYE35-KRR-B-FA107-VA	0,68	35	90	163	16,1	13
PCJT35-TV-FA125.5²⁾	GEH.CJT07-TV	GRAE35-NPP-B-FA107/125.5	0,69	35	90	163	16,1	13
RCJTY40-TV-VA	GEH.CJT08-TV	GYE40-KRR-B-FA107-VA	0,92	40	100	176	20	14
PCJT40-TV-FA125.5²⁾	GEH.CJT08-TV	GRAE40-NPP-B-FA107/125.5	0,93	40	100	176	20	14
RCJTY45-TV-VA³⁾	GEH.CJT09-TV	GYE45-KRR-B-FA107-VA	1,05	45	108	188,5	21	17
PCJT45-TV-FA125.5²⁾³⁾	GEH.CJT09-TV	GRAE45-NPP-B-FA107/125.5	1,09	45	108	188,5	21	17
RCJTY50-TV-VA³⁾	GEH.CJT10-TV	GYE50-KRR-B-FA107-VA	1,23	50	115	197	21	17
PCJT50-TV-FA125.5²⁾³⁾	GEH.CJT10-TV	GRAE50-NPP-B-FA107/125.5	1,18	50	115	197	21	17

¹⁾ Available end caps: see page 63.

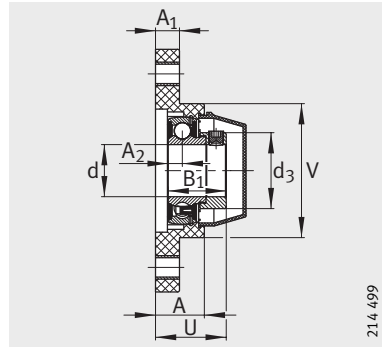
²⁾ For these series, Back Seal components are also available.

³⁾ Available by agreement.



214 482

RCJT.-TV-VA



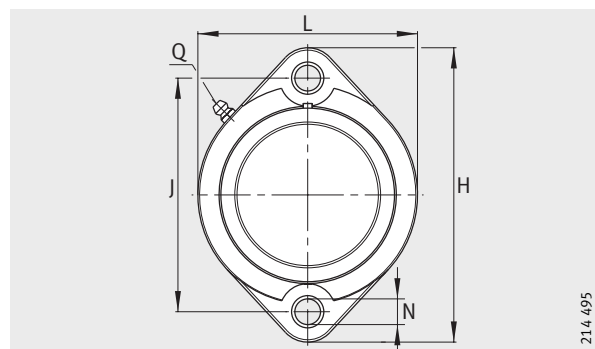
214 499

PCJT.-TV-FA125.5

									Basic load ratings		Load carrying capacity of housing
B	B ₁	J	A ₂	Q	d ₃ max.	A	U	V	dyn. C _r N	stat. C _{0r} N	C _{0rG} N
31	–	90	15,4	1/4 – 28 UNF	–	26,5	33,7	63,8	12 800	6 600	8 500
–	31	90	15,4	1/4 – 28 UNF	33	26,5	38,9	63,8	12 800	6 600	8 500
34,1	–	99	17	1/4 – 28 UNF	–	29,1	36,8	70	14 000	7 800	11 100
–	31	99	17	1/4 – 28 UNF	37,5	29,1	40,5	70	14 000	7 800	11 100
38,1	–	117	19	1/4 – 28 UNF	–	30,6	41,2	80	19 500	11 300	14 200
–	35,8	117	19	1/4 – 28 UNF	44	30,6	45,8	80	19 500	11 300	14 200
42,9	–	130	18	1/4 – 28 UNF	–	32,8	43,4	90	25 500	15 300	14 900
–	39	130	18	1/4 – 28 UNF	51	32,8	47,5	90	25 500	15 300	14 900
49,2	–	144	21,5	1/4 – 28 UNF	–	36,5	51,7	100	32 500	19 800	14 900
–	43,8	144	21,5	1/4 – 28 UNF	58	36,5	54,3	100	32 500	19 800	14 900
49,2	–	148,5	24	1/4 – 28 UNF	–	41	54,2	108	32 500	20 400	15 100
–	43,8	148,5	24	1/4 – 28 UNF	63	41	56,8	108	32 500	20 400	15 100
51,6	–	157	25	1/4 – 28 UNF	–	43	57,6	115	35 000	23 200	15 600
–	43,8	157	25	1/4 – 28 UNF	69	43	57,8	115	35 000	23 200	15 600

Housing units with plastic housing

Flanged housing units
Insert bearings
with Corrotect[®] coating

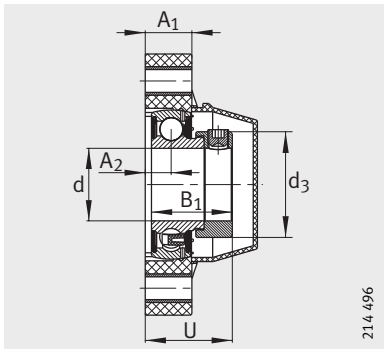


GLCTE...TV-FA125.5

Dimension table · Dimensions in mm

Designation			Mass m ≈kg	Dimensions				
Unit ¹⁾	Housing	Radial insert ball bearing		d	L	H	A ₁	N
GLCTE20-TV-FA125.5	GEH.GLCTE04-TV	GRAE20-NPP-B-FA107/125.5	0,26	20	66,5	90,5	18,4	9
GLCTE25-TV-FA125.5	GEH.GLCTE05-TV	GRAE25-NPP-B-FA107/125.5	0,29	25	71	97	18,4	9
GLCTE30-TV-FA125.5	GEH.GLCTE06-TV	GRAE30-NPP-B-FA107/125.5	0,47	30	84	112,5	20,5	11
GLCTE35-TV-FA125.5	GEH.GLCTE07-TV	GRAE35-NPP-B-FA107/125.5	0,66	35	94	126	22,5	11
GLCTE40-TV-FA125.5	GEH.GLCTE08-TV	GRAE40-NPP-B-FA107/125.5	0,86	40	100	150	24	14

¹⁾ Available end caps: see page 63.

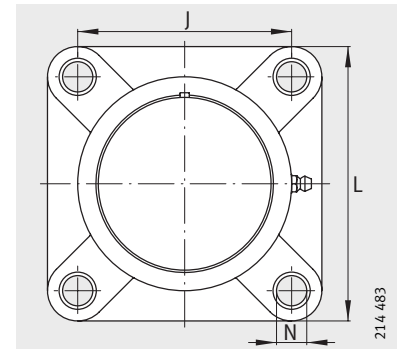


GLCTE...TV-FA125.5

						Basic load ratings		Load carrying capacity of housing
B ₁	J	A ₂	Q	d ₃ max.	U	dyn. C _r N	stat. C _{0r} N	C _{0rG} N
31	71,4	9,5	1/4 – 28 UNF	33	33	12 800	6 600	7 200
31	76,2	10	1/4 – 28 UNF	37,5	33,5	14 000	7 800	9 400
35,8	90,5	11,5	1/4 – 28 UNF	44	38,3	19 500	11 300	12 000
39	100	12,5	1/4 – 28 UNF	51	42	25 500	15 300	12 600
43,8	119	13,5	1/4 – 28 UNF	58	46,3	32 500	19 800	12 800

Housing units with plastic housing

Flanged housing units
Insert bearings
in corrosion-resistant VA design
or with Corrotect[®] coating



RCJY..-TV-VA, PCJ..-TV-FA125.5

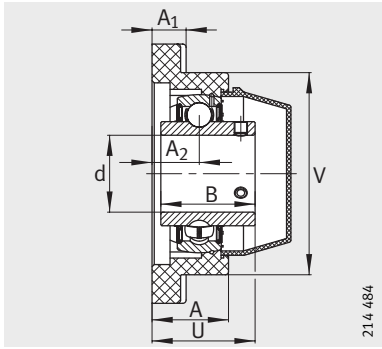
Dimension table · Dimensions in mm

Designation			Mass m ≈kg	Dimensions				
Unit ¹⁾	Housing	Radial insert ball bearing		d	L	A ₁	N	B
RCJY20-TV-VA	GEH.CJ04-TV	GYE20-KRR-B-FA107-VA	0,32	20	87	13,4	11	31
PCJ20-TV-FA125.5²⁾	GEH.CJ04-TV	GRAE20-NPP-B-FA107/125.5	0,33	20	87	13,4	11	–
RCJY25-TV-VA	GEH.CJ05-TV	GYE25-KRR-B-FA107-VA	0,4	25	95	14,3	11	34,1
PCJ25-TV-FA125.5²⁾	GEH.CJ05-TV	GRAE25-NPP-B-FA107/125.5	0,39	25	95	14,3	11	–
RCJY30-TV-VA	GEH.CJ06-TV	GYE30-KRR-B-FA107-VA	0,55	30	107	14,3	11	38,1
PCJ30-TV-FA125.5²⁾	GEH.CJ06-TV	GRAE30-NPP-B-FA107/125.5	0,57	30	107	14,3	11	–
RCJY35-TV-VA	GEH.CJ07-TV	GYE35-KRR-B-FA107-VA	0,78	35	118	15,5	13	42,9
PCJ35-TV-FA125.5²⁾	GEH.CJ07-TV	GRAE35-NPP-B-FA107/125.5	0,79	35	118	15,5	13	–
RCJY40-TV-VA	GEH.CJ08-TV	GYE40-KRR-B-FA107-VA	1,04	40	130	17	14	49,2
PCJ40-TV-FA125.5²⁾	GEH.CJ08-TV	GRAE40-NPP-B-FA107/125.5	1,05	40	130	17	14	–
RCJY45-TV-VA³⁾	GEH.CJ09-TV	GYE45-KRR-B-FA107-VA	1,16	45	137	19	17	49,2
PCJ45-TV-FA125.5²⁾³⁾	GEH.CJ09-TV	GRAE45-NPP-B-FA107/125.5	1,2	45	137	19	17	–
RCJY50-TV-VA³⁾	GEH.CJ10-TV	GYE50-KRR-B-FA107-VA	1,36	50	143	21	17	51,6
PCJ50-TV-FA125.5²⁾³⁾	GEH.CJ10-TV	GRAE50-NPP-B-FA107/125.5	1,32	50	143	21	17	–

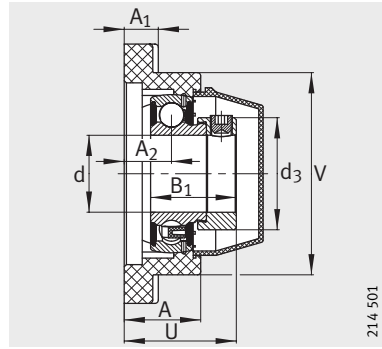
¹⁾ Available end caps: see page 63.

²⁾ For these series, Back Seal components are also available.

³⁾ Available by agreement.



RCJTY..-TV-VA

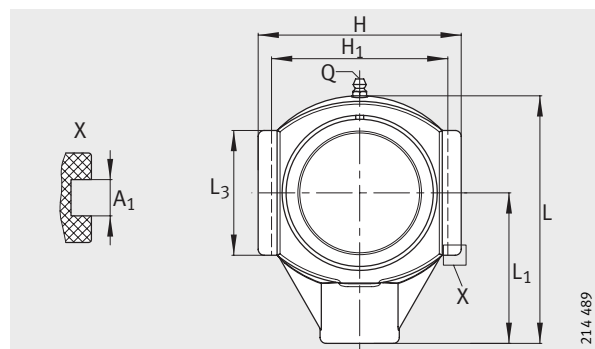


PCJ..-TV-FA125.5

								Basic load ratings		Load carrying capacity of housing
B ₁	J	A ₂	Q	d ₃ max.	A	U	V	dyn. C _r N	stat. C _{0r} N	C _{0rG} N
-	63,5	18	1/4 - 28 UNF	-	28	36,3	63,5	12 800	6 600	10 200
31	63,5	18	1/4 - 28 UNF	33	28	41,5	63,5	12 800	6 600	10 200
-	70	17	1/4 - 28 UNF	-	28	36,8	70	14 000	7 800	12 100
31	70	17	1/4 - 28 UNF	37,5	28	40,5	70	14 000	7 800	12 100
-	83	19,2	1/4 - 28 UNF	-	31,5	41,4	80	19 500	11 300	17 700
35,8	83	19,2	1/4 - 28 UNF	44	31,5	46	80	19 500	11 300	17 700
-	92	21,5	1/4 - 28 UNF	-	34,8	46,9	90	25 500	15 300	18 500
39	92	21,5	1/4 - 28 UNF	51	34,8	51	90	25 500	15 300	18 500
-	102	23	1/4 - 28 UNF	-	37,5	53,2	99	32 500	19 800	19 200
43,8	102	23	1/4 - 28 UNF	58	37,5	55,8	99	32 500	19 800	19 200
-	105	24	1/4 - 28 UNF	-	41	54,2	105	32 500	20 400	19 300
43,8	105	24	1/4 - 28 UNF	63	41	56,8	105	32 500	20 400	19 300
-	111	25	1/4 - 28 UNF	-	43	57,6	111	35 000	23 200	19 600
43,8	111	25	1/4 - 28 UNF	69	43	57,8	111	35 000	23 200	19 600

Housing units with plastic housing

Take-up housing units
Insert bearings
in corrosion-resistant VA design
or with Corrotect® coating



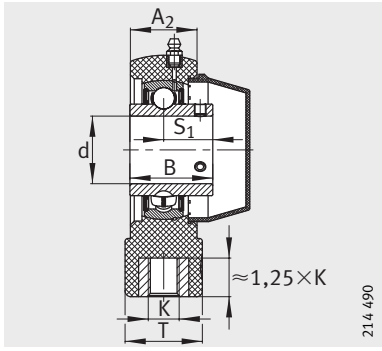
RTUEY..-TV-VA, PTUE..-TV-FA125.5

Dimension table · Dimensions in mm

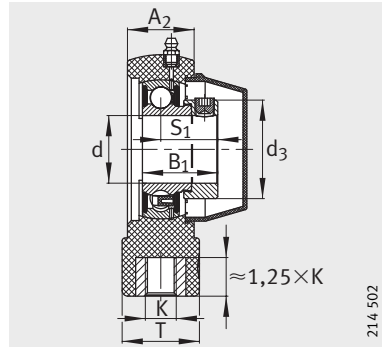
Designation			Mass m ≈kg	Dimensions					
Unit ¹⁾	Housing	Radial insert ball bearing		d	A ₂	A ₁	L	L ₁	K
RTUEY20-TV-VA	GEH.TUE04-TV	GYE20-KRR-B-FA107-VA	0,39	20	27,5	12	99	64	M16
PTUE20-TV-FA125.5	GEH.TUE04-TV	GRAE20-NPP-B-FA107/125.5	0,4	20	27,5	12	99	64	M16
RTUEY25-TV-VA	GEH.TUE05-TV	GYE25-KRR-B-FA107-VA	0,42	25	27,5	12	99	64	M16
PTUE25-TV-FA125.5	GEH.TUE05-TV	GRAE25-NPP-B-FA107/125.5	0,41	25	27,5	12	99	64	M16
RTUEY30-TV-VA	GEH.TUE06-TV	GYE30-KRR-B-FA107-VA	0,69	30	34,5	12	125	76	M16
PTUE30-TV-FA125.5	GEH.TUE06-TV	GRAE30-NPP-B-FA107/125.5	0,71	30	34,5	12	125	76	M16
RTUEY35-TV-VA	GEH.TUE07-TV	GYE35-KRR-B-FA107-VA	0,81	35	34,5	12	125	76	M16
PTUE35-TV-FA125.5	GEH.TUE07-TV	GRAE35-NPP-B-FA107/125.5	0,82	35	34,5	12	125	76	M16
RTUEY40-TV-VA	GEH.TUE08-TV	GYE40-KRR-B-FA107-VA	1,04	40	33,5	16	140	85	M16
PTUE40-TV-FA125.5	GEH.TUE08-TV	GRAE40-NPP-B-FA107/125.5	1,05	40	33,5	16	140	85	M16
RTUEY45-TV-VA²⁾	GEH.TUE09-TV	GYE45-KRR-B-FA107-VA	1,16	45	40	16	149	90	M20
PTUE45-TV-FA125.5²⁾	GEH.TUE09-TV	GRAE45-NPP-B-FA107/125.5	1,19	45	40	16	149	90	M20
RTUEY50-TV-VA²⁾	GEH.TUE10-TV	GYE50-KRR-B-FA107-VA	1,32	50	40	16	149	90	M20
PTUE50-TV-FA125.5²⁾	GEH.TUE10-TV	GRAE50-NPP-B-FA107/125.5	1,28	50	40	16	149	90	M20

¹⁾ Available end caps: see page 63.

²⁾ Available by agreement.



RTUEY..-TV-VA

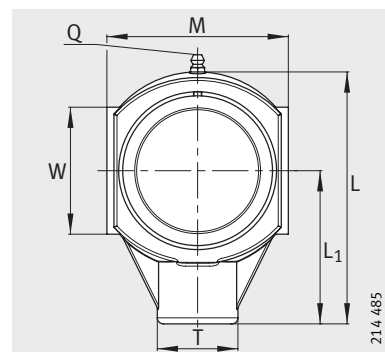


PTUE..-TV-FA125.5

									Basic load ratings		Load carrying capacity of housing
B	B ₁	H	H ₁	S ₁	Q	T	L ₃	d ₃ max.	dyn. C _r N	stat. C _{0r} N	C _{0rG} N
31	-	89	76	18,3	1/4 - 28 UNF	36	47	-	12 800	6 600	9 600
-	31	89	76	23,5	1/4 - 28 UNF	36	47	33	12 800	6 600	9 600
34,1	-	89	76	19,8	1/4 - 28 UNF	36	47	-	14 000	7 800	10 000
-	31	89	76	23,5	1/4 - 28 UNF	36	47	37,5	14 000	7 800	10 000
38,1	-	102,5	89	22,2	1/4 - 28 UNF	40	63	-	19 500	11 300	10 200
-	35,8	102,5	89	26,8	1/4 - 28 UNF	40	63	44	19 500	11 300	10 200
42,9	-	102,5	89	25,4	1/4 - 28 UNF	40	63	-	25 500	15 300	10 700
-	39	102,5	89	29,5	1/4 - 28 UNF	40	63	51	25 500	15 300	10 700
49,2	-	113	102	30,2	1/4 - 28 UNF	40	80	-	32 500	19 800	11 200
-	43,8	113	102	32,8	1/4 - 28 UNF	40	80	58	32 500	19 800	11 200
49,2	-	117	102	30,2	1/4 - 28 UNF	50	85	-	32 500	20 400	11 800
-	43,8	117	102	32,8	1/4 - 28 UNF	50	85	63	32 500	20 400	11 800
51,6	-	117	102	32,6	1/4 - 28 UNF	50	85	-	35 000	23 200	12 200
-	43,8	117	102	32,8	1/4 - 28 UNF	50	85	69	35 000	23 200	12 200

Housing units with plastic housing

Take-up housing units
Insert bearings
in corrosion-resistant VA design
or with Corrotect[®] coating



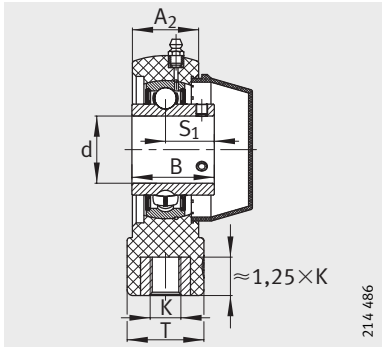
RHEY..-TV-VA, PHE..-TV-FA125.5

Dimension table · Dimensions in mm

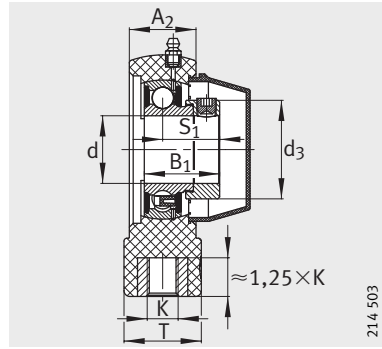
Designation			Mass m ≈kg	Dimensions				
Unit ¹⁾	Housing	Radial insert ball bearing		d	L	A ₂	L ₁	K
RHEY20-TV-VA	GEH.HE04-TV	GYE20-KRR-B-FA107-VA	0,36	20	99	27,5	63,5	M16
PHE20-TV-FA125.5	GEH.HE04-TV	GRAE20-NPP-B-FA107/125.5	0,37	20	99	27,5	63,5	M16
RHEY25-TV-VA	GEH.HE05-TV	GYE25-KRR-B-FA107-VA	0,4	25	99	27,5	63,5	M16
PHE25-TV-FA125.5	GEH.HE05-TV	GRAE25-NPP-B-FA107/125.5	0,4	25	99	27,5	63,5	M16
RHEY30-TV-VA	GEH.HE06-TV	GYE30-KRR-B-FA107-VA	0,67	30	125	34,5	76	M16
PHE30-TV-FA125.5	GEH.HE06-TV	GRAE30-NPP-B-FA107/125.5	0,69	30	125	34,5	76	M16
RHEY35-TV-VA	GEH.HE07-TV	GYE35-KRR-B-FA107-VA	0,78	35	125	34,5	76	M16
PHE35-TV-FA125.5	GEH.HE07-TV	GRAE35-NPP-B-FA107/125.5	0,79	35	125	34,5	76	M16
RHEY40-TV-VA	GEH.HE08-TV	GYE40-KRR-B-FA107-VA	1,01	40	140	34,5	85	M16
PHE40-TV-FA125.5	GEH.HE08-TV	GRAE40-NPP-B-FA107/125.5	1,02	40	140	34,5	85	M16
RHEY45-TV-VA²⁾	GEH.HE09-TV	GYE45-KRR-B-FA107-VA	1,13	45	149	40	90	M20
PHE45-TV-FA125.5²⁾	GEH.HE09-TV	GRAE45-NPP-B-FA107/125.5	1,16	45	149	40	90	M20
RHEY50-TV-VA²⁾	GEH.HE10-TV	GYE50-KRR-B-FA107-VA	1,28	50	149	40	90	M20
PHE50-TV-FA125.5²⁾	GEH.HE10-TV	GRAE50-NPP-B-FA107/125.5	1,24	50	149	40	90	M20

¹⁾ Available end caps: see page 63.

²⁾ Available by agreement.

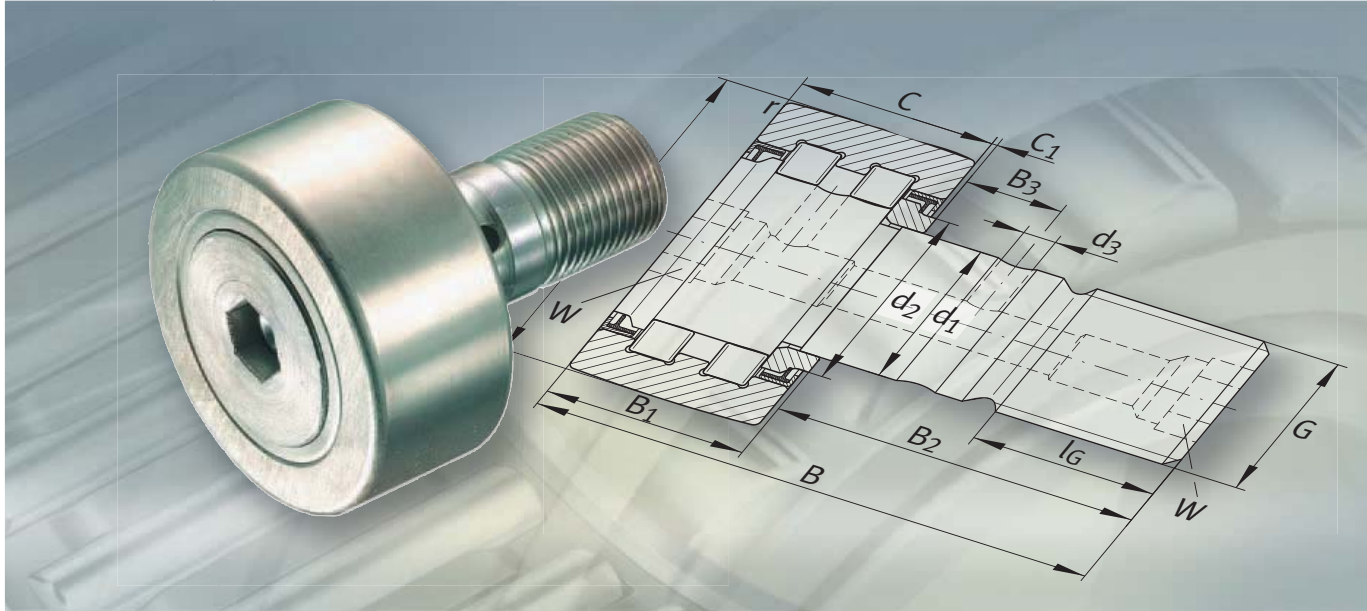


RHEY..-TV-VA



PHE..-TV-FA125.5

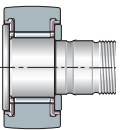
									Basic load ratings		Load carrying capacity of housing C _{0rG} N
B	B ₁	M	S ₁	Q	d ₃ max.	T	W	dyn. C _r N	stat. C _{0r} N		
31	–	65	18,3	1/4 – 28 UNF	–	36	47	12 800	6 600	9 600	
–	31	65	23,5	1/4 – 28 UNF	33	36	47	12 800	6 600	9 600	
34,1	–	74	19,8	1/4 – 28 UNF	–	36	47	14 000	7 800	10 000	
–	31	74	23,5	1/4 – 28 UNF	37,5	36	47	14 000	7 800	10 000	
38,1	–	90	22,2	1/4 – 28 UNF	–	40	63	19 500	11 300	10 200	
–	35,8	90	26,8	1/4 – 28 UNF	44	40	63	19 500	11 300	10 200	
42,9	–	90	25,4	1/4 – 28 UNF	–	40	63	25 500	15 300	10 700	
–	39	90	29,5	1/4 – 28 UNF	51	40	63	25 500	15 300	10 700	
49,2	–	100	30,2	1/4 – 28 UNF	–	40	80	32 500	19 800	11 200	
–	43,8	100	32,8	1/4 – 28 UNF	58	40	80	32 500	19 800	11 200	
49,2	–	110	30,2	1/4 – 28 UNF	–	50	85	32 500	20 400	11 800	
–	43,8	110	32,8	1/4 – 28 UNF	63	50	85	32 500	20 400	11 800	
51,6	–	110	32,6	1/4 – 28 UNF	–	50	85	35 000	23 200	12 200	
–	43,8	110	32,8	1/4 – 28 UNF	69	50	85	35 000	23 200	12 200	



Yoke type track rollers
Stud type track rollers

Yoke type track rollers Stud type track rollers

		Page
Product overview	Yoke type track rollers, stud type track rollers.....	82
Features	Yoke type track rollers	83
	Stud type track rollers.....	83
	Outside surface profile of the outer ring	83
	X-life	83
	Anti-corrosion protection	83
	Radial internal clearance	84
	Sealing and lubrication.....	84
	Operating temperature	84
	Suffixes.....	84
	Further information.....	84
Dimension tables	Yoke type track rollers, with Corrotect® coating, sealed.....	85
	Stud type track rollers, with Corrotect® coating, sealed	86



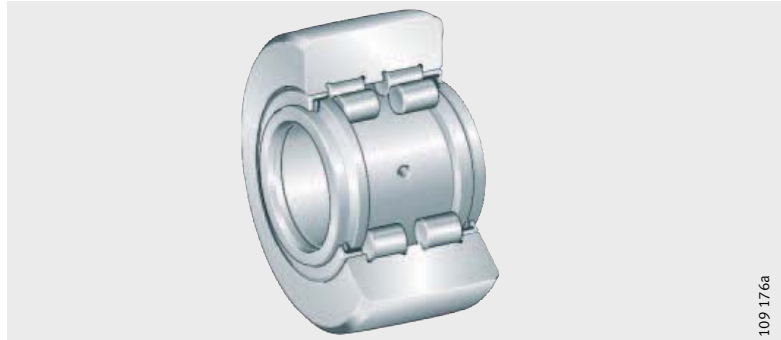
Product overview

Yoke type track rollers Stud type track rollers

Yoke type track rollers

Full complement
cylindrical roller set,
with central rib
Protected lip seals

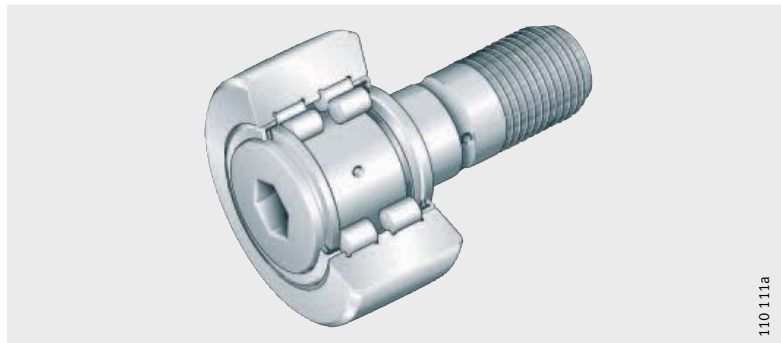
PWTR...-2RS-RR



Stud type track rollers

Full complement
cylindrical roller set,
with central rib
Protected lip seals

PWKR...-2RS-RR



Yoke type track rollers

Stud type track rollers

Features

Yoke type track rollers

Yoke type track rollers of series PWTR are double row units mounted on shafts or studs. They comprise thick-walled outer rings with a profiled outside surface and full complement cylindrical roller sets.

Bearings without a cage have the largest possible number of rolling elements and therefore have particularly high load carrying capacity. They can support high radial loads as well as axial loads arising from slight misalignment and skewed running; they are suitable for cam gears, bed ways, conveying equipment etc.

Stud type track rollers

Stud type track rollers PWKR comprise thick-walled outer rings with a profiled outside surface, solid section roller studs with a fixing thread, axial washers and full complement, double row cylindrical roller sets.

They can support high radial loads as well as axial loads arising from slight misalignment and skewed running.

Outside surface profile of the outer ring

In most cases, yoke and stud type track rollers with a crowned outside surface are used since they are often inclined in relation to the mating track and edge stresses must be avoided.

The series PWTR and PWKR have an outside surface with the optimised INA profile.



The new X-life yoke and stud type track rollers PWTR and PWKR have been improved in several respects and, as a result, give even higher performance.

Due to a modified material and the optimised raceway geometry of the outer rings, the basic rating life has been increased by up to 30%. The static and dynamic load carrying capacity has also been increased. At the same time, the stress placed on the mating track has been reduced as a result of the optimised outside surface profile and its improved outer ring surface quality.

This gives a highly robust bearing arrangement with an extended operating life.

Anti-corrosion protection

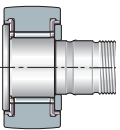
In principle, corrosion-resistant steels may be used for yoke and stud type track rollers. In many applications, however, the special coating Corrotect® is more cost-effective.

The coating is effective against moisture, contaminated water, salt spray and weakly alkaline and weakly acidic cleaning agents. For a description of the Corrotect® coating, see page 19.

Coated as standard

Yoke type track rollers PWTR..-RR and stud type track rollers PWKR..-RR are supplied as standard with the Cr(VI)-free Corrotect® coating. All other yoke and stud type track rollers with the Corrotect® coating are treated as special designs.

Figure 1 shows an uncoated stud type track roller after a salt spray test, *Figure 2* shows a coated stud type track roller after the test, page 84.



Yoke type track rollers Stud type track rollers

Fitting of coated track rollers

In order to reduce the press-in force required, the surface of the parts should be lightly greased – the tolerances are increased by the thickness of the coating.



Before fitting, the compatibility of track rollers with Corrotect® coating with the media concerned should always be checked.

Figure 1
NUKR52 without coating
after salt spray test



Figure 2
PWKR52-2RS-RR
with Corrotect® coating
after salt spray test



Radial internal clearance

The radial internal clearance corresponds approximately to class C2.

Sealing and lubrication

The series PWTR and PWKR are sealed on both sides by protected lip seals.

They are greased using a lithium complex soap grease to GA08 and can be lubricated via the roller stud.

For relubrication, Arcanol LOAD150 is suitable.

Operating temperature

The bearings are suitable for temperatures from -30 °C to $+120\text{ °C}$.

Suffixes

Suffixes for the available designs: see table.

Available designs

Suffix	Description
RR	Corrosion-resistant by means of special coating Corrotect®
2RS	Protected lip seals on both sides of the yoke type track roller

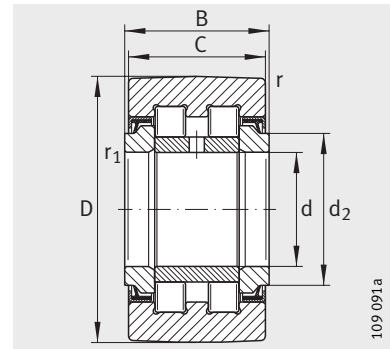
Further information



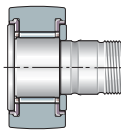
For information on the load carrying capacity and life, design of bearing arrangements, lubrication, fitting and operation of the bearings, attention must be paid to Catalogue HR 1, Rolling Bearings.

Yoke type track rollers

With Corrotect® coating
Sealed



PWTR..-2RS-RR
(optimised INA profile)



Dimension table · Dimensions in mm

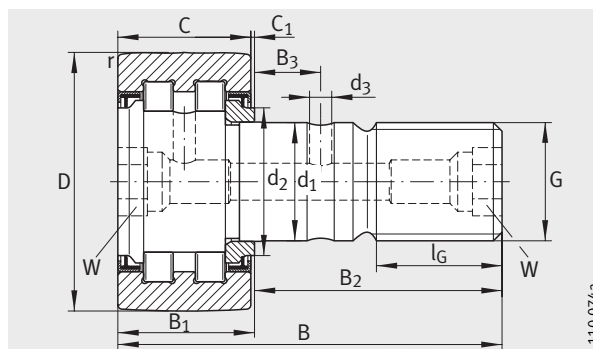
Designation	Mass m ≈g	Dimensions							Basic load ratings ¹⁾				Fatigue limit load C _{urw} N	Speed n _{DG} min ⁻¹
		D	d	B h12	C	d ₂	r min.	r ₁ min.	dyn. C _{rw} N	stat. C _{0rw} N	dyn. F _{r per} N	stat. F _{0r per} N		
PWTR15-2RS-RR	99	35	15	19	18	20	0,6	0,3	12 600	14 600	10 600	14 600	1 760	6 000
PWTR17-2RS-RR	147	40	17	21	20	22	1	0,5	14 300	18 000	16 400	18 000	2 160	5 000
PWTR1542-2RS-RR	158	42	15	19	18	20	0,6	0,3	14 700	16 200	16 200	16 200	2 140	6 000
PWTR1747-2RS-RR	220	47	17	21	20	22	1	0,5	15 900	18 400	18 400	18 400	2 440	5 000
PWTR20-2RS-RR	245	47	20	25	24	27	1	0,5	24 600	30 500	20 700	30 500	3 750	3 800
PWTR2052-2RS-RR	321	52	20	25	24	27	1	0,5	27 000	35 000	31 000	35 000	4 250	3 800
PWTR25-2RS-RR	281	52	25	25	24	31	1	0,5	25 500	33 000	21 800	33 000	4 100	3 800
PWTR2562-2RS-RR	450	62	25	25	24	31	1	0,5	30 000	42 500	42 500	42 500	5 200	3 800
PWTR30-2RS-RR	465	62	30	29	28	38	1	0,5	35 000	45 500	29 000	45 500	5 800	2 200
PWTR3072-2RS-RR	697	72	30	29	28	38	1	0,5	41 000	56 000	54 000	56 000	7 200	2 200
PWTR35-2RS-RR	630	72	35	29	28	44	1,1	0,6	38 500	54 000	39 000	54 000	7 000	1 800
PWTR3580-2RS-RR	836	80	35	29	28	44	1,1	0,6	43 500	64 000	59 000	64 000	8 100	1 800
PWTR40-2RS-RR	816	80	40	32	30	50,5	1,1	0,6	45 000	61 000	39 500	61 000	7 900	1 500
PWTR45-2RS-RR	883	85	45	32	30	55,2	1,1	0,6	45 500	63 000	41 000	63 000	8 200	1 300
PWTR4090-2RS-RR	1 129	90	40	32	30	50,5	1,1	0,6	52 000	75 000	67 000	75 000	9 700	1 500
PWTR50-2RS-RR	950	90	50	32	30	59,8	1,1	0,6	46 000	66 000	42 000	66 000	8 500	1 100
PWTR45100-2RS-RR	1 396	100	45	32	30	55,2	1,1	0,6	56 000	85 000	85 000	85 000	10 900	1 300
PWTR50110-2RS-RR	1 690	110	50	32	30	59,8	1,1	0,6	59 000	94 000	94 000	94 000	12 100	1 100

¹⁾ Values are only valid for bearings marked as X-life.

Stud type track rollers

With Corrotect® coating

Sealed



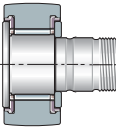
PWKR..-2RS-RR
(optimised INA profile)

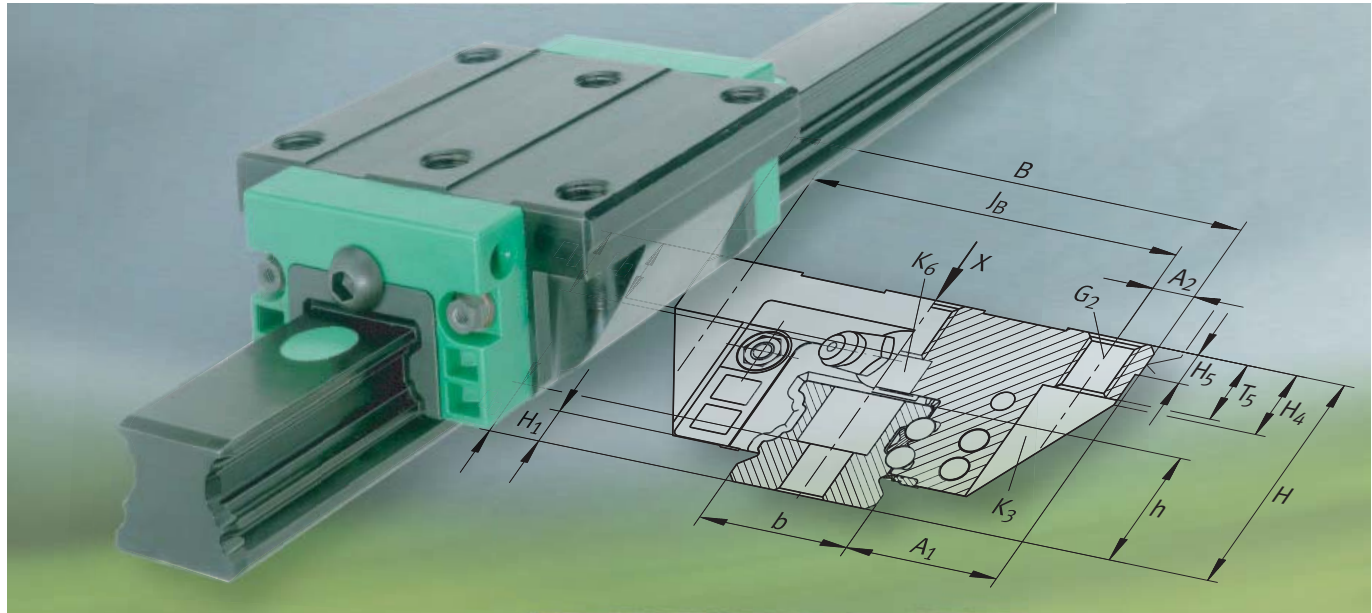
Dimension table · Dimensions in mm

Designation	x-life	Mass m ≈g	Dimensions										
			D	d ₁ h7	B	B ₁ max.	B ₂	B ₃	C	C ₁	r min.	d ₂	d ₃
PWKR35-2RS-RR	XL	164	35	16	52	19,6	32,5	7,8	18	0,8	0,6	20	3
PWKR40-2RS-RR	XL	242	40	18	58	21,6	36,5	8	20	0,8	1	22	3
PWKR47-2RS-RR	XL	380	47	20	66	25,6	40,5	9	24	0,8	1	27	4
PWKR52-2RS-RR	XL	450	52	20	66	25,6	40,5	9	24	0,8	1	31	4
PWKR62-2RS-RR	XL	795	62	24	80	30,6	49,5	11	28	1,3	1	38	4
PWKR72-2RS-RR	XL	1020	72	24	80	30,6	49,5	11	28	1,3	1,1	44	4
PWKR80-2RS-RR	XL	1600	80	30	100	37	63	15	35	1	1,1	47	4
PWKR90-2RS-RR	XL	1960	90	30	100	37	63	15	35	1	1,1	47	4

- 1) Drive fit lubrication nipples are supplied loose. Only these lubrication nipples should be used.
- 2) Nominal dimension for hexagonal socket.
- 3) Values are only valid for bearings marked as X-life.

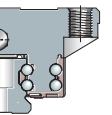
			Drive fit lubrication nipple ¹⁾	Nut tightening torque M_A Nm	Basic load ratings ³⁾				Fatigue limit load C_{urw} N	Speed n_{DG} min ⁻¹
G	l_G	$W^{2)}$			dyn. C_{rw} N	stat. C_{orw} N	dyn. F_{rper} N	stat. F_{orper} N		
M16X1,5	17	8	NIPA2X7,5	58	12 600	14 600	10 600	14 600	1 760	6 000
M18X1,5	19	8	NIPA2X7,5	87	14 300	18 000	16 400	18 000	2 160	5 000
M20X1,5	21	10	NIPA2X7,5	120	24 600	30 500	20 700	30 500	3 750	3 800
M20X1,5	21	10	NIPA2X7,5	120	25 500	33 000	21 800	33 000	4 100	3 800
M24X1,5	25	14	NIPA3X9,5	220	35 000	45 500	29 000	45 500	5 800	2 200
M24X1,5	25	14	NIPA3X9,5	220	38 500	54 000	39 000	54 000	7 000	2 200
M30X1,5	32	14	NIPA3X9,5	450	56 000	79 000	60 000	79 000	10 600	1 800
M30X1,5	32	14	NIPA3X9,5	450	62 000	92 000	92 000	92 000	12 300	1 800





Linear guidance systems

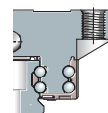
- Monorail guidance systems
- Track roller guidance systems
- Linear ball bearings and solid shafts
- Miniature guidance systems
- Driven linear units
- Screw drives



Linear guidance systems

	Page
Product overview	Monorail guidance systems..... 92
Features	Linear recirculating roller bearing and guideway assemblies 93
	Six-row linear recirculating ball bearing and guideway assemblies 93
	Four-row linear recirculating ball bearing and guideway assemblies 94
	Two-row linear recirculating ball bearing and guideway assemblies 94
	Two-row linear recirculating ball bearing units 95
	Anti-corrosion and anti-wear protection by coatings 95
	Further information 95
Product overview	Track roller guidance systems 96
Features	Carriages 97
	Composite guideways 97
	Profiled track rollers..... 97
	Anti-corrosion and anti-wear protection..... 97
	Further information 97
Product overview	Linear ball bearings and solid shafts 98
Features	Linear ball bearings 99
	Anti-corrosion and anti-wear protection..... 100
	Solid shafts 100
	Operating temperature..... 101
	Suffixes 101
	Further information 101
Dimension tables	Compact range, linear ball bearings, open or sealed, with anti-corrosion protection 102
	Light range, linear ball bearings, sealed, self-aligning 103
	Heavy duty range, linear ball bearings, gap seals or contact seals, self-aligning 104
	Machined range, linear ball bearings, sealed, with anti-corrosion protection 106
	Solid shafts 107

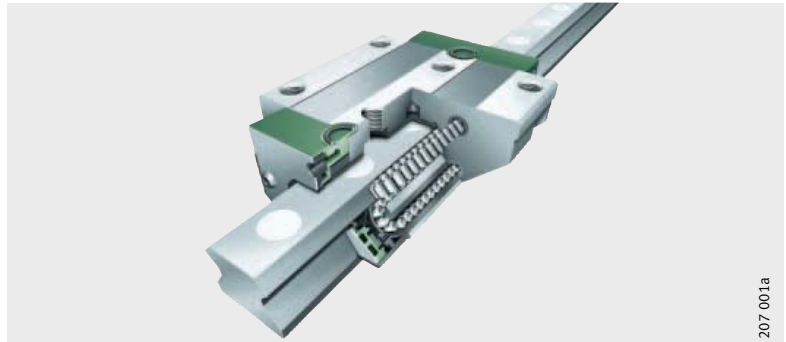
	Page
Product overview Miniature guidance systems	108
Features Miniature linear recirculating ball bearing and guideway assemblies.....	109
Further information.....	110
Miniature carriage units.....	110
Further information.....	111
Miniature linear guidance sets.....	111
Further information.....	111
Product overview Driven linear units	112
Features Support rails	113
Carriages.....	113
Return units.....	113
Further information.....	113
Product overview Screw drives.....	114
Features Design of screw drive.....	115



Product overview Monorail guidance systems

Linear recirculating roller bearing and guideway assemblies

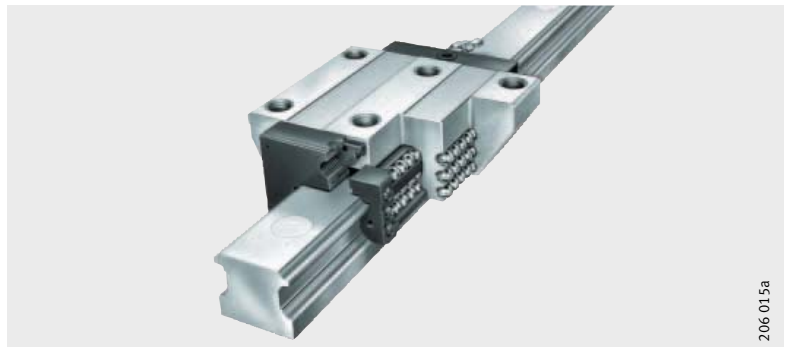
RUE..-E



207.001a

Six-row linear recirculating ball bearing and guideway assemblies

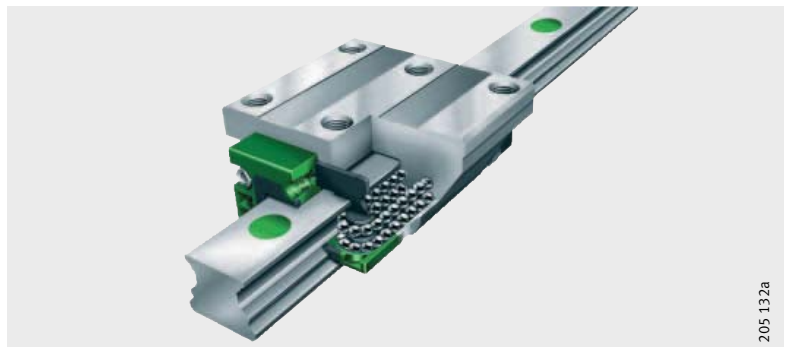
KUSE



206.015a

Four-row linear recirculating ball bearing and guideway assemblies

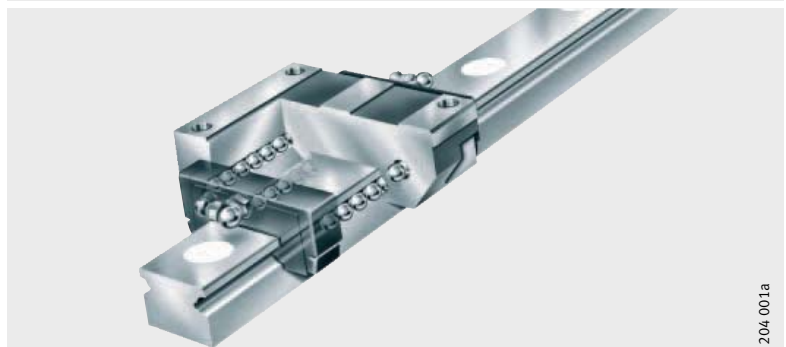
KUVE..-B



205.132a

Two-row linear recirculating ball bearing and guideway assemblies

KUE



204.001a

Monorail guidance systems

Features Monorail guidance systems are compact linear guidance systems based on rollers or balls with high rigidity and load carrying capacity. These guidance systems can support forces from all directions – apart from the direction of motion – and moments about all axes. They are available in various accuracy and preload classes and are therefore also suitable for applications with high guidance and positioning requirements.

In order to reduce the frequency and costs of maintenance, the monorail guidance systems have a lubricant reservoir. All-round sealing of the carriages protects the linear systems against contamination even under critical environmental conditions.

Linear recirculating roller bearing and guideway assemblies

Linear recirculating roller bearing and guideway assemblies RUE..-E are, due to the full complement cylindrical rollers, the INA monorail guidance systems with the highest load carrying capacity and rigidity. They comprise at least one carriage with a full complement roller system, a guideway, integral elastic wipers on the end faces of the carriage, sealing strips on the upper side and underside of the carriage and closing plugs to close off the fixing holes in the guideway.

Linear recirculating roller bearing and guideway assemblies are suitable for accelerations up to 100 m/s^2 , speeds up to 180 m/min and operating temperatures from $-10 \text{ }^\circ\text{C}$ to $+100 \text{ }^\circ\text{C}$.

Guidance systems with roller chain

In this case, the rolling elements are not in a full complement arrangement, but are guided instead by a rolling element chain. Solutions with a rolling element chain run with less noise than full complement guidance systems. Due to the rolling element chain, there are fewer load-bearing rolling elements in the load zone. Since the longer saddle plate variant is used in the chain version, however, the basic load ratings and rigidity values are similar to those of the full complement standard version.

Guidance systems with an integral rolling element chain are available in the series RUE..-E-KT-L and RUE..-E-KT-HL.

Six-row linear recirculating ball bearing and guideway assemblies

Six-row linear recirculating ball bearing and guideway assemblies KUSE are the guidance systems based on balls with the highest load carrying capacity and rigidity. They comprise at least one carriage with a full complement ball system, a guideway, integral elastic wipers on the end faces of the carriage, sealing strips on the underside of the carriage and plastic closing plugs.

Linear recirculating ball bearing and guideway assemblies KUSE are suitable for accelerations up to 150 m/s^2 , speeds up to 300 m/min and operating temperatures from $-10 \text{ }^\circ\text{C}$ to $+100 \text{ }^\circ\text{C}$. They are used in applications with long unrestricted strokes, high and very high loads and high to very high rigidity.

Monorail guidance systems

Four-row linear recirculating ball bearing and guideway assemblies

Four-row linear recirculating ball bearing and guideway assemblies KUV...-B are the most versatile and most extensively developed range of monorail guidance system from the Schaeffler Group, *Figure 1*. These units comprise at least one carriage with a full complement ball system, a guideway, integral elastic wipers on the end faces of the carriage, sealing strips on the upper side and underside of the carriage and plastic closing plugs.

Linear recirculating ball bearing and guideway assemblies KUV...-B are suitable for accelerations up to 150 m/s^2 , speeds up to 360 m/min and operating temperatures from $-10 \text{ }^\circ\text{C}$ to $+100 \text{ }^\circ\text{C}$.

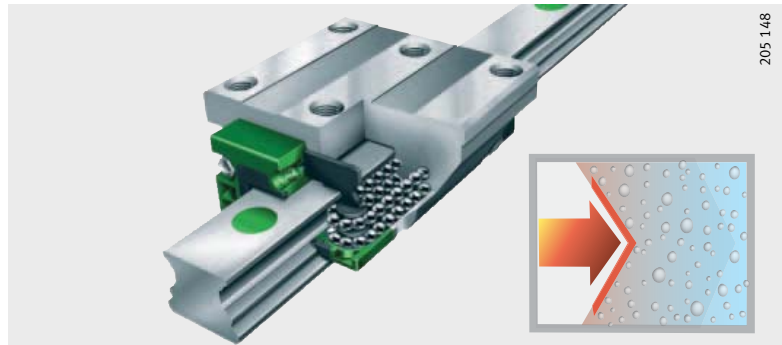


Figure 1
KUV...-B-RB,
corrosion-resistant steel

Low-noise guidance system by means of Quad-Spacers

Running noise in linear guidance systems can be reduced by various methods. Schaeffler decided in favour of plastic spacer elements – known as Quad-Spacers. Since the balls are not in contact with each other, there is no collision noise. This reduces the noise in the recirculation system and the guidance systems run significantly more quietly.

Under highly dynamic operating conditions or with ingress of contaminant particles into the guidance system, this design also averts the risk of fracture.

KUV...-B-KT is particularly suitable where the emphasis is on high dynamic characteristics and low noise.

Both new carriage versions can be used on the existing guideways.

Two-row linear recirculating ball bearing and guideway assemblies

Two-row linear recirculating ball bearing and guideway assemblies KUE are the economical alternative where guidance systems with moderate load capacity are required. The units comprise at least one carriage with a full complement ball system, a guideway, integral elastic wipers on the end faces of the carriage, sealing strips on the underside of the carriage and plastic closing plugs.

Linear recirculating ball bearing and guideway assemblies KUE are suitable for accelerations up to 150 m/s^2 , speeds up to 180 m/min and operating temperatures from $-10 \text{ }^\circ\text{C}$ to $+100 \text{ }^\circ\text{C}$. They are used for long unrestricted strokes, moderate loads, moderate rigidity and low friction.

Two-row linear recirculating ball bearing units

These full complement, ball-based linear guidance systems with high load carrying capacity comprise a guideway and one or more linear recirculating ball bearing units or carriages in which the linear recirculating ball bearing units KUVS are screw mounted, *Figure 2*.

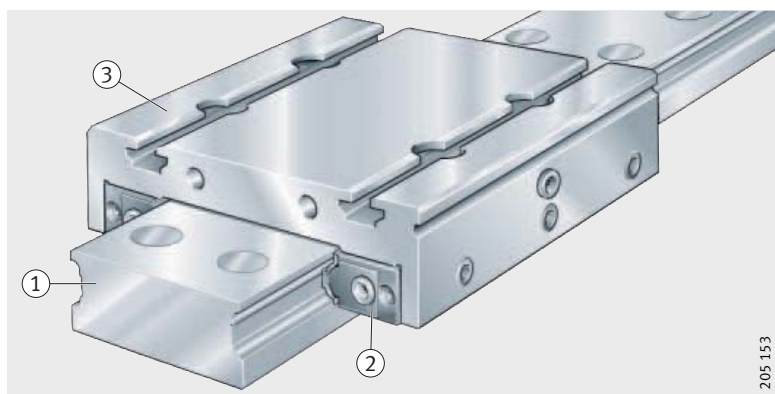
The guidance systems have adjustable clearance and allow large support distances.

The carriage has threaded through holes for fixing to the adjacent construction. The linear recirculating ball bearing units are sealed on all sides by the wipers on the end faces and the sealing strips which form a gap seal in conjunction with the guideway.

The carriage has a saddle plate made from anodised aluminium and accommodates two linear recirculating ball bearing units as standard. For simple fixing to the adjacent construction, T-slots are present that can be used with conventional hexagonal nuts and T-bolts.

- ① Guideway
- ② Linear recirculating ball bearing unit
- ③ Carriage

Figure 2
Linear guidance system with linear recirculating ball bearing units, carriage and guideway



Anti-corrosion and anti-wear protection by coatings

Coatings increase the corrosion resistance and/or wear resistance of the surface.

Components at risk of corrosion are protected by:

- the special coating Corrotect®
- the thin layer chromium coating Protect A (Durotect® CK)
- the thin layer chromium coating Protect B (Durotect® CK+).

For information on the coatings, see page 18.

Suffixes

Suffixes for the available designs: see table.

Available designs

Suffix	Description
RRF	Carriage and guideway with Corrotect® coating
RRFT	Guideway only with Corrotect® coating
KD ¹⁾	Protect A (Durotect® CK), high anti-wear protection, moderate anti-corrosion protection
KDC ¹⁾	Protect B (Durotect® CK+), high anti-wear and high anti-corrosion protection
RB ²⁾	Corrosion-resistant steel

1) Only for KUVS...-B and RUE...-E.

2) Only for KUVS...-B.

Further information

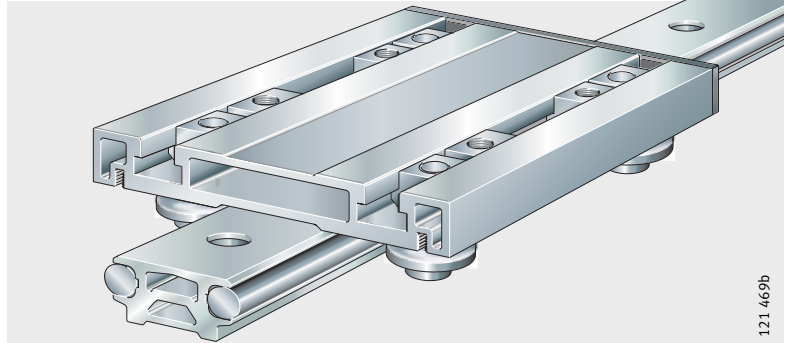


For information on the load carrying capacity and life, design of bearing arrangements, lubrication, fitting and operation of the guidance systems, attention must be paid to Publication PF 1.

Product overview Track roller guidance systems

With hollow section carriage
Clearance-free

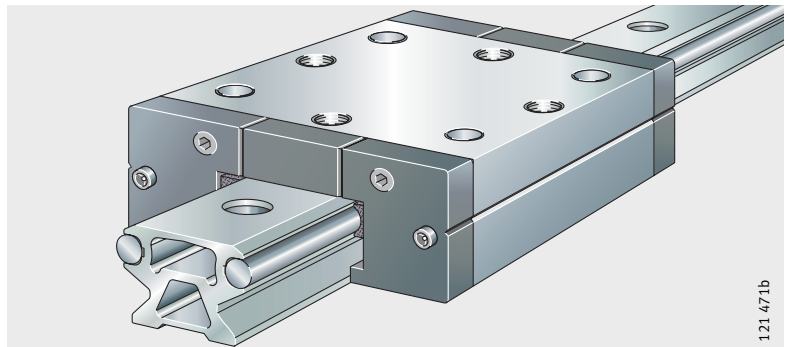
LFCL



121.469b

With compact carriage
Clearance-free

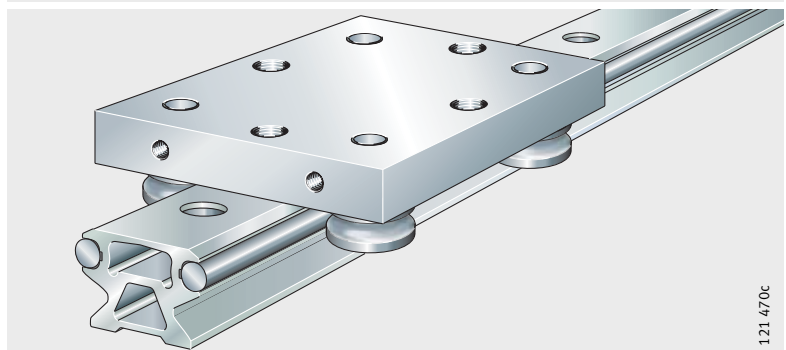
LFKL...SF



121.471b

With open carriage
Clearance-free

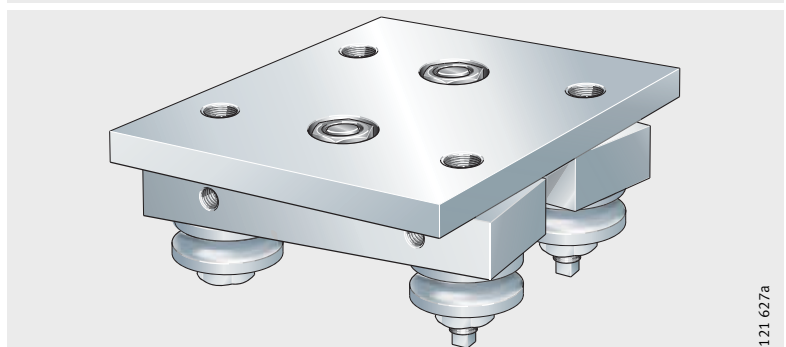
LFL...SF



121.470c

With bogie carriage
Adjustable clearance

LFDL...B



121.627a

Track roller guidance systems

Features Track roller guidance systems LF are preferably used, due to their lightweight construction, for tasks in handling systems, where quiet running, high speeds and long travel distances are required together with uniformly low displacement resistance.

In order to cover a wide spectrum of requirements using standard components, the guidance systems are structured according to a modular concept. On the basis of the carriages, composite guideway, track rollers as system elements and a precisely suitable range of accessories, designs exactly matched to the application can be achieved. Such guidance systems directly matched to the specific requirements give very successful support to the increasing demand for optimally configured individual components.

Carriages Carriages LF are supplied as:

- cost-effective, lightweight hollow section carriages
- robust, open carriages for high performance guidance systems of simple construction
- enclosed, compact carriages where guidance systems must operate in contaminated environments
- non-locating bearing carriages for locating and non-locating bearing applications with two guideway-based systems running in parallel
- bogie carriages for curved or closed oval or circular tracks.

Composite guideways Composite guideways are available as solid and hollow section guideways with a support rail having high bending rigidity, half guideways, curved elements and in a flat design.

Profiled track rollers Profiled track rollers without a filling slot are used for the guidance of carriages and support of forces. These double row angular contact ball bearings have an outer ring with a gothic arch raceway profile, are sealed on both sides and are greased for life. They can support axial loads from both sides and high radial forces due to the thick-walled outer ring.

Anti-corrosion and anti-wear protection Aluminium parts are anodised, shafts and track rollers are made from corrosion-resistant steel, material number 1.4125 and have the suffix VA.

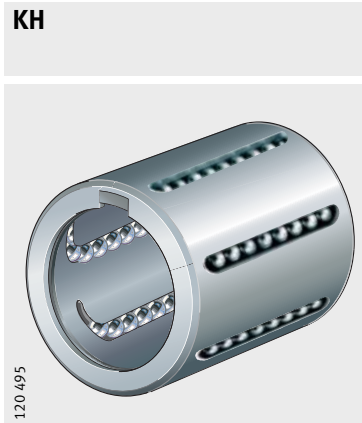
Further information



For information on the load carrying capacity and life, design of bearing arrangements, lubrication, fitting and operation of the guidance systems, attention must be paid to Catalogue LF 1, Track Roller Guidance Systems.

Product overview Linear ball bearings and solid shafts

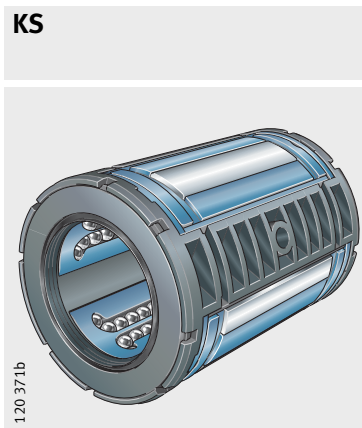
Compact range
Gap seals or lip seals on both sides



Light range
Lip seals on both sides



Heavy duty and machined range
Lip seals on both sides



Solid shafts
Corrosion-resistant



Linear ball bearings and solid shafts

Features

Linear ball bearings

Corrosion-resistant linear ball bearings are available in the compact and machined ranges. The series have an anti-corrosion coating, are of a closed construction and are designed for use on shafts. They can support high loads while having a relatively low mass and allow the construction of linear guidance systems with unlimited travel.

For simple mounting on the adjacent construction, the bearings are also supplied as complete linear bearing units. In this case the linear ball bearings are integrated in a high strength, rigid aluminium or pressure diecast housing.

Due to the comparatively low total mass, the units are particularly suitable for reduced mass designs with high loads and where higher accelerations and travel speeds are required. The holes in the housings allow simple screw mounting of the units to the adjacent construction.

Compact range

Linear ball bearings of the compact range have a small radial design envelope and are particularly economical. Their low section height automatically makes them attractive for applications in which only a small amount of radial space is available.

For economical surrounding constructions, the bearings are simply pressed into the locating bore. No additional axial location is required.

Light range

The linear ball bearings comprise a hardened and ground outer ring in which a plastic cage with inserted load plates is integrated. The plates are supported in the housing bore by means of a retaining ring. Due to the retaining ring, the plates can “rock” and thus compensate for static misalignments.

In the appropriate housing, the bearings have adjustable clearance. In order to compensate misalignments arising from manufacturing tolerances, mounting errors and shaft deflection, the linear bearings are self-aligning up to $\pm 30'$.

Their robust construction allows operation even under aggressive operating conditions.


Heavy duty range

These linear ball bearings comprise a plastic cage with loosely retained segments. The double row segments with crowned raceway plates can realign themselves in all directions and thus compensate misalignments. Since the complete segment undergoes realignment, there is no disruption to the recirculation of the balls. This results in uniformly low displacement resistance.

Linear ball bearings of the heavy duty range and the corresponding ball bearing units have particularly high load carrying capacity. They have very good running characteristics.

In the appropriate housing, the bearings have adjustable clearance. In order to compensate misalignments arising from manufacturing tolerances, mounting errors and shaft deflection, the linear bearings are self-aligning up to $\pm 40'$.

Linear ball bearings and solid shafts

Machined range	<p>Bearings of the machined range have high precision and particularly high rigidity. They have excellent running characteristics. The balls are guided with high precision throughout the return area by a special spring washer. As a result, the displacement resistance remains uniformly low even under difficult operating conditions and irrespective of the mounting position.</p> <p>For axial location of the bearings, retaining rings in accordance with DIN 471 are suitable.</p>
Sealing and lubrication	<p>Linear ball bearings are available in an open version and with contact seals on both sides (suffix PP).</p> <p>Due to the initial greasing with a high quality grease and the integral lubricant reservoir, the linear ball bearings are maintenance-free for many applications. If necessary, series KB..-PP-RR-AS can also be relubricated via openings in the outer ring or radial holes in the centre of the bearing.</p>
Anti-corrosion and anti-wear protection	<p>Linear ball bearings of the compact and machined ranges are supplied with Corrotect[®] coating. In the light and heavy duty ranges, the load plates can be supplied coated by agreement.</p> <p>By agreement, however, the linear ball bearings are also available with the anti-corrosion and anti-wear coating Protect A (Durotect[®] CK) or Protect B (Durotect[®] CK⁺). For a description of the coating, see page 18.</p>
Solid shafts	<p>Solid shafts are precision shafts made from corrosion-resistant steels and have metric dimensions. Suitable steels used include X46Cr13, material number 1.4034, or X90CrMoV18, material number 1.4112.</p> <p>The surface hardness is 550 HV + 70 HV (54 HRC + 4 HRC). For location, the shafts can be provided with radial and axial threaded holes or can by agreement be produced completely in accordance with a customer drawing.</p>
Suitable as precision raceway	<p>The material quality guarantees high dimensional and geometrical accuracy (roundness, parallelism). Due to their high surface hardness and surface quality, the shafts are highly suitable as precision raceways for linear ball bearings. They can be combined with linear bearings, yoke type, stud type and profiled track rollers to give linear guidance systems that are rigid, precise, economical and ready to fit, with high load carrying capacity and a long operating life.</p> <p> Due to the hardness curve, shafts made from the materials X46Cr13 and X90CrMoV18 have only limited corrosion resistance on the end faces. This also applies to any soft-annealed areas.</p>

Coatings for shafts

In addition to shafts made from corrosion-resistant steels, all precision shafts made from quenched and tempered steel can be supplied with hard chromium coating, Corrotect[®], Protect A and Protect B. Corrotect[®] provides a good level of anti-corrosion protection, Protect A (Durotect[®] CK) and Protect B (Durotect[®] CK+) provide high to very high levels of anti-corrosion and anti-wear protection.

Hard chromium coating is suitable for applications in which a high level of anti-wear protection is required. The chromium coating also offers good corrosion resistance. The thickness of the chromium coating is at least 5 µm, the hardness is 800 HV to 1050 HV. Chromium coated shafts are to tolerance h7.

For information on the coatings, see page 18.

Operating temperature

Linear ball bearings are suitable for operating temperatures from -30 °C to +80 °C.

Suffixes

Suffixes for the available designs: see table.

Available designs

Suffix	Description
AS	With relubrication facility
KD	Protect A, high wear protection and moderate anti-corrosion protection, by agreement
KDC	Protect B, high anti-corrosion and high anti-wear protection, by agreement
PP	Lip seals on both sides
RR	With Corrotect [®] coating
X46	Corrosion-resistant steel X46Cr13, material number 1.4034
X90	Corrosion-resistant steel X90CrMoV18, material number 1.4112

Further information

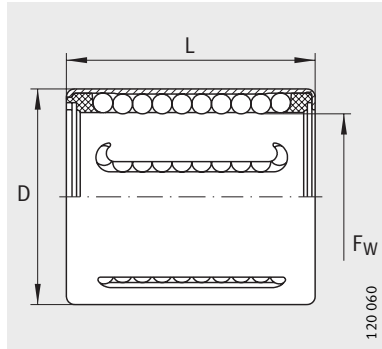


For information on the load carrying capacity and life, design of bearing arrangements, lubrication, fitting and operation of the bearings and shafts, attention must be paid to Catalogue WF 1, Shaft Guidance Systems.

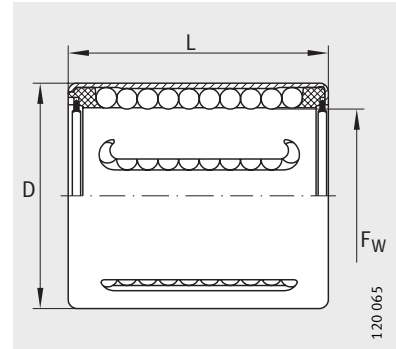
Compact range

Linear ball bearings

Open or sealed
With anti-corrosion protection



KH..-RR
Open



KH...-PP-RR
Sealed

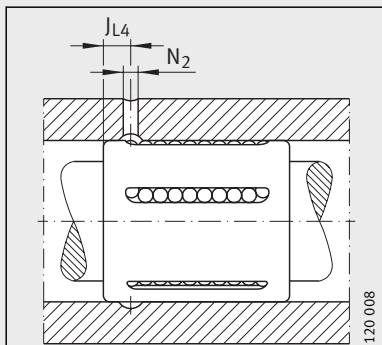
Dimension table · Dimensions in mm

Designation		Mass m ≈g	Dimensions					Basic load ratings ³⁾			
1)	2)		F _W	D	L	J _{L4}	N ₂	dyn. C _{min} N	stat. C _{0 min} N	dyn. C _{max} N	stat. C _{0 max} N
KH06-RR	KH06-PP-RR	7	6	12	22	4	2	340	240	390	340
KH08-RR	KH08-PP-RR	12	8	15	24	6	2	410	280	475	400
KH10-RR	KH10-PP-RR	14,5	10	17	26	6	2,5	510	370	590	520
KH12-RR	KH12-PP-RR	18,5	12	19	28	6	2,5	670	510	800	740
KH14-RR	KH14-PP-RR	20,5	14	21	28	6	2,5	690	520	830	760
KH16-RR	KH16-PP-RR	27,5	16	24	30	7	2,5	890	620	1060	910
KH20-RR	KH20-PP-RR	32,5	20	28	30	7	2,5	1 110	790	1 170	1 010
KH25-RR	KH25-PP-RR	66	25	35	40	8	2,5	2 280	1 670	2 420	2 130
KH30-RR	KH30-PP-RR	95	30	40	50	8	2,5	3 300	2 700	3 300	3 100
KH40-RR	KH40-PP-RR	182	40	52	60	9	2,5	5 300	4 450	5 300	4 950
KH50-RR	KH50-PP-RR	252	50	62	70	9	2,5	6 800	6 300	6 800	7 000

1) With preservative.

2) With initial greasing, sealed on both sides.

3) The basic load ratings are only valid for hardened (670 HV + 170 HV) and ground shaft raceways.

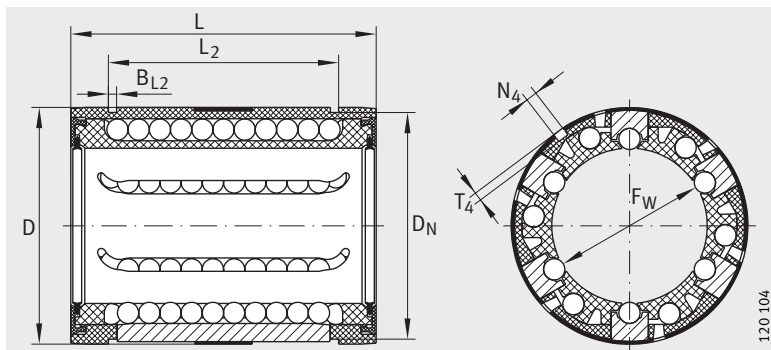


Light range

Linear ball bearings

Sealed

Self-aligning



KN..-B

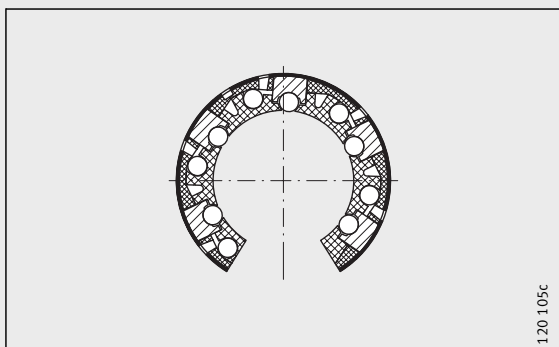
Dimension table · Dimensions in mm

Designation ³⁾	Mass m ≈g	Dimensions								Ball rows		Basic load ratings ¹⁾			
		FW	D	L	L ₂	BL ₂	DN	T ₄	N ₄ ²⁾	b _{1 max}	Quantity	dyn. C _{min} N	stat. C _{0 min} N	dyn. C _{max} N	stat. C _{0 max} N
KN16-B	30	16	26	36	24,6	1,3	25	0,7	3	1,5	5	870	620	1 040	910
KN20-B	60	20	32	45	31,2	1,6	30,7	0,9	3	2,5	6	1 730	1 230	1 830	1 570
KN25-B	130	25	40	58	43,7	1,85	38,5	1,4	3	2,5	6	3 100	2 220	3 250	2 850
KN30-B	190	30	47	68	51,7	1,85	44,7	2,2	3	2,5	6	3 750	2 850	3 950	3 650
KN40-B	350	40	62	80	60,3	2,15	59,4	2,2	3	3	6	6 300	4 350	6 700	5 600
KN50-B	670	50	75	100	77,3	2,65	71,4	2,3	3	3	6	9 300	6 500	9 800	8 300

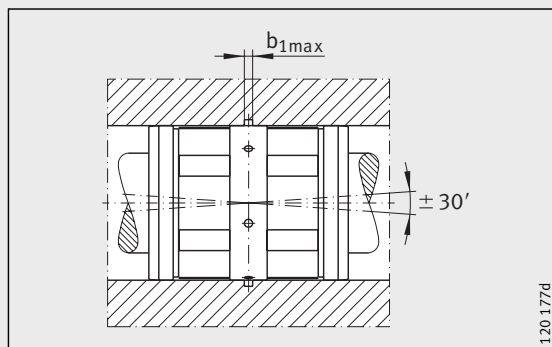
¹⁾ The basic load ratings are only valid for hardened (670 HV + 170 HV) and ground shaft raceways.

²⁾ Hole position symmetrical to bearing width C.

³⁾ Also available with segment cutout.



KNO..-B
With segment cutout³⁾



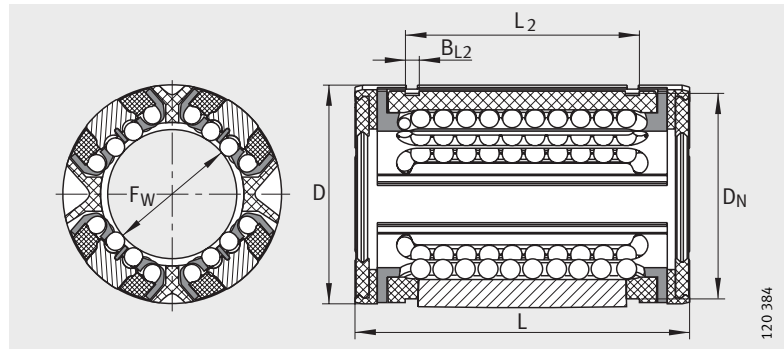
Self-aligning up to ±30'

Heavy duty range

Linear ball bearings

Gap seals or contact seals

Self-aligning



KS

Dimension table · Dimensions in mm

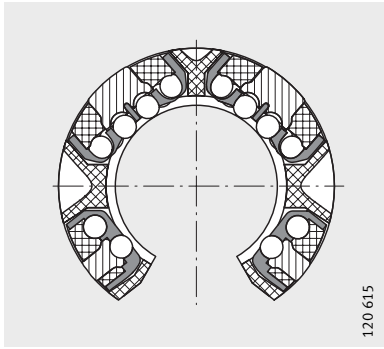
Designation ⁴⁾	Mass m ≈g	Dimensions					
		F _W	D	L	L ₂	B _{L2}	D _N
KS12	18	12	22	32	22,6	1,3	21
KS16	28	16	26	36	24,6	1,3	25
KS20	51	20	32	45	31,2	1,6	30,7
KS25	102	25	40	58	43,7	1,85	38
KS30	172	30	47	68	51,7	1,85	44,7
KS40	335	40	62	80	60,3	2,15	59,4
KS50	589	50	75	100	77,3	2,65	71,4

¹⁾ The basic load ratings are only valid for hardened (670 HV + 170 HV) and ground shaft raceways.

²⁾ Hole position symmetrical to bearing width L.

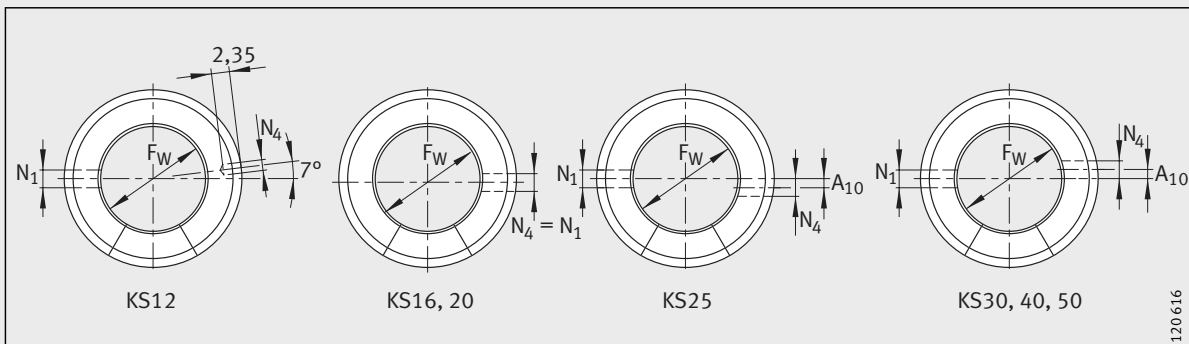
³⁾ Only one lubrication and fixing hole each in size 16 and 20.

⁴⁾ Also available with segment cutout.



KSO
With segment cutout⁴⁾

A ₁₀	N ₁ ²⁾	N ₄ ²⁾	Ball rows Quantity	Basic load ratings ¹⁾			
				dyn. C _{min} N	stat. C _{0 min} N	dyn. C _{max} N	stat. C _{0 max} N
–	–	3	8	630	600	900	1 100
–	3 ³⁾	3 ³⁾	8	1 060	950	1 430	1 550
–	3 ³⁾	3 ³⁾	8	1 780	1 600	2 200	2 310
1,5	3,5	3	8	2 700	2 430	3 950	4 300
2	3,5	3	8	4 650	3 970	5 900	6 000
1,5	3,5	3	8	8 800	7 200	10 200	9 600
2,5	4,5	5	8	12 300	9 700	15 100	13 900

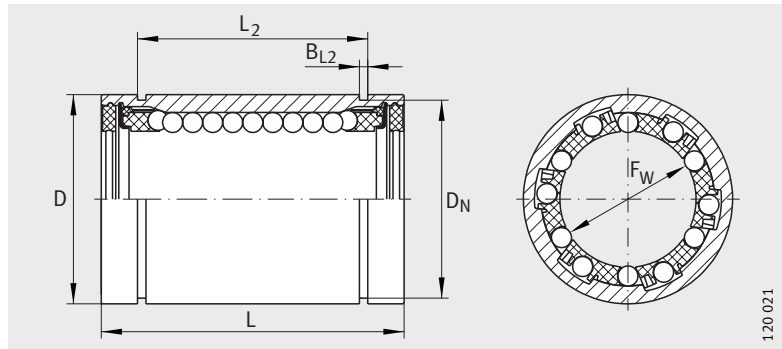


Machined range

Linear ball bearings

Sealed

With anti-corrosion protection



KB
Closed, sealed

Dimension table · Dimensions in mm

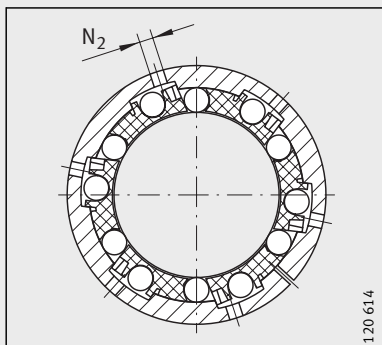
Designation ¹⁾⁴⁾	Mass m ≈g	Dimensions							Ball rows Quan- tity	Basic load ratings ³⁾			
		F _w	D	L	L ₂	B _{L2} ²⁾	D _N ²⁾	N ₂		dyn. C _{min} N	stat. C _{0 min} N	dyn. C _{max} N	stat. C _{0 max} N
KB12-PP-RR-AS	40	12 ^{+0,008} ₀	22	32	22,6	1,3	21	1,5	5	540	385	640	570
KB16-PP-RR-AS	50	16 ^{+0,009} _{-0,001}	26	36	24,6	1,3	24,9	2	5	710	530	840	780
KB20-PP-RR-AS	90	20 ^{+0,009} _{-0,001}	32	45	31,2	1,6	30,3	2	6	1 570	1 230	1 660	1 570
KB25-PP-RR-AS	190	25 ^{+0,011} _{-0,001}	40	58	43,7	1,85	37,5	2,5	6	2 800	2 220	2 950	2 850
KB30-PP-RR-AS	300	30 ^{+0,011} _{-0,001}	47	68	51,7	1,85	44,5	2,5	6	3 600	2 850	3 800	3 600
KB40-PP-RR-AS	600	40 ^{+0,013} _{-0,002}	62	80	60,3	2,15	59	3	6	6 000	4 400	6 400	5 600
KB50-PP-RR-AS	1 000	50 ^{+0,013} _{-0,002}	75	100	77,3	2,65	72	4	6	8 700	6 300	9 200	8 000

1) With initial greasing, sealed on both sides, with relubrication facility.

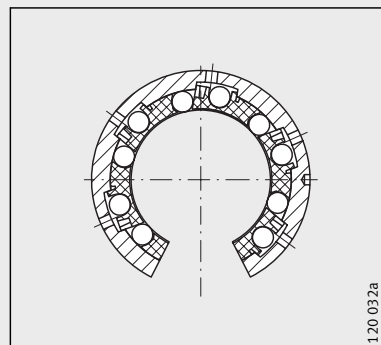
2) Slot dimensions suitable for retaining rings to DIN 471.

3) The basic load ratings are only valid for hardened (670 HV + 170 HV) and ground shaft raceways.

4) Also available in slotted design and with segment cutout.

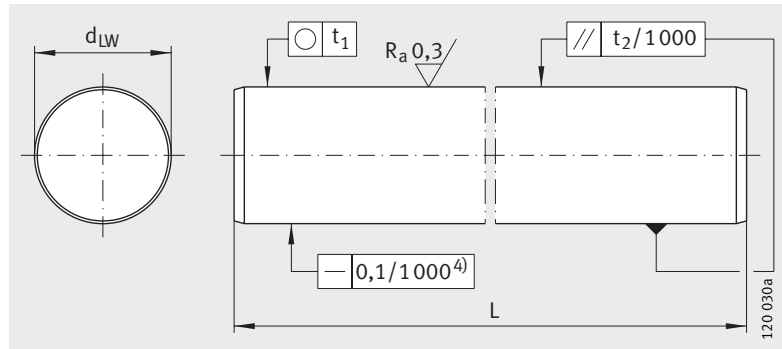


KBS
Slotted⁴⁾



KBO
With segment cutout⁴⁾

Solid shafts



W

Dimension table · Dimensions in mm									
Designation	Mass m ≈kg/m	Dimensions		Tolerance			Roundness t_1 μm	Parallelism $t_2^{2)}$ μm	Effective hardening depth Rht ³⁾ min.
		d_{LW}	L	h6 μm	Special tolerance ¹⁾				
					j5 μm	f7 μm			
W04	0,1	4	2 500	$\begin{smallmatrix} 0 \\ -8 \end{smallmatrix}$	—	—	4	5	0,4
W05	0,15	5	3 600	$\begin{smallmatrix} 0 \\ -8 \end{smallmatrix}$	—	—	4	5	0,4
W06	0,22	6	4 000	$\begin{smallmatrix} 0 \\ -8 \end{smallmatrix}$	—	—	4	5	0,4
W08	0,39	8	4 000	$\begin{smallmatrix} 0 \\ -9 \end{smallmatrix}$	—	—	4	6	0,4
W10	0,62	10	6 000	$\begin{smallmatrix} 0 \\ -9 \end{smallmatrix}$	—	—	4	6	0,4
W12	0,89	12	6 000	$\begin{smallmatrix} 0 \\ -11 \end{smallmatrix}$	—	—	5	8	0,6
W14	1,21	14	6 000	$\begin{smallmatrix} 0 \\ -11 \end{smallmatrix}$	—	—	5	8	0,6
W15	1,39	15	6 000	$\begin{smallmatrix} 0 \\ -11 \end{smallmatrix}$	—	$\begin{smallmatrix} -16 \\ -34 \end{smallmatrix}$	5	8	0,6
W16	1,58	16	6 000	$\begin{smallmatrix} 0 \\ -11 \end{smallmatrix}$	$\begin{smallmatrix} +5 \\ -3 \end{smallmatrix}$	$\begin{smallmatrix} -16 \\ -34 \end{smallmatrix}$	5	8	0,6
W18	2	18	6 000	$\begin{smallmatrix} 0 \\ -11 \end{smallmatrix}$	—	$\begin{smallmatrix} -16 \\ -34 \end{smallmatrix}$	5	8	0,6
W20	2,47	20	6 000	$\begin{smallmatrix} 0 \\ -13 \end{smallmatrix}$	$\begin{smallmatrix} +5 \\ -4 \end{smallmatrix}$	$\begin{smallmatrix} -20 \\ -41 \end{smallmatrix}$	6	9	0,9
W24	3,55	24	6 000	$\begin{smallmatrix} 0 \\ -13 \end{smallmatrix}$	—	—	6	9	0,9
W25	3,85	25	6 000	$\begin{smallmatrix} 0 \\ -13 \end{smallmatrix}$	$\begin{smallmatrix} +5 \\ -4 \end{smallmatrix}$	$\begin{smallmatrix} -20 \\ -41 \end{smallmatrix}$	6	9	0,9
W30	5,55	30	6 000	$\begin{smallmatrix} 0 \\ -13 \end{smallmatrix}$	$\begin{smallmatrix} +5 \\ -4 \end{smallmatrix}$	$\begin{smallmatrix} -20 \\ -41 \end{smallmatrix}$	6	9	0,9
W32	6,31	32	6 000	$\begin{smallmatrix} 0 \\ -16 \end{smallmatrix}$	+6,5	$\begin{smallmatrix} -25 \\ -50 \end{smallmatrix}$	7	11	1,5
W40	9,87	40	6 000	$\begin{smallmatrix} 0 \\ -16 \end{smallmatrix}$	$\begin{smallmatrix} +6 \\ -5 \end{smallmatrix}$	—	7	11	1,5
W50	15,41	50	6 000	$\begin{smallmatrix} 0 \\ -16 \end{smallmatrix}$	$\begin{smallmatrix} +6 \\ -5 \end{smallmatrix}$	—	7	11	1,5
W60	22,2	60	6 000	$\begin{smallmatrix} 0 \\ -19 \end{smallmatrix}$	—	—	8	13	2,2
W80	39,45	80	6 000	$\begin{smallmatrix} 0 \\ -19 \end{smallmatrix}$	—	—	8	13	2,2

1) Only for shafts made from quenched and tempered steel.

2) Differential diameter measurement.

3) To DIN ISO 13 012.

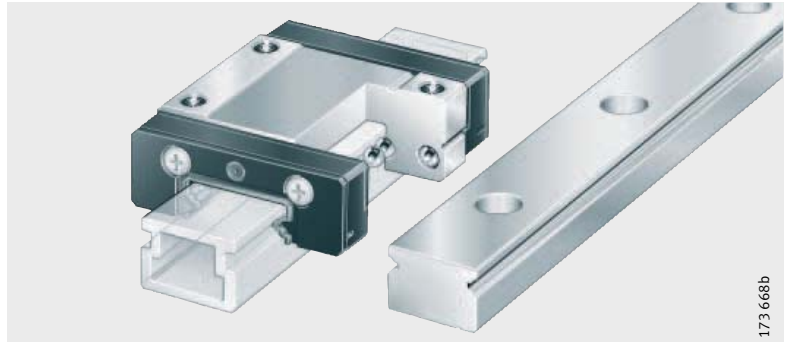
4) For shaft length < 400 mm max. straightness tolerance of 0,04 mm.

Product overview **Miniature guidance systems**

Miniature linear recirculating ball bearing and guideway assemblies

Two-row

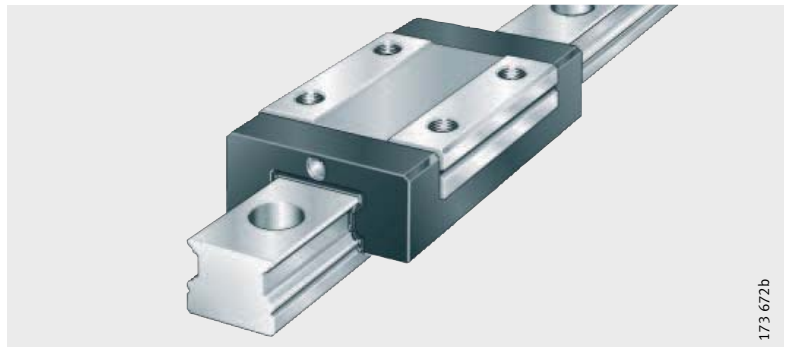
KWEM, TKDM



173 668b

Four-row

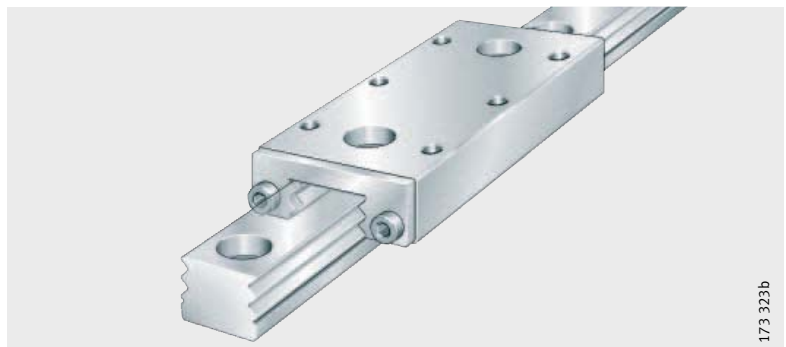
KUME..-C



173 672b

Miniature carriage units

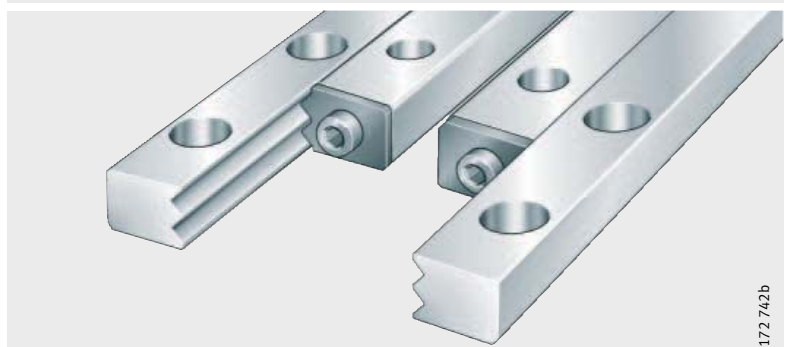
RMWE



173 323b

Miniature linear guidance sets

RWS



172 742b

Miniature guidance systems

Features

Miniature linear recirculating ball bearing and guideway assemblies

Miniature linear recirculating ball bearing and guideway assemblies are available in two-row and four-row designs. Due to the steels used for the saddle plates and guideways, the units are corrosion-resistant. If very high levels of corrosion resistance are required, the suitability of the bearings for the specific application must be investigated.

The linear guidance systems are preloaded and are used as linear locating bearings. They can support forces from all directions – apart from the direction of motion – and moments about all axes.

Two-row linear recirculating ball bearing and guideway assemblies

These units have moderate load carrying capacity and moderate to high moment load carrying capacity.

The saddle plates and guideways are corrosion-resistant. Seals on the end faces of the carriages protect the rolling element system against contamination. The carriages are greased and can be relubricated.

The units are suitable for accelerations up to 50 m/s² and speeds up to 180 m/min.

Two-row units are available in the accuracy classes G1 and G2.

Four-row linear recirculating ball bearing and guideway assemblies

Four-row miniature linear recirculating ball bearing and guideway assemblies are ready-to-fit guidance systems for unlimited stroke lengths. They have high load carrying capacity and rigidity. Due to the lubricant reservoir in the carriage, they are maintenance-free in many applications after initial greasing.

The units are suitable for accelerations up to 40 m/s² and speeds up to 180 m/min.

Four-row units are in the accuracy class G2.

Interchangeability

The guideways and carriages can be used in any combination within the same accuracy and interchangeability class. This simplifies the fitting of guidance systems, gives easier spare parts purchasing and allows very economical stockholding.

Preload

Miniature linear recirculating ball bearing and guideway assemblies are available in the preload classes according to the table. TKDM5 is only available in V0.

Preload

Preload class	Preload setting
V0	(Standard) zero to slight preload
V1	Preload

Miniature guidance systems

Sealing and lubrication Two-row units have seals on the end faces of the carriages to seal the rolling element system. In the four-row units, the rolling element system is sealed by means of gap seals on the end faces of the carriages.

The two-row design is greased, but it can also be supplied ungreased.
Four-row series are not greased.
Lubrication can be carried out using conventional pointed nozzles.

Operating temperature Two-row units can be used at temperatures from -40 °C to $+100\text{ °C}$, four-row units at temperatures from -40 °C to $+80\text{ °C}$.

Further information



For information on the load carrying capacity and life, design of bearing arrangements, lubrication, fitting and operation of the units, attention must be paid to Technical Product Information TPI 163, Miniature linear recirculating ball bearing and guideway assemblies.

Miniature carriage units

Miniature carriage units with cylindrical roller flat cages are corrosion-resistant, ready-to-fit cage guidance systems for limited stroke lengths. The saddle plates of the carriages, the guideways, the cage strip and the end pieces are made from corrosion-resistant steel. If very high levels of corrosion resistance are required, the suitability of the bearings for the specific application must be investigated.

The units are produced in numerous carriage and guideway lengths, giving highly cost-effective designs. They have a high load carrying capacity, high rigidity and high accuracy whilst requiring very little space. Due to their compact design, they can often be used to replace guidance systems which require significantly more space.

As linear locating bearings with at least one carriage, they can support forces from all directions – apart from the direction of motion – and moments about all axes. They have higher rigidity than recirculating ball guidance systems, are very smooth-running and have high running accuracy. The standard accuracy class is G2.

The carriage units are particularly suitable for short stroke lengths, oscillating and low-friction motion and for high loads where high rigidity is required.

Sealing In order to prevent damage to the guidance systems, the raceways must be kept clean at all times. If the end pieces used as standard are not adequate for this purpose, additional seals must be provided in the adjacent construction.

Preload Miniature carriage units are in preload class V1 in accordance with the table.

Preload class

Class	Preload	Application
V1	$0,005 \cdot C$ to $0,02 \cdot C$	Low to moderate loads; moderate to high rigidity; moment loads

Further information



For information on the load carrying capacity and life, design of bearing arrangements, lubrication, fitting and operation of the carriage units, attention must be paid to Technical Product Information TPI 160, Miniature carriage units.

Miniature linear guidance sets

Miniature linear guidance sets with cylindrical roller flat cages are corrosion-resistant locating bearings for limited stroke lengths and are preloaded during fitting.

They can support forces from all directions – apart from the direction of motion – and moments about all axes and have higher load carrying capacity and rigidity than recirculating systems. The standard accuracy is G1.

Due to their design, they are particularly suitable for short stroke lengths, low-friction and oscillating motion and for high loads where very high rigidity is required, as well as requiring very little space.

The units are produced in numerous standard lengths, giving especially cost-effective designs. Since the spacing between support points can be varied by design, they can be easily matched to predetermined adjacent constructions. The guidance systems can be located through the adjacent construction or through the guideways.

Sealing

In order to prevent damage to the guidance systems, the raceways must be kept clean at all times. If the end pieces used as standard are not adequate for this purpose, additional seals must be provided in the adjacent construction.

Preload

The guidance systems must be preloaded in accordance with the table.

Preload class

Class	Preload	Application
V1	0,005 · C to 0,02 · C	Low to moderate loads; moderate to high rigidity; moment loads

Further information



For information on the load carrying capacity and life, design of bearing arrangements, lubrication, fitting and operation of the sets, attention must be paid to Technical Product Information TPI 162, Miniature linear guidance sets.

Product overview Driven linear units

Driven linear units

With four-row linear recirculating ball guidance systems KUVE and triple toothed belt drive

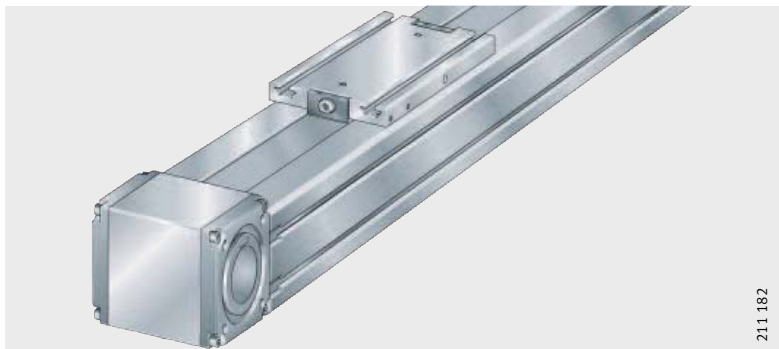
MDKUBE...-3ZR-VA



211.183

With six-row linear recirculating ball guidance systems KUSE and toothed belt drive

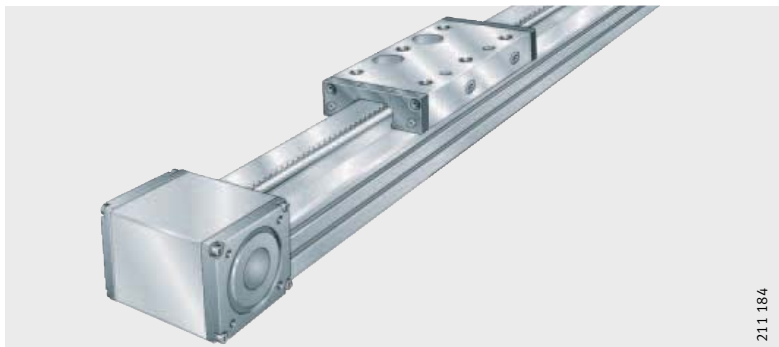
MKUSE...-ZR-VA



211.182

With external track roller guidance system LF and toothed belt drive

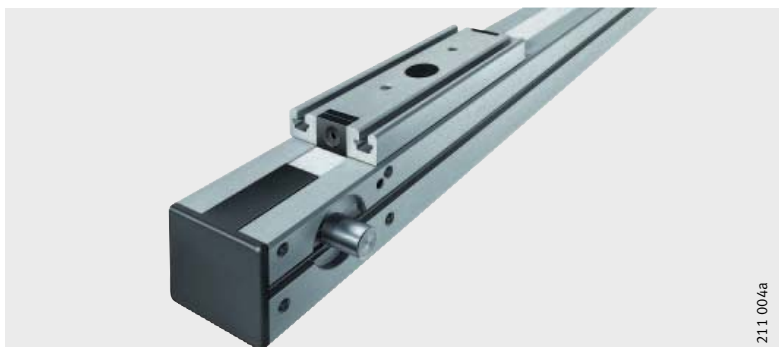
MLF...-VA



211.184

With internal track roller guidance system LF and toothed belt drive

MLFI...-VA



211.004a

Driven linear units

Features In automation and handling applications, the traverse and positioning systems must be capable of moving small and large masses over various stroke lengths quickly, reliably and to high accuracy. In order to fulfil these tasks, there are proven linear actuators with recirculating ball guidance systems or track roller guidance systems and toothed belt drive.

Linear actuators of a corrosion-resistant design comprise a support rail, guidance system, carriage, toothed belt drive, return units and bellows (in the case of recirculating ball guidance systems). With the exception of the rolling elements, all the steel parts are made from steel that is corrosion-resistant or protected against corrosion (suffix VA).

Support rail Support rails are composite rails with a carrier profile made from anodised aluminium. In the case of recirculating ball guidance systems, the linear recirculating ball bearing and guideway assemblies KUVe and KUSE run on guideways.

In the case of track roller guidance systems, hardened and ground shafts are incorporated in the guideway for the track rollers LF.

Carriages The saddle plate of the carriages is an anodised aluminium plate. This is guided clearance-free by the recirculating ball guidance systems or adjustable track rollers. There are integral clamping devices for the toothed belt in both sides of the carriage.

Carriages of different lengths are available to support higher moment loads.

The carriage is driven by maintenance-free toothed belts.

In the case of the track roller guidance systems, the carriage is protected by lubrication and wiper units. The raceways on the support rails can be relubricated through lubrication nipples arranged on the end faces of the carriage.

For location on the adjacent construction, the carriages have threaded holes or T-slots.

Return units The return units comprise an anodised profiled aluminium housing, two covers and a shaft unit.

The shafts are supported by tapered roller bearings arranged on both sides. The bearings are lubricated for life.

The toothed belt recirculates about a gear set mounted on the shaft.

Further information



For information on the load carrying capacity and life, design of bearing arrangements, lubrication, fitting and operation of the linear actuators, attention must be paid to Catalogue AL 1 (ALE), Driven Linear Units.

Product overview Screw drives

Screw drives
With single nut

KGT..-VA



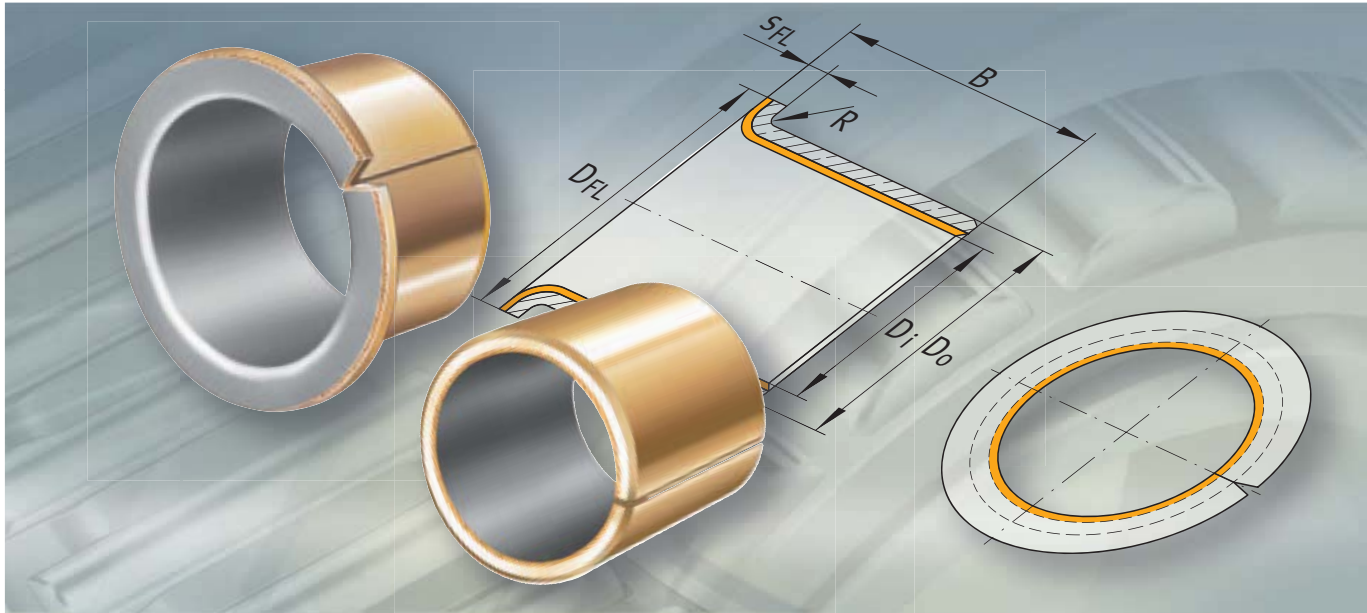
With double nut

KGT..-VA



Screw drive

Features	Ball screw drives convert rotary motion into linear motion and vice versa.
Design of screw drive	A ball screw drive comprises a spindle, spindle nut with a ball return system and balls. Due to the balls rolling between the spindle shaft and the nut, they achieve an efficiency of up to 90% compared to trapezoidal lead screw drives.
Spindle	The ball raceways on the spindle are induction hardened; the effective hardening depth is dependent on the pitch and ball size.
Nut	Nuts with axial clearance can be supplied premounted on the spindle or separately on sleeves. Nuts with slight or moderate preload are premounted on the spindles. The bearings for the locating and non-locating bearing sides can be supplied separately or premounted on machined spindle seats.
Anti-corrosion protection	Corrosion-resistant screw drives are available by agreement.



Maintenance-free Permagliding[®] plain bearings

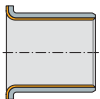
Bushes

Flanged bushes

Strips

Maintenance-free Permaglide[®] plain bearings

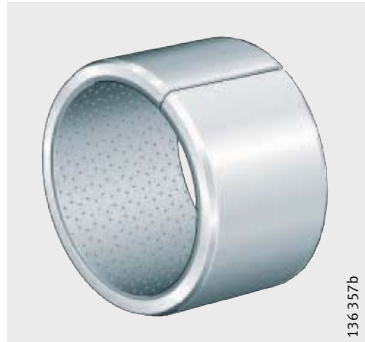
	Page
Product overview	Maintenance-free Permaglide [®] plain bearings 118
Features	Maintenance-free Permaglide [®] plain bearing material P11 and P143..... 119
	Further information..... 120
Dimension tables	Bushes, maintenance-free, with bronze backing..... 121
	Flanged bushes, maintenance-free, with bronze backing..... 123
	Strips, maintenance-free, with bronze backing..... 125



Product overview Maintenance-free Permaglide® plain bearings

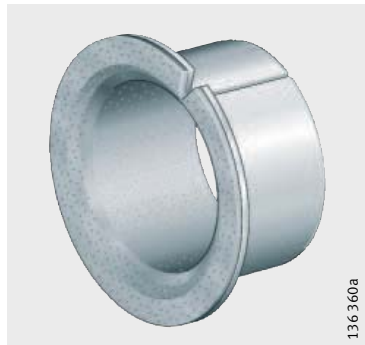
Bushes

PAP..-P11,
PAP..-P143



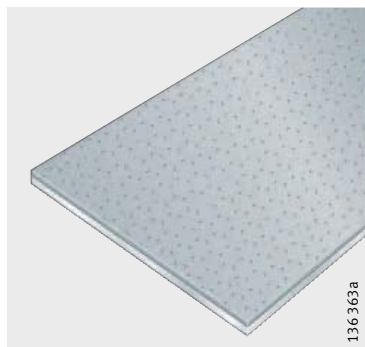
Flanged bushes

PAF..-P11,
PAF..-P143



Strips

PAS..-P11,
PAS..-P143



Maintenance-free Permaglide® plain bearings

Features

Permaglide® plain bearings are bearings for very small radial and axial design envelopes. These products are available as bushes, flanged bushes and strips made from maintenance-free Permaglide® P11 and P143.

Maintenance-free Permaglide® plain bearing material P11 and P143

In P11 and P143, the backing is made from bronze, *Figure 1*. Plain bearings made from this material have a high degree of corrosion resistance, have very good thermal conductivity, are antimagnetic and are suitable for dry running.

The low-wear material has good sliding characteristics, a low coefficient of friction and high resistance to chemicals. It does not absorb water (it is highly resistant to swelling), does not tend to weld to metal and is also suitable for hydrodynamic operation.

P11 and P143 can be used for rotary and oscillating motion as well as for short stroke linear motion.

P11 This material contains lead (Pb). Materials containing lead should not be allowed to come into contact with foodstuffs or pharmaceutical products.

P143 P143 is lead-free. In place of lead, zinc sulphide (ZnS) is used as a dry lubricant. Products in this variant are available by agreement.

- ① Running-in layer: polytetrafluoroethylene (PTFE), lead (Pb) or zinc sulphide (ZnS), 0,01 mm to 0,03 mm thick
- ② Sliding layer: porous bronze layer, filled with PTFE/Pb or PTFE/zinc sulphide (ZnS), 0,2 mm to 0,35 mm thick
- ③ Bronze backing

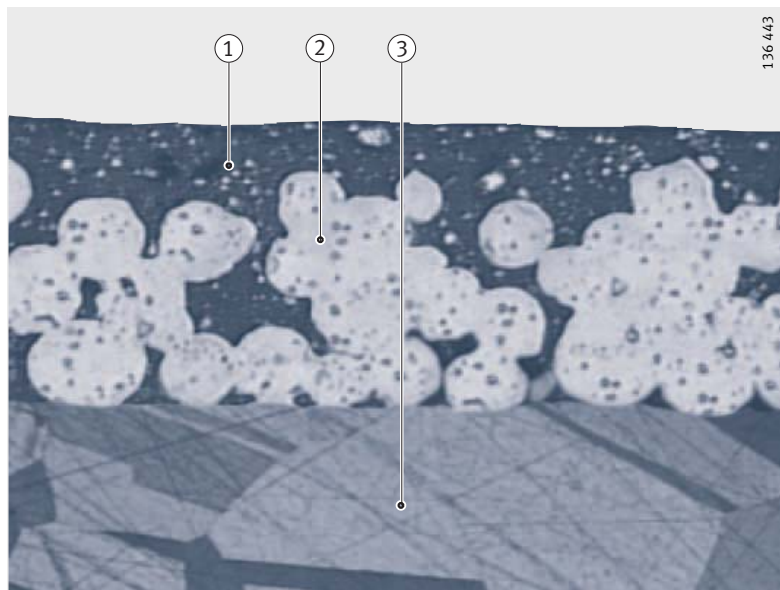
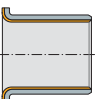


Figure 1
Permaglide® P11 and P143



Maintenance-free Permaglide[®] plain bearings

Technical data The important mechanical and physical characteristics of the maintenance-free P11 and P143 plain bearing materials are shown in the table.

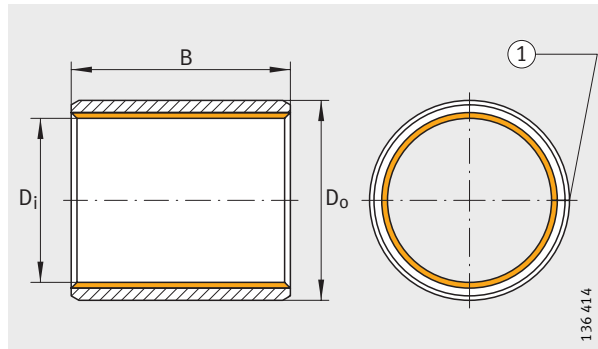
Data

Characteristics				
Maximum pv value for dry running	Continuous operation	pv	1,8	N/mm ² · m/s
	For short periods		3,6	N/mm ² · m/s
Permissible specific bearing load	Static	p _{max}	250	N/mm ²
	Very low sliding speed		140	N/mm ²
	Rotating, oscillating		56	N/mm ²
Permissible sliding speed	Dry running	v _{max}	2	m/s
	Hydrodynamic operation		>2	m/s
Permissible operating temperature	–	ϑ	–200 °C to +280 °C	
Coefficient of thermal expansion	Bronze backing	α _{Bz}	17 · 10 ⁻⁶	K ⁻¹
Coefficient of thermal conductivity	Bronze backing	λ _{Bz}	>70	W (m · K) ⁻¹
Relative electrical resistance after running-in		R _{rel min}	>1	Ω · cm ²

Further information The complete Permaglide[®] standard range is described in detail in Catalogue 706, Permaglide[®] plain bearings.

Bushes

Maintenance-free
Bronze backing



PAP..-P11, PAP..-P143

① Joint gap

Dimension table · Dimensions in mm				
Designation ¹⁾	Mass m ≈g	Dimensions		
		Di	Do	B ±0,25
PAP0406-P11	0,8	4	6	6
PAP0406-P143	0,8	4	6	6
PAP0505-P11	0,8	5	7	5
PAP0505-P143	0,8	5	7	5
PAP0606-P11	1,1	6	8	6
PAP0606-P143	1,1	6	8	6
PAP0610-P11	1,8	6	8	10
PAP0610-P143	1,8	6	8	10
PAP0808-P11	1,9	8	10	8
PAP0808-P143	1,9	8	10	8
PAP0810-P11	2,3	8	10	10
PAP0810-P143	2,3	8	10	10
PAP0812-P11	2,8	8	10	12
PAP0812-P143	2,8	8	10	12
PAP1005-P11	1,4	10	12	5
PAP1005-P143	1,4	10	12	5
PAP1010-P11	2,8	10	12	10
PAP1010-P143	2,8	10	12	10
PAP1015-P11	4,2	10	12	15
PAP1015-P143	4,2	10	12	15
PAP1020-P11	5,7	10	12	20
PAP1020-P143	5,7	10	12	20

Dimension table (continued) · Dimensions in mm				
Designation ¹⁾	Mass m ≈g	Dimensions		
		Di	Do	B ±0,25
PAP1210-P11	3,3	12	14	10
PAP1210-P143	3,3	12	14	10
PAP1212-P11	4	12	14	12
PAP1212-P143	4	12	14	12
PAP1215-P11	5,1	12	14	15
PAP1215-P143	5,1	12	14	15
PAP1220-P11	6,7	12	14	20
PAP1220-P143	6,7	12	14	20
PAP1225-P11	8,4	12	14	25
PAP1225-P143	8,4	12	14	25
PAP1415-P11	5,8	14	16	15
PAP1415-P143	5,8	14	16	15
PAP1515-P11	6,2	15	17	15
PAP1515-P143	6,2	15	17	15
PAP1525-P11	10,3	15	17	25
PAP1525-P143	10,3	15	17	25
PAP1615-P11	6,6	16	18	15
PAP1615-P143	6,6	16	18	15
PAP1625-P11	11	16	18	25
PAP1625-P143	11	16	18	25
PAP1815-P11	7,4	18	20	15
PAP1815-P143	7,4	18	20	15
PAP1825-P11	12,3	18	20	25
PAP1825-P143	12,3	18	20	25

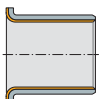
Recommended mounting tolerances:

Shaft $d_W < 80 \text{ mm} = f7$.

Shaft $d_W \geq 80 \text{ mm} = h8$.

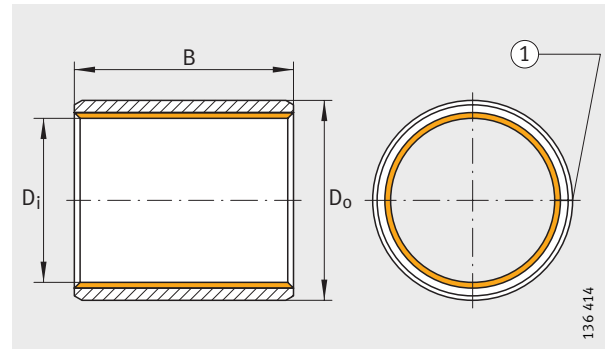
Housing bore = H7.

¹⁾ The P143 variant is supplied by agreement.



Bushes

Maintenance-free
Bronze backing



PAP..-P11, PAP..-P143
① Joint gap

Dimension table (continued) · Dimensions in mm				
Designation ¹⁾	Mass m ≈kg	Dimensions		
		Di	Do	B ±0,25
PAP2015-P11	12,8	20	23	15
PAP2015-P143	12,8	20	23	15
PAP2020-P11	17	20	23	20
PAP2020-P143	17	20	23	20
PAP2025-P11	21,3	20	23	25
PAP2025-P143	21,3	20	23	25
PAP2030-P11	25,5	20	23	30
PAP2030-P143	25,5	20	23	30
PAP2215-P11	14	22	25	15
PAP2215-P143	14	22	25	15
PAP2220-P11	18,6	22	25	20
PAP2220-P143	18,6	22	25	20
PAP2225-P11	23,3	22	25	25
PAP2225-P143	23,3	22	25	25
PAP2430-P11	30,3	24	27	30
PAP2430-P143	30,3	24	27	30
PAP2525-P11	26,2	25	28	25
PAP2525-P143	26,2	25	28	25
PAP2530-P11	31,5	25	28	30
PAP2530-P143	31,5	25	28	30
PAP2830-P11	47,9	28	32	30
PAP2830-P143	47,9	28	32	30
PAP3020-P11	34,1	30	34	20
PAP3020-P143	34,1	30	34	20
PAP3030-P11	51,1	30	34	30
PAP3030-P143	51,1	30	34	30
PAP3040-P11	68,2	30	34	40
PAP3040-P143	68,2	30	34	40
PAP3520-P11	39,4	35	39	20
PAP3520-P143	39,4	35	39	20
PAP3530-P11	59,1	35	39	30
PAP3530-P143	59,1	35	39	30
PAP4050-P11	112	40	44	50
PAP4050-P143	112	40	44	50
PAP4550-P11	159	45	50	50
PAP4550-P143	159	45	50	50

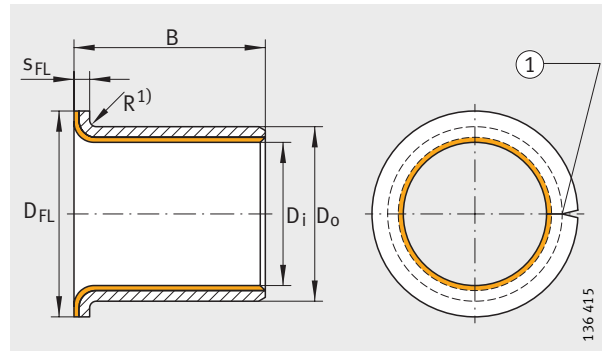
Dimension table (continued) · Dimensions in mm				
Designation ¹⁾	Mass m ≈kg	Dimensions		
		Di	Do	B ±0,25
PAP5030-P11	105	50	55	30
PAP5030-P143	105	50	55	30
PAP5040-P11	140	50	55	40
PAP5040-P143	140	50	55	40
PAP5060-P11	211	50	55	60
PAP5060-P143	211	50	55	60
PAP5540-P11	154	55	60	40
PAP5540-P143	154	55	60	40
PAP6040-P11	167	60	65	40
PAP6040-P143	167	60	65	40
PAP6050-P11	209	60	65	50
PAP6050-P143	209	60	65	50
PAP6060-P11	251	60	65	60
PAP6060-P143	251	60	65	60
PAP6070-P11	293	60	65	70
PAP6070-P143	293	60	65	70
PAP7050-P11	242	70	75	50
PAP7050-P143	242	70	75	50
PAP7070-P11	339	70	75	70
PAP7070-P143	339	70	75	70
PAP8060-P11	331	80	85	60
PAP8060-P143	331	80	85	60
PAP80100-P11	552	80	85	100
PAP80100-P143	552	80	85	100
PAP9060-P11	371	90	95	60
PAP9060-P143	371	90	95	60
PAP90100-P11	619	90	95	100
PAP90100-P143	619	90	95	100
PAP9560-P11	391	95	100	60
PAP9560-P143	391	95	100	60
PAP10060-P11	411	100	105	60
PAP10060-P143	411	100	105	60
PAP100115-P11	788	100	105	115
PAP100115-P143	788	100	105	115

Recommended mounting tolerances:
Shaft $d_w < 80 \text{ mm} = f7$.
Shaft $d_w \geq 80 \text{ mm} = h8$.
Housing bore = H7.

¹⁾ The P143 variant is supplied by agreement.

Flanged bushes

Maintenance-free
Bronze backing



PAF..-P11, PAF..-P143

① Joint gap

Dimension table · Dimensions in mm						
Designation ²⁾	Mass m ≈g	Dimensions				
		D _i	D _o	D _{FL} ±0,5	B ±0,25	S _{FL} -0,2
PAF06080-P11	1,8	6	8	12	8	1
PAF06080-P143	1,8	6	8	12	8	1
PAF08055-P11	1,8	8	10	15	5,5	1
PAF08055-P143	1,8	8	10	15	5,5	1
PAF08095-P11	2,7	8	10	15	9,5	1
PAF08095-P143	2,7	8	10	15	9,5	1
PAF10070-P11	2,7	10	12	18	7	1
PAF10070-P143	2,7	10	12	18	7	1
PAF10120-P11	4,1	10	12	18	12	1
PAF10120-P143	4,1	10	12	18	12	1
PAF10170-P11	5,5	10	12	18	17	1
PAF10170-P143	5,5	10	12	18	17	1
PAF12070-P11	3,2	12	14	20	7	1
PAF12070-P143	3,2	12	14	20	7	1
PAF12090-P11	3,9	12	14	20	9	1
PAF12090-P143	3,9	12	14	20	9	1
PAF12120-P11	4,9	12	14	20	12	1
PAF12120-P143	4,9	12	14	20	12	1

Recommended mounting tolerances:

Shaft = f7.

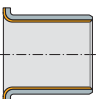
Housing bore = H7.

1) Inside diameter and radius:

For $D_i \leq 8$, $R1 = -0,5$.

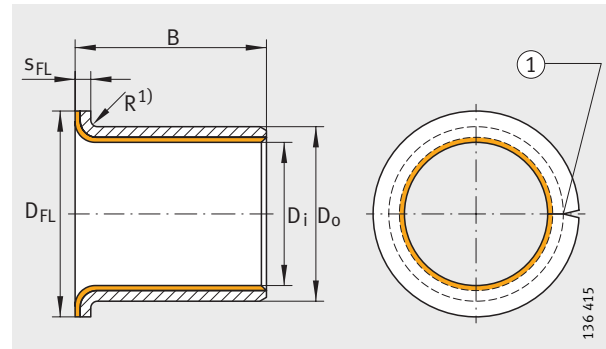
For $D_i > 8$, $R1 = \pm 0,5$.

2) The P143 variant is supplied by agreement.



Flanged bushes

Maintenance-free
Bronze backing



PAF..-P11, PAF..-P143
① Joint gap

Dimension table (continued) · Dimensions in mm

Designation ²⁾	Mass m ≈g	Dimensions				
		D _i	D _o	D _{FL} ±0,5	B ±0,25	S _{FL} -0,2
PAF15120-P11	6	15	17	23	12	1
PAF15120-P143	6	15	17	23	12	1
PAF15170-P11	8	15	17	23	17	1
PAF15170-P143	8	15	17	23	17	1
PAF16120-P11	6,3	16	18	24	12	1
PAF16120-P143	6,3	16	18	24	12	1
PAF18100-P11	6,1	18	20	26	10	1
PAF18100-P143	6,1	18	20	26	10	1
PAF18220-P11	11,8	18	20	26	22	1
PAF18220-P143	11,8	18	20	26	22	1
PAF20115-P11	12,4	20	23	30	11,5	1,5
PAF20115-P143	12,4	20	23	30	11,5	1,5
PAF20165-P11	16,6	20	23	30	16,5	1,5
PAF20165-P143	16,6	20	23	30	16,5	1,5
PAF25215-P11	25,5	25	28	35	21,5	1,5
PAF25215-P143	25,5	25	28	35	21,5	1,5
PAF30160-P11	33,5	30	34	42	16	2
PAF30160-P143	33,5	30	34	42	16	2
PAF30260-P11	50	30	34	42	26	2
PAF30260-P143	50	30	34	42	26	2
PAF35260-P11	58	35	39	47	26	2
PAF35260-P143	58	35	39	47	26	2
PAF40260-P11	67	40	44	53	26	2
PAF40260-P143	67	40	44	53	26	2

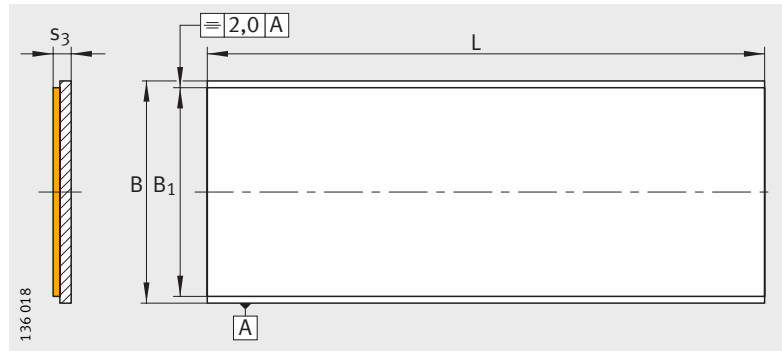
Recommended mounting tolerances:
Shaft = f7.
Housing bore = H7.

¹⁾ Inside diameter and radius:
For D_i ≤ 8, R1 = -0,5.
For D_i > 8, R1 = ±0,5.

²⁾ The P143 variant is supplied by agreement.

Strips

Maintenance-free
Bronze backing

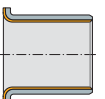


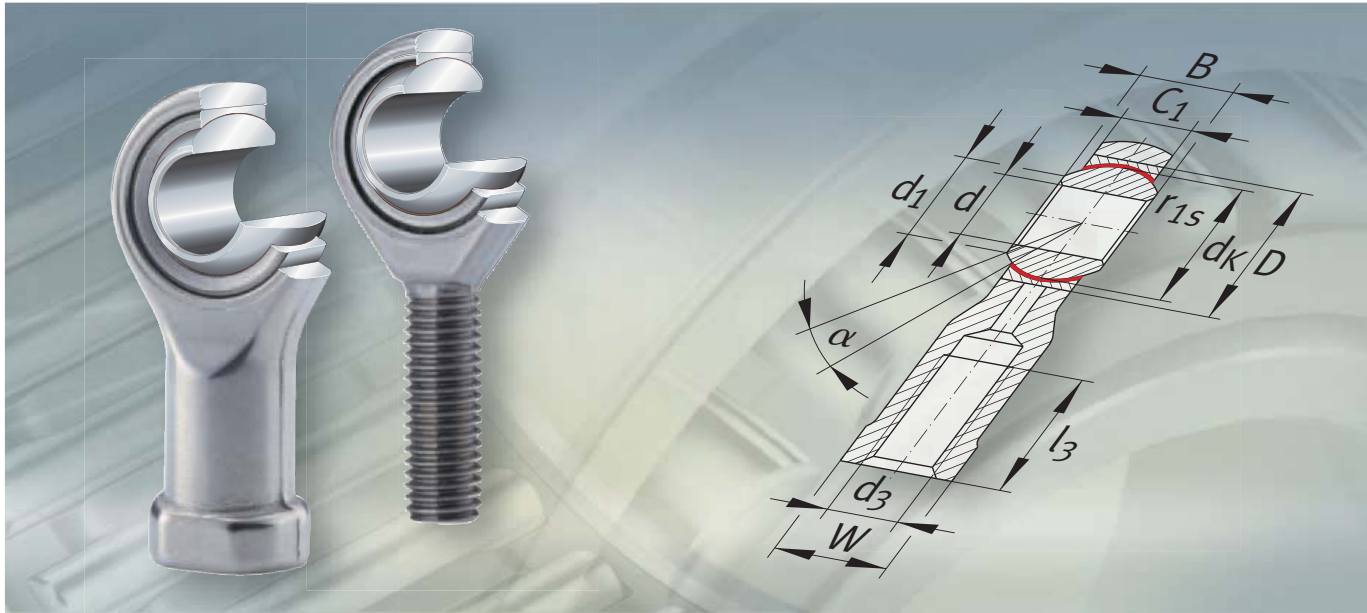
PAS..-P11, PAS..-P143

Dimension table · Dimensions in mm

Designation ¹⁾	Mass m ≈g	Dimensions			
		s_3 -0,04	B +1,5	B_1	L +3
PAS10160-P11	658	1	160	148	500
PAS10160-P143	658	1	160	148	500
PAS15180-P11	1 132	1,5	180	148	500
PAS15180-P143	1 132	1,5	180	148	500
PAS20180-P11	1 523	2	180	168	500
PAS20180-P143	1 523	2	180	168	500
PAS25180-P11	1 915	2,5	180	168	500
PAS25180-P143	1 915	2,5	180	168	500

¹⁾ The P143 variant is supplied by agreement.

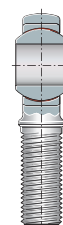




Maintenance-free ELGES rod ends

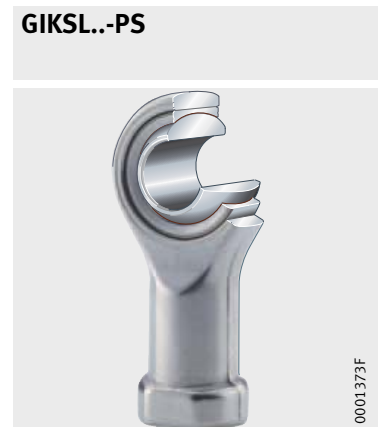
Maintenance-free ELGES rod ends

	Page
Product overview	Maintenance-free ELGES rod ends..... 128
Features	Corrosion resistance..... 129
	Applications..... 129
Design and safety guidelines	Load carrying capacity 130
	Rating life of the rod end..... 131
	Rating life of the spherical plain bearing 131
Accuracy 135
Dimension tables	Rod ends with internal thread 136
	Rod ends with external thread..... 138

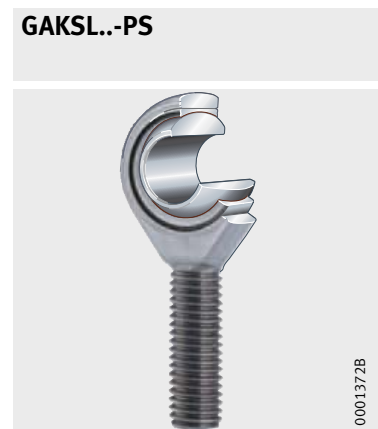


Product overview Maintenance-free ELGES rod ends

With internal thread
With right or left hand thread



With external thread
With right or left hand thread



Maintenance-free ELGES rod ends

Features

Maintenance-free rod ends made from alloy steel comprise a housing with integral shank and a maintenance-free spherical plain bearing, *Figure 1*. The housing and shank has a thread to DIN 13, the diameter range extends from 5 mm to 30 mm. The bore tolerance of the spherical plain bearings is H7.

The rod ends conform to DIN ISO 12 240-4, dimension series K and have a radial spherical plain bearing GE..-PS and a right or left hand internal or external thread. The sliding contact pair comprises corrosion-resistant steel and corrosion-resistant PTFE-bronze film fixed in the outer ring crowned surface. Due to this sliding contact pair, they are completely maintenance-free.

All rod ends with an internal thread are also available with CETOP mounting dimensions in accordance with ISO 8 139 for pneumatic cylinders.



Figure 1
Rod ends,
corrosion-resistant,
dimension series K

Corrosion resistance

The steels used as standard and proven in this situation are corrosion-resistant steels such as X105CrMo17 (material no. 1.4125) for the inner ring and X8CrNiS18-9 (material no. 1.4305) or alternatively X5CrNi18-10 (material no. 1.4301) for the outer ring and housing.

Applications

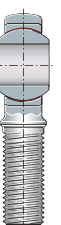
These materials have corrosion resistance corresponding to market requirements in many media.

The preferred areas of application include machinery for the food and drink industry, butchery machines, the chemical industry and medical equipment. The products have also proven effective in aircraft and ship building as well as for applications in buses and rail vehicles.

Rod ends with CETOP mounting dimensions are often used in control and automation engineering.

Temperature range

The rod ends can be used without restriction in the temperature range from $-10\text{ }^{\circ}\text{C}$ to $+80\text{ }^{\circ}\text{C}$. At operating temperatures above $+80\text{ }^{\circ}\text{C}$, the load carrying capacity and thus the operating life of the bearings is reduced.



Maintenance-free ELGES rod ends

Design and safety guidelines Load carrying capacity

The load carrying capacity is indicated by means of the basic dynamic load rating C_r and the basic static load rating C_{0r} .

Basic dynamic load rating

The basic dynamic load rating C_r refers to the spherical plain bearing fitted. It represents a factor used for calculating the bearing rating life.



The equivalent bearing load and additional bending stresses in the shank area are taken into consideration if, in addition to radial load in a tensile or compressive direction, other transverse forces act in an axial direction to the shank.

Basic static load rating

The basic static load rating C_{0r} of the rod end refers only to the load carrying capacity of the rod end housing.

It describes the maximum constant tensile load when utilising to the full the material yield strength in the most highly stressed cross-section.

Permissible loading of rod ends

The permissible load depends on the type of load. Pulsating or alternating loads subject the material of the rod ends to greater stress than constant loads. For calculation, these operating conditions must be taken into consideration by means of the load factor f_b , see table.

Load factor f_b

Type of load	Pulsating load	Load factor f_b
Unilateral load 	All series	1
Pulsating load 	GIKSR...PS GAKSR...PS GIKPSR...PS	2,25 3
Alternating load 		

Rating life of the rod end

Two calculations must always be carried out:

- the permissible load on the rod end
- the rating life of the spherical plain bearing.



The maximum equivalent bearing load P must not exceed the permissible load P_{per} on the rod end.

The following applies:

$$P_{per} \geq P$$

Loading of the rod end

$$P_{per} = \frac{C_{Or}}{f_b}$$

Rating life of the spherical plain bearing

The following example illustrates the rating life calculation of a maintenance-free spherical plain bearing incorporating the sliding material PTFE-bronze film.

Scope

- Radial spherical plain bearing $5 \text{ mm} \leq d \leq 30 \text{ mm}$
- Temperature range $-30 \text{ °C} \leq t \leq +200 \text{ °C}$
- Unilateral contact pressure:
 - Constant load $2 \text{ N/mm}^2 \leq p \leq 100 \text{ N/mm}^2$
 - Variable load $5 \text{ N/mm}^2 \leq p \leq 50 \text{ N/mm}^2$
- Sliding speed $1 \text{ mm/s} \leq v \leq 211 \text{ mm/s}$
- Bearing dry, without lubrication
- Sliding speed factor $f_v \geq 0,4$
If $f_v \leq 1$, good heat dissipation is required
- Load frequency $P_{Hz} \leq 5 \text{ Hz}$.



With an increase in bearing temperature of between $+80 \text{ °C}$ and $+200 \text{ °C}$, the operating life to be expected decreases in accordance with the temperature factors used in rating life calculation.

Failure criteria

Increase in radial internal clearance with:

- unilateral load direction, by $0,25 \text{ mm}$
- alternating load direction, by $0,5 \text{ mm}$
 - under an alternating load $p \geq 10 \text{ N/mm}^2$, the sliding material can undergo plastic deformation by approx. $0,1 \text{ mm}$ without wear.



Maintenance-free ELGES rod ends

Factors for rating life calculation

Symbol	Value
Specific load parameter K	$K = 100 \text{ N/mm}^2$
Temperature factor f_2	
$-50 \text{ °C} \leq t \leq +80 \text{ °C}$	$f_2 = 1$
$+80 \text{ °C} < t \leq +200 \text{ °C}$	$f_2 = 1,4 - 0,005 \cdot t$
Load type factor f_5	
Alternating load	$f_5 = 1$
Pulsating load	$f_5 = 1,4$
Sliding distance	
$65 \text{ N/mm}^2 < p \leq 100 \text{ N/mm}^2$	$s = \frac{42052415}{p^{1,75829}}$
$45 \text{ N/mm}^2 < p \leq 65 \text{ N/mm}^2$	$s = \frac{32897507}{p^{1,69947}}$
$25 \text{ N/mm}^2 < p \leq 45 \text{ N/mm}^2$	$s = \frac{24115273}{p^{1,61789}}$
$5 \text{ N/mm}^2 < p \leq 25 \text{ N/mm}^2$	$s = \frac{6837121}{p^{1,2263}}$
$2 \text{ N/mm}^2 < p \leq 5 \text{ N/mm}^2$	$s = \frac{3500000}{p^{0,81025}}$

Combined swivel and tilt motion

Swivel and tilt angle in simple motion:

- In swivel motion, the outer ring and inner ring move about the bearing axis, while in rotary motion the rating life must be calculated using $\beta = 180 \text{ °C}$.
- In tilt motion, the outer ring and inner ring move perpendicular to the bearing axis, the permissible tilt angle α is given in the dimension tables.

Combined swivel and tilt motion

Linear motion:

$$\beta_1 = \sqrt[3]{\beta^2 + (\alpha_1 + \alpha_2)^2}$$

Ellipsoid motion:

$$\beta_1 = \frac{\pi \cdot \beta \cdot (\alpha_1 + \alpha_2) + (\beta - \alpha_1 - \alpha_2)^2}{\beta + \alpha_1 + \alpha_2}$$

Constant load

For simple motion:

$$v = 2,91 \cdot 10^{-4} \cdot d_K \cdot \beta \cdot f$$

For combined motion:

$$v = 2,91 \cdot 10^{-4} \cdot d_K \cdot \beta_1 \cdot f$$

Calculation of theoretical rating life L and L_h under constant load:

$$p = K \cdot \frac{P}{C_r}$$

$$x = \frac{v \cdot 1,0305^p}{109,771}$$

$$f_v = \frac{2,1048}{2,255^x}$$

$$L = f_2 \cdot f_v \cdot \frac{s \cdot f}{v} \cdot 14$$

$$L_h = \frac{L}{f \cdot 60}$$

Variable load

For pulsating and oscillating load, the following applies:

$$f_{Hz} = 0,433 - \frac{P_{Hz} \cdot p^{1,6}}{790,5}$$

Calculation of theoretical rating life L_W and L_{hW} under variable load:

$$L_W = L \cdot f_{Hz} \cdot f_5$$

$$L_{hW} = \frac{L_W}{f \cdot 60}$$



Maintenance-free ELGES rod ends

Symbols, units and definitions

C_r	N
Basic dynamic load rating, radial	
C_{0r}	N
Basic static load rating of rod end, radial	
d_K	mm
Ball diameter	
f	min^{-1}
Oscillation frequency or speed	
f_b	–
Load factor	
f_v	–
Sliding speed factor for PTFE-bronze film	
f_{Hz}	–
Factor for variable load	
f_2	–
Temperature factor	
f_5	–
Load type factor for maintenance-free spherical plain bearings	
K	N/mm^2
Specific load parameter	
L	osc.
Theoretical rating life under constant load	
L_h	h
Theoretical rating life under constant load	
L_w	osc.
Theoretical rating life under variable load	
L_{hw}	h
Theoretical rating life under variable load	
p	N/mm^2
Contact pressure, specific bearing load	
P	N
Equivalent bearing load	
P_{per}	N
Permissible load on rod end	
P_{Hz}	Hz
Load frequency	
s	m
Sliding distance	
v	mm/s
Mean sliding speed	
α_1	°
Tilt angle – from centre to left	
α_2	°
Tilt angle – from centre to right	
β	°
Swivel or oscillation angle (between two extreme points).	

Further information



For information on the load carrying capacity and life, design of bearing arrangements, lubrication, fitting and operation of spherical plain bearings and rod ends, attention must be paid to Catalogue 238, Spherical Plain Bearings, Plain Bushes, Rod Ends.

Accuracy

The accuracy of metric ISO threads conforms to DIN 13.

Tolerances for the mounting bore should be selected according to the table.

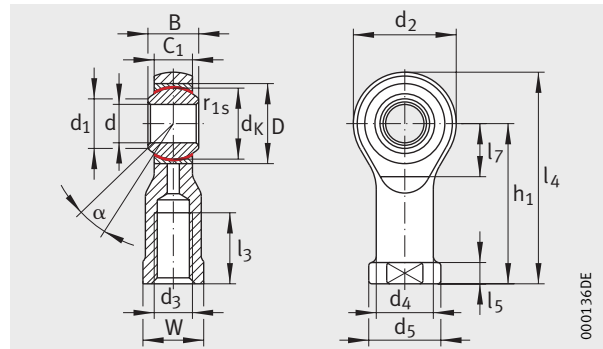
Shaft tolerance

Radial spherical plain bearing	Shaft tolerance (recommended)
GE..-PS	m6



Rod ends

With internal thread, maintenance-free
Dimension series K, type F



GIKSR..-PS, GIKPSR..-PS
Corrosion-resistant steel/PTFE-bronze film

Dimension table · Dimensions in mm

Designation ¹⁾	Mass m ≈kg	Dimensions									
		d ²⁾	D	B	d _K	d ₁	d ₂	d ₃	d ₄	h ₁	C ₁
GIKSR5-PS GIKPSR5-PS	0,017	5 ^{+0,012}	13	8	11,1	7,7	19	M5 M4	9	27	6
GIKSR6-PS	0,025	6 ^{+0,012}	16	9	12,7	8,9	21	M6	10	30	6,75
GIKSR8-PS	0,043	8 ^{+0,015}	19	12	15,8	10,3	25	M8	12,5	36	9
GIKSR10-PS GIKPSR10-PS	0,072	10 ^{+0,015}	22	14	19	12,9	29	M10 M10X1,25	15	43	10,5
GIKSR12-PS GIKPSR12-PS	0,107	12 ^{+0,018}	26	16	22,2	15,4	33	M12 M12X1,25	17,5	50	12
GIKSR14-PS	0,16	14 ^{+0,018}	28 ³⁾	19	25,4	16,8	37	M14	20	57	13,5
GIKSR16-PS GIKPSR16-PS	0,21	16 ^{+0,018}	32	21	28,5	19,3	43	M16 M16X1,5	22	64	15
GIKSR18-PS	0,295	18 ^{+0,018}	35	23	31,7	21,8	47	M18X1,5	25	71	16,5
GIKSR20-PS	0,38	20 ^{+0,021}	40	25	34,9	24,3	51	M20X1,5	27,5	77	18
GIKSR22-PS	0,49	22 ^{+0,021}	42	28	38,1	25,8	55	M22X1,5	30	84	20
GIKSR25-PS	0,65	25 ^{+0,021}	47	31	42,8	29,5	61	M24X2	33,5	94	22
GIKSR30-PS GIKPSR30-PS	1,15	30 ^{+0,021}	55	37	50,8	34,8	71	M30X2 M27X2	40	110	25

¹⁾ For a left hand thread, the R is replaced by an L, for example GIKSL.

²⁾ Bore tolerance H7 (arithmetic mean value).

³⁾ Variation from DIN ISO 12 240-4, dimension series K, type F.

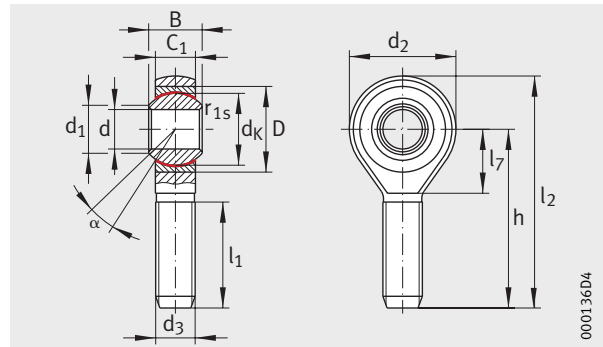
⁴⁾ Basic static load rating of rod end.

α °	l_3 min.	l_4	l_5 \approx	l_7 min.	d_5	W	Chamfer dimension	Basic load ratings		Radial internal clearance
							r_{1s} min.	dyn. C_r N	stat. $C_{0r}^{4)}$ N	
13	8	36,5	4	9	11	9	0,3	6 000	3 800	0,003 – 0,035
13	9	40,5	5	10	13	11	0,3	7 650	3 400	0,003 – 0,035
13	12	48,5	5	12	16	14	0,3	12 900	5 700	0,005 – 0,040
13	15	57,5	6,5	14	19	17	0,3	18 000	8 000	0,005 – 0,040
13	18	66,5	6,5	16	22	19	0,3	24 000	9 100	0,005 – 0,045
15	21	75,5	8	18	25	22	0,3	31 000	13 700	0,005 – 0,045
15	24	85,5	8	21	27	22	0,3	39 000	19 000	0,005 – 0,045
15	27	94,5	10	23	31	27	0,3	47 500	23 000	0,005 – 0,045
15	30	102,5	10	25	34	30	0,3	57 000	22 800	0,010 – 0,055
15	33	111,5	12	27	37	32	0,3	68 000	30 400	0,010 – 0,055
15	36	124,5	12	30	42	36	0,3	85 000	36 200	0,010 – 0,055
15	45	145,5	15	35	50	41	0,3	114 000	47 500	0,010 – 0,055



Rod ends

With external thread, maintenance-free
Dimension series K, type F



GAKSR..-PS
Corrosion-resistant steel/PTFE-bronze film

Dimension table · Dimensions in mm

Designation ¹⁾	Mass m ≈kg	Dimensions							
		d ²⁾	D	B	dk	d ₁	d ₂ max.	d ₃	h
GAKSR5-PS	0,01	5 ^{+0,012}	13	8	11,1	7,7	19	M5	33
GAKSR6-PS	0,02	6 ^{+0,012}	16	9	12,7	8,9	21	M6	36
GAKSR8-PS	0,03	8 ^{+0,015}	19	12	15,8	10,3	25	M8	42
GAKSR10-PS	0,05	10 ^{+0,015}	22	14	19	12,9	29	M10	48
GAKSR12-PS	0,09	12 ^{+0,018}	26	16	22,2	15,4	33	M12	54
GAKSR14-PS	0,13	14 ^{+0,018}	28 ³⁾	19	25,4	16,8	37	M14	60
GAKSR16-PS	0,19	16 ^{+0,018}	32	21	28,5	19,3	43	M16	66
GAKSR18-PS	0,26	18 ^{+0,018}	35	23	31,7	21,8	47	M18X1,5	72
GAKSR20-PS	0,34	20 ^{+0,021}	40	25	34,9	24,3	51	M20X1,5	78
GAKSR22-PS	0,44	22 ^{+0,021}	42	28	38,1	25,8	55	M22X1,5	84
GAKSR25-PS	0,59	25 ^{+0,021}	47	31	42,8	29,5	61	M24X2	94
GAKSR30-PS	1,06	30 ^{+0,021}	55	37	50,8	34,8	71	M30X2	110

¹⁾ For a left hand thread, the R is replaced by an L, for example GAKSL.

²⁾ Bore tolerance H7 (arithmetic mean value).

³⁾ Variation from DIN ISO 12 240-4, dimension series K, type F.

⁴⁾ Basic static load rating of rod end.

					Chamfer dimension r_{1s} min.	Basic load ratings		Radial internal clearance
C_1	α °	l_1	l_2	l_7		dyn. C_r N	stat. $C_{0r}^{4)}$ N	
6	13	19	42,5	9	0,3	6 000	1 800	0,003 – 0,035
6,75	13	21	46,5	10	0,3	7 650	2 500	0,003 – 0,035
9	13	25	54,5	12	0,3	12 900	4 600	0,005 – 0,040
10,5	13	28	62,5	14	0,3	18 000	7 300	0,005 – 0,040
12	13	32	70,5	16	0,3	24 000	9 100	0,005 – 0,045
13,5	15	36	78,5	18	0,3	31 000	13 700	0,005 – 0,045
15	15	37	87,5	21	0,3	39 000	19 000	0,005 – 0,045
16,5	15	41	95,5	23	0,3	47 500	23 000	0,005 – 0,045
18	15	45	104	25	0,3	57 000	22 800	0,010 – 0,055
20	15	48	112	27	0,3	68 000	30 400	0,010 – 0,055
22	15	55	125	30	0,3	85 000	36 200	0,010 – 0,055
25	15	66	146	35	0,3	114 000	47 500	0,010 – 0,055



Notes

Notes

Notes



Schaeffler KG

Industriestrasse 1-3
91074 Herzogenaurach (Germany)
Internet www.ina.com
E-Mail info@schaeffler.com

In Germany:

Phone 0180 5003872
Fax 0180 5003873

From Other Countries:

Phone +49 9132 82-0
Fax +49 9132 82-4950

FAG

Schaeffler KG

Georg-Schäfer-Strasse 30
97421 Schweinfurt (Germany)
Internet www.fag.com
E-Mail FAGinfo@schaeffler.com

In Germany:

Phone 0180 5003872
Fax 0180 5003873

From Other Countries:

Phone +49 9721 91-0
Fax +49 9721 91-3435



Every care has been taken to ensure the correctness of the information contained in this publication but no liability can be accepted for any errors or omissions. We reserve the right to make technical changes.

© Schaeffler KG · 2008, June

This publication or parts thereof may not be reproduced without our permission.