

OVERRUNNING CLUTCHES AND BACKSTOPS

OVERRUNNING CLUTCHES AND BACKSTOPS

Combined bearing/freewheel

20



IMPRINT

4th Edition 03.2011
PART-NO. ST1354r-en

Published by:
© Stieber GmbH
Hatschekstraße 36
69126 Heidelberg
Germany

This document must not be reprinted, duplicated or translated in full or in part without our prior written consent and without reference to the source of the material.

All content including pictures and diagrams is subject to alteration. We accept no liability.

Layout and Production:
Hela Werbung GmbH
www.hela.com

CSK	20
CSK..2RS	20
CSK..P	22
CSK..PP	22
CSK..P-2RS	22
ASK	24
GFK	26

Stieber – Competence is our strength	4	Mounting instructions	16
The principle	6	Lubrication and maintenance	18
Design	7	Products	20
Selection	10	Special design	94
Selection procedure	11	Alphabetical list	95
Selection table	14	Product names old new	95

Built-in freewheels

28



▶ KI	28
AS	30
ASNU	32
AE	34
AA	36
NF	38
S200	40
DC	42
DC-Races	44
NFR	46

Self-contained freewheels

48



▶ RSBW	48
AV	50
AL	52
ALP	52
AL..F2D2	54
AL..F4D2	54
ALP..F7D7	56
ALMP..F7D7	56
AL..KEED2	58
AL..KMSD2	60
GFR	62
GFRN	62
GFR..F1F2	64
GFR..F2F7	64
GFRN..F5F6	64
GFR..F2F3	66
GFR..F3F4	66
SMZ	68
FSO 300-700	70
FSO-GR 300-700	70
HPI 300-700	70
FS 750-1027	72
FSO 750-1027	72
HPI 750-1027	72
AL..G	74

Centrifugal lift-off sprags freewheels

76



▶ Built-in freewheels	
RSCI 20-130	76
RSCI 180-300	78
RSXM	80
RSRV	82
RSRT	82
▶ Self-contained clutches	
RIZ-RINZ	84
RIZ..G1G2	86
RIZ..G2G7	86
RINZ..G5G5	86
RIZ..G2G3	88
RIZ..G3G4	88
RIZ..ESG2	90
RIZ..ELG2	92



STIEBER: COMPETENCE IS OUR STRENGTH.



INNOVATIVE: DEVELOPEMENT

Throughout its long history Stieber has been familiar with all types of freewheel designs such as roller and sprag variants and consistently led the way in developing new designs and technologies.

We have an unmatched ability in the field of over-running clutches, built on the long experience of our team of qualified engineers and always seeking the best answers in design and manufacture. Alongside a continuous programme of product development unique solutions have been found over the years including:

- Encased overrunning clutches lubricated and cooled by internal oil circulation without the need for a pump.
- Overrunning clutches that may be disengaged either manually or pneumatically.
- Irreversible locks. A novel adaptation of the freewheel principle.

and more than 3,000 special designs developed for specific customer requirements. We can supply anything from 0.8 to 1.7 million Nm so you can be sure of finding the best solution, whatever the application.

ACCURATE: PRODUCTION

Standard products and customer-specific items are produced according to the latest techniques and quality requirements in our two manufacturing plants. Our skilled and experienced workforce take every care to deliver to you a reliable, quality product.

Our commitment to continuous improvement ensures that our systems and processes are constantly under review. Over the past few years this has led to a 30% time saving in manufacture, for example.

The assembly and warehouse departments control stock and material flow using a Kanban system to ensure the correct availability of standard parts and on-time delivery to you the customer.

If you buy your freewheels from Stieber you can be sure of the best in quality and reliability for you and your customers-guaranteed.



STIEBER

Stieber was founded in Munich in 1937 and is now a medium-sized company employing 140 people at its locations in Heidelberg and Garching near Munich.

Our core business activity is the design and production of drive elements for mechanical engineering systems. Our major strength is the development and production of overrunning clutches and backstops, which transmit torque by means of friction.

Stieber can reflect on numerous innovative developments during the course of the company's history innovations that have made it the European market leader. Stieber proved its technical ability once again during the development and design of the largest backstop in the world, for example. This and other backstops are being successfully used even under the toughest of conditions.

Stieber, part of the Altra Industrial Motion Group is – together with its sister companies Formsprag and Marland in the USA – the world's market leader for overrunning clutches and backstops.

Our extensive world-wide service network including more than 1000 stocking distributors and technical centres ensures we are always close to the customers.

Our company philosophy is total customer satisfaction. To achieve this, our processes undergo continual refinement.

Stieber has been certified according to DIN EN ISO 9001 since 1997 and according to ISO 14001 (environment management system) since the year 2000. In addition, an internal monitoring process ensures that quality, timeliness and costs are always to the fore.

TRADEMARK: QUALITY

Total quality is assured both by meeting prescribed product performance specifications and thanks to the reliability of manufacturing methods and process workflows including integrated tests. The key technical data of Stieber products are either calculated using FVA* methods and/or verified on our test benches.

We have test machines with a torque capacity of up to 700.000 Nm. During idling, units with a bore up to 600 mm can be tested at speeds of up to 1.500 rpm. The modern equipment in our quality department allows

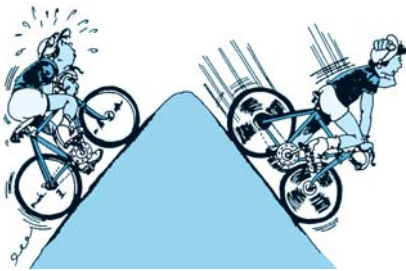
us to carry out all the necessary tests ourselves, such as those for the nuclear power industry, for example. Thanks to this, Stieber has been certified by Framatome/ Siemens among others in compliance with KT 1401."



*1) Power transmission Research Association

THE PRINCIPLE: THE RIGHT ANSWER – EVERY TIME.

1



1 Overrunning clutch

The freewheel disengages automatically when the driven member rotates faster than the driving member.

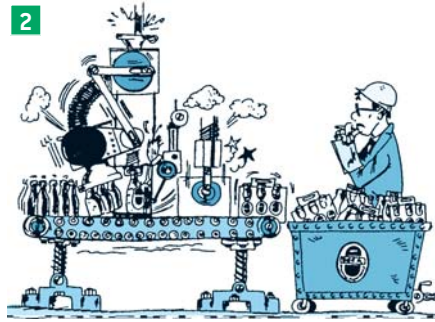
2 Indexing clutch

The freewheel allows the conversion of reciprocating motion into rotational movement.

3 Backstop

The freewheel allows rotation in one direction only. It overruns continuously during operation. The freewheel prevents reverse rotation if the drive is disconnected.

2



3



Overrunning clutches are directional couplings, which means they are engaged and disengaged automatically, depending on the relative direction of rotation of the driving and driven sides. Practical applications of this principle:

1 Overrunning clutch

for multiple-machine drives or to separate the inertia of masses of a driven machine from the driving machine after it has been switched off.

2 Indexing clutch

which turns a shaft step by step, thus achieving indexed material feed or a variable speed.

3 Backstop

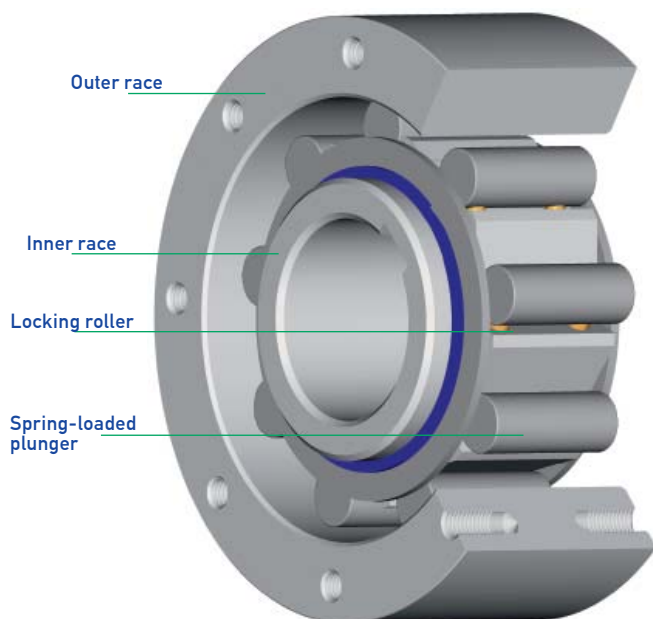
to prevent a machine shaft turning backwards. In this case the overrunning clutch acts as a brake.

BASIC FORMS: ALWAYS A PERFECT SOLUTION.

To achieve the functions described overleaf, so-called locking elements are positioned between an outer and an inner race which effect engaging and disengaging. These locking elements are of two basic designs:

Roller clutch

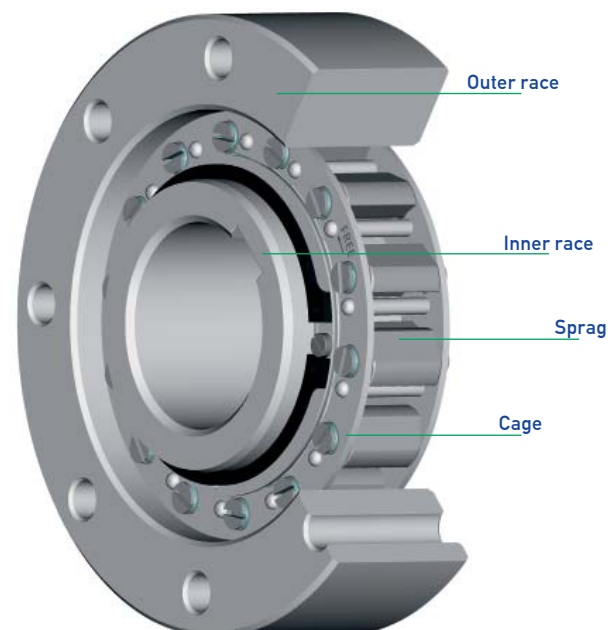
Mainly used as overrunning and indexing clutches.



- Rugged
 - Versatile
 - High indexing accuracy
 - High performance
- overrunning clutch

Sprag clutch

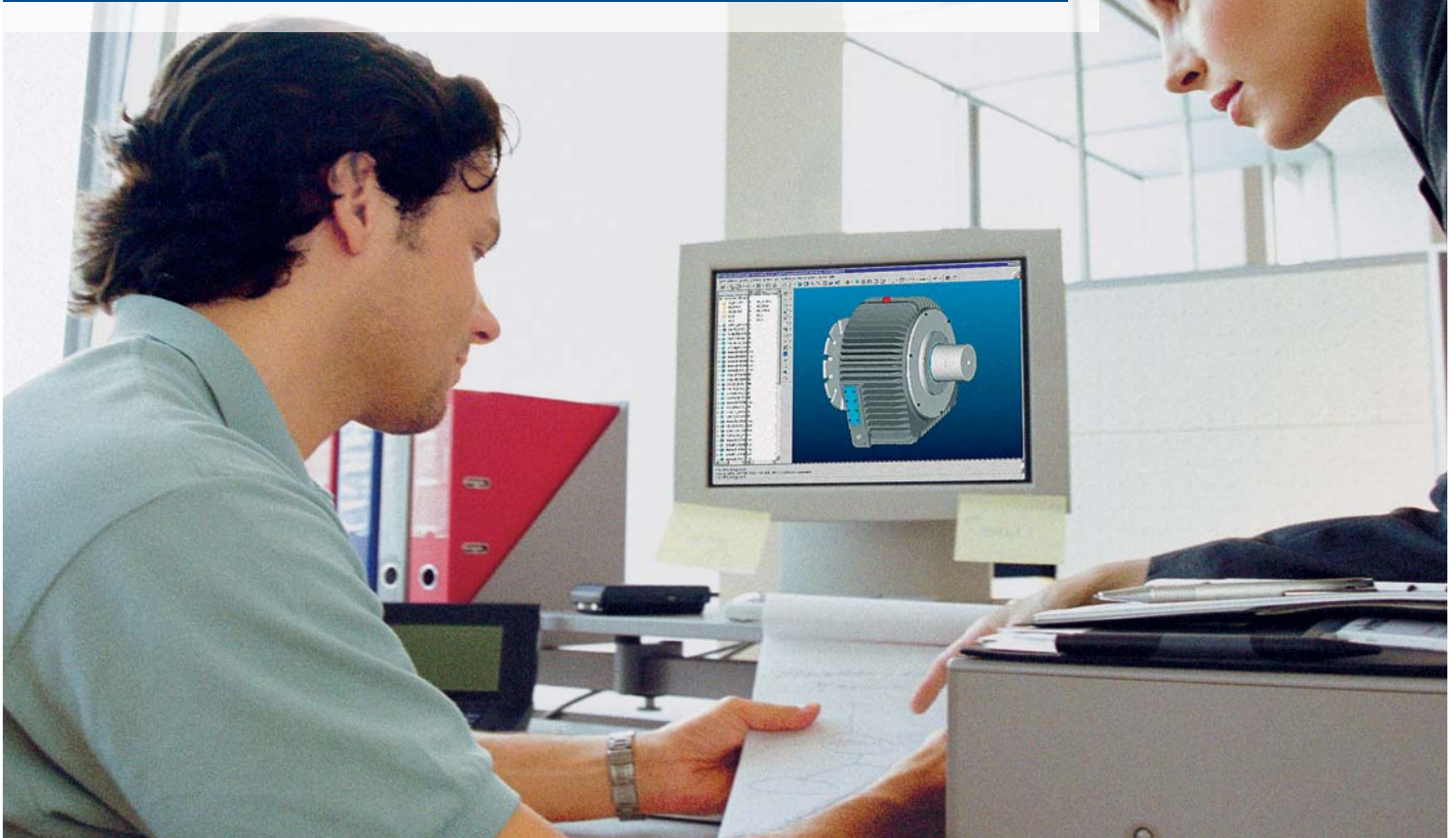
Most suitable as backstops, and mostly the contact-free versions.



- High overrunning speed
- High torque capacity
- High eccentricity tolerances
- Accepts any lubricant

We offer our freewheels in different versions either without bearing support (built-in) or with bearing support (self-contained). (» see selection table page 14)

DESIGN: MANY VERSIONS – ONE QUALITY.

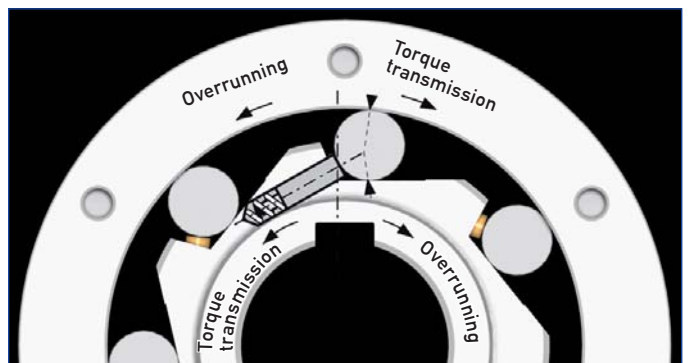


ROLLER FREEWHEELS

These freewheels feature a cylindrical outer race and an inner consisting of ramps on which rollers are located. Springs and plungers ensure a permanent contact between the different elements for an instant torque transmission. This rugged, reliable versatile design can be used as an overrunning clutch, indexing clutch or backstop.

Note: the highest overrunning speed is possible if the outer race is overrunning. For this reason it is particularly adapted to high speed overrunning clutch application for dual drivers.

This design is recommended for use as an indexing clutch. To maximise accuracy, specify »V« type, fitted with stronger springs.

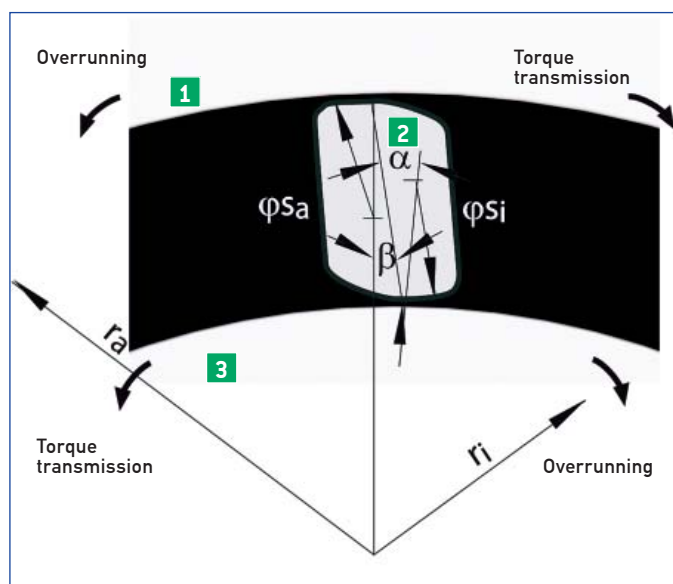


SPRAG FREEWHEELS

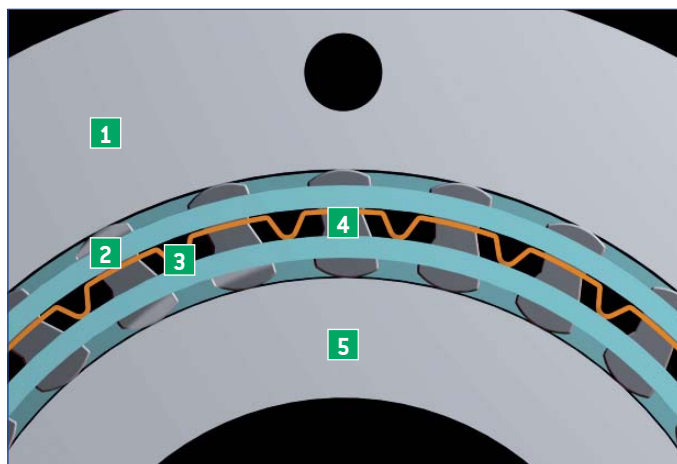
In this type of freewheel, the two races are cylindrical. The sprags, fitted in a cage, feature an active profile that ensures engagement or disengagement according to the relative motion of the races.

It is possible to adapt the design of sprags and cage to get significantly different characteristics from one model to another. For example, models which have permanent contact or are contact free during overrunning, are available.

1 Outer race 2 Sprag 3 Inner race



1 Outer race 2 Cage 3 Spring 4 Sprag 5 Inner race

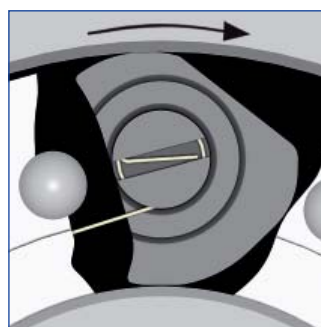


DC DESIGN

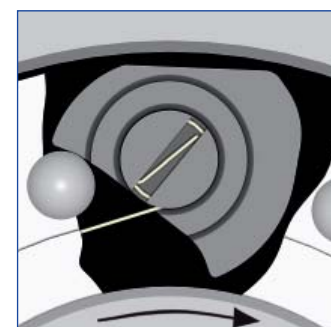
This model features a large number of sprags controlled by two concentric cages. The transmitted torque is high compared to the required space. Sprags are synchronised by the double cage design, and individually energized by a special spring.

In addition to the DC series offered in this catalogue, the CSK, GFK, and RSBW ranges use a similar principle.

Torque transmission



Overrunning



RSCI, RIZ DESIGN

Sprags in this design, are fitted into a cage connected to the overrunning member. The sprag configuration is such that its centre of gravity is offset to its rotation axis.

Centrifugal force creates a lift off moment against an engaging spring. When the centrifugal force moment is greater than that of the spring, the sprag tilts over to a contact free position.

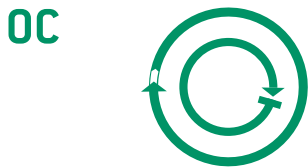
The sprag height and its active profile length allow this type of freewheel to accept significant eccentricity tolerances and to work with all the current lubricants used in power transmissions.

STIEBER SOLUTIONS: ALWAYS THE RIGHT CHOICE.

Unit selection is initially determined by the type of application:
OC Overrunning clutch, IC Indexing clutch, BS Backstop.

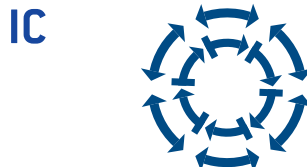
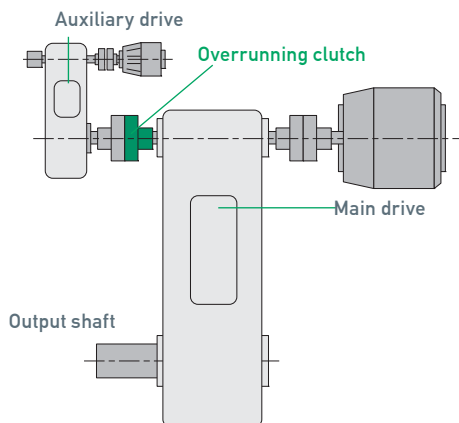
Different technical information is required for each one of them. Mounting details and lubrication requirements finally determine the unit selected.

The information required for each type of application is as follows:



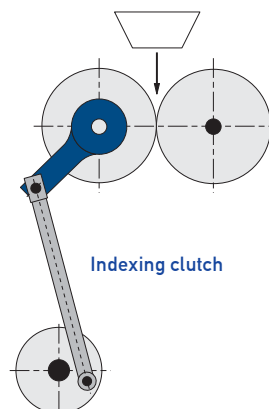
OVERRUNNING CLUTCH

- Type of motor
- Nmstart/Nmnominal of E-motors
- Internal combustion engines, please consult Stieber
- Nominal driving torque
- Range of driving speed
- Inertia „J” of the driven masses
- Range of overrunning speed
- Number of start during service life
- Shaft diameter



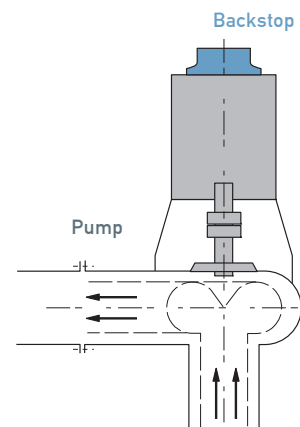
INDEXING CLUTCH

- Number of cycles/min
- Index angle
- Nominal torque
- Inertia „J” of the driven masses
- Accelerations of the driving member
- Number of indexes during service life
- Shaft diameter



BACKSTOP

- Static reverse torque
- Maximum dynamic reverse torque. due to elasticity of the locked parts (elastic belts, shafts more than 3 meters long)
- Range of overrunning speed
- Number of torque applications during service life
- Shaft diameter



THE SELECTION PROCEDURE: WE ADVISE, YOU DECIDE.

If we have the data described on the previous page, Stieber can make the most accurate selection. If all of the information is not available, or if you want to make a selection yourself, the following service factor procedure may be used.

Note: The following method and the service factors used are only a guide based on experience and cannot cover all situations. We cannot accept responsibility for incorrect selection resulting from the use of these tables.

STEP 1 TORQUE SELECTION

The first step is to calculate the catalogue torque (T_{KN}) of the unit to be chosen. This torque is derived from the application nominal torque (T_{appl}) multiplied by a service factor (S.F.) depending on the function of the freewheel and working conditions.

Nominal torque of the application::

$$T_{appl} \text{ (Nm)} = \frac{9550 \times P \text{ (kW)}}{n \text{ (min}^{-1}\text{)}}$$

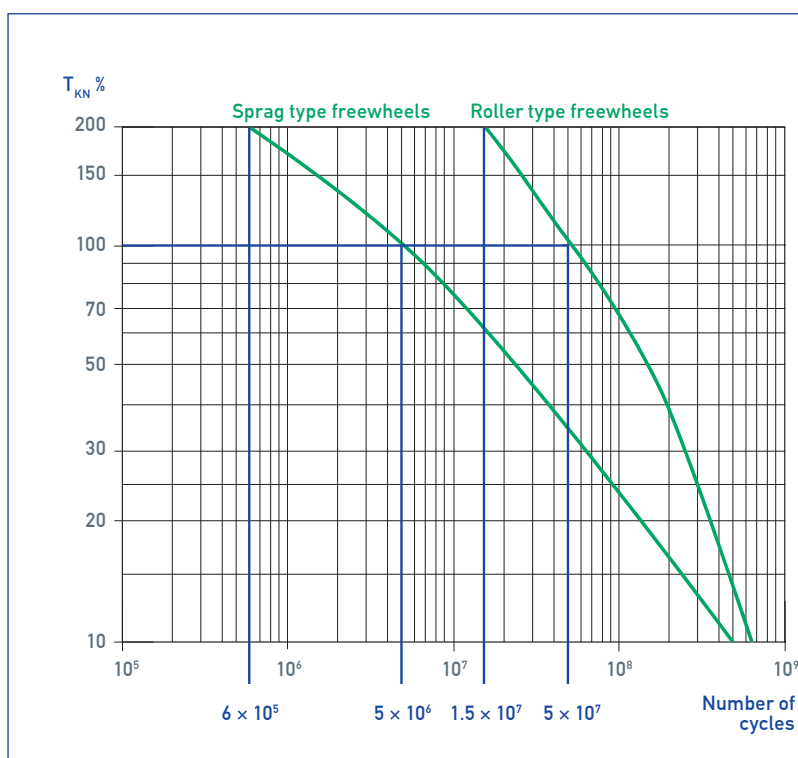
The unit catalogue torque will be:

$$T_{KN} \geq T_{appl} \times \text{S.F.}$$

S.F. (service factor) can be read from the selection tables on page 12.

Note: All the units shown in this catalogue can support a maximum torque equal to 2 times the catalogue torque T_{KN} indicated in the respective data tables.

The following curve may be used as a guide to determine the relationship between torque transmitted and the number of cycles (applications of this torque) the unit would withstand in its life time. Average values are shown.



SERVICE FACTORS.

APPLICATION INDEXING

Indexing speed	Type of freewheel	
	Roller type	Sprag type
Over 150 strokes/min	3.0	4.0
Angle > 90° Over 100 strokes/min	2.5	4.0
Angle > 90° Less than 100 strokes/min	2.0	3.5

APPLICATION BACKSTOP

Driving machine	Driven machine				
	Elastic conveyor belts with risk of jam	Pump drives with more than 5 metres shaft	Fans	Other machines	
				No overloads	Dynamic overloads
Motors with hydraulic couplings	1.3	1.6	0.5	1.0	1.5
Asynchronous motors with direct start ¹	1.6	1.6	0.5	1.0	1.5
Steam or gas turbine	—	1.6	0.5	1.0	1.5
Internal combustion engine	1.6	1.6	0.5	1.0	1.5

1) These values do not cover a motor start in the wrong direction.

APPLICATION OVERRUNNING

Driving machine	Working conditions			
	Starting torque not higher than nominal Smooth drive.	Starting torque up to 2 times running torque. Moderate load variations.	Starting torque 2 to 3 times running torque. Load variations.	High starting torque. High load torque variations.
DC - motor. AC - motor with soft start or hydraulic coupling	1.3	1.5	1.8	—
Asynchronous motor with direct start	Speed reduction between motor & freewheel < 4	—	3.0	4.0
	Speed reduction between motor & freewheel > 4	—	1.8	2.3
Steam or gas turbine	1.3	1.5	—	—
Internal combustion engine	Petrol 4 cyl.or Diesel < 6 cyl.	4.0	5.0	Contact Stieber.
	Diesel ≥ 6 cyl.	5.0	6.0	Contact Stieber.



STEP 2 MODEL SELECTION

When the catalogue torque is known, the model will be selected from the following criteria:

- Built-in or self-contained design
- Driving and overrunning speed limits
- Dimensions
- Lubrication and maintenance

Please refer to the selection table page 14 for a guide to selection. The product range is presented in this order:

SELF-CONTAINED BALL BEARING UNITS (CSK RANGE)

General purpose, economical units for light applications. Grease lubricated, maintenance free. With or without key(s) mounting to shaft and housing.

BUILT-IN UNITS

roller types with inner and outer races (A-series) or only a cage (DC sprag series). Bearing support, lubrication and maintenance must be provided.

SELF-CONTAINED UNITS

- Low speed, grease lubricated, maintenance free (RSBW, AV series)
- Medium overrunning speed inner race. High overrunning speed outer race. Roller types, oil lubricated. (AL, GFR series).




- High overrunning speed inner race. Medium overrunning speed outer race. Sprag types, oil or grease lubricated (SMZ, FS, FSO series).
- High speed, high power, for continuous duty encased overrunning clutches (AL..G series).



























CENTRIFUGAL LIFT OFF SPRAG TYPES

Special overrunning clutches and backstops contact free during overrunning. Please be aware of the speeds permissible in driving and overrunning modes.

- Built-in units: Low lubrication requirement. Accept a large range of lubricants (RSCI series).
- Self-contained units: Grease lubricated, long life and maintenance free (RIZ series).

SELECTION TABLE

	Applications groups	Type of support	  			Bore range-diameter	Torque range
			OC	IC	BS		
CSK..2RS CSK/CSK..P ASK GFK	Integral bearing/ freewheel based on series 62, 60 and 59	Bearing support	○	○	○	8–40	2.5–325
			●	●	●	12–40	2.5–325
			○	○	○	12–40	16.9–325
			●	●	●	20–30	50–138
			○	○	○	40–60	72–250
			●	●	●	20–50	51–460
KI AS (NSS) ASNU (NFS) AE AA NF S200 DC DC-Races NFR	Built-in freewheels: Must be integrated in a housing that provides bearing support and lubrication. Low to medium torque and speeds.	No bearing support	○	○	○	4–10	0.8–2.9
			●	●	●	6–80	2.1–1 063
			○	○	○	8–200	12–44 500
			●	●	●	12–70	17–5813
			○	○	○	12–70	17–5813
			●	●	●	8–150	20–44 375
			○	○	○	16–56	45–850
			●	●	●	10–70	63–4 875
		○	○	○	10–70		
		●	●	●	8–130	20–34 750	
RSBW AV AL/ALP AL..F2D2/F4D2 ALP../ALMP..F7D7 AL..KEED2 AL..KMSD2 GFR/GFRN GFR..F1F2 GFR..F2F7 GFRN..F5F6 GFR..F2F3 GFR..F3F4 SMZ FSO/FSO-GR/HPI FS/FSO/HPI AL..G	Self-contained clutches: Sealed, with integral lubrication. From small to high torques, low to max speeds. Applications in all types of industry.	Bearing support			○	25–90	375–4 875
				●	●	20–120	265–11 000
			○	○	○	12–250	55–287 500
			●	●	●	12–250	55–287 500
			○	○	○	12–250	55–287 500
			●	●	●	12–250	55–287 500
			○			12–250	55–250 000
			●			12–120	50–20 000
			○	○	○	12–150	55–70 000
			●	●	●	12–150	55–70 000
			○	○	○	12–150	55–70 000
					●	12–150	55–70 000
					○	12–150	55–70 000
			●	●	●	20–70	300–4 300
			○	○	○	12–80	379–6 900
●	●	●	57–175	9660–36 612			
○			12–150	288–45 000			
RSCI 20-130 RSCI 180-300 RSXM RSRV RSRT RIZ / RINZ RIZ..G1G2/..G2G7 RINZ..G5G5 RIZ..G2G2/..G3G4 RIZ..ELG2 RIZ..ESG2	Centrifugally lift off sprags: Wear free above a given speed. High speeds with little lubrication demand. Specifically designed for: gear reducers, motors, pumps, ventilators, turbines.	No bearing support	○		○	100–240	7250–38 250
			●		●	20–240	212–100 000
			○		○	20–70	100–1950
					●	50–190	1400–30 000
					○	50–190	1400–30 000
		Bearing support	●		●	30–130	313–16 875
			○		○	30–130	313–16 875
			●		●	30–130	313–16 875
					○	30–130	313–16 875
					●	30–130	313–16 875
○			30–130	80–16 000			
●			30–130	313–16 875			

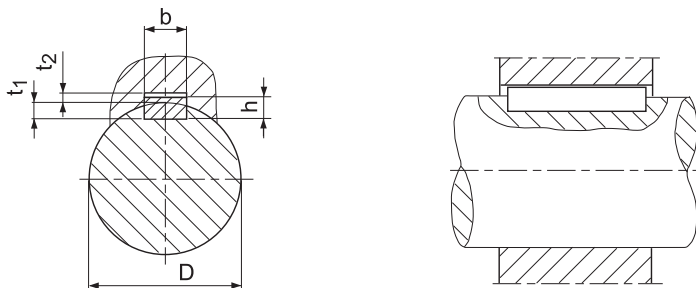
Overrunning Speed inner race	Overrunning Speed outer race	Lubrication	Types	Page	
			CSK CSK..2RS CSK..P. CSK..PP CSK..P-2RS ASK GFK	20 20 22 22 24 26	
			KI AS (NSS) ASNU (NFS) AE AA NF	28 30 32 34 36 38	
			S200 DC DC Ringe	40 42 44	
			NFR	46	
	not possible			RSBW AV	48 50
			AL/ALP AL..F2D2 AL..F4D2 ALP..F7D7 AL..KEED2 AL..KMSD2 GFR-GFRN GFR..F1F2/F2F7 GFRN..F5F6	52 54 54 56 58 60 62 64 64	
	not possible		GFR..F2F3 GFR..F3F4	66 66	
			 	SMZ FSO 300-700 FSO 750-1027	68 70 72
not possible				AL..G	74
	not possible		 	RSCI 20-130 RSCI 180-300 RSXM RSRV RSRT	76 78 80 82 82
	not possible			RIZ-RINZ RIZ..G1G2/G2G7 RINZ..G5G5 RIZ..G2G3 RIZ..G3G4 RIZ..ESG2 RIZ..ELG2	84 86 86 88 88 90 92

MOUNTING INSTRUCTIONS: SO THAT IT FITS.

KEY ASSEMBLIES

For all freewheel inner races connected to shaft by a key, our standard bore tolerance is H7, with keyway to JS10.

We recommend a shaft tolerance of h6 or j6. For maximum indexing accuracy, adjusted keys should be machined to give no clearance.



Bore size	DIN 6885* Sheet 1				DIN 6885* Sheet 3			
	b ^{JS10}	h	t ₁	t ₂	b ^{JS10}	h	t ₁	t ₂
> 6–8	2 ± 0.020	2	1.2 + 0.1	1 + 0.3				
> 8–10	3 ± 0.020	3	1.8 + 0.1	1.4 + 0.3				
> 10–12	4 ± 0.024	4	2.5 + 0.1	1.8 + 0.3				
> 12–17	5 ± 0.024	5	3 + 0.1	2.3 + 0.3	5 ± 0.024	3	1.9 + 0.1	1.2 + 0.3
> 17–22	6 ± 0.024	6	3.5 + 0.1	2.8 + 0.3	6 ± 0.024	4	2.5 + 0.1	1.6 + 0.3
> 22–30	8 ± 0.029	7	4 + 0.2	3.3 + 0.4	8 ± 0.029	5	3.1 + 0.1	2 + 0.3
> 30–38	10 ± 0.029	8	5 + 0.2	3.3 + 0.4	10 ± 0.029	6	3.7 + 0.2	2.4 + 0.3
> 38–44	12 ± 0.035	8	5 + 0.2	3.3 + 0.4	12 ± 0.035	6	3.9 + 0.2	2.2 + 0.3
> 44–50	14 ± 0.035	9	5.5 + 0.2	3.8 + 0.4	14 ± 0.035	6	4 + 0.2	2.1 + 0.3
> 50–58	16 ± 0.035	10	6 + 0.2	4.3 + 0.4	16 ± 0.035	7	4.7 + 0.2	2.4 + 0.3
> 58–65	18 ± 0.035	11	7 + 0.2	4.4 + 0.4	18 ± 0.035	7	4.8 + 0.2	2.3 + 0.3
> 65–75	20 ± 0.042	12	7.5 + 0.2	4.9 + 0.4	20 ± 0.042	8	5.4 + 0.2	2.7 + 0.3
> 75–85	22 ± 0.042	14	9 + 0.2	5.4 + 0.4	22 ± 0.042	9	6 + 0.2	3.1 + 0.4
> 85–95	25 ± 0.042	14	9 + 0.2	5.4 + 0.4	25 ± 0.042	9	6.2 + 0.2	2.9 + 0.4
> 95–110	28 ± 0.042	16	10 + 0.2	6.4 + 0.4	28 ± 0.042	10	6.9 + 0.2	3.2 + 0.4
> 110–130	32 ± 0.050	18	11 + 0.3	7.4 + 0.4	32 ± 0.050	11	7.6 + 0.2	3.5 + 0.4
> 130–150	36 ± 0.050	20	12 + 0.3	8.4 + 0.4	36 ± 0.050	12	8.3 + 0.2	3.8 + 0.4
> 150–170	40 ± 0.050	22	13 + 0.3	9.4 + 0.4				
> 170–200	45 ± 0.050	25	15 + 0.3	10.4 + 0.4				
> 200–230	50 ± 0.050	28	17 + 0.3	11.4 + 0.4				
> 230–260	56 ± 0.060	32	20 + 0.3	12.4 + 0.4				
> 260–290	63 ± 0.060	32	20 + 0.3	12.4 + 0.4				
> 290–330	70 ± 0.060	36	22 + 0.3	14.4 + 0.4				

*1) Keyway tolerances for hardened parts are not given in DIN6885.

PRESS FIT ASSEMBLIES

Shaft and bore tolerances are specified on the pages for each type where press fitting is appropriate.

As with standard bearings, suitable tooling must be used for press fitting such that no axial load is transmitted through the inner part of the freewheel during assembly.



BOLT ASSEMBLIES

In freewheel technology torque is often transmitted through bolts. Experience has shown that it is a practical and reliable way since freewheels transmit torque in only one direction.

Bolt quality and tightening torques to use are as follows:

Thread	Strength standard			
	8.8		10.9	
	Type	[Nm]	Type	[Nm]
M5		6		8
M6		10	AA	14
M8		25	AL	34
M10	RSCI	48	FSO	68
M12		84	GFR	118
M16		206	HPI	290
M20		402	RIZ	550
M24		696		950
M30		1420		1900

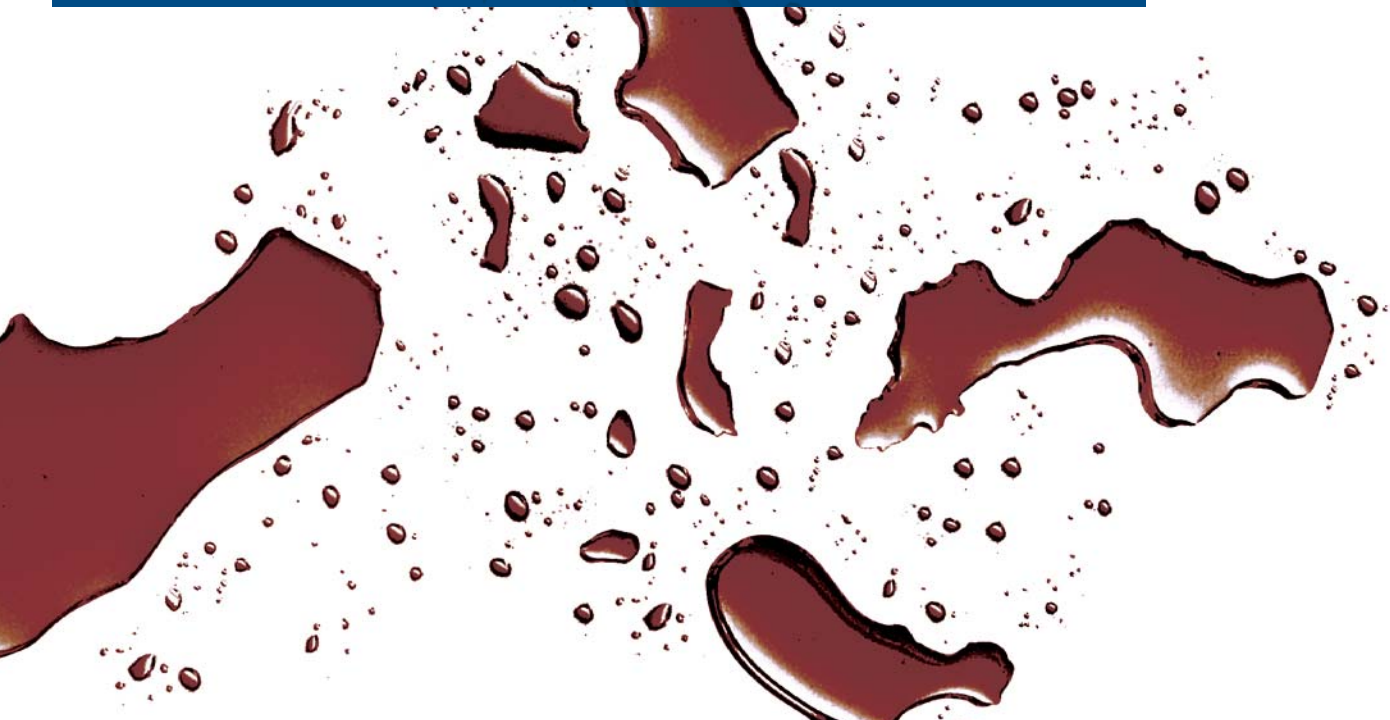
RUN-OUT



Permitted run-out tolerances for the mounting of non self supported roller freewheels AA, AE, AS, ASNU, KI and NF (» see table on the right).

In order to maintain these limits, ball bearings with standard clearance must be installed adjacent to the freewheel. The permitted run-out for sprag type freewheels DC, RSCI and S200 are given in their respective tables.

Bores-diameter [mm]	AA, AE, AS, ASNU, KI, NF	
	Runout TIR	Squareness TIR
4–8	0.020	0.02
10–17	0.035	0.03
20–50	0.060	0.03
55–100	0.100	0.03
110–150	0.160	0.03

LUBRICATION AND MAINTENANCE: NOW LET'S LOOK AFTER IT.



Oil	 Operating -20°C to +20°C Ambient -40°C to -15°C	 Operating +10°C to +50°C Ambient -15°C to +15°C	 Operating +40°C to +70°C Ambient +15°C to +30°C	 Operating +50°C to +85°C Ambient +30°C to +50°C	Grease
ISO-VG/DIN 51519 mm ² /s	10	22	46	100	
        	SUMOROL CM10	SUMOROL CM22	SUMOROL CM 46 MOTANOL HE 46	DEGOL CL 100 T MOTANOL HE 100	ARALUB HL2
	ENERGOL CS10	ENERGOL CS22	ENERGOL CS 46 ENERGOL RC-R 46	ENERGOL CS 100 ENERGOL RC 100	ENERGREASE LS2
	—	—	AIRCOL PD 46	AIRCOL PD 100	SPHEEROL MP 2
	SPINESSO 10	SPINESSO 22	TERESSTIC T46	NUTO 100	UNIREX N2
	RENOLIN MR3	RENOLIN DTA22	RENOLIN DTA46	RENOLIN MR30	RENOLIT LZR2
	ISOFLEX PDP 38	ISOFLEX PDP 48	LAMORA HLP 46	LAMORA 100	POLYLUB WH2 Klübersynth BM 44-42
	VELOCITE No 6	VELOCITE No 10	MOBIL DTE 798	MOBIL DTE OIL HEAVY	POLYREX EM
	MORLINA 10	MORLINA 22	MORLINA 46	MORLINA 100	ALVANIA RL2
	AZZOLA ZS10	AZZOLA ZS22	AZZOLA ZS46	AZZOLA ZS100	MULTIS 2

Alternatively we strongly recommend the use of multigrade oil SAE 10W-40 at working temperature between 0°C and +80°C.

OIL

The oil lubricated freewheels from this catalogue are delivered lubricated with a VG 32 oil viscosity if they are sealed, self-contained units (except ALP..F7D7, GFRN..F5F6 and GFR..F3F4).

Other freewheels are delivered without lubricant, other than a protection against corrosion. Before putting a unit into operation, it is necessary to remove the anti corrosive fluid and to fill the unit with appropriate oil. Generally, for a horizontally mounted unit, the correct oil level is 1/3 of the internal clutch height unless specified. (For vertically mounted units please contact us).

Correct lubricants to use are given in the lubrication chart.

Oils including graphite, molybdenum and EP additives should be avoided. This chart is for guidance only. In the case of low or high overrunning speeds, or limiting temperatures, please contact our technical department.

GREASE

A number of models have been designed specially for grease lubrication as standard (» see page 14–15).

In this case, the unit will always be delivered lubricated, ready for mounting either in horizontal or vertical position. The grease used is a long life type, with high thermal and chemical stability.

Unless specified, no maintenance is required. To increase the service life of units we recommend to remove, clean, inspect and re-grease them after two years of operation

Note: Unlike all other designs, sprag types RSCI and DC version-N can work with all the current lubricants used in power transmissions.

Initially change the oil after 10 hours of operation. Afterwards every 2000 hours, every 1000 hours in a dirty environment.

Level and oil condition as well as rotating seals should be checked regularly. For working temperatures below -40°C and above $+100^{\circ}\text{C}$, please contact us.

If grease lubrication is the only option for one of these types, we recommend you contact our technical department for approval.



CSK CSK..2RS



TYPE

CSK..2RS



CSK



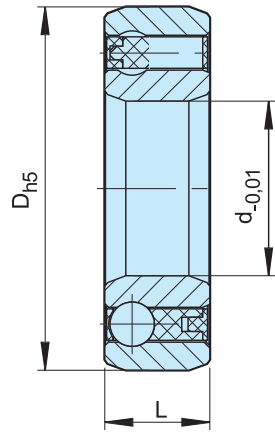
Type CSK is a sprag type freewheel integrated into a 62 series ball bearing (except sizes 8 and 40). It is bearing supported, delivered grease lubricated and protected against dust of more than 0,3 mm. The use of additional "nylos" type seals is recommended especially when the working temperature exceeds 50°C. Oil bath lubrication is also possible.

All the CSK versions are equipped with "formchromed" sprags. This process increases several times the

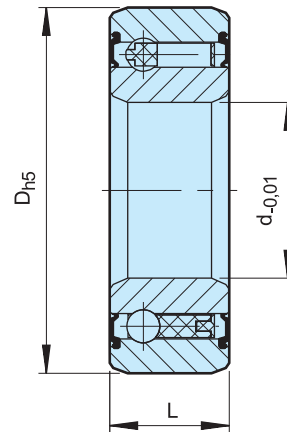
overrunning life time. Torque transmission is ensured by a press fit assembly into a rigid outer housing with N6 tolerance, and onto a shaft with n6 tolerance. The initial bearing radial clearance is set at C5, and is reduced if using the press fit as specified.

Please contact us when either the ambient or the operating temperature is not within the range +5°C to +60°C. CSK..2RS is 5 mm wider but is equipped with lip seals to be water splash resistant.

CSK



CSK..2RS



Type	Size	Bearing series					Bearing loads		Weight (kg)	Drag torque T_R (Ncm)
			$T_{KN}^{1)}$ (Nm)	n_{max} (min ⁻¹)	D (mm)	L (mm)	dynamic C (kN)	static C ₀ (kN)		
CSK (KK)	8*	—	2,5	15000	22	9	3,28	0,86	0,015	0,5
	12	6201	9,3	10000	32	10	6,1	2,77	0,04	0,7
	15	6202	17	8400	35	11	7,4	3,42	0,06	0,9
	17	6203	30	7350	40	12	7,9	3,8	0,070	1,1
	20	6204	50	6000	47	14	9,4	4,46	0,110	1,3
	25	6205	85	5200	52	15	10,7	5,46	0,140	2,0
	30	6206	138	4200	62	16	11,7	6,45	0,210	4,4
	35	6207	175	3600	72	17	12,6	7,28	0,300	5,8
	40	—	325	3000	80	22	15,54	12,25	0,5	7,0
CSK..2RS	8**	—	2,5	15000	22	9	3,28	0,86	0,015	0,8
	12	—	9,3	10000	32	14	6,1	2,77	0,05	3,0
	15	—	17	8400	35	16	7,4	3,42	0,070	4,0
	17	—	30	7350	40	17	7,9	3,8	0,09	5,6
	20	—	50	6000	47	19	9,4	4,46	0,145	6,0
	25	—	85	5200	52	20	10,7	5,46	0,175	6,0
	30	—	138	4200	62	21	11,7	6,45	0,270	7,5
	35	—	175	3600	72	22	12,6	7,28	0,400	8,2
	40	—	325	3000	80	27	15,54	12,25	0,6	10

NOTES

1) $T_{max} = 2 \times T_{KN}$

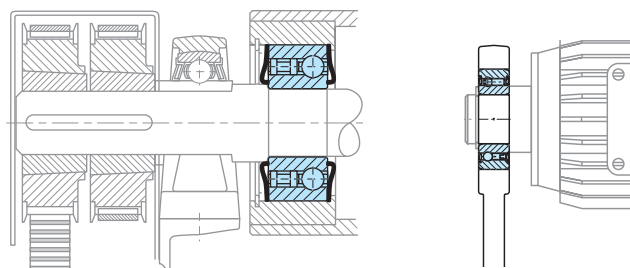
» Refer to Selection page 10 to 13

*) One Z seal on the bearing side only. Looking from this side, the outer race runs free in the counterclockwise direction

**) Only one RS seal on the ball bearing side looking from this side, the outer race runs free in the counterclockwise direction

» Refer to mounting and maintenance instructions page 16 to 19

MOUNTING EXAMPLES



CSK..P CSK..PP CSK..P-2RS



TYPE

CSK..PP



CSK..P



Types CSK..P and CSK..PP are sprag type freewheels integrated into 62.. series ball bearings (except size 40). They are bearing supported, delivered grease lubricated and protected against dust of more than 0.3 mm.

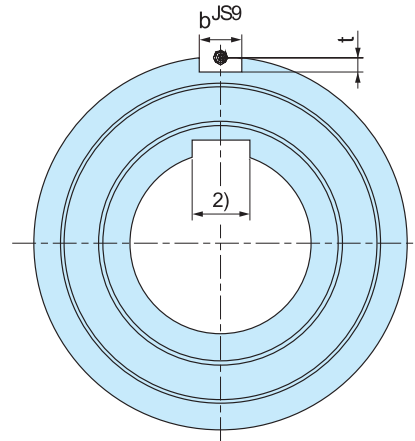
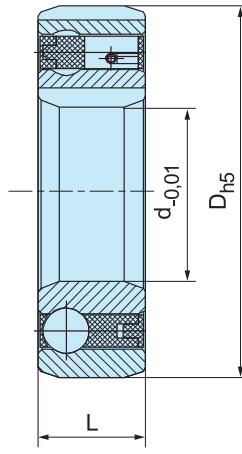
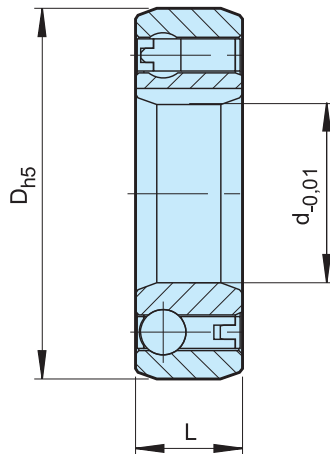
The use of additional “nylos” type seals is recommended especially when the working temperature exceeds 50°C. Oil bath lubrication is also possible.

In addition to the basic CSK model, type CSK..P features a keyway on the inner race. For this reason it can

be keyed to a shaft to k6 tolerance. The outer race must still be pressed into a rigid housing to N6 tolerance.

CSK..PP features a keyway on both the inner and outer race. The recommended mounting tolerances are h6 on the shaft and H6 in a rigid housing. Please contact us when either the ambient or the operating temperature is not within the range +5°C to +60°C.

CSK..P



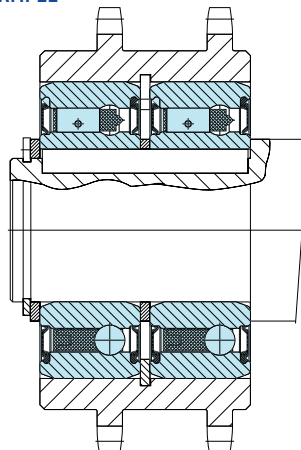
CSK..PP

Type	Size	Bearing series							Bearing loads		Weight (kg)	Drag torque T_R (Ncm)
			$T_{KN}^{1)}$ (Nm)	n_{max} (min ⁻¹)	D (mm)	L (mm)	b (mm)	t (mm)	dynamic C (kN)	static C ₀ (kN)		
CSK..P ²⁾	12	6201	9,3	10000	32	10			6,1	2,77	0,04	0,7
	15	6202	17	8400	35	11			7,4	3,42	0,06	0,9
	17	6203	30	7350	40	12			7,9	3,8	0,070	1,1
	20	6204	50	6000	47	14			9,4	4,46	0,110	1,3
	25	6205	85	5200	52	15			10,7	5,46	0,140	2,0
	30	6206	138	4200	62	16			11,7	6,45	0,210	4,4
	35	6207	175	3600	72	17			12,6	7,28	0,300	5,8
	40	—	325	3000	80	22			15,54	12,25	0,5	7,0
CSK..PP ²⁾	15	6202	17	8400	35	11	2	0,6	7,4	3,42	0,06	0,9
	17	6203	30	7350	40	12	2	1,0	7,9	3,8	0,070	1,1
	20	6204	50	6000	47	14	3	1,5	9,4	4,46	0,110	1,3
	25	6205	85	5200	52	15	6	2,0	10,7	5,46	0,140	2,0
	30	6206	138	4200	62	16	6	2,0	11,7	6,45	0,210	4,4
	35	6207	175	3600	72	17	8	2,5	12,6	7,28	0,300	5,8
	40	—	325	3000	80	22	10	3,0	15,54	12,25	0,5	7,0
CSK..P-2RS ²⁾	12	—	9,3	10000	32	14			6,1	2,77	0,05	3
	15	—	17	8400	35	16			7,4	3,42	0,07	4
	17	—	30	7350	40	17			7,9	3,8	0,09	5,6
	20	—	50	6000	47	19			9,4	4,46	0,145	6,0
	25	—	85	5200	52	20			10,7	5,46	0,175	6,0
	30	—	138	4200	62	21			11,7	6,45	0,270	7,5
	35	—	175	3600	72	22			12,6	7,28	0,4	8,2
	40	—	325	3000	80	27			15,54	12,25	0,6	10

NOTES

- 1) $T_{max} = 2 \times T_{KN}$
» Refer to Selection page 10 to 13
- 2) Keyway to DIN 6885.3
Size 40 keyway to DIN 6885.1
- » Refer to mounting and maintenance instructions page 16 to 19

MOUNTING EXAMPLE



ASK



TYPE



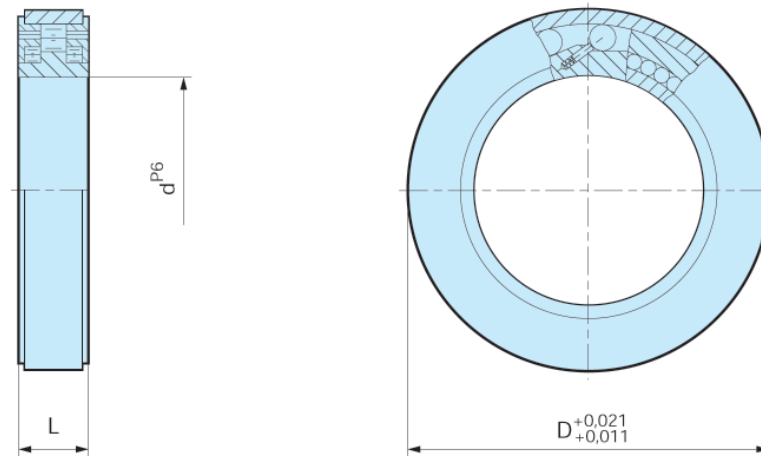
Type ASK is a roller type freewheel bearing supported by two rows of roller bearings. It is a self-contained dust protected unit, delivered grease lubricated.

Nominal outside dimensions are the same as a 60.. series bearing. Torque transmission must be ensured by a press fit on both the inner and outer race. Because of this press fit, the standard radial clearance is C4. The interference tolerances are on the freewheel dimensions,

allowing a direct mounting in a standard series 60.. bearing location: Shaft tolerance should be h6 or j6 The outer race should be pressed into a rigid housing to K6 tolerance.

Radial bearing load capacities are given in the table. Type ASK freewheels can not accept axial loading. In cases of such loads, thrust bearings must be provided.

ASK



Type	Size	Bearing series					Bearing loads		Weight (kg)	Drag torque (Ncm)
			$T_{KN}^{1)}$ (Nm)	n_{max} (min ⁻¹)	D (mm)	L (mm)	dynamic C (kN)	static C ₀ (kN)		
ASK	d ^{P6} (mm)									
	40	6008	72	3500	68	15	16	20,6	0,25	15
	50	6010	125	2200	80	16	19,6	23,5	0,34	20
	60	6012	250	1800	95	18	25,3	35,1	0,5	25

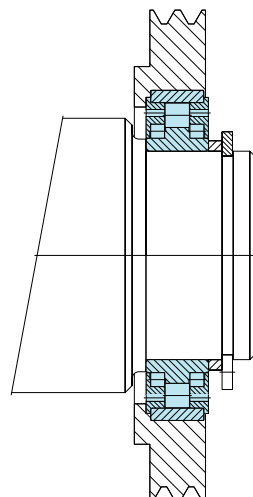
NOTES

1) $T_{max} = 2 \times T_{KN}$

» Refer to Selection page 10 to 13

» Refer to mounting and maintenance instructions
page 16 to 19

MOUNTING EXAMPLE



GFK



TYPE



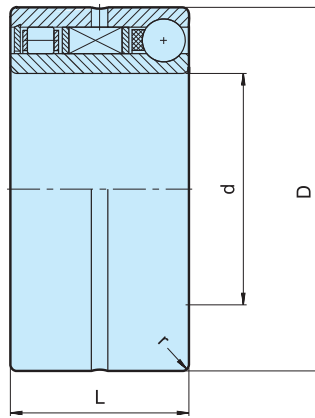
Type GFK is a sprag type freewheel integrated into a 59.. series ball bearing. This design provides high torque capacity for minimal outside diameter. It is a bearing supported type, delivered grease lubricated.

Oil bath lubrication is also possible. Whatever the lubrication type, seals should be provided, as illustrated on the next page.

Torque transmission must be ensured by a press fit assembly into a rigid outer housing with R6 tolerance, and onto a shaft with p5 tolerance.

Initial radial clearance has been provided to take into account this heavy press fit. Operating temperature range: -20°C to $+100^{\circ}\text{C}$. Peaks up to $+120^{\circ}\text{C}$ are acceptable for short periods. Please contact us for higher temperatures.

GFK

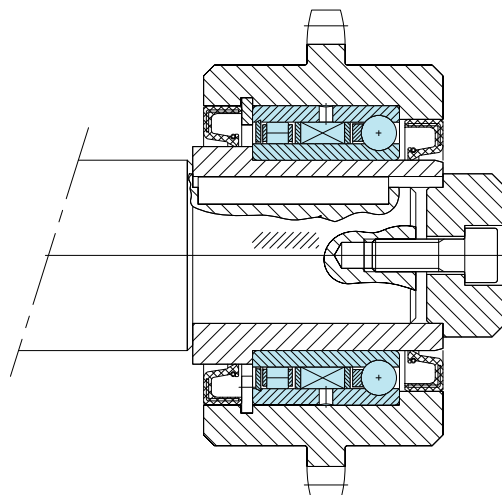


Type	Size	Overrunning speeds			Bearing series	Loads							Weight
		$T_{KN}^{1)}$ (Nm)	$n_{imax}^{2)}$ (min ⁻¹)	$n_{amax}^{3)}$ (min ⁻¹)		Rollers dyn.	Balls dyn.	Rollers stat.	Balls stat.	D (mm)	L (mm)	r (mm)	
GFK	d (mm)					C (N)	C (N)	C ₀ (N)	C ₀ (N)	D (mm)	L (mm)	r (mm)	(kg)
	20	51	5500	4000	5904	5600	4400	2900	2750	37	23	0,5	0,09
	25	65	5300	3800	5905	6300	5300	3450	3350	42	23	0,5	0,11
	30	95	5000	3500	5906	7700	5500	4600	3650	47	23	0,5	0,13
	35	204	4600	3200	5907	8200	8500	5200	5700	55	27	1	0,20
	40	315	4200	3000	5908	8650	9300	5750	6700	62	30	1	0,30
	45	370	3800	2500	5909	9200	9700	6350	7300	68	30	1	0,34
50	460	3400	2200	5910	9650	10000	6950	7800	72	30	1	0,36	

NOTES

- 1) $T_{max} = 2 \times T_{KN}$
» Refer to Selection page 10 to 13
 - 2) Inner race overruns
 - 3) Outer race overruns
- » Refer to mounting and maintenance instructions page 16 to 19

MOUNTING EXAMPLE



KI

TYPE



Type KI is a roller type freewheel. It is an assembly comprising of an inner race and rollers fitted into a polyamide cage. This type of unit can not be dismantled. It is designed for small mechanisms in office equipment, or packaging machines, to be mounted inside gears or feed rollers.

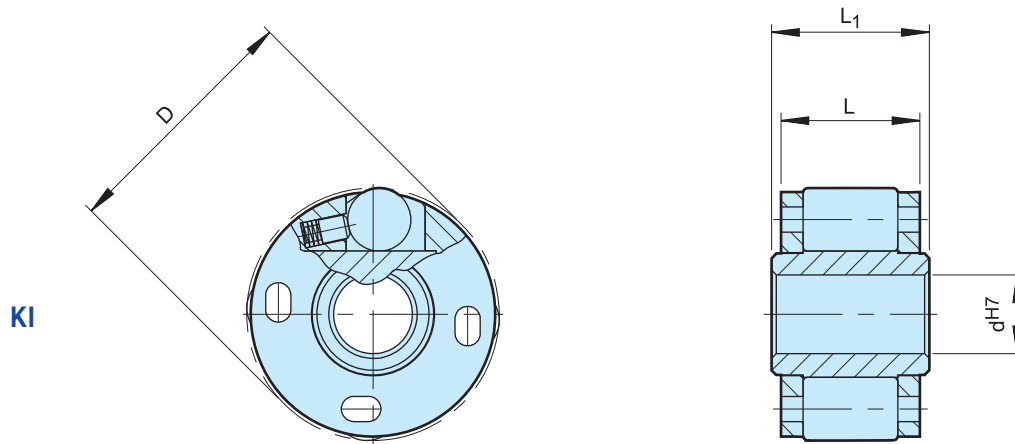
The gear or feed roller inner diameter is used as the outer race. Additional bearing support is required, and the freewheel must not be subjected to axial loading; mounting

examples are shown on the following page. The outer race does not need to be hardened; min. strength: 700 N/mm^2

The surface roughness will not exceed 22 CLA.

Mounting onto the shaft can be a press fit to r6 tolerance or a glue fit with a clearance of 0,02 to 0,05mm.

Sizes 8 mm and above can be supplied with a keyway. Temperature range: -40°C to $+100^\circ\text{C}$ (continuous operation). Peak temperatures of $+120^\circ\text{C}$ are acceptable for short periods of time.



Type	Size	Overrunning speeds				Weight			
		d^{H7} [mm]	$T_{KN}^{1)}$ [Nm]	$n_{imax}^{2)}$ [min ⁻¹]	$n_{amax}^{3)}$ [min ⁻¹]		D^{H7} [mm]	L_1 [mm]	L [mm]
Ki	164	4	0.8	8000	10000	16	10	9	0.008
	165	5	0.8	8000	10000	16	10	9	0.007
	194	4	0.9	7000	9000	19	10	9	0.012
	195	5	0.9	7000	9000	19	10	9	0.011
	196	6	0.9	7000	9000	19	10	9	0.010
	268*	8	2.9	5000	6000	26	14	13	0.023
	269*	9	2.9	5000	6000	26	14	13	0.021
	2610*	10	2.9	5000	6000	26	14	13	0.019

NOTES

1) $T_{max} = 2 \times T_{KN}$

» Refer to Selection page 10 to 13

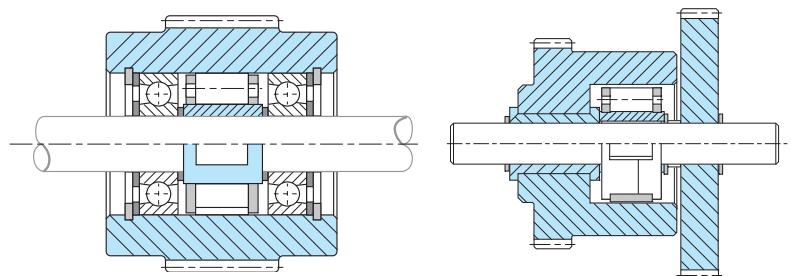
*) Can be also supplied with a keyway to DIN 6885.1

2) Inner race overruns

3) Outer race overruns

» Refer to mounting and maintenance instructions page 16 to 19

MOUNTING EXAMPLES



AS

TYPE

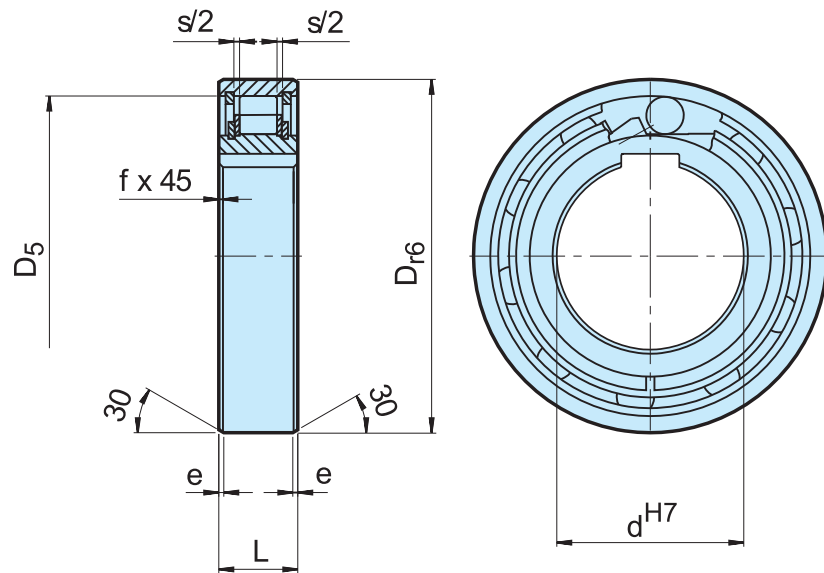


Type AS is a roller type freewheel non-bearing supported. Bearings are required to support axial and radial loads. Lubrication and sealing must also be provided by the installation. Nominal outside dimensions are the same as series 62.. ball bearings.

A typical arrangement is to install this type alongside a series 62 bearing within the same location tolerances, as shown on the following page.

The inner race is keyed to the shaft (except 6 mm bore). The outer race has a positive r_6 tolerance to give a press fit in a H7 housing. The outer housing must be strong enough to not expand after assembly. This design can accept an axial misalignment of inner and outer race of $\pm S/2$.

AS



Type	Size	Overrunning speeds									Weight	Drag torque
		d^{H7} [mm]	$T_{KN}^{1)}$ [Nm]	$n_{imax}^{2)}$ [min ⁻¹]	$n_{amax}^{3)}$ [min ⁻¹]	D_{r6} [mm]	D_5 [mm]	L [mm]	s [mm]	e [mm]		
AS (NSS)	6	2,10	5000	7500	19	15,8	6	0,3	0,6	0,3	0,01	0,18
	8	3,8	4300	6500	24	20	8	1,3	0,6	0,6	0,02	0,24
	10	6,8	3500	5200	30	25,9	9	1,3	0,6	0,6	0,03	0,36
	12	13	3200	4800	32	28	10	1,3	0,6	0,6	0,04	0,48
	15	14	2800	4300	35	31	11	1,4	0,6	0,6	0,05	0,70
	20	40	2200	3300	47	40	14	2,4	0,8	0,8	0,12	1,4
	25	56	1900	2900	52	45,9	15	2,4	0,8	0,8	0,14	2,4
	30	90	1600	2400	62	55	16	2,4	0,8	1	0,22	7,8
	35	143	1300	2000	72	64	17	2,5	0,8	1	0,31	9,0
	40	185	1200	1800	80	72	18	2,5	0,8	1	0,39	10
	45	218	1000	1600	85	77	19	2,5	1,2	1	0,44	11
	50	230	950	1500	90	82	20	2,5	1,2	1	0,49	13
	55	308	800	1300	100	90	21	2,5	1,2	1	0,66	14
	60	508	700	1100	110	100	22	2,5	1,2	1,5	0,81	26
	80	1063	600	900	140	128	26	2,5	1,2	1,5	1,41	58

NOTES

AS6 without keyway. $\varnothing D = \begin{smallmatrix} -0 \\ -0,009 \end{smallmatrix}$
 AS8-12 keyway to DIN 6885.1.
 Other sizes to DIN 6885.3

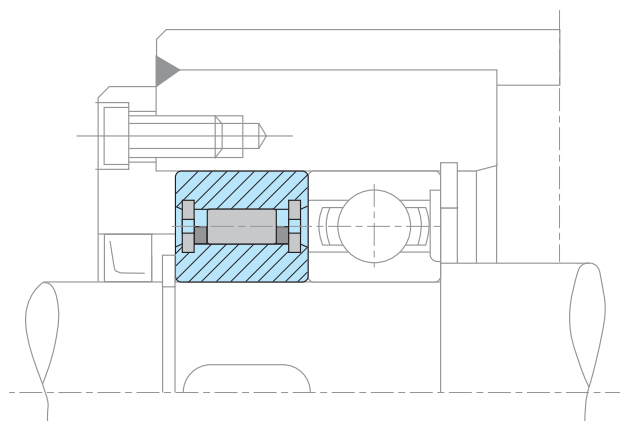
1) $T_{max} = 2 \times T_{KN}$
 » Refer to Selection page 10 to 13

2) Inner race overruns

3) Outer race overruns

Mounting dimensions are identical to ball bearings series 62.
 » Refer to mounting and maintenance instructions
 page 16 to 19

MOUNTING EXAMPLE



ASNU

TYPE



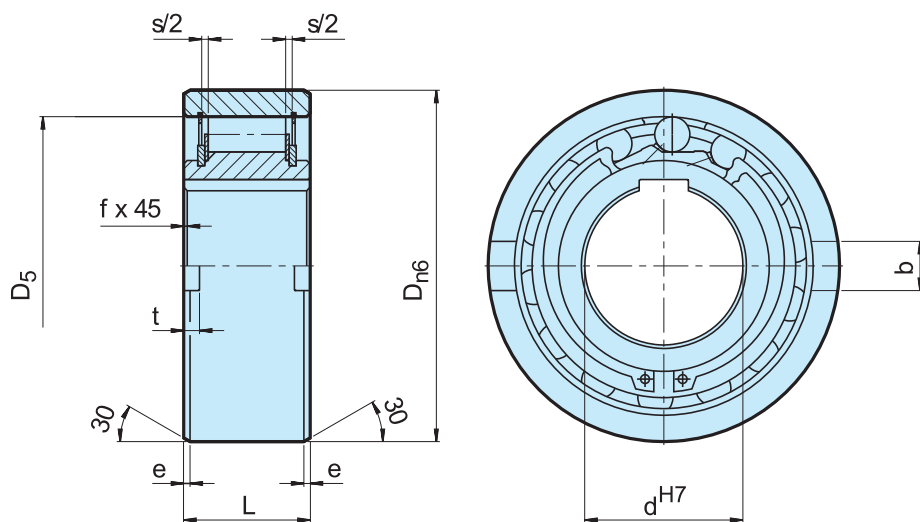
Type ASNU is a roller type freewheel non-bearing supported. Bearings are required to support axial and radial loads. Lubrication and sealing must also be provided by the installation. Nominal outer diameter is the same as a series 63.. ball bearing.

A typical arrangement is to install this type alongside a bearing within the same location tolerances, as shown on the following page. The inner race is keyed to the shaft.

The outer race has positive $n6$ tolerance, to give a press fit in a H7 housing. Additional side notches in the outer race provide for positive torque transmission.

If the housing is to K6 tolerance, use of the notches is not necessary, but the housing must be strong enough to not expand after assembly. This design can accept an axial misalignment of inner and outer race of $\pm S/2$.

ASNU



Type	Size	Overrunning Speeds											Weight (kg)	Drag torque T_R (Ncm)
		$d_{H7}^{1)}$ (mm)	$T_{KN}^{2)}$ (Nm)	$n_{imax}^{3)}$ (min ⁻¹)	$n_{amax}^{3)}$ (min ⁻¹)	D_{n6} (mm)	D_5 (mm)	L (mm)	b (mm)	t (mm)	s (mm)	e (mm)		
ASNU	8	12	3300	5000	35	28	13	4	1.4	2.4	0.6	0.3	0.07	1.6
	12	12	3300	5000	35	28	13	4	1.4	2.4	0.6	0.3	0.06	1.6
	15	30	2400	3600	42	37	18	5	1.8	2.4	0.8	0.3	0.11	1.9
	17	49	2300	3400	47	40	19	5	2.3	2.4	1.2	0.8	0.15	1.9
	20	78	2100	3100	52	42	21	6	2.3	2.4	1.2	0.8	0.19	1.9
	25	125	1700	2600	62	51	24	8	2.8	2.4	1.2	0.8	0.38	5.6
	30	255	1400	2200	72	60	27	10	2.5	2.4	1.8	1	0.54	14
	35	383	1200	1900	80	70	31	12	3.5	2.4	1.8	1	0.74	16
	40	538	1100	1700	90	78	33	12	4.1	2.5	1.8	1	0.92	38
	45	780	1000	1600	100	85	36	14	4.6	2.5	1.8	1	1.31	43
	50	1013	850	1350	110	92	40	14	5.6	2.5	1.8	1	1.74	55
	60	1825	750	1050	130	110	46	18	5.5	3.6	2.6	1.5	2.77	110
	70	2300	600	950	150	125	51	20	6.9	3.6	2.6	1.5	4.16	140
	80	3275	550	850	170	140	58	20	7.5	3.6	2.6	1.5	6.09	180
	90	5325	500	750	190	160	64	20	8.0	3.6	2.6	2	8.2	230
	100	7250	450	680	215	175	73	24	8.5	3.6	2.6	2	12.6	380
	120	13500	370	550	260	215	86	28	10	3.6	2.6	2.5	22	650
	150	26625	300	460	320	260	108	32	12	3.6	3.6	2.5	42	1000
200	44500	230	350	420	350	138	45	16	7.6	3.6	3	93	2000	

NOTES

ASNU8-12, ASNU200 keyway to DIN 6885. 1,
other sizes to DIN 6885.3

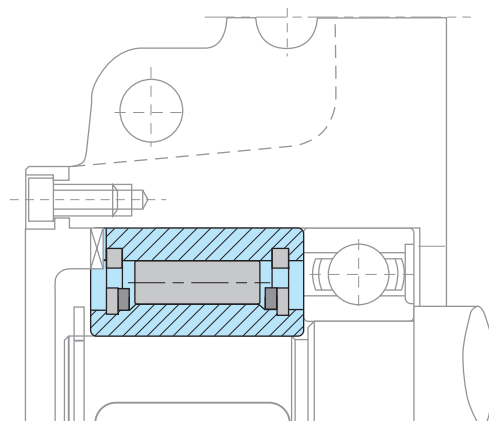
1) $T_{max} = 2 \times T_{KN}$

» Refer to Selection page 10 to 13

2) Inner race overruns

3) Outer race overruns

» Refer to mounting and maintenance instructions
page 16 to 19

MOUNTING EXAMPLE

AE

TYPE

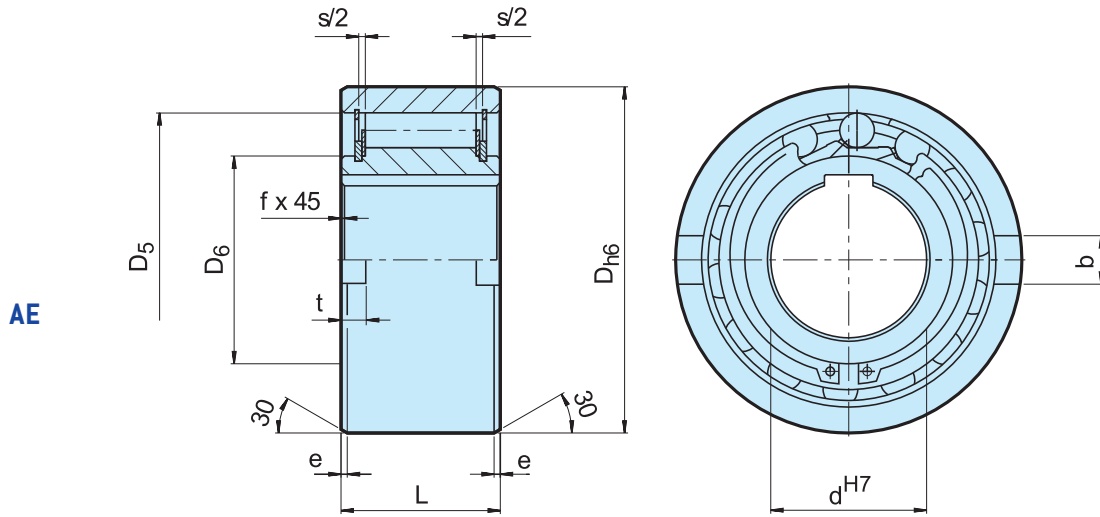


Type AE is a roller type freewheel non-bearing supported. Bearings are required to support axial and radial loads. Lubrication and sealing must also be provided by the installation. Nominal outside diameter is a standard ball bearing dimension.

A typical arrangement is to install this type beside a bearing with the same housing diameter tolerance as shown on the following page.

The inner race is keyed to the shaft. The outer race has a h6 tolerance and should be fitted in a housing with a K7 tolerance. Additional side notches provide for positive torque transmission.

If the housing tolerance is to R6, use of the notches is not necessary, but the housing must be strong enough to not expand after assembly. This design can accept an axial misalignment of inner and outer race of $\pm S/2$.



Type	Size	Overrunning speeds											Weight (kg)	Drag torque T_R (Ncm)	
		$T_{KN}^{1)}$ (Nm)	$n_{imax}^{2)}$ (min ⁻¹)	$n_{smax}^{3)}$ (min ⁻¹)	D_{h6} (mm)	D_5 (mm)	D_6 (mm)	L (mm)	s (mm)	f (mm)	e (mm)	b (mm)			t (mm)
AE	12	17	3100	6000	37	28	20	20	4,5	0,5	0,8	6	3	0,11	0,7
	15	55	2300	5400	47	37	26	30	4,5	0,8	1,2	7	3,5	0,30	3,5
	20	146	2000	3600	62	50	35	34	5,5	0,8	1,2	8	3,5	0,55	8,4
	25	285	1700	2600	80	68	45	37	6,5	1	1,8	9	4	0,98	14
	30	500	1500	2100	90	75	50	44	6,2	1	1,8	12	5	1,50	23
	35	720	1300	1950	100	80	55	48	3,8	1	1,8	13	6	2,00	60
	40	1030	1200	1700	110	90	60	56	3,8	1,5	1,8	15	7	2,80	72
	45	1125	1050	1600	120	95	65	56	3,8	1,5	2,6	16	7	3,30	140
	50	2150	950	1300	130	110	75	63	5,8	1,5	2,6	17	8	4,20	180
	55	2675	850	1200	140	115	82	67	3,8	2	2,6	18	9	5,20	190
	60	3500	800	1100	150	125	90	78	7,6	2	2,6	18	9	6,80	240
	70	5813	650	900	170	140	100	95	7,6	2,5	2,6	20	9	10,5	320

NOTES

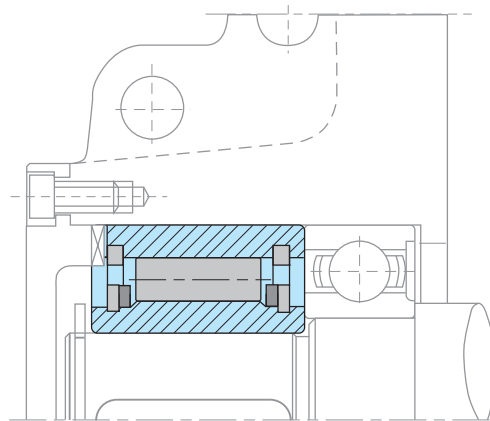
1) $T_{max} = 2 \times T_{KN}$
 » Refer to Selection page 10 to 13

2) Inner race overruns

3) Outer race overruns

Keyway to DIN 6885.1
 » Refer to mounting and maintenance instructions page 16 to 19

MOUNTING EXAMPLE



AA



TYPE

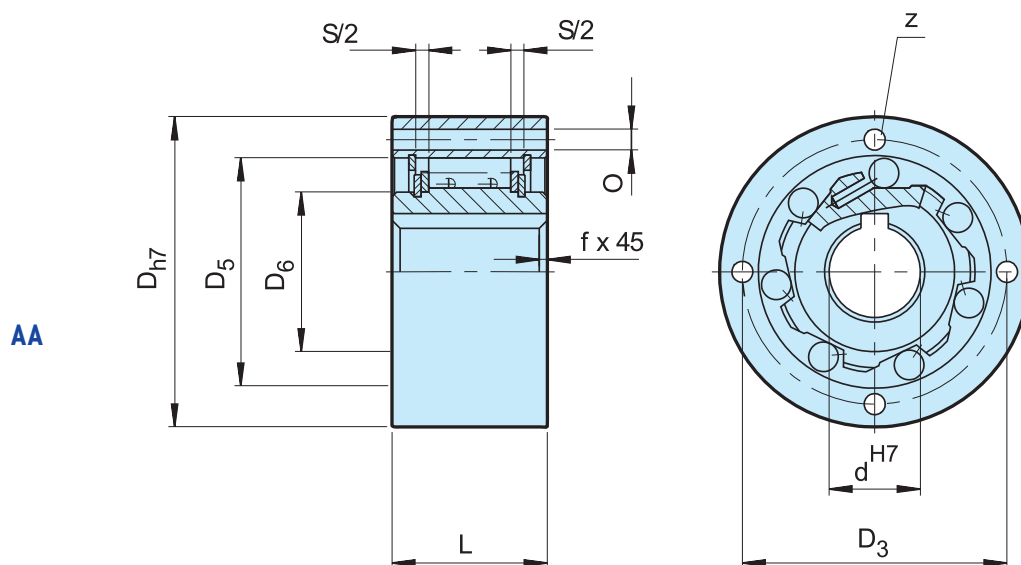


Type AA is a roller type freewheel non-bearing supported. Bearings are required to support axial and radial loads. Lubrication and sealing must also be provided by the installation.

Standard lubrication is oil. A typical installation is shown on the following page.

The inner race is keyed to the shaft. The fit for centering of the outer race must be to H7 tolerance. Connection of the outer race is via through bolts to grade 10.9 or better.

This design can accept an axial misalignment of inner and outer race of $\pm S/2$.



Type	Size	Overrunning speeds											Weight	Drag torque		
		d_{H7} (mm)	$T_{KN}^{1)}$ (Nm)	$n_{imax}^{2)}$ (min ⁻¹)	$n_{amax}^{3)}$ (min ⁻¹)	D_{h7} (mm)	D_5 (mm)	D_6 (mm)	D_3 (mm)	Z	θ (mm)	L (mm)			f (mm)	s (mm)
AA	12	17		3100	6000	47	28	20	38	3	5,5	20	0,5	4,5	0,21	0,7
	15	55		2300	5400	55	37	26	45	3	5,5	30	0,8	4,5	0,44	3,5
	20	146		2000	3600	68	50	35	58	4	5,5	34	0,8	5,5	0,70	8,4
	25	285		1700	2600	90	68	45	78	6	5,5	37	1	6,5	1,30	14
	30	500		1500	2100	100	75	50	87	6	6,6	44	1	6,5	2,00	23
	35	720		1300	1950	110	80	55	96	6	6,6	48	1	6,5	2,60	60
	40	1030		1200	1700	125	90	60	108	6	9	56	1,5	7,6	3,90	72
	45	1125		1050	1500	130	95	65	112	8	9	56	1,5	7,6	4,00	140
	50	2150		950	1300	150	110	75	132	8	9	63	1,5	7,6	6,00	180
	55	2675		850	1200	160	115	82	138	8	11	67	2	7,6	7,20	190
	60	3500		800	1100	170	125	90	150	10	11	78	2	7,6	9,20	240
	70	5813		650	900	190	140	100	165	10	11	95	2,5	7,6	11,8	320

NOTES

1) $T_{max} = 2 \times T_{KN}$
 » Refer to Selection page 10 to 13

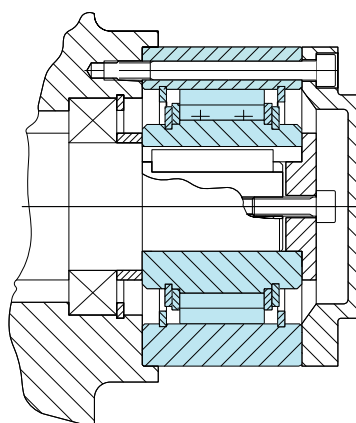
2) Inner race overruns

3) Outer race overruns

Keyway to DIN 6885.1

» Refer to mounting and maintenance instructions
 page 16 to 19

MOUNTING EXAMPLE



NF

TYPE



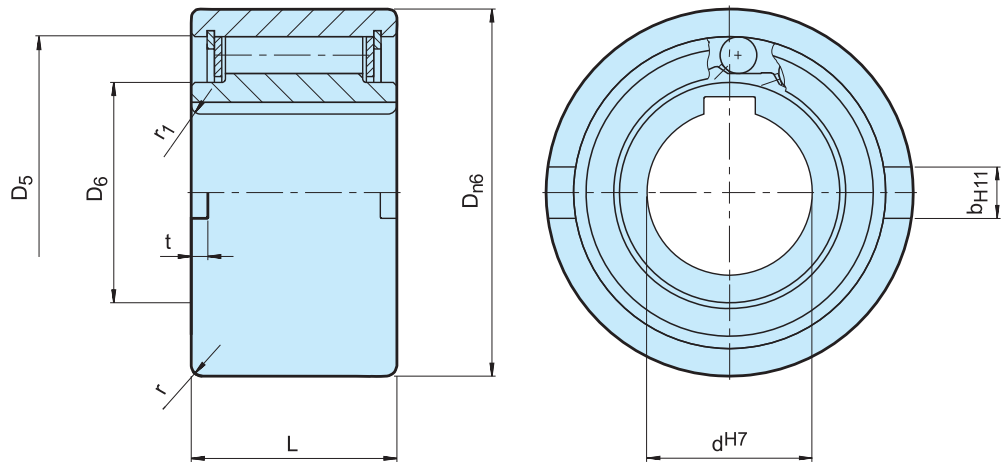
Type NF is a roller type freewheel non-bearing supported. Bearings are required to support axial and radial loads. Lubrication and sealing must also be provided by the installation.

Standard lubrication is oil. Nominal outside diameter is a standard ball bearing dimension. A typical arrangement is to install this type alongside a bearing with the same housing tolerances, as shown on the

following page. The inner race is keyed to the shaft. The outer race has a positive $n6$ tolerance to give a press fit in a H7 housing. Additional side notches provide for positive torque transmission.

If the housing tolerance is to K6, use of the notches is not necessary, but the housing must be strong enough to not expand after assembly.

NF



Type	Size	Overrunning speeds											Weight [kg]
		$T_{KN}^{1)}$ [Nm]	$n_{imax}^{2)}$ [min ⁻¹]	$n_{amax}^{3)}$ [min ⁻¹]	D_{n6} [mm]	D_5 [mm]	D_6 [mm]	L [mm]	t [mm]	b^{H11} [mm]	r [mm]	r_1 [mm]	
NF	8	20	5000	6000	37	30	20	20	3	6	1.0	1.5	0.1
	12	20	5000	6000	37	30	20	20	3	6	1.0	1.5	0.1
	15	78	4500	5400	47	37	26	30	3.5	7	1.5	1.5	0.3
	20	188	3000	3600	62	52	37	36	3.5	8	2.0	2.0	0.6
	25	250	2200	2600	80	68	49	40	4	9	2.5	2.0	1.1
	30	500	1800	2100	90	75	52.5	48	5	12	2.5	2.0	1.6
	35	663	1600	1950	100	80	58	53	6	13	2.5	2.5	2.3
	40	1100	1250	1700	110	90	62	63	7	15	3.0	2.5	3.1
	45	1500	1100	1500	120	95	69	63	7	16	3.0	2.5	3.7
	50	2375	850	1300	130	110	82	80	8.5	17	3.5	3.0	5.4
	55	2500	800	1200	140	115	83	80	9	18	3.5	3.0	6.1
	60	4250	700	1100	150	125	93.5	95	9	18	3.5	3.5	8.5
	70	5875	620	900	170	140	106	110	9	20	3.5	3.5	13.0
	80	10000	550	800	190	160	122	125	9	20	4.0	3.5	18.0
	90	17250	480	700	215	180	133	140	11.5	24	4.0	4.0	25.3
	100	19625	400	600	260	210	157	150	14.5	28	4.0	4.0	42.1
	130	34750	300	480	300	240	188	180	17	32	5.0	5.0	65.0
150	44375	250	400	320	260	205	180	17	32	5.0	5.0	95.0	

NOTES

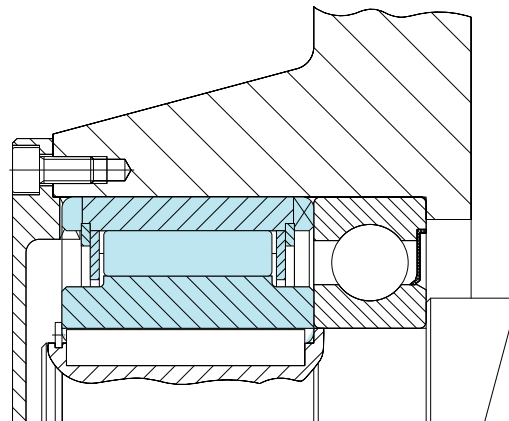
1) $T_{max} = 2 \times T_{KN}$
 » Refer to Selection page 10 to 13

2) Inner race overruns

3) Outer race overruns

Keyway to DIN 6885.1
 » Refer to mounting and maintenance instructions
 page 16 to 19

MOUNTING EXAMPLE



S200

TYPE



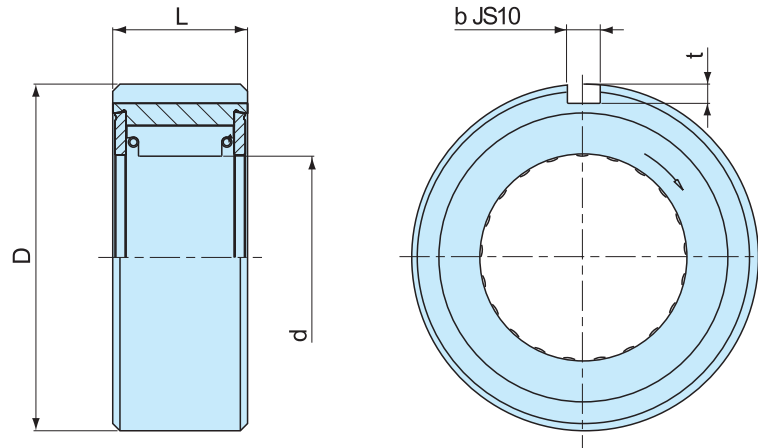
Type S200 is a non bearing supported sprag type freewheel. The sprags run directly on the shaft provided by the user. Bearings are required to support axial and radial loads. Lubrication and sealing must also be provided by the installation.

A typical arrangement is to install this type alongside a bearing as shown on the following page. The housing bore to receive the outer race will be machined with a H7 tolerance. A key will transmit the torque. The shaft on which the sprags run must have a surface hardness of

HRc 60 to 62 for a finished depth of 0,6 mm minimum. Core hardness should be HRc 35 to 45. Surface roughness must not exceed 22 CLA. Maximum shaft taper 0,01 mm per 50 mm length. Concentricity between shaft and housing bore should be maintained within TIR 0,05 mm.

The preferred lubrication is oil. The Stieber design allows the use of most of the common lubricants used in power transmission including gear oils with EP additives. When necessary grease lubrication is also possible.

S200

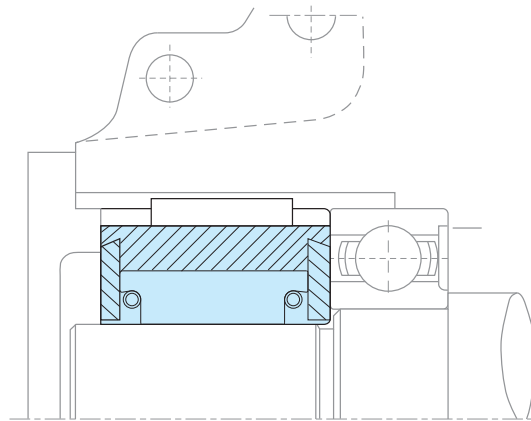


Type	Size	d _{±0.025} [mm]	T _{KN} ¹⁾ [Nm]	Overrunning speeds		D [mm]	L [mm]	b [mm]	t [mm]	Bearing series	Drag torque T _r [Ncm]	Weight [kg]
				n _{max} ²⁾ [min ⁻¹]	n _{amax} ³⁾ [min ⁻¹]							
S200	203	16.510	45	2400	500	40 _{-0.014 -0.039}	25	4	2.5	6203	0.01	0.25
	204	18.796	60	2400	500	47 _{-0.014 -0.039}	25	5	3	6204	0.01	0.35
	205	23.622	100	1800	400	52 _{-0.017 -0.042}	25	5	3	6205	0.02	0.45
	206	32.766	240	1800	350	62 _{-0.017 -0.042}	28	7	4	6206	0.02	0.70
	207	42.088	380	1800	300	72 _{-0.017 -0.042}	28	7	4	6207	0.02	0.80
	208	46.761	560	1800	200	80 _{-0.017 -0.042}	32	10	4.5	6208	0.02	0.90
	209	46.761	560	1800	200	85 _{-0.020 -0.042}	32	10	4.5	6209	0.02	0.95
	210	56.09	850	1200	200	90 _{-0.020 -0.042}	32	10	4.5	6210	0.03	1.00

NOTES

- 1) $T_{\max} = 2 \times T_{KN}$
» Refer to Selection page 10 to 13
 - 2) Inner race overruns
 - 3) Outer race overruns
- » Refer to mounting and maintenance instructions page 16 to 19

MOUNTING EXAMPLE



DC

TYPE



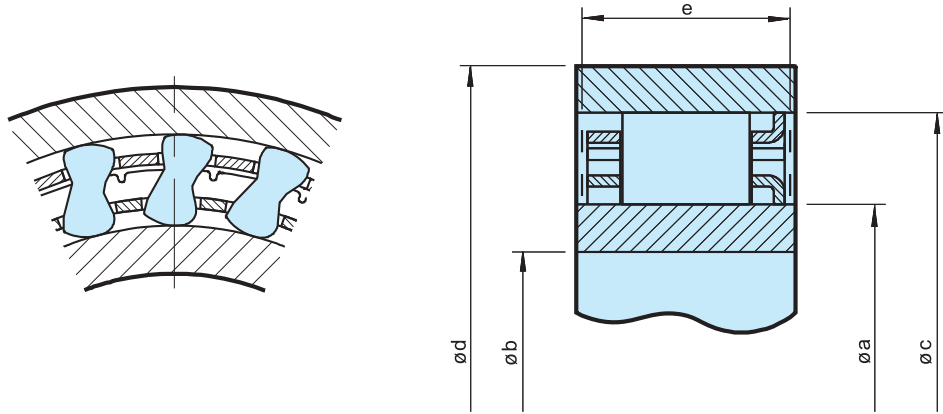
Type DC is a sprag type freewheel cage without inner or outer races. It must be installed in a design providing races, bearing support for axial and radial loads, lubrication and sealing. The DC type version-N accepts all types of lubricants currently used in the power transmission equipment.

The sprag space tolerance must not be exceeded. Inner and outer races must both have a minimum plain width “e”, without any recess, to ensure the freewheel functions correctly as shown on following pages.

Alternatively, races can be made in case hardened steel shafts, or housings, to the specification below. Surface hardness of the finished part should be HRC 60 to 62, for a depth of 0,6 mm minimum.

Core hardness to be HRC35 to 45. Surface roughness not to exceed 22CLA. Maximum taper between races: 0,007 mm for 25 mm width.

DC



Size	Overrunning speeds			Sprag space			Number of clips	Number of sprags	Weight			
	$T_{KN}^{1)}$ [Nm]	$n_{imax}^{2)}$ [min ⁻¹]	$n_{amax}^{3)}$ [min ⁻¹]	$\varnothing a^{+0,008}$ $-0,005$ [mm]	$\varnothing c \pm 0,013$ [mm]	Sprag space [mm]				e_{min} [mm]	$\varnothing d_{min}$ [mm]	$\varnothing b_{max}$ [mm]
DC2222G-N	63	8600	4300	22,225	38,885	8,33 ±0,075	10,0	50	15	—	12	0,030
DC2776-N	119	6900	3400	27,762	44,422	8,33 ±0,075	13,5	58	18	—	14	0,055
DC3034-N	124	6300	3100	30,340	47,000	8,33 ±0,075	13,5	62	20	—	14	0,060
DC3175(3C)-N	159	6000	3000	31,750	48,410	8,33 ±0,075	13,5	63	21	3	16	0,060
DC3809A-N	275	5000	2500	38,092	54,752	8,33 ±0,075	16,0	71	25	—	18	0,085
DC4127(3C)-N	224	4600	2300	41,275	57,935	8,33 ±0,075	13,5	75	27	3	18	0,090
DC4445A-N	363	4300	2100	44,450	61,110	8,33 ±0,1	16,0	79	29	—	20	0,095
DC4972(4C)-N	306	3800	1900	49,721	66,381	8,33 ±0,1	13,5	86	33	4	22	0,100
DC5476A-N	525	3500	1700	54,765	71,425	8,33 ±0,1	16,0	92	36	—	24	0,110
DC5476A(4C)-N	525	3500	1700	54,765	71,425	8,33 ±0,1	16,0	92	36	4	24	0,130
DC5476B(4C)-N	769	3500	1700	54,765	71,425	8,33 ±0,1	21,0	92	36	4	24	0,180
DC5476C(4C)-N	990	3500	1700	54,765	71,425	8,33 ±0,1	25,4	92	36	4	24	0,200
DC5776A-N	604	3300	1600	57,760	74,420	8,33 ±0,1	16,0	98	38	—	26	0,110
DC6334B-N	806	3000	1500	63,340	80,000	8,33 ±0,1	21,0	104	42	—	26	0,175
DC7221(5C)-N	675	2600	1300	72,217	88,877	8,33 ±0,1	13,5	115	48	5	30	0,140
DC7221B-N	1279	2600	1300	72,217	88,877	8,33 ±0,1	21,0	115	48	—	30	0,185
DC7221B(5C)-N	1279	2600	1300	72,217	88,877	8,33 ±0,1	21,0	115	48	5	30	0,210
DC7969C(5C)-N	2038	2400	1200	79,698	96,358	8,33 ±0,1	25,4	124	53	5	34	0,280
DC8334C-N	2055	2300	1100	83,340	100,000	8,33 ±0,1	25,4	132	55	—	34	0,270
DC8729A-N	1250	2200	1100	87,290	103,960	8,33 ±0,1	16,0	134	58	—	34	0,165
DC10323A(5C)*-N	1612	1800	900	103,231**	119,891	8,33 ±0,1	16,0	155	68	5	40	0,205
DC12334C*-N	4800	1500	750	123,340**	140,000	8,33 ±0,1	25,4	184	80	—	50	0,400
DC12388C(11C)	4875	1500	750	123,881	142,880	9,50 ±0,1	25,4	186	80	11	44	0,400

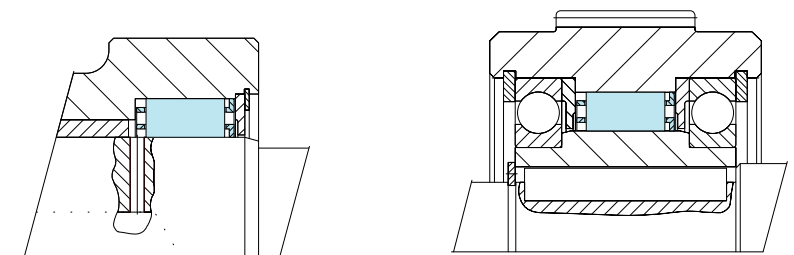
NOTES

- 1) $T_{max} = 2 \times T_{KN}$
» Refer to Selection page 12 to 19
- 2) Inner race overruns
- 3) Outer race overruns
- *) The inner cage centering flange is on the opposite side
- **) Extension of tolerance to $\pm 0,013$ permissible

Other dimensions on request

» Refer to mounting and maintenance instructions page 16 to 19

MOUNTING EXAMPLES



DC-RACES



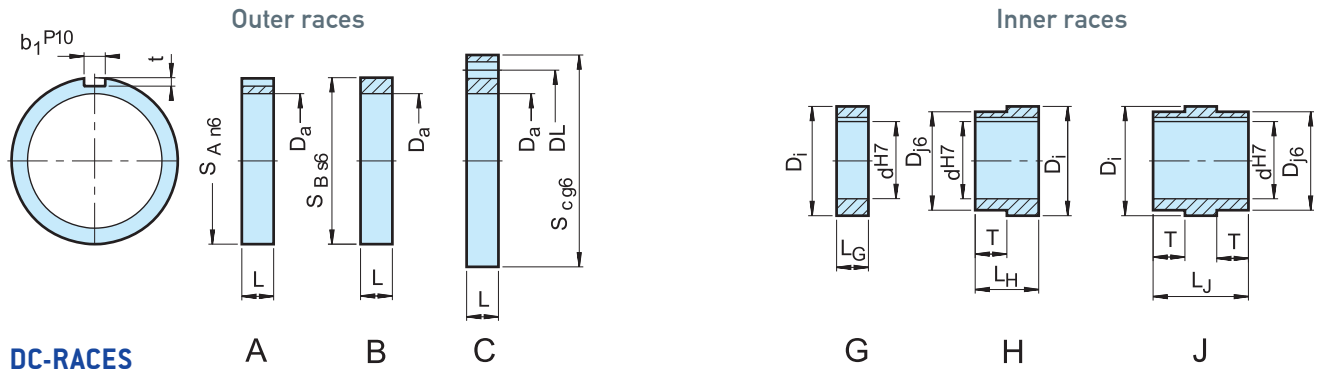
TYPE



DC races are offered for use with the DC freewheel cages shown on the previous pages. The cage and race assembly, makes a non-bearing supported freewheel.

Bearing support for axial and radial loads must be provided, along with lubrication and sealing. The sprag space tolerance must not be exceeded when all bearing clearances and mounting tolerances are considered, (» see table page 43).

Taper between races should be below 0,007 mm for 25 mm width. Outer races type A and B should be pressed into housings that will not deform after assembly. Please contact our technical department if you need to transmit maximum freewheel torque capacity with A and G type. Key stresses may have to be checked.



DC-RACES

1) Keyway to DIN 6885.1

Size																Number of holes × ø	Corresponding DC Type
	d_{H7} (mm)	L_6 (mm)	L_H (mm)	L_J (mm)	D_{j6} (mm)	T (mm)	$D_i^{+0.008}$ -0.005 (mm)	L (mm)	S_{An6} (mm)	b_1^{P10}	t	$S_{B s6}$	$S_{C g6}$ (mm)	$DL_{\pm 0.1}$ (mm)		$D_s \pm 0.013$ (mm)	
DC 230A								16	72	6	3.5						
DC 230B								16				72					54,752
DC 230C								16					95	78	8 × 7		54,752
DC 230 G-10	10	16						38,092									
DC 230 G-15	15	16						38,092									
DC 230 G-20	20	16						38,092									
DC 230 H-10	10		33		35	17		38,092									
DC 230 H-15	15		33		35	17		38,092									
DC 230 H-20	20		33		35	17		38,092									
DC 230 J-10	10			50	35	17		38,092									
DC 230 J-15	15			50	35	17		38,092									
DC 230 J-20	20			50	35	17		38,092									
DC 167A								16	90	10	5						71,425
DC 167B								16				90					71,425
DC 167C								16					110	95	8 × 9		71,425
DC 167G-25	25	16						54,765									
DC 167G-30	30	16						54,765									
DC 167G-35	35	16						54,765									
DC 167H-25	25		35		50	19		54,765									
DC 167H-30	30		35		50	19		54,765									
DC 167H-35	35		35		50	19		54,765									
DC 167J-25	25			54	50	19		54,765									
DC 167J-30	30			54	50	19		54,765									
DC 167J-35	35			54	50	19		54,765									
DC 168A								21	110	14	5.5						88,877
DC 168B								21				110					88,877
DC 168C								21					140	120	8 × 11		88,877
DC 168G-40	40	21						72,217									
DC 168G-45	45	21						72,217									
DC 168G-50	50	21						72,217									
DC 168H-40	40		42		65	21		72,217									
DC 168H-45	45		42		65	21		72,217									
DC 168H-50	50		42		65	21		72,217									
DC 168J-40	40			63	65	21		72,217									
DC 168J-45	45			63	65	21		72,217									
DC 168J-50	50			63	65	21		72,217									
DC 235A								16	150	20	7.5						119,891
DC 235B								16				150					119,891
DC 235C								16					190	170	8 × 11		119,891
DC 235G-55	55	16						103,231									
DC 235G-60	60	16						103,231									
DC 235G-75	75	16						103,231									
DC 235H-55	55		43		100	27		103,231									
DC 235H-60	60		43		100	27		103,231									
DC 235H-75	75		43		100	27		103,231									
DC 235J-55	55			70	100	27		103,231									
DC 235J-60	60			70	100	27		103,231									

NFR

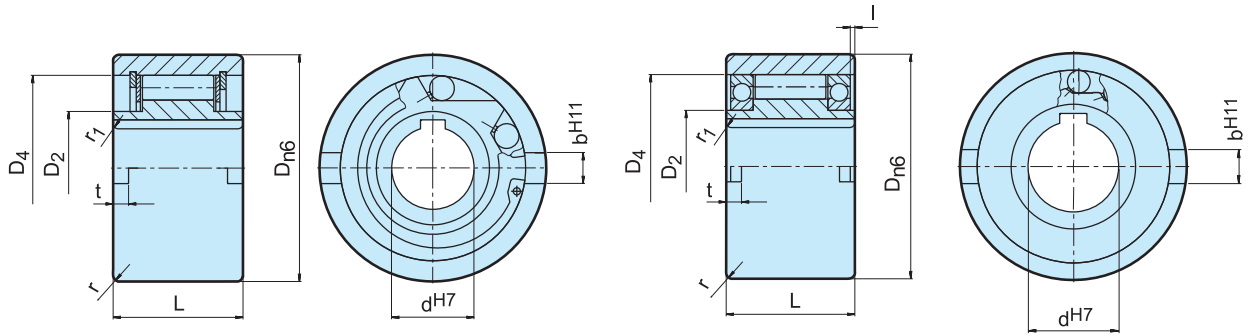
TYPE



Type NFR is a bearing supported roller type freewheel without any sealing. Lubrication and sealing must be provided by the installation. Standard lubrication is oil.

Size 8 to 20 units use steel on steel bearing support from the inner race. Above size 25, two 160.. series ball bearings are used, giving a higher overrunning speed capacity. A typical arrangement is shown overleaf.

The inner race is keyed to the shaft. The outer race has a positive n6 tolerance to give a press fit in a housing to H7. Additional side notches provide for positive torque transmission. The housing must be strong enough to not expand after assembly.



NFR 8-20*

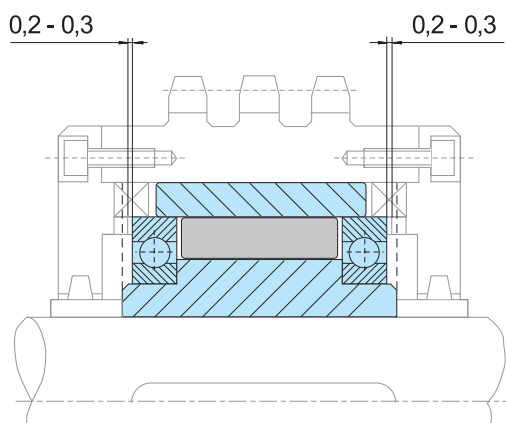
NFR 25-130**

Type	Size	Overrunning speeds			Bearing										Weight
		$T_{KN}^{1)}$ [Nm]	$n_{max}^{2)}$ [min ⁻¹]	$n_{amax}^{3)}$ [min ⁻¹]		D_{n6} [mm]	D_2 [mm]	D_4 [mm]	L [mm]	l [mm]	t [mm]	b^{H11} [mm]	r [mm]	r_1 [mm]	
NFR (ANR-ANG)	8	20	1000	1000	*	37	20	30	20		3	6	1	1.5	0.1
	12	20	1000	1000	*	37	20	30	20		3	6	1	1.5	0.1
	15	78	850	850	*	47	26	37	30		3.5	7	1.5	1.5	0.3
	20	188	650	650	*	62	37	52	36		3.5	8	2	2	0.6
	25	250	2100	3600	16008**	80	40	68	40	0.2	4	9	2.5	2	1.2
	30	500	1700	3200	16009**	90	45	75	48	0.2	5	12	2.5	2	1.8
	35	663	1550	3000	16010**	100	50	80	53	1.2	6	13	2.5	2.5	2.4
	40	1100	1150	2600	16011**	110	55	90	63	2.2	7	15	3	2.5	3.3
	45	1500	1000	2400	16012**	120	60	95	63	2.2	7	16	3	2.5	4.0
	50	2375	800	2150	16014**	130	70	110	80	2.7	8.5	17	3.5	3	5.7
	55	2550	750	2000	16015**	140	75	115	80	4.2	9	18	3.5	3	6.5
	60	4250	650	1900	16016**	150	80	125	95	3.2	9	18	3.5	3.5	8.9
	70	5875	550	1750	16018**	170	90	140	110	1.1	9	20	3.5	3.5	13.5
	80	10000	500	1600	16021**	190	105	160	125	0	9	20	4	3.5	19.0
	90	17250	450	1450	16024**	215	120	180	140	0.6	11.5	24	4	4	27.2
100	19625	350	1250	16028**	260	140	210	150	2.6	14.5	28	4	4	44.5	
130	34750	250	1000	16032**	300	160	240	180	2	17.5	32	5	5	68.0	

NOTES

- 1) $T_{max} = 2 \times T_{KN}$
» Refer to Selection page 10 to 13
- 2) Inner race overruns
- 3) Outer race overruns
Keyway to DIN 6885.1
- *) With plain bearing steel on steel
- **) With 2 ball bearings series 160.
- » Refer to mounting and maintenance instructions page 16 to 19

MOUNTING EXAMPLE



RSBW

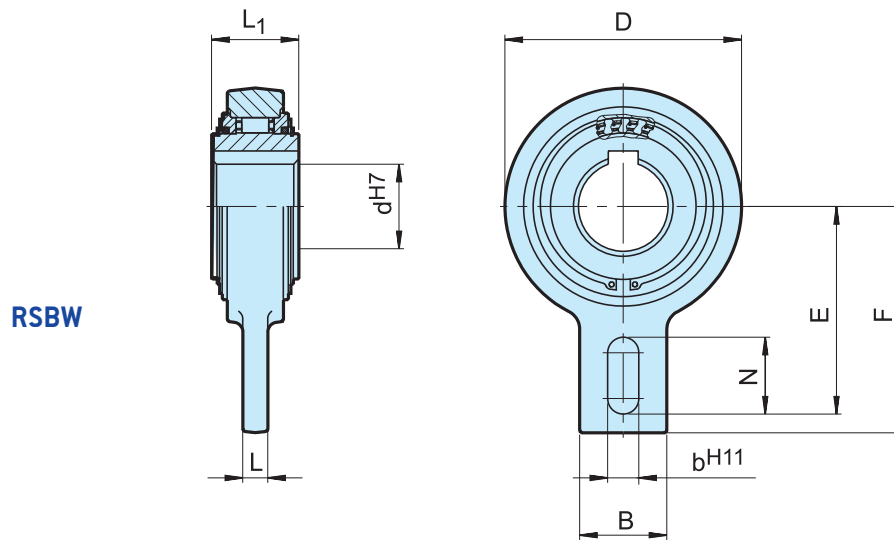
TYPE



Type RSBW is a DC sprag type freewheel. It is self-contained, centered by plain bearings for low rotational speeds and sealed using shield protected O Rings.

Unit is delivered grease lubricated ready for installation in either a horizontal or vertical position. Primarily used as a backstop, this type provides a high torque capacity with a minimum space requirement.

The design allows installation in difficult environments such as high humidity or water splash areas. A bolt, secured to a fixed part of the machine and passing through the slot in the torque arm, provides the rotational stop. Radial clearance on this bolt should be equal to 1–3 % of the slot width. The torque arm and the bearings must not be prestressed.



Type	Size	Overrunning speed										Weight (kg)
		$T_{KN}^{1)}$ (Nm)	n_{max} (min ⁻¹)	D (mm)	L_1 (mm)	F (mm)	E (mm)	B (mm)	N (mm)	L (mm)	b^{H11} (mm)	
RSBW	20	375	400	106	35	113	102,5	40	35	15	18	2
	25	606	400	106	48	113	102,5	40	35	15	18	2,6
	30	606	400	106	48	113	102,5	40	35	15	18	2,5
	35M	375	400	106	35	113	102,5	40	35	15	18	2
	35	606	400	106	48	113	102,5	40	35	15	18	2,4
	40	1295	300	132	52	125	115	60	35	15	18	4,6
	45	1295	300	132	52	125	115	60	35	15	18	4,5
	50	1295	300	132	52	125	115	60	35	15	18	4,5
	55	1295	300	132	52	125	115	60	35	15	18	4,4
	60	2550	250	161	54	140	130	70	35	15	18	6,5
	70	2550	250	161	54	140	130	70	35	15	18	6,4
	80	4875	200	190	70	165	150	70	45	20	25	9,9
	90	4875	200	190	70	165	150	70	45	20	25	9,8

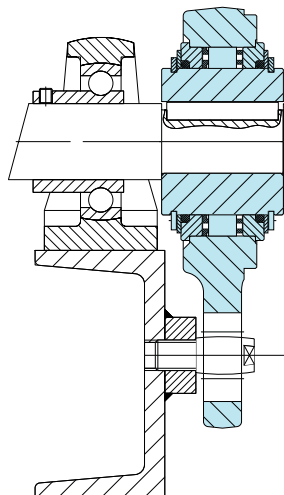
NOTES

- 1) $T_{max} = 2 \times T_{KN}$
 » Refer to Selection page 10 to 13

Keyway to DIN 6885.1

- » Refer to mounting and maintenance instructions
 page 16 to 19

MOUNTING EXAMPLE



AV

TYPE

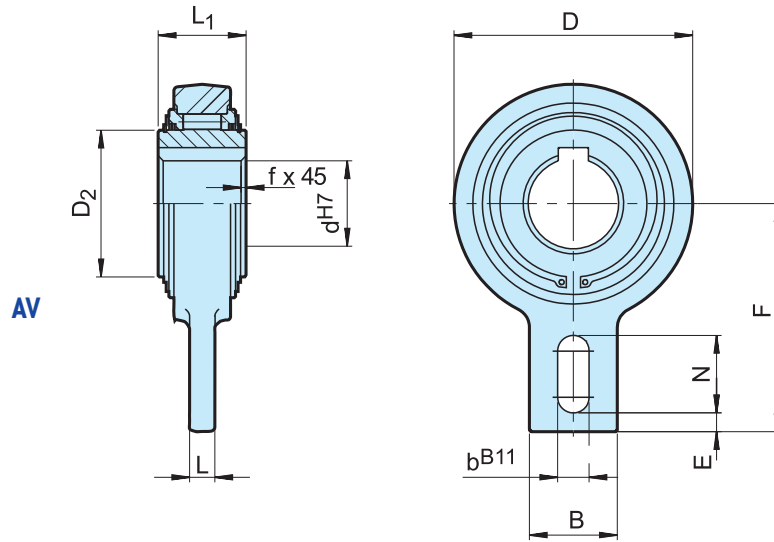


Type AV is a roller type freewheel. It is self-contained, centered by plain bearings for low rotational speeds, and sealed using shield protected metallic labyrinth seals

Unit is delivered grease lubricated, ready to install in a horizontal or vertical position. Primarily used as a backstop, the torque capacity is high for a minimum space requirement. This design is suitable for use in difficult environments. A bolt, secured to a fixed part of the

machine and passing through the slot in the torque arm, provides the rotational stop. Radial clearance on this bolt should be equal to 1–3 % of the slot width.

The torque arm and the bearings must not be prestressed. The roller design makes the AV type ideal for light indexing applications.



Type	Size	Overrunning speed											Weight	Drag torque	
		d^{H7} [mm]	$T_{KN}^{1)}$ [Nm]	n_{max} [min ⁻¹]	D [mm]	D ₂ [mm]	L ₁ [mm]	L [mm]	B [mm]	F [mm]	b ^{B11} [mm]	N [mm]			E [mm]
AV	20	265	450	83	42	35	12	40	90	15	35	5	0,8	1,3	18
	25	265	450	83	42	35	12	40	90	15	35	5	0,8	1,3	18
	30	1200	320	118	60	54	15	40	110	15	35	8	1	3,5	130
	35	1200	320	118	60	54	15	40	110	15	35	8	1	3,4	130
	40	1200	320	118	60	54	15	40	110	15	35	8	1	3,3	130
	45	2150	280	155	90	54	20	80	140	18	47	10	1	5,5	240
	50	2150	280	155	90	54	20	80	140	18	47	10	1	5,4	240
	55	2150	280	155	90	54	20	80	140	18	47	10	1	5,3	240
	60	2150	280	155	90	54	20	80	140	18	47	10	1	5,2	240
	70	2150	280	155	90	54	20	80	140	18	47	10	1	5,0	240
	80	2900	200	190	110	64	20	80	155	20	40	10	1,5	8,7	360
	90*	7125	150	260	160	90	25	120	220	-	-	-	3	24,5	360
	100*	7125	150	260	160	90	25	120	220	-	-	-	3	23,5	360
	110*	7125	150	260	160	90	25	120	220	-	-	-	3	22,5	360
	120*	11000	130	300	180	110	30	140	260	-	-	-	3	42	600

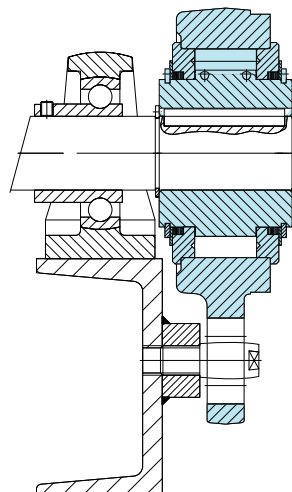
NOTES

1) $T_{max} = 2 \times T_{KN}$
 » Refer to Selection page 10 to 13
 Keyway to DIN 6885.1

*) 2 Keyways 120° offset

» Refer to mounting and maintenance instructions
 page 16 to 19

MOUNTING EXAMPLE



AL ALP



TYPE



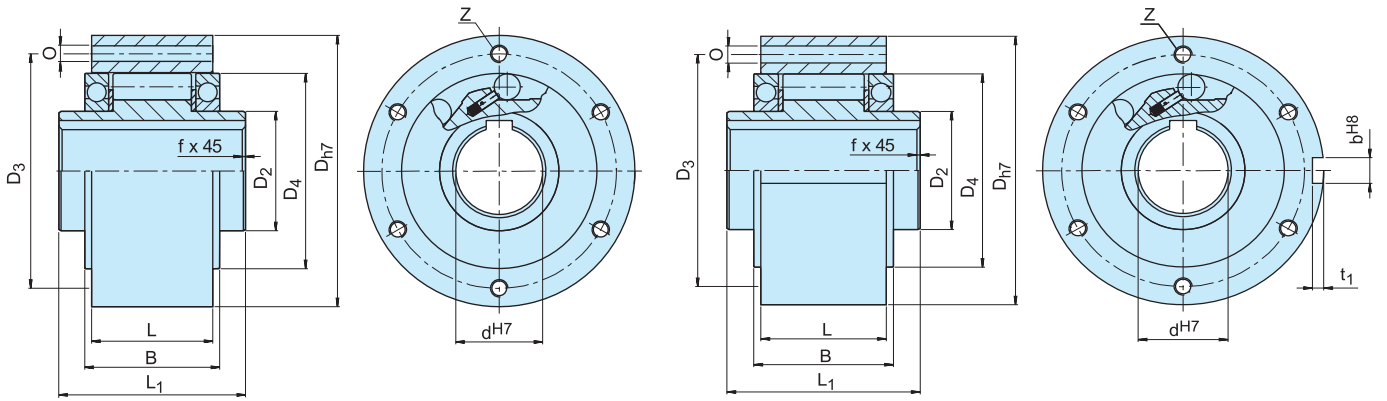
AL

ALP

Types AL, ALP are roller type freewheels. These units are part of the Stieber modular system. They are bearing supported, using two 160.. series bearings, and require oil lubrication. These units may be used in designs providing oil lubrication and sealing as on the example overleaf.

The bearings must not be axially stressed. Typically, types AL, ALP are used with standard covers that are designed to transmit torque, and provide oil lubrication

and sealing. Usually these covers are used in pairs according to combinations shown on the following pages. The outer race of the AL model is plain to receive and center any component bored to H7 tolerance. Torque is transmitted by bolts through the cover plate in this case. Types AL, ALP are identical except that type ALP has a keyway on the outside diameter to transmit the torque. Two paper seals are delivered with each unit to be placed between the outer race and cover plates.



AL

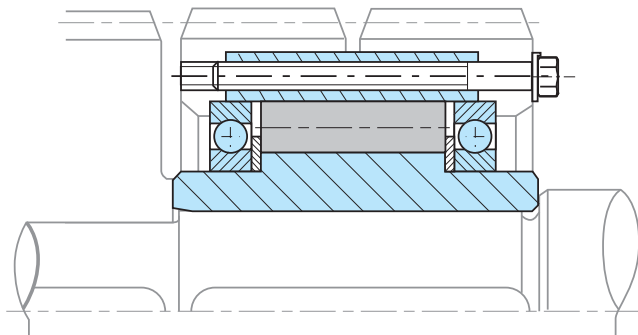
ALP

Type	Size	Overrunning speeds				Number											Weight	Drag torque
		$T_{KN}^{1)}$ [Nm]	$n_{max}^{2)}$ [min ⁻¹]	$n_{amax}^{3)}$ [min ⁻¹]	D_{h7} [mm]	D_2 [mm]	D_4 [mm]	D_3 [mm]	0	z	L ¹⁾ [mm]	L ⁴⁾ [mm]	B [mm]	t ₁ [mm]	b ^{H8} [mm]	f [mm]		
AL ALP	12	55	4000	7200	62	20	42	51	5,5	3	42	20,3	27	2,4	4	0,5	0,5	3,4
	15	125	3600	6500	68	25	47	56	5,5	3	52	30,3	34,1	2,9	5	0,8	0,8	4,1
	20	181	2700	5600	75	30	55	64	5,5	4	57	34,3	39,1	3,5	6	0,8	1,0	8
	25	288	2100	4500	90	40	68	78	5,5	6	60	37,3	42,1	4,1	8	1,0	1,5	14
	30	500	1700	4100	100	45	75	87	6,6	6	68	44,3	49,1	4,1	8	1,0	2,2	23
	35	725	1550	3800	110	50	80	96	6,6	6	74	48,3	54,1	4,7	10	1,0	3,0	60
	40	1025	1150	3400	125	55	90	108	9	6	86	56,3	62,1	4,9	12	1,5	4,6	72
	45	1125	1000	3200	130	60	95	112	9	8	86	56,3	62,1	5,5	14	1,5	4,7	140
	50	2125	800	2800	150	70	110	132	9	8	92	63,3	69,1	5,5	14	1,5	7,2	180
	55	2625	750	2650	160	75	115	138	11	8	104	67	73,1	6,2	16	2,0	8,6	190
	60	3500	650	2450	170	80	125	150	11	10	114	78	84	6,8	18	2,0	10,5	240
	70	5750	550	2150	190	90	140	165	11	10	134	95	103	7,4	20	2,5	13,5	320
	80	8500	500	1900	210	105	160	185	11	10	144	100	108	8,5	22	2,5	18,2	330
	90	14500	450	1700	230	120	180	206	14	10	158	115	125	8,7	25	3,0	28,5	650
	100	20000	350	1450	270	140	210	240	18	10	182	120	131	9,9	28	3,0	42,5	830
	120	31250	250	1250	310	160	240	278	18	12	202	140	152	11,1	32	3,0	65,0	1080
150	70000	200	980	400	200	310	360	22	12	246	180	196	12,3	36	4,0	138,0	1240	
200	175000	150	750	520	260	400	460	26	18	326	240	265	15	45	5,0	315,0	3800	
250	287500	120	620	610	320	480	545	33	20	396	300	330	15	45	5,0	512,0	6100	
ALM	25	388	2100	2800	90	40	68	78	5,5	6	60	37,3	42,1	4,1	8	1,0	1,7	22
	30	588	1700	2500	100	45	75	87	6,6	6	68	44,3	49,1	4,1	8	1,0	2,5	37
	35	838	1550	2400	110	50	80	96	6,6	6	74	48,3	54,1	4,7	10	1,0	3,2	66

NOTES

- 1) $T_{max} = 2 \times T_{KN}$
» Refer to Selection page 10 to 13
- 2) Inner race overruns, values without lip seals
- 3) Outer race overruns
Keyway to DIN 6885.1
- 4) The dimension L includes up to size 50 the each 0.25 mm thick paper seals to be located on both faces
» Refer to mounting and maintenance instructions page 16 to 19

MOUNTING EXAMPLE



AL..F2D2 AL..F4D2



Back of
AL..F2D2

Back of
AL..F4D2

TYPE



AL..F2D2

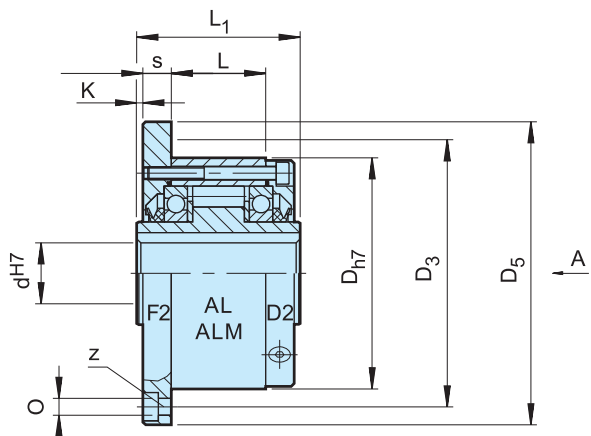
AL..F4D2

Types AL..F2D2/F4D2 are roller type freewheels, self-contained, sealed and bearing supported, using two 160.. series bearings. Units are delivered oil lubricated.

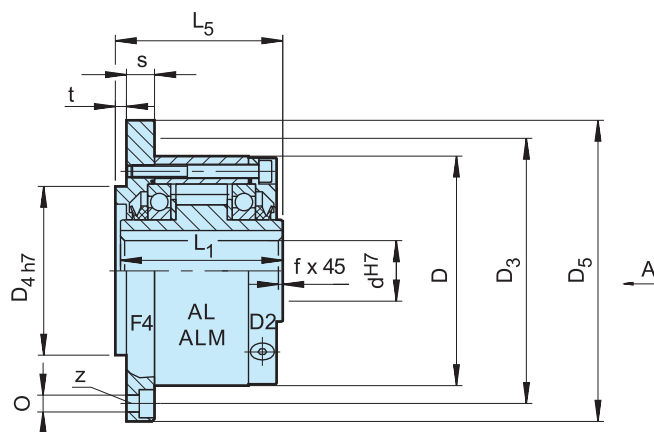
Primarily used as overrunning or indexing clutches, the cover combination is chosen according to the type of drive, as shown overleaf. D2 cover is used to close the unit.

It is equipped with two screws for oil filling, drain and level. The shaft seal is a V-ring type. Cover and seal have been designed to be oil proof with minimum drag torque.

We recommend the unit is supplied assembled. Please specify inner race direction of rotation seen from the D2 flange.



AL..F2D2



AL..F4D2

Type	Size	Overrunning speeds															Weight	Drag torque
		$d_{H7}^{(1)}$ [mm]	$T_{KN}^{(1)}$ [Nm]	$n_{imax}^{(2)}$ [min ⁻¹]	$n_{amax}^{(3)}$ [min ⁻¹]	D_{h7} [mm]	L_1 [mm]	D_5 [mm]	D_3 [mm]	z	O [mm]	D_{4h7} [mm]	t [mm]	L_5 [mm]	K [mm]	s [mm]		
AL..F2D2 AL..F4D2	12	55	2500	7200	62	42	85	72	3	5,5	42	3	44	0,5	10,3	0,5	0,9	11
	15	125	1900	6500	68	52	92	78	3	5,5	47	3	54	0,5	10,3	0,8	1,3	15
	20	181	1600	5600	75	57	98	85	4	5,5	55	3	59	0,5	10,8	0,8	1,7	18
	25	288	1400	4500	90	60	118	104	6	6,6	68	3	62	0,5	10,5	1	2,6	36
	30	500	1300	4100	100	68	128	114	6	6,6	75	3	70	0,5	11,3	1	3,5	48
	35	725	1100	3800	110	74	138	124	6	6,6	80	3,5	76	1	11,8	1	4,5	60
	40	1025	950	3400	125	86	160	142	6	9	90	3,5	88	1	13,8	1,5	6,9	84
	45	1125	900	3200	130	86	165	146	8	9	95	3,5	88	1	13,8	1,5	7,1	94
	50	2125	850	2800	150	92	185	166	8	9	110	4	94	1	12,8	1,5	10,1	128
	55	2625	720	2650	160	104	204	182	8	11	115	4	106	1,5	16,8	2	13,1	150
	60	3500	680	2450	170	114	214	192	10	11	125	4	116	1,5	16,3	2	15,6	160
	70	5750	580	2150	190	134	234	212	10	11	140	4	136	1,5	17,8	2,5	20,4	360
	80	8500	480	1900	210	144	254	232	10	11	160	4	146,3	1,5	20,3	2,5	26,7	360
	90	14500	380	1700	230	158	278	254	10	14	180	4,5	161	1,5	20	3	39	680
	100	20000	350	1450	270	182	335	305	10	18	210	5	184	2,5	28	3	66	880
	120	31250	250	1250	310	202	375	345	12	18	240	5	204	2,5	28,5	3	91	1200
	150	70000	180	980	400	246	485	445	12	22	310	5	249	2,5	31	4	186	1350
200	175000	120	750	520	326	625	565	18	26	400	5	328	3	40	5	425	4200	
250	287500	100	620	610	396	740	680	20	33	480	5	398	3	45	5	680	6500	
ALM..F2D2 ALM..F4D2	25	388	1100	2800	90	60	118	104	4	6,6	68	3	62	0,5	10,5	1	2,7	41
	30	588	1000	2500	100	68	128	114	6	6,6	75	3	70	0,5	11,3	1	3,65	64
	35	838	900	2400	110	74	138	124	6	6,6	80	3,5	76	1	11,8	1	4,7	76

NOTES

1) $T_{max} = 2 \times T_{KN}$
» Refer to Selection page 10 to 13

2) Inner race overruns

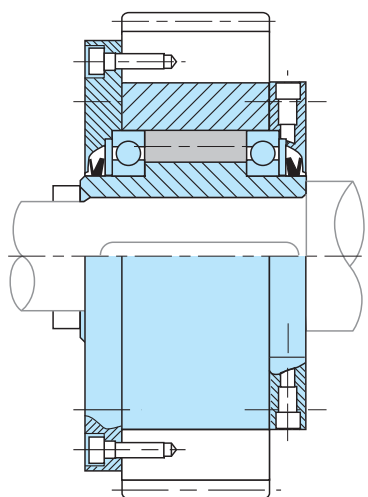
3) Outer race overruns
Keyway to DIN 6885.1

When ordering, please specify direction of rotation seen from arrow

A": „R“ Inner race overruns in clockwise direction..L“ Inner race overruns in counterclockwise

» Refer to mounting and maintenance instructions page 16 to 19

MOUNTING EXAMPLE



ALP..F7D7 ALMP..F7D7



TYPE

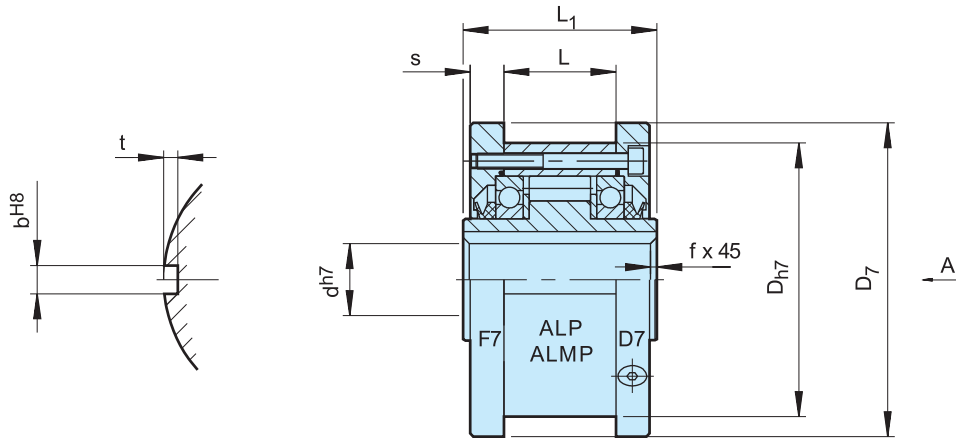


Type ALP..F7D7 is a roller type freewheel, self-contained, sealed and bearing supported using two 160.. series bearings. Unit is not delivered oil lubricated.

This cover combination is mostly used as an overrunning or indexing clutch as shown overleaf. A keyway is machined on the outer race for the connection to the drive or driven member centered on its outside.

D7 cover is used to close the unit. It is equipped with two screws for oil filling, drain and level. The shaft seal is a V-ring type. Cover and seal have been designed to be oil proof with minimum drag torque.

ALP..F7D7



Type	Size	Overrunning speeds ⁿ											Weight	Drag torque
		$T_{KN}^{1)}$	$n_{imax}^{2)}$	$n_{amax}^{3)}$	D_{h7}	L_1	D_7	s	L	b^{H8}	t	f		
	d_{h7}	[Nm]	[min ⁻¹]	[min ⁻¹]	[mm]	[mm]	[mm]	[mm]	[mm]	[mm]	[mm]	[mm]	[kg]	[Ncm]
ALP..F7D7	12	55	2500	7200	62	42	70	10,4	20	4	2,4	0,5	1,0	11
	15	125	1900	6500	68	52	76	11,4	28	5	2,9	0,8	1,4	15
	20	181	1600	5600	75	57	84	10,9	34	6	3,5	0,8	1,9	18
	25	288	1400	4500	90	60	99	11,9	35	8	4,1	1	2,8	36
	30	500	1300	4100	100	68	109	11,9	43	8	4,1	1	3,7	45
	35	725	1100	3800	110	74	119	13,4	45	10	4,7	1	4,7	60
	40	1025	950	3400	125	86	135	15,4	53	12	4,9	1,5	7,1	84
	45	1125	900	3200	130	86	140	15,4	53	14	5,5	1,5	7,4	94
	50	2125	850	2800	150	92	160	12,9	64	14	5,5	1,5	10,4	128
	55	2625	720	2650	160	104	170	17,5	66	16	6,2	2	13,4	150
	60	3500	680	2450	170	114	182	16,5	78	18	6,8	2	15,9	160
	70	5750	580	2150	190	134	202	18	95	20	7,4	2,5	20,8	360
	80	8500	480	1900	210	144	222	20,5	100	22	8,5	2,5	27,1	360
	90	14500	380	1700	230	158	242	20	115	25	8,7	3	39,4	680
	100	20000	350	1450	270	182	282	28,5	120	28	9,9	3	66,4	880
	120	31250	250	1250	310	202	322	22,5	152	32	11,1	3	91,5	1200
	150	70000	180	980	400	246	412	31	180	36	12,3	4	187	1350
200	175000	120	750	520	326	540	40	240	45	15	5	430	4200	
250	287500	100	620	610	396	630	45	300	45	15	5	688	6500	
ALMP F7D7	25	388	1100	2800	90	60	99	11,9	35	8	4,1	1	2,9	41
	30	588	1000	2500	100	68	109	11,9	43	8	4,1	1	3,85	64
	35	838	900	2400	110	74	119	13,4	45	10	4,7	1	4,9	76

NOTES

1) $T_{max} = 2 \times T_{KN}$
» Refer to Selection page 10 to 13

2) Inner race overruns

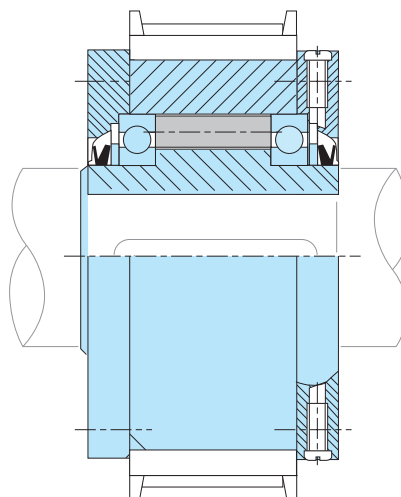
3) Outer race overruns

Keyway to DIN 6885.1

When ordering, please specify direction of rotation seen from arrow „A“: „R“ Inner race overruns in clockwise direction, „L“ Inner race overruns in counterclockwise direction

» Refer to mounting and maintenance instructions page 16 to 19

MOUNTING EXAMPLE



AL..KEED2

Back of
AL..KEED2

TYPE

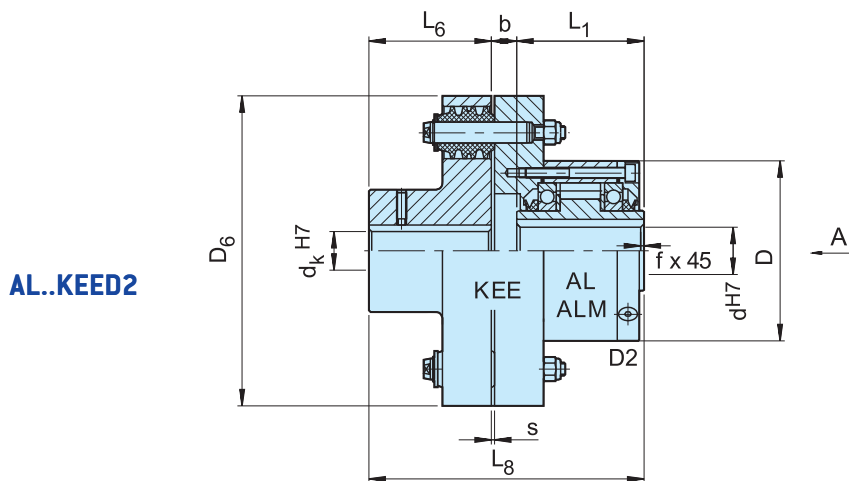


Type AL..KEED2 is a roller type freewheel, self-contained, sealed and bearing supported, using two 160.. series bearings. Unit is delivered oil lubricated.

This combination is used as overrunning clutch as shown overleaf. In this design, a standard AL freewheel is connected to a flexible coupling for in-line mounting.

The KEE type is a high performance coupling used to damp torsional vibrations and to accept misalignment

without excess bearing loads. D2 cover is used to close the unit. It is equipped with two screws for oil filling, drain and level. We recommend the unit is supplied assembled. Please specify inner race direction of rotation seen from the D2 flange. Refer to manufacturer's catalogue to check coupling selection.



AL..KEED2

Type	Size	Overrunning speeds											Weight		
		KEE	T_{KN} [Nm]	$n_{imax}^{1)}$ [min ⁻¹]	$n_{amax}^{2)}$ [min ⁻¹]	d_k^{H7} [mm]	D [mm]	L_1 [mm]	D_6 [mm]	L_6 [mm]	L_8 [mm]	b [mm]		s [mm]	f [mm]
AL..KEED2	12	2	55	2500	6000	12...25	62	42	97	35	90	13	3	0,5	3
	15	3	122	1900	6000	16...30	68	52	112	40	110	18	3	0,8	4,4
	20	3	122	1600	5600	16...30	75	57	112	40	114,5	17,5	3	0,8	4,6
	25	4	288	1400	4500	20...40	90	60	130	50	127,5	17,5	3	1	6,4
	30	5	500	1300	4100	20...50	100	68	160	60	148	20	2	1	11
	35	6	725	1100	3800	25...65	110	74	190	75	168	19	2	1	17
	40	6	1025	950	3400	25...65	125	86	190	75	178	17	2	1,5	19
	45	6	1050	900	3200	25...65	130	86	190	75	178	17	2	1,5	19
	50	7	1750	850	2800	30...75	150	92	225	90	207	25	2,5	1,5	31
	55	8	2625	720	2650	35...90	160	104	270	100	233,5	29,5	3	2	47
	60	8	2750	680	2450	35...90	170	114	270	100	244	30	3	2	49
	70	10	5750	580	2150	45...110	190	134	340	140	312,5	38,5	3	2,5	90
	80	11	8500	480	1900	55...125	210	144	380	160	340	36	3	2,5	107
	90	12	13750	380	1700	65...140	230	158	440	180	388	50	3,5	3	170
	100	14	20000	350	1450	75...160	270	182	500	200	422,5	40,5	3,5	3	230
	120	16	30000	250	1250	85...180	310	202	560	220	471	49	4	3	330
	150	18	43750	180	980	95...200	400	246	640	250	543	47	4	4	500
200	22	97500	120	750	125...250	520	326	880	320	700,5	54,5	4,5	5	965	
250	28	250000	100	620	160...320	610	396	1160	400	868	72	5	5	1725	
ALM..KEED2	25	4	288	1100	2800	20...40	90	60	130	50	127,5	17,5	3	1	6,4
	30	5	588	1000	2500	20...50	100	68	160	60	148	20	2	1	11
	35	6	838	900	2400	25...65	110	74	190	75	168	19	2	1	17

NOTES

1) Inner race overrunst

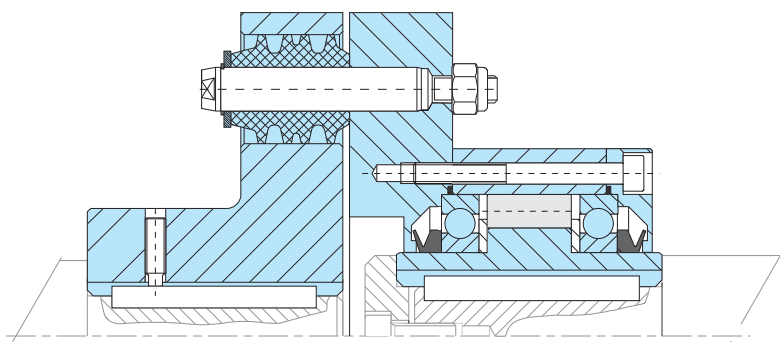
2) Outer race overruns

Keyway to DIN 6885.1

When ordering, please specify bore $\varnothing d_k$ and direction of rotation seen from arrow „A“: „R“ Inner race overruns in clockwise direction, „L“ Inner race overruns in counter-clockwise direction

» Refer to mounting and maintenance instructions page 16 to 19

MOUNTING EXAMPLE



AL..KMSD2



Back of
AL..KMSD2

TYPE



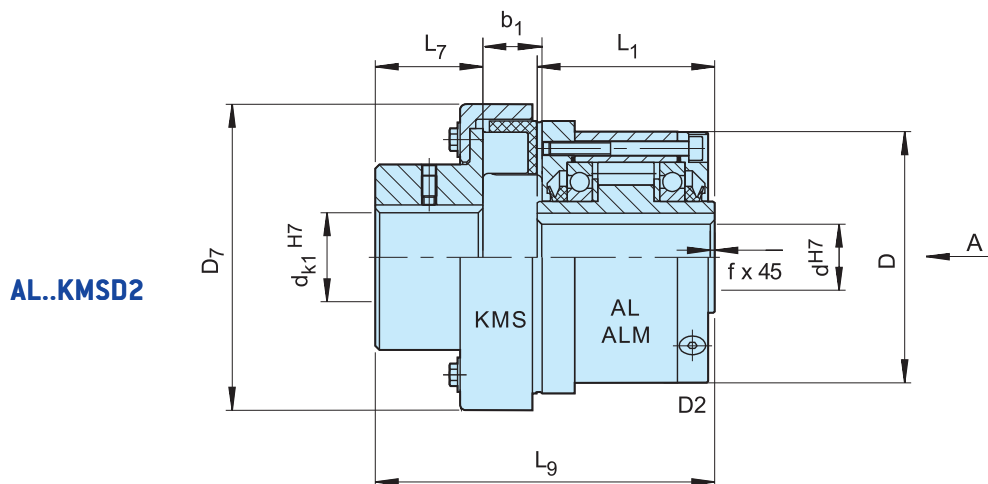
Type AL..KMSD2 is a roller type freewheel, self-contained, sealed and bearing supported, using two 160.. series bearings. Unit is delivered oil lubricated. This combination is used as overrunning clutch as shown overleaf.

In this design, a standard AL freewheel is connected to a KMS flexible coupling for in-line mounting. The KMS type is a rugged coupling, economical and suitable for

many applications. D2 cover is used to close the unit. It is equipped with two screws for oil filling, drain and level. We recommend the unit is supplied assembled.

Please specify inner race direction of rotation seen from the D2 flange. Refer to manufacturer's catalogue to check coupling selection.

Coupling half: keyway tolerance P9



Type	Size	KMS	T_{KN} (Nm)	Overrunning speeds								Weight (kg)	
				$n_{imax}^{1)}$ [min ⁻¹]	$n_{amax}^{2)}$ [min ⁻¹]	d_{k1}^{H7} [mm]	D [mm]	L_1 [mm]	D_7 [mm]	L_7 [mm]	L_9 [mm]		b_1 [mm]
AL..KMSD2	12	4	50	2500	6000	7... 35	62	42	78	40	100	18	2.10
	15	6.3	79	1900	6000	12... 40	68	52	90	45	116	20	2.70
	20	10	125	1600	5600	10... 45	75	57	117	48	123.5	17	3.80
	25	10	125	1400	4500	10... 45	90	60	117	48	126.5	17	4.4
	30	16	200	1300	4100	10... 50	100	68	129	52	140	19	5.9
	35	25	313	1100	3800	15... 55	110	74	134	57	155	22	8.1
	40	40	500	950	3400	20... 60	125	86	155	61	173	26	11.4
	45	63	788	900	3200	20... 70	130	86	175	67	186	30	13.3
	50	100	1250	850	2800	25... 75	150	92	196	75	208.5	35	19.1
	55	100	1250	720	2650	25... 75	160	104	196	75	216.5	35	20.4
	60	160	2000	680	2450	30... 80	170	114	223	82	243	41	27.1
	70	250	3125	580	2150	35... 90	190	134	252	89	277.5	47	40.4
	80	400	5000	480	1900	45... 100	210	144	290	97	305	56	57
	90	630	7875	380	1700	60... 120	230	158	330	116	346.5	64	87
	100	1000	12500	350	1450	75... 140	270	182	378	140	386	75	131
	120	1600	20000	250	1250	90... 160	310	202	432	160	430	85	196
150	On Request												
200	On Request												
250	On Request												
ALM.. KMSD2	25	16	200	1100	2800	12... 50	90	60	117	52	132.5	19	4.4
	30	25	313	1000	2500	15... 55	100	68	129	57	150	22	5.9
	35	40	500	900	2400	18... 60	110	74	134	61	163	26	8.1

NOTES

1) Inner race overruns

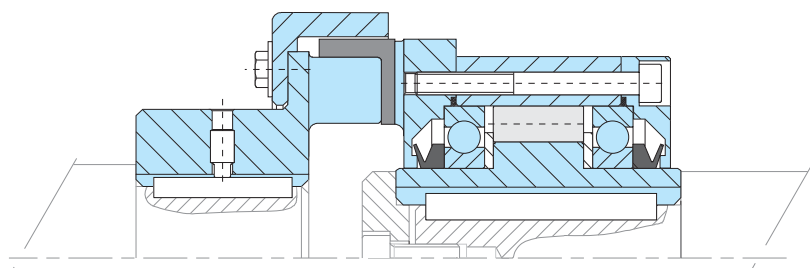
2) Outer race overruns

Keyway to DIN 6885.1

When ordering, please specify bore $\varnothing d_k$ and direction of rotation seen from arrow „A“: „R“ Inner race overruns in clockwise direction, „L“ Inner race overruns in counter-clockwise direction

» Refer to mounting and maintenance instructions page 16 to 19

MOUNTING EXAMPLE



GFR GFRN



TYPE



GFR

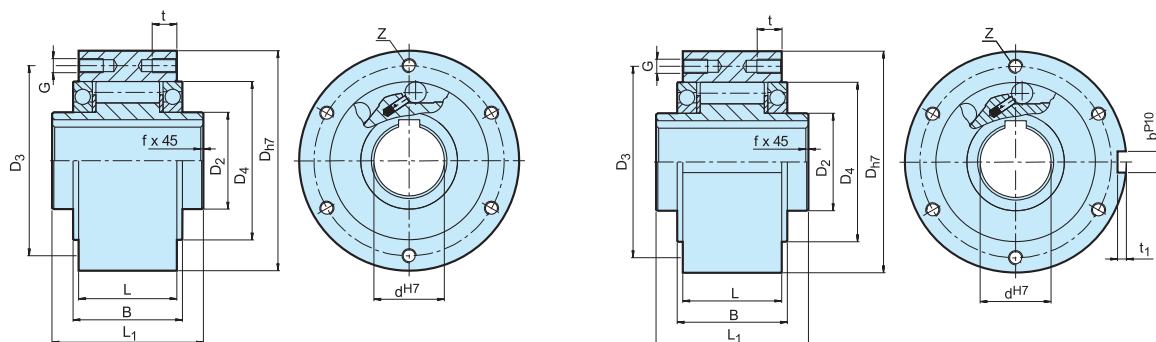
GFRN

Types GFR, GFRN are roller type freewheels. These units are part of the Stieber modular system. They are bearing supported, using two 160.. series bearings, and require oil lubrication. These units may be used in designs providing oil lubrication and sealing as on the example overleaf. The bearings must not be axially stressed.

Typically, types GFR, GFRN are used with the F series covers that are designed to transmit torque, and provide oil lubrication and sealing. Usually these covers are used

in pairs according to combinations shown on the following pages. The outer race of the GFR model is plain to receive and center any component bored to H7 tolerance.

Torque is transmitted by bolts through the cover plate in this case. Types GFR, GFRN are identical except that type GFRN has a keyway on the outside diameter to transmit the torque. Two paper seals are delivered with each unit to be placed between the outer race and cover plates.



GFR

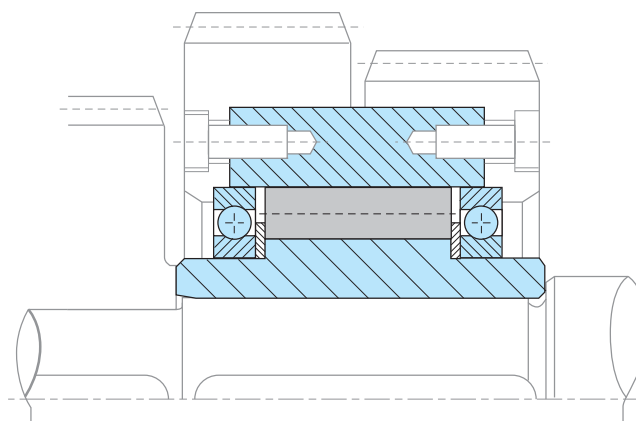
GFRN

Type	Size	Overrunning speeds							Number							Weight		
		d^{H7} [mm]	$T_{KN}^{1)}$ [Nm]	$n_{max}^{2)}$ [min ⁻¹]	$n_{amax}^{3)}$ [min ⁻¹]	D_{H7} [mm]	D_2 [mm]	D_4 [mm]	D_3 [mm]	G	t [mm]	z	L_1 [mm]	L [mm]	B [mm]		t_1 [mm]	b^{P10} [mm]
GFR GFRN	12*	55	4000	7200	62	20	42	51	ø5,5	—	3	42	20	27	2,5	4	0,5	0,5
	15	125	3600	6500	68	25	47	56	M5	8	3	52	28	32	3	5	0,8	0,8
	20	181	2700	5600	75	30	55	64	M5	8	4	57	34	39	3,5	6	0,8	1,0
	25	288	2100	4500	90	40	68	78	M6	10	4	60	35	40	4	8	1,0	1,5
	30	500	1700	4100	100	45	75	87	M6	10	6	68	43	48	4	8	1,0	2,2
	35	725	1550	3800	110	50	80	96	M6	12	6	74	45	51	5	10	1,0	3,0
	40	1025	1150	3400	125	55	90	108	M8	14	6	86	53	59	5	12	1,5	4,6
	45	1125	1000	3200	130	60	95	112	M8	14	8	86	53	59	5,5	14	1,5	4,7
	50	2125	800	2800	150	70	110	132	M8	14	8	94	64	72	5,5	14	1,5	7,2
	55	2625	750	2650	160	75	115	138	M10	16	8	104	66	72	6	16	2,0	8,6
	60	3500	650	2450	170	80	125	150	M10	16	10	114	78	89	7	18	2,0	10,5
	70	5750	550	2150	190	90	140	165	M10	16	10	134	95	108	7,5	20	2,5	13,5
	80	8500	500	1900	210	105	160	185	M10	16	10	144	100	108	9	22	2,5	18,2
	90	14500	450	1700	230	120	180	206	M12	20	10	158	115	125	9	25	3,0	28,5
	100	20000	350	1450	270	140	210	240	M16	24	10	182	120	131	10	28	3,0	42,5
130	31250	250	1250	310	160	240	278	M16	24	12	212	152	168	11	32	3,0	65,0	
150	70000	200	980	400	200	310	360	M20	32	12	246	180	194	12	36	4,0	138,0	

NOTES

- 1) $T_{max} = 2 \times T_{KN}$
» Refer to Selection page 10 to 13
- 2) Inner race overruns. Values without radial lip seals
- 3) Outer race overruns. Values without radial lip seals
Keyway to DIN 6885.1
- *) GFR12 has through holes in outer race
» Refer to mounting and maintenance instructions
page 16 to 19

MOUNTING EXAMPLE



GFR..F1F2 GFR..F2F7 GFRN..F5F6



TYPE



GFRN..F5F6

GFR..F2F7

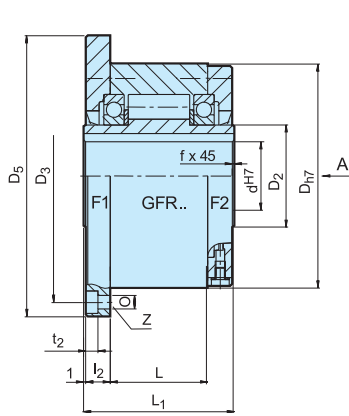
GFR..F1F2

Types GFR..F1F2/F2F7 and GFRN..F5F6 are roller type freewheels, self-contained, sealed and bearing supported, using two 160.. series bearings.

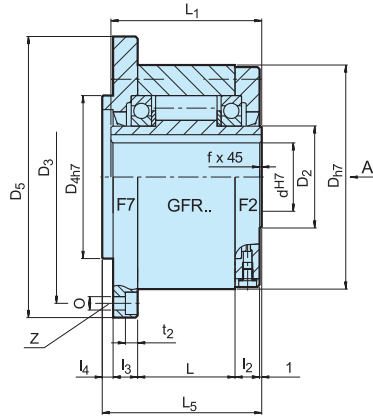
They use the GFR, GFRN base modules described on previous pages. Units must be oil lubricated before use if they are delivered disassembled. Primarily used as overrunning or indexing clutches, the cover combination is chosen according to the type of drive, as shown overleaf.

F2 and F6 covers are used to close the unit. They are equipped with 3 screws for oil filling, drain and level.

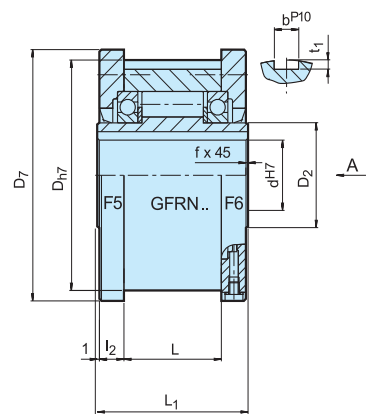
The shaft seal is a standard lip seal. Covers may be easily assembled by a qualified user, allowing direction of rotation to be selected on site. Alternatively, units can be delivered assembled and lubricated (except GFRN.. F5F6).



GFR...F1F2



GFR...F2F7



GFRN...F5F6

Type	Size	Overrunning speeds				Number								Keyway outer race						Weight		
		d_{H7} [mm]	$T_{KN}^{1)}$ [Nm]	$n_{imax}^{2)}$ [min ⁻¹]	$n_{amax}^{3)}$ [min ⁻¹]	D_{H7} [mm]	D_5 [mm]	D_7 [mm]	D_3 [mm]	D_{4H7} [mm]	0 [mm]	t_2 [mm]	z	L_1 [mm]	L_5 [mm]	L [mm]	l_2 [mm]	l_3 [mm]	l_4 [mm]		t_1 [mm]	b^{P10} [mm]
GFR...F1F2, GFR...F2F7, GFRN...F5F6	12	55	3100	4700	62	85	70	72	42	5,5	5,7	3	42	44	20	10	10	3	2,5	4	0,5	1,2
	15	125	2800	4400	68	92	76	78	47	5,5	5,7	3	52	54	28	11	11	3	3	5	0,8	1,6
	20	181	2400	4100	75	98	84	85	55	5,5	5,7	4	57	59	34	10,5	10,5	3	3,5	6	0,8	1,9
	25	288	1600	3800	90	118	99	104	68	6,6	6,8	4	60	62	35	11,5	11,5	3	4	8	1,0	2,9
	30	500	1300	2800	100	128	109	114	75	6,6	6,8	6	68	70	43	11,5	11,5	3	4	8	1,0	3,9
	35	725	1200	2600	110	140	119	124	80	6,6	6,8	6	74	76	45	13,5	13	3,5	5	10	1,0	4,9
	40	1025	850	2300	125	160	135	142	90	9	9	6	86	88	53	15,5	15	3,5	5	12	1,5	7,5
	45	1125	740	2200	130	165	140	146	95	9	9	8	86	88	53	15,5	15	3,5	5,5	14	1,5	7,8
	50	2125	580	1950	150	185	160	166	110	9	9	8	94	96	64	14	13	4	5,5	14	1,5	10,8
	55	2625	550	1800	160	204	170	182	115	11	11	8	104	106	66	18	17	4	6	16	2,0	14,0
	60	3500	530	1700	170	214	182	192	125	11	11	10	114	116	78	17	16	4	7	18	2,0	16,8
	70	5750	500	1600	190	234	202	212	140	11	11	10	134	136	95	18,5	17,5	4	7,5	20	2,5	20,8
	80	8500	480	1500	210	254	222	232	160	11	11	10	144	146	100	21	20	4	9	22	2,5	27,0
	90	14500	450	1300	230	278	242	254	180	14	13	10	158	160	115	20,5	19	4,5	9	25	3,0	40,0
	100	20000	350	1100	270	335	282	305	210	18	17,5	10	182	184	120	30	28	5	10	28	3,0	67,0
130	31250	250	900	310	380	322	345	240	18	17,5	12	212	214	152	29	27	5	11	32	3,0	94,0	
150	70000	200	700	400	485	412	445	310	22	21,5	12	246	248	180	32	30	5	12	36	4,0	187,0	

NOTES

1) $T_{max} = 2 \times T_{KN}$
» Refer to Selection page 10 to 13

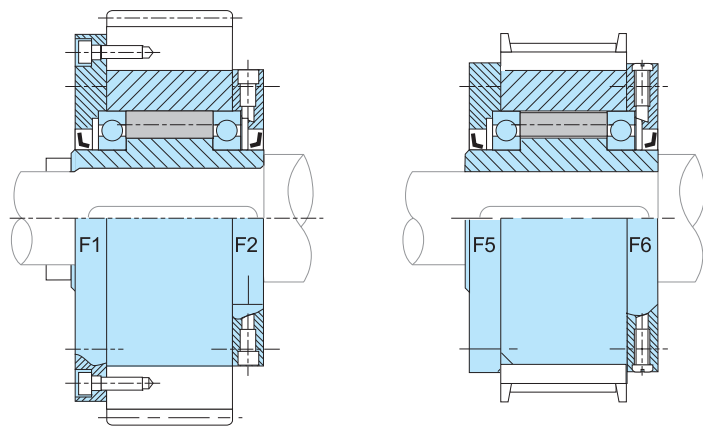
2) Inner race overruns

3) Outer race overruns
Keyway to DIN 6885.1

When ordered assembled, please specify direction of rotation seen from arrow „A“: „R“ Inner race overruns in clockwise direction „L“ Inner race overruns in counter-clockwise direction

» Refer to mounting and maintenance instructions page 16 to 19

MOUNTING EXAMPLES



GFR..F2F3

GFR..F3F4



TYPE



GFR..F2F3

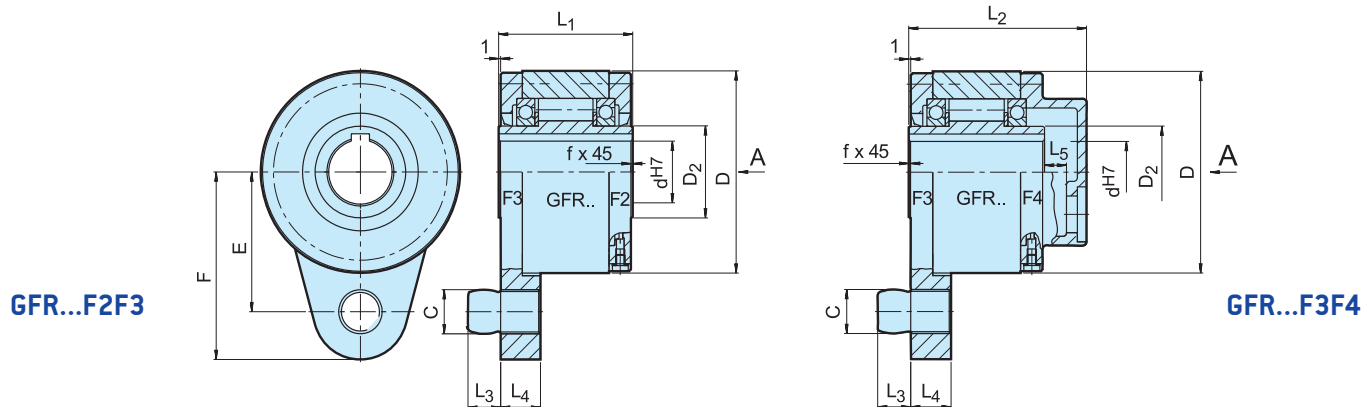
GFR..F3F4

Types GFR..F2F3/F3F4 are roller type freewheels, self-contained, sealed and bearing supported, using two 160.. series bearings.

They use the GFR base module. Units must be oil lubricated before use if they are delivered disassembled and in any case for the F3F4 combination. These cover combinations are primarily used as backstops, as shown overleaf. The F3 cover acts as a torque arm and has an integrated stop bolt. The stop bolt should go into a slot in a fixed part of the machine. The stop bolt must have a radial

clearance of 1–3 % of the bolt's diameter. The torque arm and bearings must not be prestressed in any way. F2 and F4 covers are used to close the unit. They are equipped with 3 screws for oil filling, drain and level.

If using cover type F4, shaft end plate and its screw must be sealed to avoid oil leakage through the keyway. Covers are easily fitted, allowing on site selection of rotation direction. If requested units can be delivered assembled and lubricated for the F2F3 combination.



Type	Size	Overrunning speed													Weight
		d^{H7} [mm]	$T_{KN}^{1)}$ [Nm]	$n_{max}^{2)}$ [min ⁻¹]	D [mm]	D ₂ [mm]	C [mm]	L ₁ [mm]	L ₂ [mm]	L ₃ [mm]	L ₄ [mm]	F [mm]	E [mm]	L ₅ [mm]	
GFR..F2-F3 GFR..F3-F4	12	55	3100	62	20	10	42	64	10	13	59	44	6	0,5	1,4
	15	125	2800	68	25	10	52	78	10	13	62	47	10	0,8	1,8
	20	181	2400	75	30	12	57	82	11	15	72	54	10	0,8	2,3
	25	288	1600	90	40	16	60	85	14	18	84	62	10	1,0	3,4
	30	500	1300	100	45	16	68	95	14	18	92	68	10	1,0	4,5
	35	725	1200	110	50	20	74	102	18	25	102	76	12	1,0	5,6
	40	1025	850	125	55	20	86	115	18	25	112	85	12	1,5	8,5
	45	1125	740	130	60	25	86	115	22	25	120	90	12	1,5	8,9
	50	2125	580	150	70	25	94	123	22	25	135	102	12	1,5	12,8
	55	2625	550	160	75	32	104	138	25	30	142	108	15	2,0	16,2
	60	3500	530	170	80	32	114	147	25	30	145	112	15	2,0	19,3
	70	5750	500	190	90	38	134	168	30	35	175	135	16	2,5	23,5
	80	8500	480	210	105	38	144	178	30	35	185	145	16	2,5	32
	90	14500	450	230	120	50	158	192	40	45	205	155	16	3,0	47,2
	100	20000	350	270	140	50	182	217	40	45	230	180	16	3,0	76
130	31250	250	310	160	68	212	250	55	60	268	205	18	3,0	110	
150	70000	200	400	200	68	246	286	55	60	325	255	20	4,0	214	

NOTES

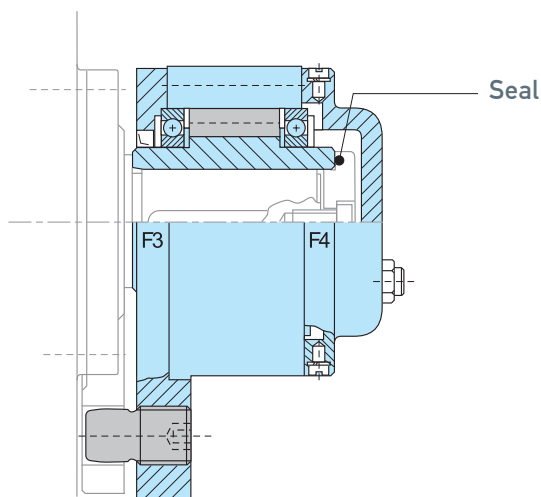
1) $T_{max} = 2 \times T_{KN}$
» Refer to Selection page 10 to 13

2) Inner race overruns
Keyway to DIN 6885.1

When ordered assembled, please specify direction of rotation seen from arrow „A“: „R“ Inner race overruns in clockwise direction, „L“ Inner race overruns in counter-clockwise direction

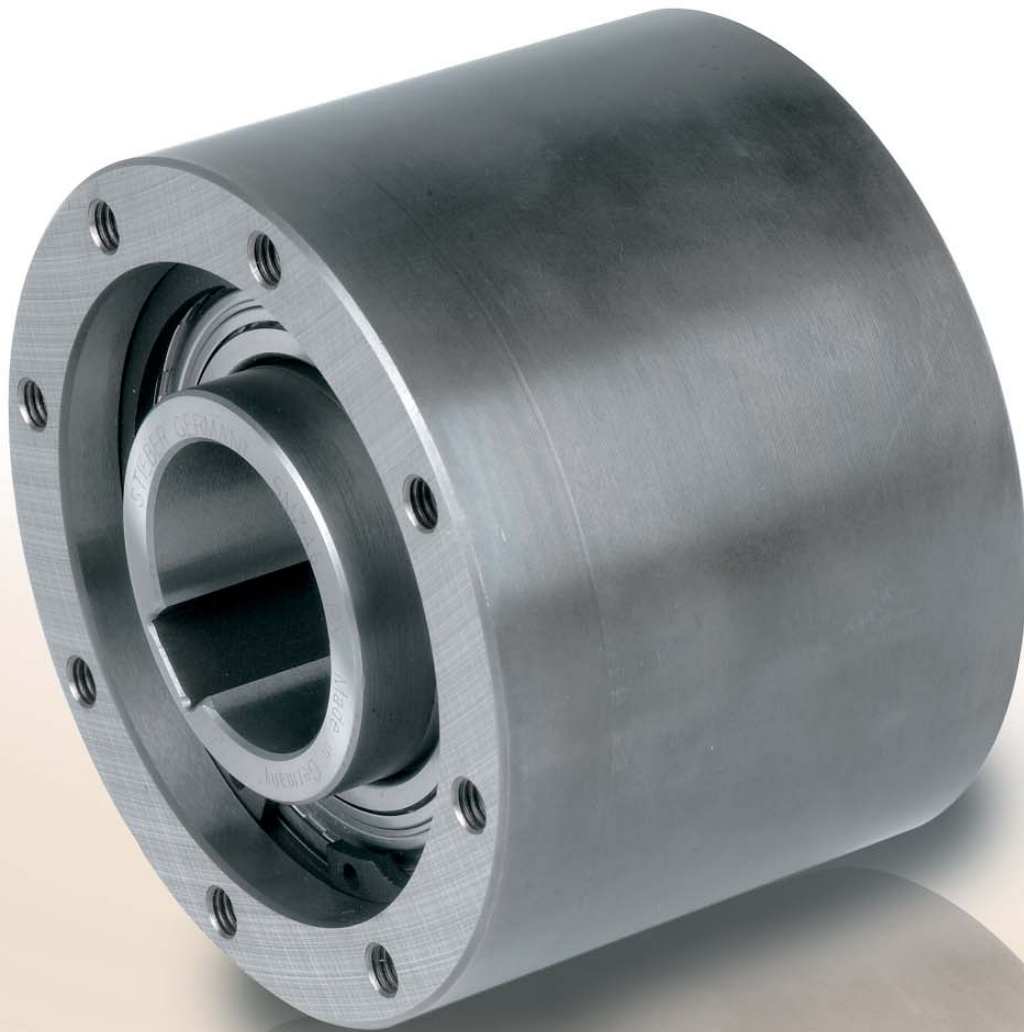
» Refer to mounting and maintenance instructions page 16 to 19

MOUNTING EXAMPLE



SMZ

TYPE

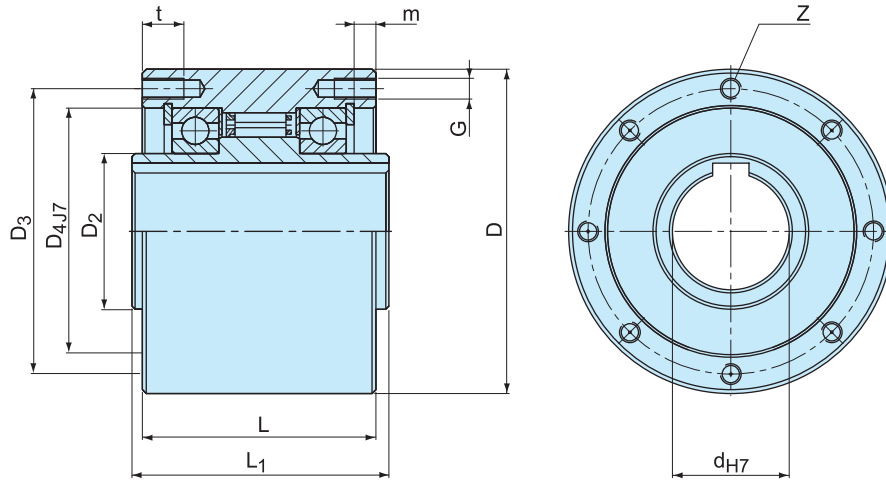


Type SMZ is a sealed, sprag type freewheel, bearing supported using two 60..ZZ series grease lubricated bearings.

Units are delivered grease lubricated ready for installation. SMZ units are intended as multipurpose, to be used in various applications. A typical mounting

arrangement is shown on the following page. The inner race is keyed to the shaft. The inside diameter of the outer race (dimension D4) should be used as the mounting register for the connected parts (sprocket, pulley, gear, torque arm...). The mounting spigot should be to g6 tolerance.

SMZ

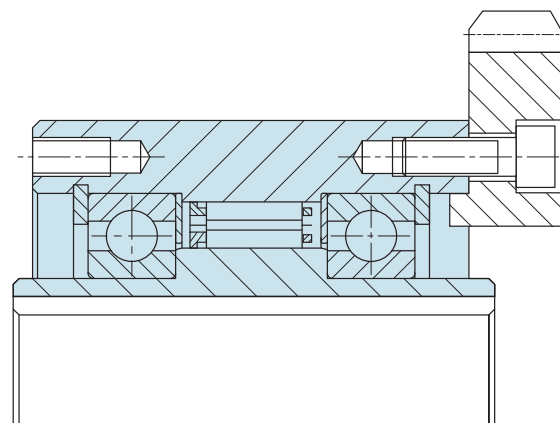


Type	Size	Overrunning speeds														Weight
		$T_{KN}^{1)}$ [Nm]	$n_{imax}^{2)}$ [min ⁻¹]	$n_{amax}^{3)}$ [min ⁻¹]	D	D ₂	D ₃	D ₄ ^{H7}	L	L ₁	G	z	t	m		
SMZ	20	300	1600	700	80	30	68	55	65	67	M6	6	12	7,6	2	
	30	1035	1500	500	100	45	88	75	80	82	M8	6	16	8,9	3,7	
	35	1100	1400	300	110	50	95	80	85	87	M8	6	16	8,7	4,8	
	45	1750	1300	300	125	60	110	95	90	92	M8	8	16	8,4	6,2	
	60	3400	1100	250	155	80	140	125	100	102	M8	8	16	9,1	10,2	
	70	4300	1000	250	175	95	162	145	103	105	M8	8	16	8,6	13,2	

NOTES

- 1) $T_{max} = 2 \times T_{KN}$
» Refer to Selection page 10 to 13
- 2) Inner race overruns
- 3) Outer race overruns
Keyway to DIN 6885.1
- » Refer to mounting and maintenance instructions
page 16 to 19

MOUNTING EXAMPLE



FSO 300-700 FSO-GR 300-700 HPI 300-700



TYPE

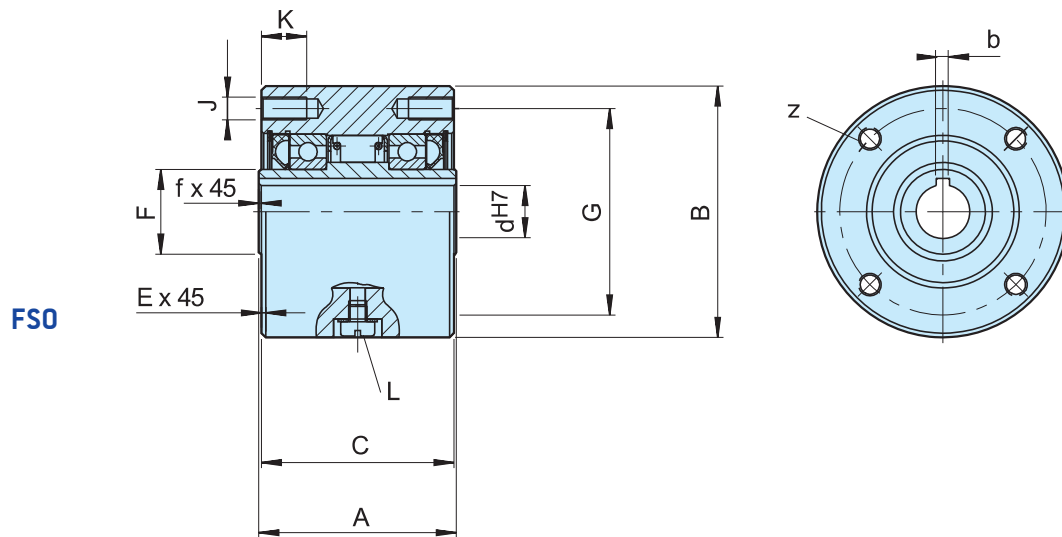


FSO..GR

Types FSO, FSO-GR, and HPI 300 to 700 are sprag type freewheels self-contained, sealed and bearing supported, using two ball bearings.

Units are delivered oil or grease lubricated according to the type. It is a Formsprag USA design with a »full sprag complement« that gives a very high torque for a given

diameter. Any overload is resisted by a sprag to sprag abutment, avoiding a sprag tilt over. Types FSO and HPI are oil lubricated and use standard shaft lip seals. Type FSO-GR is grease lubricated and can be equipped with contact free labyrinth seals. Type HPI is specially designed for high speed indexing applications.

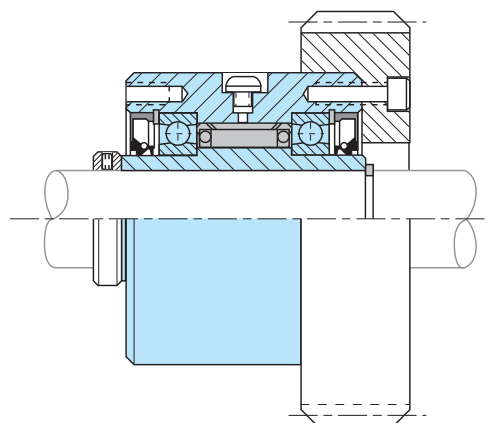


Type	Size	Overrunning speeds															Lubricant			Weight	Drag torque		
		F50	F50-GR	d ^{H7} -bxh	d ⁴⁾	A	B	C	E	F	G	z	J	K	L	f	F50	F50..GR	HPI			T _R	
		T _{KN} ¹⁾ [Nm]	n _{max} ²⁾ [min ⁻¹]	n _{max} ³⁾ [min ⁻¹]		min-max	-0,05																
F50 F50-GR HPI	300	379	3000/900	3600/900	15-5x5	12...19	63,50	76,20	60,45	1,6	28,58	66,67	4	M8	13	M6	0,8	7	10	14	1,6	18	
	400	407	2800/850	3600/850	18-6x6	12...22	69,85	88,90	68,07	1,6	30	73	4	M8	13	M6	0,8	10	20	20	2,7	27	
	500	1621	2500/800	3000/800	30-8x7	19...33	88,90	107,95	85,73	1,6	45	92	4	M8	16	M6	1,5	22	35	35	4,8	31	
	600	3105	2200/750	2400/750	40-12x8	24...57	95,25	136,525	92,2	1,6	63,5	120,6	6	M8	16	M6	1,6	52	84	84	8,6	62	
						50-14x6																	
						50-14x9																	
	700	6900	1600/450	2000/450	60-18x11	48...82	127,00	180,975	123,85	1,6	90	158,75	8*	M10*	20	M6	1,6	168	280	280	19	156	
					65-18x11																		
					70-20x12						101,6 ⁵⁾												

NOTES

- 1) $T_{max} = 2 \times T_{KN}$
» Refer to Selection page 10 to 13
 - 2) Inner race/outer race
 - 3) Inner race/outer race labyrinth seal
 - 4) Inch bore available on request
 - 5) Only for oversize bore
Size 600 > 50 mm
Size 700 > 75 mm
 - *) 6 holes equally spaced at 60° plus
2 extra-holes at 180°
- » Refer to mounting and maintenance instructions
page 16 to 19

EMOUNTING EXAMPLE



FS 750-1027 FSO 750-1027 HPI 750-1027



TYPE



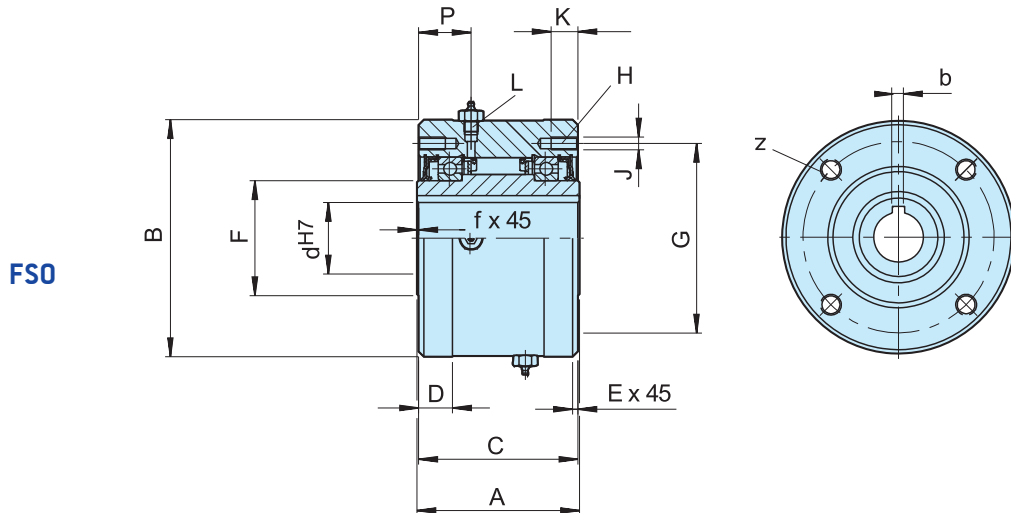
FSO

Types FS, FSO, and HPI 750 to 1027 are sprag type freewheels self-contained, sealed and bearing supported, using two ball bearings.

Units are delivered oil or grease lubricated according to the type. It is a Formsprag USA design that uses tall sprags with multi-radius active surfaces. Designed specially for large size freewheels to compensate for any eccentricity due to bearing wear. Types FS and HPI are oil

lubricated and use standard shaft lip seals. Type FSO is grease lubricated and equipped with special grease seals.

Type HPI is specially designed for high speed indexing applications. Each of the different models show a range of standard metric bore diameters. We can supply any bore size between the minimum and maximum specified in the table, including imperial sizes.

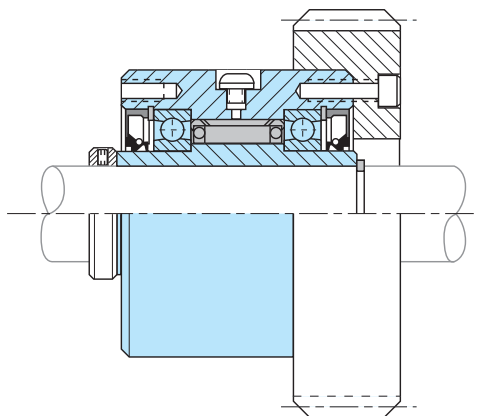


Type	Size	Overrunning speeds																Lubricant			Weight	Drag torque										
		$T_{KN}^{1)}$ [Nm]	$n_{max}^{2)}$ [min ⁻¹]	$n_{max}^{3)}$ [min ⁻¹]	d^{H7} -bxh [mm]	$d^{4)}$ min-max [mm]	A [mm]	B ⁵⁾ -0.05 [mm]	C [mm]	D [mm]	E [mm]	F [mm]	G [mm]	z	J [mm]	K [mm]	L [inch]	P [mm]	f [mm]	FSO [ml]			HPI [ml]	FS [ml]	T_R [Ncm]							
FSO FS HPI	750	9660	1800/650	1000/650	65-18x11																											
					70-20x12																											
					75-20x12	57-87	152.4	222.25	149.2	31.7	1.6	107.74	177.8	8*	M12*	25	1/2-20	49.2	1.6	222	384	207	38	5.08								
					80-22x14																											
					85-22x14																											
					80-22x14																											
					800	17940	1500/525	850/525	90-25x14	66-112	152.4	254.00	149.2	31.7	1.6	139.70	227.0	8	M12	25	1/2-20	49.2	1.6	222	444	251	46	7.12				
									100-28x16																							
									110-28x16																							
									100-28x16																							
									900	24408	1350/500	700/500	110-28x16	92-138	161.9	304.80	158.7	34.9	1.6	161.92	247.65	10	M16	32	1/2-20	54	1.6	532	473	340	71	8.47
													120-32x18																			
													130-32x18																			
													130-32x18																			
								1027	36612	700/375	500/375	150-36x20	125-177	168.3	381.00	165.1	34.9	3.2	228.60	298.45	12	M16	32	1/2-20	54	3.2	651	946	473	113	13.56	
								175-45x25																								

NOTES

- 1) $T_{max} = 2 \times T_{KN}$
» Refer to Selection page 10 to 13
- 2) Inner race/outer race
- 3) Inner race/outer race
- 4) Inch bore available on request
- * 6 holes equally spaced at 60° plus 2 extra-holes at 180°
- 5) Tolerance for sizes 900 and 1027: -0,08

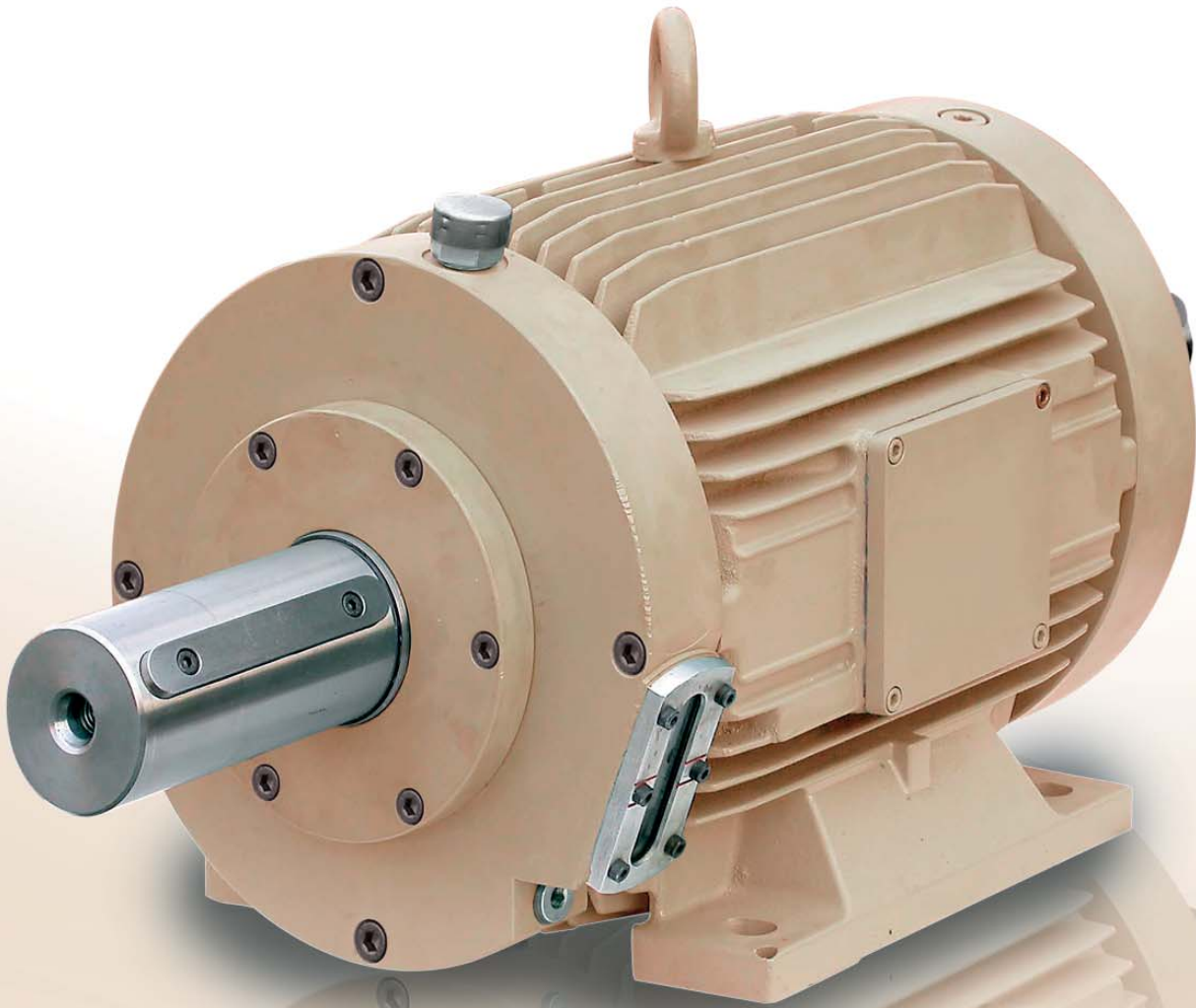
MOUNTING EXAMPLE



AL..G



TYPE



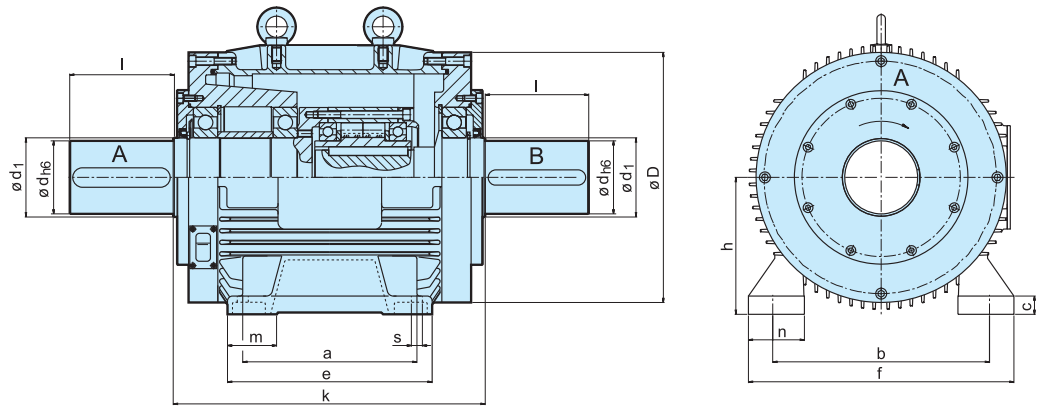
Type AL..G is a roller type freewheel bearing supported and self-contained in a cast iron housing. Standard lubrication is oil.

This type is designed for dual or standby drives on large equipment requiring high power at high speeds such as, industrial fans, pumps, and turbines. The housing provides a cooling surface, a large oil volume and maximum safety for equipment running continuously

without supervision. Units of this type must be connected with the driver and driven machine using flexible couplings.

Integrated forced lubrication allows hydrodynamic contact free operation during overrunning. The given overrunning speeds are valid for a maximum ambient temperature of 40°C. On request additional air cooling can be provided.

AL..G



Type	Size	Overrunning Speed shaft A																Weight
		$T_{KN}^{1)}$ (Nm)	n_{max} (min^{-1})	d_{h6} (mm)	l (mm)	k (mm)	D (mm)	d_1 (mm)	h (mm)	m (mm)	n (mm)	f (mm)	e (mm)	a (mm)	b (mm)	s (mm)	c (mm)	(kg)
AL..G	30-G1	500	5500	38	80	280	194	45	100	33,5	42	200	175	140	160	14	14	50
	50-G3	2125	3400	65	140	430	310	80	160	58	71,5	318	260	210	254	18	22	115
	60-G3	3500	2900	75	140	430	310	80	160	58	71,5	318	260	210	254	18	22	125
	70-G3	5750	2600	75	140	430	310	80	160	58	71,5	318	260	210	254	18	22	138
	80-G4	8500	2400	90	170	510	434	95	225	80,5	92	436	346	286	356	22	30	284
	90-G4	14500	2000	120	170	510	434	130	225	80,5	92	436	346	286	356	22	30	300
	100-G4	20000	1500	120	210	510	434	130	225	80,5	92	436	346	286	356	22	30	330
	120-G5	31250	1300	120	210	800	610	140	315	100	131	620	550	457	508	30	46	980
	150-G5	70000	1200	160	250	800	610	190	315	100	131	620	550	457	508	30	46	1100

NOTES

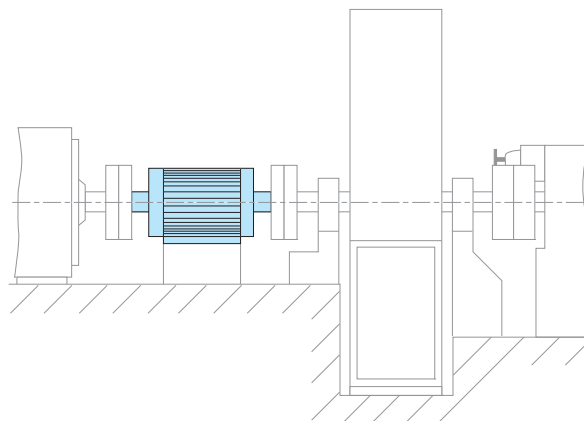
- 1) $T_{max} = 2 \times T_{KN}$
 » Refer to Selection page 10 to 13
 Keyway to DIN 6885.1

rotation seen from shaft „A“: „R“ Shaft „A“ overruns in clockwise direction, „L“ Shaft „A“ overruns in counterclockwise direction

Note: The constant overrunning function must be performed by the driven shaft „A“

- » Refer to mounting and maintenance instructions page 16 to 19

MOUNTING EXAMPLE



RSCI 20-130



TYPE



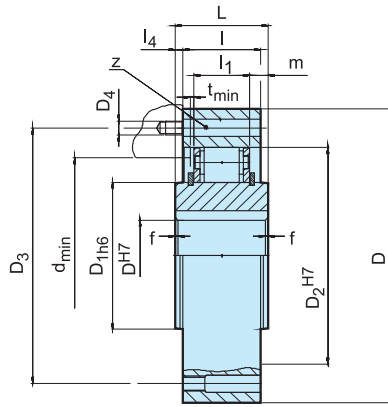
Type RSCI is a centrifugal lift off sprag type freewheel with the inner race rotating. Only the inner race is designed for freewheeling. It is a non self-supported type.

Bearings must be provided to ensure concentricity of the inner and outer races and support axial and radial loads, as shown overleaf. Concentricity and run-out limits must be observed. The RSCI type accepts all types of lubricant currently used in power transmission equipment.

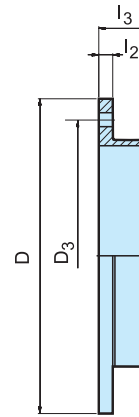
It is possible to mount these freewheels directly in gearboxes without separate lubrication. An oil mist is generally sufficient. Grease lubrication may be acceptable if the unit works mostly in overrunning condition, as on E-motors.

When used as a backstop, it must be checked that the overrunning speed will not go below the minimum speed given in the characteristics table. Please refer to page 78 (RSCI 180-300) for further information.

RSCI



F8



Type	Size	Speeds					Number										Weight						
		$T_{KN}^{1)}$ [Nm]	$n_{max}^{2)}$ [min ⁻¹]	$n_{min}^{3)}$ [min ⁻¹]	$n_{imax}^{4)}$ [min ⁻¹]	$D^{5)}$ [mm]	D_{1h6} [mm]	D_{2H7} [mm]	D_3 [mm]	D_4	z	L [mm]	l [mm]	l_1 [mm]	l_4 [mm]	$f \times 45^\circ$ [mm]	d_{min} [mm]	m [mm]	t_{min} [mm]	l_2 [mm]	l_3 [mm]	RSCI [kg]	F8 [kg]
RSCI	20	212	315	750	15000	90	36	66	78	M6	6	35	35	25	0	0.8	52	5	1	8	16	1.5	0.3
	25	319	300	725	14000	95	40	70	82	M6	6	35	35	25	0	1.0	56	5	1	8	16	1.6	0.4
	30	375	290	700	11000	100	45	75	87	M6	6	35	35	25	0	1.5	62	5	1	8	16	1.8	0.4
	35	550	280	670	11000	110	50	80	96	M6	8	35	35	25	0	1.5	66	5	1	8	16	2.1	0.5
	40	800	260	630	8000	125	60	90	108	M8	8	35	35	25	0	1.5	76	5	1	10	21	2.7	0.7
	45	912	255	610	7000	130	65	95	112	M8	8	35	35	25	0	1.5	82	5	1	10	21	2.9	0.9
	50	1400	235	560	6000	150	80	110	132	M8	8	40	40	25	0	1.5	100	7.5	1	10	21	4.3	1
	60	2350	210	510	6000	175	85	125	155	M10	8	60	50	36	5	2.0	110	12	2	12	35	6.5	1.8
	70	3050	195	470	4000	190	100	140	165	M10	12	60	50	36	5	2.0	120	12	2	12	35	8.6	1.9
	80	4500	180	440	4000	210	120	160	185	M10	12	70	60	36	5	2.0	140	17	3	12	35	12.5	2.6
	80M	5800	155	375	4000	210	120	160	185	M10	12	70	60	46	5	2.0	140	12	2	12	35	13.1	2.6
	90	5600	170	410	3000	230	140	180	206	M12	12	80	70	36	5	2.5	165	22	3	12	35	17.4	3.0
	90M	8700	145	350	3000	245	140	180	206	M12	12	80	70	46	5	2.5	160	17	2	12	35	18.3	3.0
	100	10500	145	355	3000	290	140	210	258	M16	12	90	80	52.6	5	2.5	180	18.6	3	15	37	28	5.0
	100M	16000	140	340	2400	290	170	210	258	M16	12	90	80	63	5	2.5	200	13.5	2	12	35	30	5.0
130	15750	135	330	2400	322	170	240	278	M16	12	90	80	52.6	5	3.0	210	18.6	3	15	37	35	6.0	

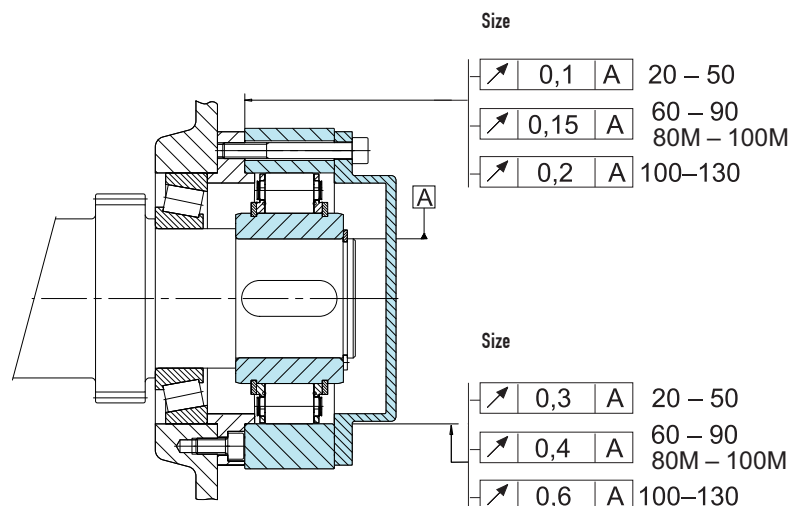
NOTES

- 1) $T_{max} = 2 \times T_{KN}$
» Refer to Selection page 10 to 13
- 2) This maximum allowable torque transmission speed n_{max} must not be exceeded when transmitting torque
- 3) This minimum allowable overrunning speed n_{imin} should not be reduced under continuous operation. Possible reduction of this minimum speed on request
- 4) Inner race overruns
Keyway to DIN 6885.1
- 5) Tolerance +1

Cover F8 must be ordered separately
» Refer to mounting and maintenance instructions page 16 to 19

Other bore diameters on request

MOUNTING EXAMPLE



RSCI 180-300



TYPE

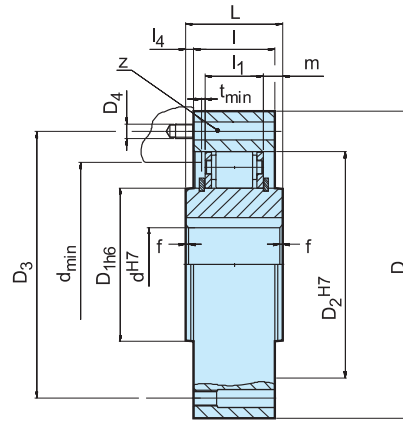


Type RSCI is a centrifugal lift off sprag type freewheel with the inner race rotating. Only the inner race is designed for freewheeling.

Primarily designed as a backstop, this type can be also used as an overrunning clutch in crawl drives, where the

overrunning speed is high but the driving speed is low and does not exceed the maximum driving speed shown in the table. Centering of the outer race must use the inner bore. The centering spigot must not contact the sprag cage. Please refer to page 76 (RSCI 20-130) for further information.

RSCI



Size	Torque	Speeds													Number				Weight
d^{H7} [mm]	$T_{KN}^{1)}$ [Nm]	$n_{max}^{2)}$ [min ⁻¹]	$n_{min}^{3)}$ [min ⁻¹]	$n_{imax}^{4)}$ [min ⁻¹]	$D^{5)}$ [mm]	D_{1h6} [mm]	D_2^{H7} [mm]	D_3 [mm]	D_4 [mm]	z	L [mm]	l [mm]	l_1 [mm]	l_4 [mm]	$f \times 45^\circ$ [mm]	d_{min} [mm]	m [mm]	t_{min} [mm]	[kg]
180	31500	115	285	1300	412	240	310	360	M20	12	90	80	53	5	3.5	280	18,6	3	59
180 M	50000	90	220	1300	422	240	310	370	M20	18	120	120	83	0	4	280	18,5	2	92
180 II	63000	115	285	1300	412	240	310	360	M20	24	160	160	118	0	3.5	280	21	3	116
180 II-M	100000	90	220	1300	425	240	310	370	M24	24	240	240	176	0	4	280	32	3	190
220	42500	110	265	1100	470	290	360	410	M20	16	105	80	60	12,5	4	330	19,5	3	90
220 M	68000	85	205	1100	480	290	360	410	M24	16	120	120	83	0	4	330	18,5	2	109
220 II	85000	110	265	1100	480	290	360	430	M24	18	160	160	130	0	4	330	15	3	159
220 II-M	136000	85	205	1100	490	290	360	425	M30	20	240	240	176	0	4	330	32	2	249
240	52000	105	250	1100	500	320	390	440	M20	16	105	90	60	7,5	4	360	15	2	95
240 M	83000	80	195	1100	520	320	390	440	M24	16	120	120	83	0	4	360	18,5	2	137
240 II	104000	105	250	1100	520	320	390	440	M24	24	180	180	132	0	4	360	24	2	191
240 II-M	166000	80	195	1100	530	320	390	455	M30	24	240	240	181	0	4	360	32	2	250
260	65000	100	240	1000	550	360	430	500	M24	16	105	105	60	0	4	400	22,5	2	130
260 M	100000	75	185	1000	580	360	430	500	M24	24	125	125	83	0	4	400	21	2	183
260 II	130000	100	240	1000	580	360	430	500	M24	24	210	210	132	0	4	400	39	2	262
260 II-M	200000	75	185	1000	580	360	430	500	M30	24	250	250	176	0	4	400	37	2	369
300	78000	90	225	1000	630	410	480	560	M24	24	105	105	60	0	4	460	22,5	3	174
300 M	125000	70	175	1000	630	410	480	560	M24	24	125	125	83	0	4	460	21	3	210
300 II	156000	90	225	1000	630	410	480	560	M24	24	210	210	134	0	4	460	38	3	351
300 II-M	250000	70	175	1000	630	410	480	560	M30	24	250	250	182,6	0	4	460	33,7	3	457

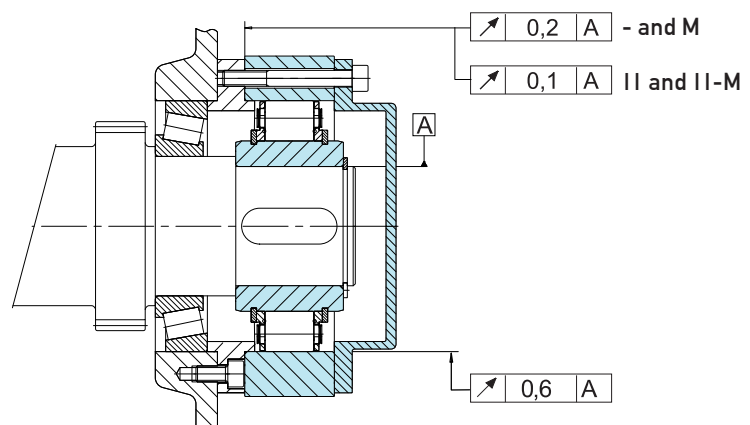
NOTES

- $T_{max} = 2 \times T_{KN}$
» Refer to Selection page 10 to 13
- This maximum allowable torque transmission speed n_{max} must not be exceeded when transmitting torque
- This minimum allowable overrunning speed n_{imin} should not be reduced under continuous operation.
Possible reduction of this minimum speed on request
- Inner race overruns
Keyway to DIN 6885.1
- Tolerance +1

Cover F8 must be ordered separately
» Refer to mounting and maintenance instructions page 16 to 19

Other bore diameters on request

MOUNTING EXAMPLE



RSXM



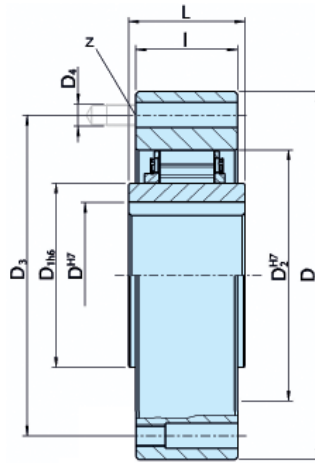
TYPE



The series RSXM completes the small to medium backstop range, which commenced with the highly successful RSCI programme. Type RSXM is a centrifugal lift off sprag type freewheel with the inner race rotating. Only the inner race is designed for freewheeling. It is a non self-supported type. Bearings must be provided to ensure concentricity of the inner and outer races and support axial and radial loads, as shown overleaf. Concentricity and run-out limits must be observed.

The RSXM type accepts all types of lubricant currently used in power transmission equipment. It is possible to mount these freewheels directly in gear-boxes without separate lubrication. An oil mist is generally sufficient. Grease lubrication may be acceptable if the unit works mostly in overrunning condition, as on E-motors. When used as a backstop, it must be checked that the overrunning speed will not go below the minimum speed given in the characteristic table.

RSXM



Type	Bore dia. d ^{H7} (mm)	Torque T _{KN} ¹⁾ (Nm)	Overrunning speeds			D ⁵⁾ (mm)	D _{1h6} (mm)	D ₂ ^{H7} (mm)	D ₃ (mm)	D ₄ (mm)	z (nb)	L (mm)	l (mm)	l ₁ (mm)	t _{min} (mm)	d _{min} (mm)	Weight (kg)
			n _{max} ²⁾ (min ⁻¹)	n _{min} ³⁾ (min ⁻¹)	n _{imax} ⁴⁾ (min ⁻¹)												
31	20	100	340	820	20000	85	31	55	70	M6	6	24	25	17	1	41	0.75
38	20,25	135	320	770	18500	90	38	62	75	M6	6	24	25	17	1	50	0.95
46	25,30	425	300	720	13500	95	46	70	82	M6	6	35	35	25	1	53	1.4
51	30,35	525	220	525	12500	105	51	75	90	M6	6	35	35	25	1	62	1.8
56	35,40	625	210	500	11500	110	56	80	96	M6	8	35	35	25	1	70	1.8
61	35,40	420	265	640	14000	120	61	85	105	M8	6	25	27	17	2	73	1.8
66	35,40,45	850	200	480	10000	132	66	90	115	M8	8	35	35	25	1	78	2.7
76	40,45,50	1100	190	460	9000	140	76	100	125	M8	8	35	35	25	1	90	3.1
86	45,50	1450	180	440	8000	150	86	110	132	M8	8	40	40	25	1	100	4.2
101	45,55,60,70	1950	175	420	6500	175	101	125	155	M10	8	50	50	25	1	117	7.3

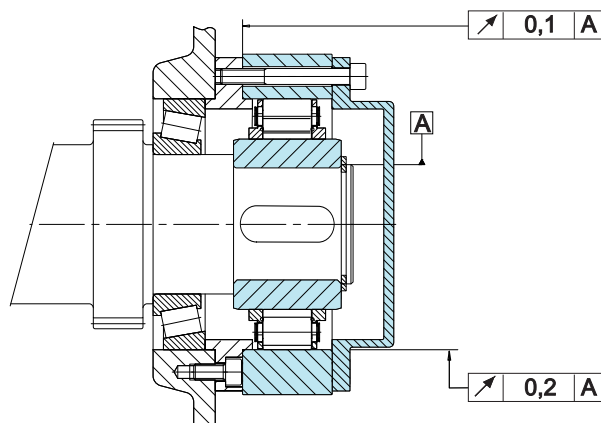
1) T_{max} = 2 × T_{KN} | 2) Inner race overruns

NOTES

- 1) T_{max} = 2 × T_{KN}
» Refer to Selection page 10 to 13
- 2) This maximum allowable torque transmission speed n_{max} must not be exceeded when transmitting torque.
- 3) This minimum allowable overrunning speed n_{imin} should not be reduced under continuous operation. Possible reduction of this minimum speed in request.
- 4) Inner race overruns.
Keyway to DIN 6885.1
- 5) Tolerance +1
» Refer to mounting and maintenance instructions page 16 to 19.

Other bore diameters on request.

MOUNTING EXAMPLE



RSRV RSRT



TYPE



The types RSRV and RSRT are centrifugally lift-off sprag type high speed backstops with integral torque limiter. Please refer to the RSCI design on catalogue pages 76 to 79 for complementary information on Stieber centrifugally lift-off sprag type backstops.

The high quality oil through-impregnated friction linings ensure a consistent and reliable slip torque even when not in operation for a long length of time. The slip torque is factory pre-set to the application requirements.

These assemblies are primarily intended for installation on multiple drives where two or more backstops share the reverse load, such as on large inclined conveyors.

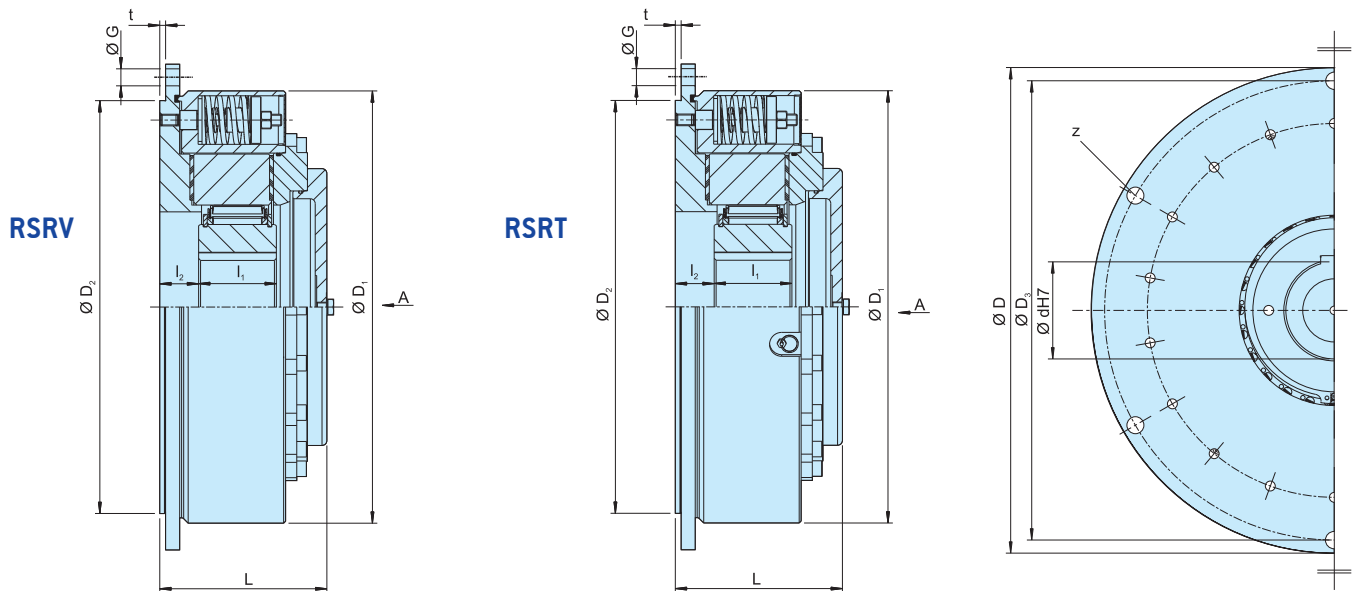
The RSRV is the pure load-sharing version. No maintenance and adjustments are necessary.

In addition, the RSRT can be progressively released under load by a mechanical device. Alternatively we can offer a hydraulic release solution for a fully controlled safe release procedure.

The slip torque should be set 20% higher than the maximum static return torque including overload conditions.

These units are not bearing supported internally. The outer member must be centred on the machine housing.

Concentricity and run-out limits must be observed.



Size	d ^{H7} [mm]	T ¹⁾ [Nm]	n _{min} ²⁾ [min ⁻¹]	n _{max} ³⁾ [min ⁻¹]	D	D ₁	D _{2 g7}	D ₃	t [mm]	z	L	l ₁	l ₂ ⁴⁾	G
RSRV 85	50, 60	1400	490	5300	330	286	280	308	6	6	135	60	29	M12
RSRV 100	60, 70	2300	480	4100	350	308	300	328	6	6	140	60	31	M12
RSRV 120	70, 80	3400	370	3600	400	345	340	373	6	6	150	70	31	M16
RSRV 140	65, 90	4500	420	2700	430	375	375	403	6	6	150	70	31	M16
RSRV 170	90, 100	8000	400	2400	500	445	425	473	6	6	170	80	40	M16
RSRV 200	130, 150	12500	370	2400	555	500	495	528	6	6	170	80	40	M16
RSRV 240	150, 180	21 500	310	1300	710	630	630	670	8	12	185	90	50	M20
RSRV 260	150, 190	30 000	275	1000	750	670	670	710	8	12	205	105	50	M20

NOTES

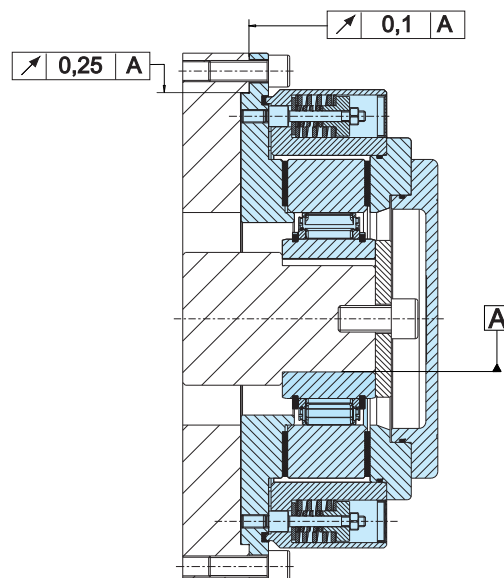
- 1) Maximal slipping torque.
A lower slipping torque can be set.
- 2) This minimum allowable overrunning speed n_{min} should not be reduced under continuous operation.
Possible reduction of this minimum speed on request.
- 3) Maximal speed, inner race overruns
Keyway to DIN 6885.1
- 4) Tolerance +2

When ordering, please specify direction of rotating seen from arrow »A«.

»R« Inner race overruns in clockwise direction.
»L« Inner race overruns in counter clockwise direction.

» Refer to mounting and maintenance instructions pages 16 to 19

MOUNTING EXAMPLE



RIZ RINZ



TYPE

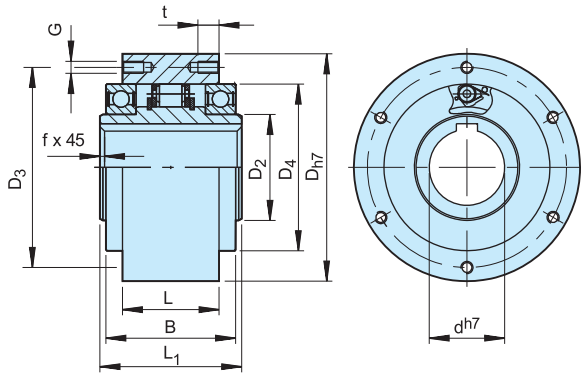


Types RIZ, RINZ are centrifugal lift off sprag type freewheels with the inner race rotating. Suitable for backstop, or overrunning clutch applications. Only the inner race is designed for freewheeling.

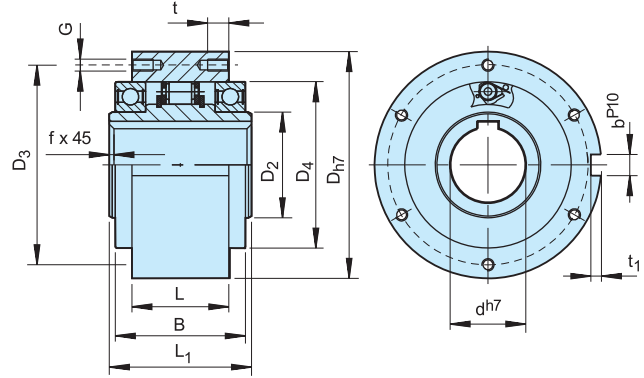
These units are part of the Stieber modular system. They are bearing supported using series 60.. bearings, grease lubricated and fitted with ZZ seals. Units are delivered as standard lubricated with grease and ready to

install in either a horizontal or vertical position. Types RIZ, RINZ are designed to be used with G series covers. The following pages give further important information for use of this type unit.

If the unit is to be installed inside a housing where oil lubrication is available, please specify type RIW, RIWN. The F series covers from type GFR, GFRN are then used without shaft seals.



RIZ



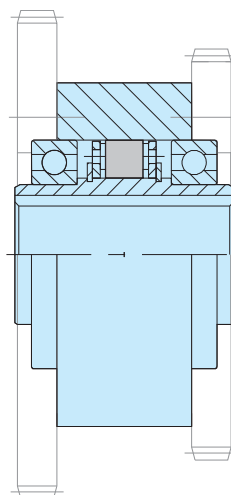
RINZ

Type	Size	Speeds					Number												Weight
		$T_{KN}^{1)}$ [Nm]	$n_{max}^{2)}$ [min ⁻¹]	$n_{imin}^{3)}$ [min ⁻¹]	$n_{imax}^{4)}$ [min ⁻¹]	D_{h7} [mm]	D_2 [mm]	D_4 [mm]	D_3 [mm]	G	z	L_1 [mm]	L [mm]	B [mm]	t [mm]	f [mm]	t_1 [mm]	b^{P10} [mm]	
RIZ RINZ	30	375	290	700	9000	100	45	75	87	M6	6	68	43	60	10	1.0	4	8	2.3
	35	550	280	670	8500	110	50	80	96	M6	6	74	45	63	12	1.0	5	10	3.2
	40	800	260	630	7500	125	55	90	108	M8	6	86	53	73	14	1.5	5	12	4.8
	45	912	255	610	6700	130	60	95	112	M8	8	86	53	73	14	1.5	5.5	14	5.0
	50	1400	235	560	6000	150	70	110	132	M8	8	94	64	86	14	1.5	5.5	14	7.5
	60	2350	210	510	5300	170	80	125	150	M10	10	114	78	105	16	2.0	7	18	12.7
	70	3050	195	470	4000	190	90	140	165	M10	10	134	95	124	16	2.5	7.5	20	14.5
	80	5800	155	375	4000	210	105	160	185	M10	10	144	100	124	16	2.5	9	22	19.0
	90	8700	145	350	3000	230	120	180	206	M12	10	158	115	143	20	3.0	9	25	29.5
	100	16000	140	340	2400	270	140	210	240	M16	10	182	120	153	24	3.0	10	28	42.5
	130	23000	130	320	2400	310	160	240	278	M16	12	212	152	194	24	3.0	11	32	70

NOTES

- 1) $T_{max} = 2 \times T_{KN}$
» Refer to Selection page 10 to 13
 - 2) This maximum allowable torque transmission speed n_{max} must not be exceeded when transmitting torque
 - 3) This minimum allowable overrunning speed n_{imin} should not be reduced under continuous operation. Possible reduction of this minimum speed on request
 - 4) Inner race overruns
Keyway to DIN 6885.1
- » Refer to mounting and maintenance instructions page 16 to 19

MOUNTING EXAMPLE



RIZ..G1G2 RIZ..G2G7 RINZ..G5G5



RIZ.. G1G2

TYPE

RIZ..G1G2

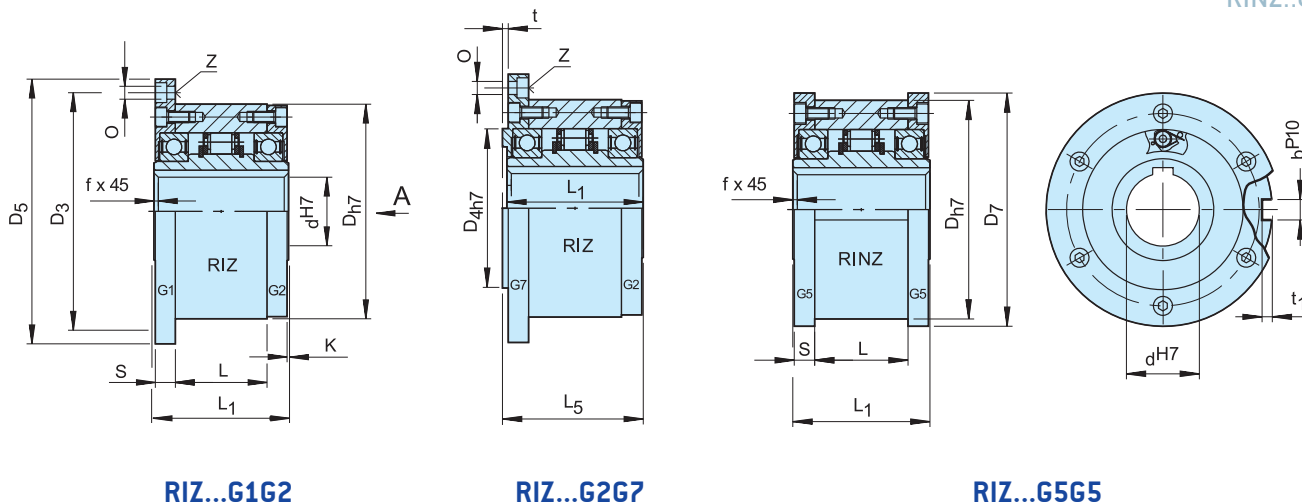
RINZ.. G5G5



Types RIZ..G1G2/G7G2, RINZ..G5G5 are centrifugal lift off sprag type freewheels with the inner race rotating. Only the inner race is designed for freewheeling.

These are self-contained units designed for overrunning clutch applications. Typically used in crawl drives, where the overrunning speed is high but the drive speed is low and does not exceed the maximum driving

speed specified in the table. They are type RIZ, RINZ (» see page 84 for more information) equipped with G type covers featuring a grease pocket and contact free seal. When ordered complete, the unit is delivered grease lubricated, ready for either horizontal or vertical installation.



RIZ...G1G2

RIZ...G2G7

RIZ...G5G5

Type	Size	Speeds										Number								Weight	
RIZ RINZ	d_{H7}^{17} [mm]	$T_{KN}^{1)}$ [Nm]	$n_{max}^{2)}$ [min ⁻¹]	$n_{imin}^{3)}$ [min ⁻¹]	$n_{imax}^{4)}$ [min ⁻¹]	D_{H7} [mm]	D_3 [mm]	D_4 [mm]	D_5 [mm]	D_7 [mm]	0	z	S [mm]	L_1 [mm]	L [mm]	L_5 [mm]	t [mm]	t_1 [mm]	b^{P10} [mm]	f [mm]	G1 [kg]
	30	375	290	700	9000	100	114	75	128	109	6,6	6	11,5	68	43	70	3	4	8	1,0	3,9
	35	550	280	670	8500	110	124	80	140	119	6,6	6	13,5	74	45	76	3,5	5	10	1,0	4,9
	40	800	260	630	7500	125	142	90	160	135	9	6	15,5	86	53	88	3,5	5	12	1,5	7,5
	45	912	255	610	6700	130	146	95	165	140	9	8	15,5	86	53	88	3,5	5,5	14	1,5	7,8
	50	1400	235	560	6000	150	166	110	185	160	9	8	14	94	64	96	4	5,5	14	1,5	10,8
	60	2350	210	510	5300	170	192	125	214	182	11	10	17	114	78	116	4	7	18	2,0	16,8
	70	3050	195	470	4000	190	212	140	234	202	11	10	18,5	134	95	136	4	7,5	20	2,5	20,8
	80	5800	155	375	4000	210	232	160	254	222	11	10	21	144	100	146	4	9	22	2,5	27
	90	8700	145	350	3000	230	254	180	278	242	14	10	20,5	158	115	160	4,5	9	25	3,0	40
	100	16000	140	340	2400	270	305	210	335	282	18	10	30	182	120	184	5	10	28	3,0	67
	130	23000	130	320	2400	310	345	240	380	322	18	12	29	212	152	214	5	11	32	3,0	94

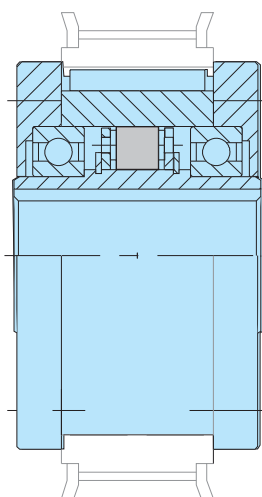
NOTES

- $T_{max} = 2 \times T_{KN}$
» Refer to Selection page 10 to 13
- This maximum allowable torque transmission speed n_{max} must not be exceeded when transmitting torque
- This minimum allowable overrunning speed n_{imin} should not be reduced under continuous operation. Possible reduction of this minimum speed on request
- Inner race overruns
Keyway to DIN 6885.1

When ordering, please specify direction of rotation seen from arrow „A“: „R“ Inner race overruns in clockwise direction, „L“ Inner race overruns in counterclockwise direction

» Refer to mounting and maintenance instructions page 16 to 19

MOUNTING EXAMPLE



RIZ..G2G3 RIZ..G3G4



TYPE



RIZ..G2G3

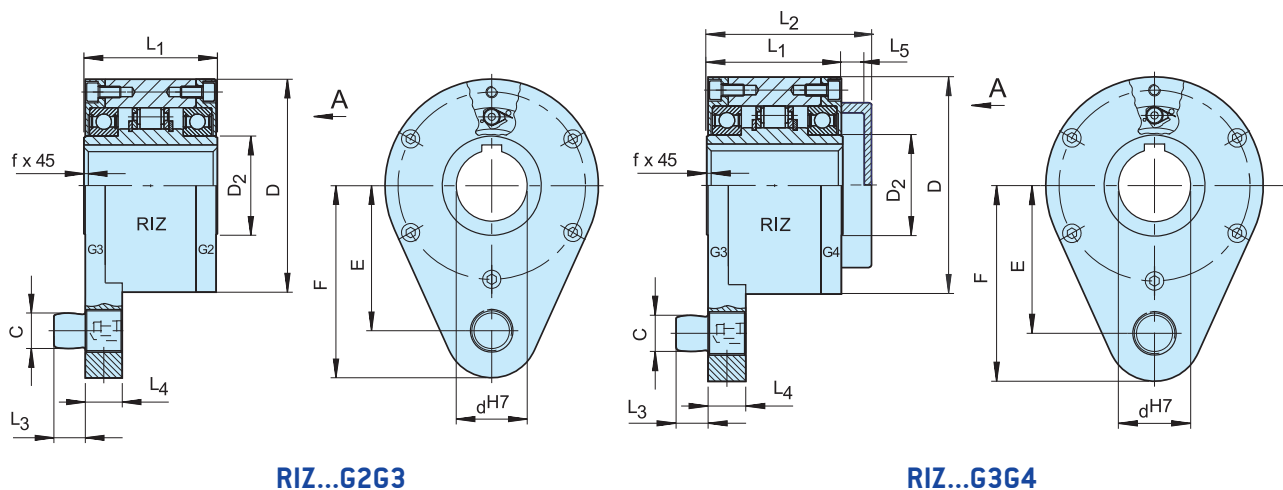
RIZ..G3G4

Types RIZ..G2G3/G3G4 are centrifugal lift off sprag type freewheels with the inner race rotating. Only the inner race is designed for freewheeling.

They are self-contained units designed for backstop applications. The overrunning speed must not be less than the minimum specified in the table. This must be considered if using a variable speed drive. The torque bolt must be fitted into a slot on a fixed part of the machine.

The radial clearance should be 1–3 % of the bolt diameter. The torque arm and bearings must not be axially loaded.

They are a type RIZ. (» see page 84) equipped with G type covers featuring grease pockets and contact free seals. When ordered complete, the unit is delivered grease lubricated, ready for either horizontal or vertical installation.



RIZ...G2G3

RIZ...G3G4

Type	Size	Speeds														Weight
		d^{H7} [mm]	$T_{KN}^{1)}$ [Nm]	$n_{min}^{2)}$ [min ⁻¹]	$n_{max}^{3)}$ [min ⁻¹]	D [mm]	D ₂ [mm]	C [mm]	L ₁ [mm]	L ₂ [mm]	L ₃ [mm]	L ₄ [mm]	F [mm]	E [mm]	L ₅ [mm]	
RIZ..G2G3 RIZ..G3G4	30	375	700	9000	100	45	16	68	88	14	18	92	68	15	1.0	4,5
	35	550	670	8500	110	50	20	74	96	18	25	102	76	17	1.0	5,6
	40	800	630	7500	125	55	20	86	109	18	25	112	85	18	1,5	8,5
	45	912	610	6700	130	60	25	86	109	22	25	120	90	18	1,5	8,9
	50	1400	560	6000	150	70	25	94	116	22	25	135	102	18	1,5	12,8
	60	2350	510	5300	170	80	32	114	139	25	30	145	112	20	2,0	19,3
	70	3050	470	4000	190	90	38	134	168	30	35	175	135	26	2,5	23,5
	80	5800	375	4000	210	105	38	144	178	30	35	185	145	26	2,5	32
	90	8700	350	3000	230	120	50	158	192	40	45	205	155	26	3,0	47,2
	100	16000	340	2400	270	140	50	182	217	40	45	230	180	26	3,0	76
130	23000	320	2400	310	160	68	212	250	55	60	268	205	28	3,0	110	

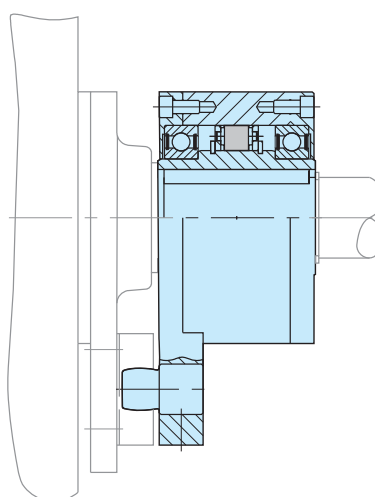
NOTES

- 1) $T_{max} = 2 \times T_{KN}$
» Refer to Selection page 10 to 13
- 2) This minimum allowable overrunning speed n_{imi} should not be reduced under continuous operation. Possible reduction of this minimum speed on request.
- 3) Inner race overruns
Keyway to DIN 6885.1

When ordering, please specify direction of rotation seen from arrow „A“: „R“ Inner race overruns in clockwise direction, „L“ Inner race overruns in counterclockwise direction

» Refer to mounting and maintenance instructions page 16 to 19

MOUNTING EXAMPLE



RIZ..ESG2

Back of
RIZ..ESG2

TYPE



Type RIZ..ESG2 is a centrifugal lift off sprag type freewheel when the inner race is overrunning. Only this race is designed for freewheeling.

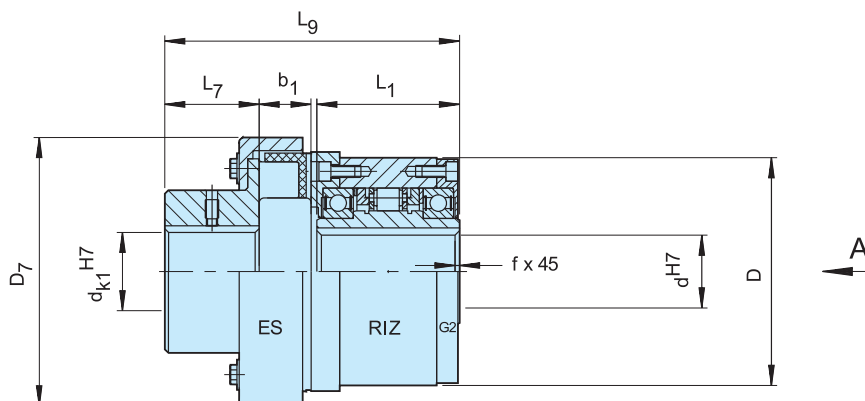
It is a self-contained unit designed for overrunning clutch applications. Typically used in crawl drives where the overrunning speed is high, but the drive speed is low and does not exceed the maximum driving speed specified in the table.

It is a type RIZ (» see page 84 for further information) equipped with an ES elastic coupling and a cover G2. The ES type is a rugged coupling, economical and suitable for many applications.

The inner race must overrun and will be connected to the driven machine shaft. When ordered complete, the unit is delivered grease lubricated, ready for either horizontal or vertical installation.

Coupling half: keyway tolerance P9

RIZ..ESG2



Type	Size		Speeds											Weight
RIZ..ESG2	d ^{H7} (mm)	ES	T _{KN} (Nm)	n _{max} ¹⁾ (min ⁻¹)	n _{min} ²⁾ (min ⁻¹)	n _{max} ³⁾ (min ⁻¹)	d _{k1} ^{H7} (mm)	D (mm)	L ₁ (mm)	D ₇ (mm)	L ₇ (mm)	L _y (mm)	b ₁ (mm)	(kg)
	30	10	80	290	700	9000	10.. 45	100	68	117	48	133.5	17	5.0
	35	16	250	280	670	8500	10.. 50	110	74	129	52	143.5	19	6.6
	40	25	400	260	630	7500	15.. 55	125	86	134	57	163.5	22	9.9
	45	40	625	255	610	6700	20.. 60	130	86	155	61	171.5	26	11.3
	50	63	1000	235	560	6000	20.. 70	150	94	175	67	194	30	16.7
	60	100	1600	210	510	5300	25.. 75	170	114	196	75	227	35	24.0
	70	160	2500	195	470	4000	30.. 80	190	134	223	82	261.5	41	32.5
	80	400	5000	155	375	4000	45.. 100	210	144	290	97	305	56	52
	90	630	7500	145	350	3000	60.. 120	230	158	330	116	346.5	64	78
	100	1000	12500	140	340	2400	75.. 140	270	182	378	140	386	75	136
	130	1600	20000	130	320	2400	90.. 160	310	212	432	160	442	85	199

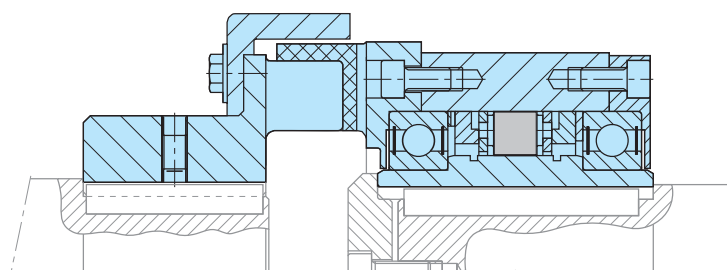
NOTES

- 1) This maximum allowable torque transmission speed n_{max} must not be exceeded when transmitting torque
- 2) Inner race
This minimum allowable overrunning speed n_{min} should not be reduced under continuous operation.
Possible reduction of this minimum speed on request
- 3) Inner race
Keyway to DIN 6885.11

When ordering, please specify d_k bore diameter and direction of rotation seen from arrow „A“: „R“ Inner race overruns in clockwise direction. „L“ Inner race overruns in counterclockwise direction

» Refer to mounting and maintenance instructions page 16 to 19

MOUNTING EXAMPLE



RIZ..ELG2



Back of RIZ..ELG2

TYPE



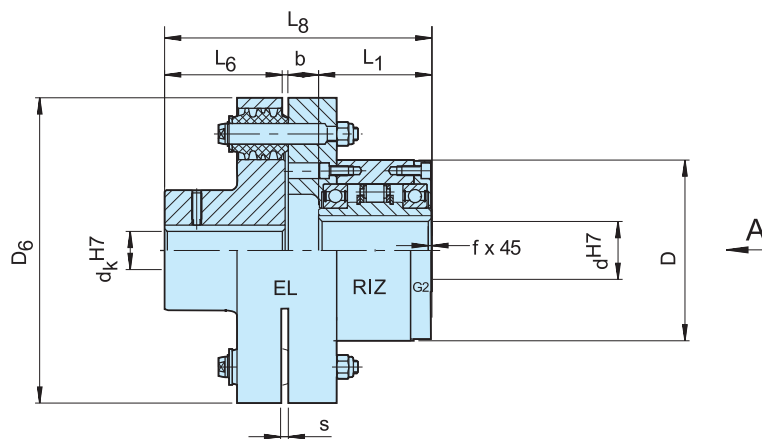
Type RIZ..ELG2 is a centrifugal lift off sprag type freewheel when the inner race is overrunning. Only this race is designed for freewheeling. It is a self-contained unit designed for overrunning clutch applications.

Typically used in crawl drives where the overrunning speed is high, but the drive speed is low and does not exceed the maximum driving speed specified in the table. It is a type RIZ (» see page 84 for further information) equipped with an EL elastic coupling and a cover G2.

The EL type is a high performance coupling used to damp torsional vibrations and to accept misalignment without excess bearing load.

The inner race must overrun and will be connected to the driven machine shaft. When ordered complete, the unit is delivered grease lubricated, ready for either horizontal or vertical installation. The torques given in the table are determined by the freewheel capacity.

RIZ..ELG2



Type	Size	EL	Speeds										Weight			
			T_{KN} (Nm)	$n_{max}^{1)}$ (min^{-1})	$n_{min}^{2)}$ (min^{-1})	$n_{max}^{3)}$ (min^{-1})	d_K^{H7} (mm)	D (mm)	L_1 (mm)	D_6 (mm)	L_6 (mm)	L_8 (mm)		b (mm)	s (mm)	f (mm)
RIZ..ELG2	30	5	375	290	700	9000	20...55	100	68	160	60	147,5	19,5	2	1	11
	35	6	550	280	670	8500	25...75	110	74	190	75	166,5	17,5	2	1	17
	40	6	800	260	630	7500	25...75	125	86	190	75	176,5	15,5	2	1,5	19
	45	6	912	255	610	6700	25...75	130	86	190	75	176,5	15,5	2	1,5	19
	50	7	1400	235	560	6000	30...85	150	94	225	90	208,5	24,5	2,5	1,5	31
	60	8	2350	210	510	5300	35...100	170	114	270	100	244	30	3	2	49
	70	10	3050	195	470	4000	45...120	190	134	340	140	312,5	38,5	3	2,5	90
	80	11	5800	155	375	4000	55...145	210	144	380	160	340	36	3	2,5	107
	90	12	8700	145	350	3000	65...165	230	158	440	180	388	50	3,5	3	170
	100	14	16000	140	340	2400	75...170	270	182	500	200	422,5	40,5	3,5	3	230
	130	16	23000	130	320	2400	85...180	310	212	560	220	482	50	4	3	330

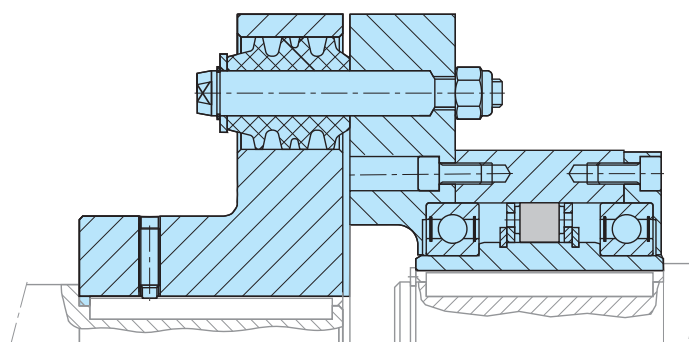
NOTES

- 1) Inner race overruns
This maximum allowable torque transmission speed n_{max} must not be exceeded when transmitting torque
- 2) This minimum allowable overrunning speed n_{min} should not be reduced under continuous operation.
Possible reduction of this minimum speed on request
- 3) Inner race overruns
Keyway to DIN 6885.1

When ordering, please specify d_K bore diameter and direction of rotation seen from arrow „A“: „R“ Inner race overruns in clockwise direction, „L“ Inner race overruns in counterclockwise direction

» Refer to mounting and maintenance instructions page 16 to 19

MOUNTING EXAMPLE

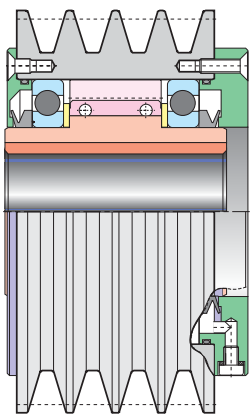
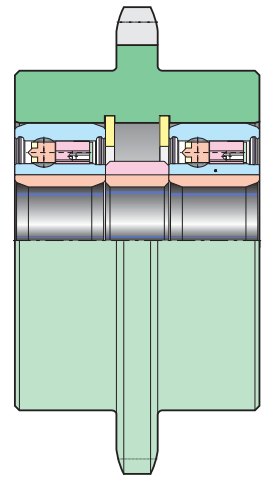


SPECIAL DESIGNS: ANYTHING IS POSSIBLE.



Stainless steel indexing clutch
for use in the food processing industry

Self-contained freewheels CSK..P
and roller chain sprocket assembly



Self-contained freewheel
and v-belt pulley assembly

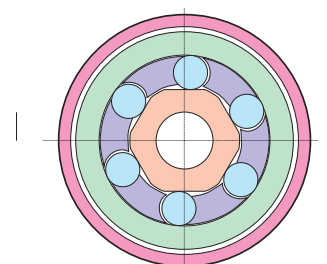
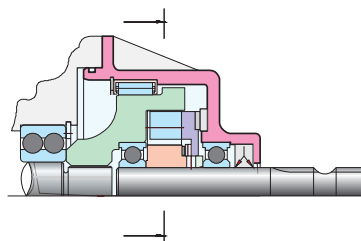
High performance indexing clutch
for use on an offset printing machine



Indexing clutch and
backstop combination for
high voltage switch-gear



Overrunning clutch for two directions
of rotation, automatic change of direction



ALPHABETICAL LIST: QUALITY FROM A TO Z.

A	AA..... 36	C	CSK/CSK..P..... 22	G	GFK..... 26	R	RINZ..G5G5..... 86
	AE..... 34		CSK..2RS..... 20		GFR/GFRN..... 62		RIZ/RINZ..... 84
	AL/ALP..... 52		CSK..P-2RS..... 22		GFR..F1F2..... 64		RIZ..ELG2..... 92
	AL..F2D2/F4D2.... 54				GFR..F2F3..... 66		RIZ..ESG2..... 90
	AL..G..... 74	D	DC..... 42		GFR..F2F7..... 64		RIZ..G1G2/..G2G7... 86
	AL..KEED2..... 58		DC-RINGE..... 44		GFR..F3F4..... 66		RIZ..G2G2/..G3G4... 88
	AL..KMSD2..... 60	F			GFRN..F5F6..... 64		RSBW..... 48
	ALP../ALMP..F7D7.. 56		FS/FSO/HPI..... 72	K			RSCI 20-130..... 76
	AS (NSS)..... 30		FSO/FSO-GR/HPI... 70		KI..... 28		RSCI 180-300..... 78
	ASK..... 24			N			RSRV..... 82
	ASNU (NFS)..... 32				NF..... 38		RSRT..... 82
	AV..... 50				NFR..... 46		RSXM..... 80
						S	S200..... 40
							SMZ..... 68

	Combined bearing/freewheel
	Built-in freewheels
	Self-contained freewheels
	Centrifugally lift off sprags

NEW PRODUCT NAMES

The table overleaf gives the status of Stieber designations not listed in the catalogue.

Designation	Status
ALB..M	on request
ALZ	on request
ANG/ANR	superseded through NFR
BAT/BATS	still available
CLA	superseded through RIW, RIZ
CLV	still available
CR	still available
CRA	superseded through RSCI
CRLA	superseded through RIW, RIZ

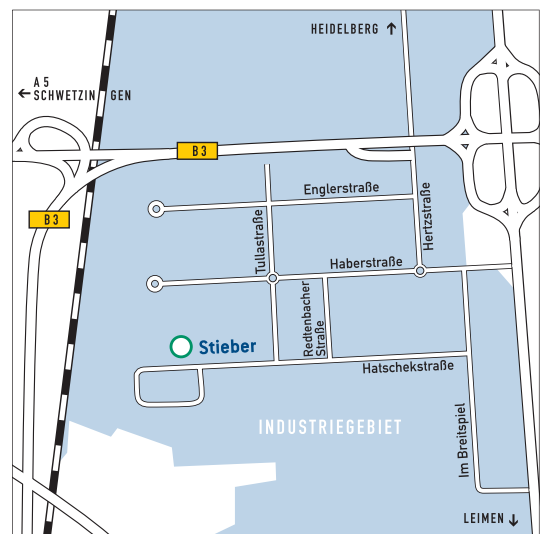
Designation	Status
BW-cages	superseded through DC.. cages
ETK	still available
KK	superseded through CSK
NFS	superseded through ASNU
RIW	superseded through AS
RSBF	still available. See also RIZ
RSBI	still available up to size 70
	superseded through RSCI

Stieber GmbH

www.stieber.de // sales@stieber.de



Hatschekstraße 36
69126 Heidelberg
Fon +49(0)6221.30470
Fax +49(0)6221.304731



Dieselstraße 14
85748 Garching
Fon +49(0)89.329010
Fax +49(0)89.32901124

