

# Triple-Sealed Bearings for Ball Bearing Units



# NSK Triple-Sealed Bearings for Ball Bearing Units

These reliable triple-sealed bearings are dustproof and waterproof. They ensure a longer bearing life even when exposed to heavy airborne dust and splashes of foul water.



## Features

### Better dustproofing and waterproofing ensure a longer bearing life.

Triple-sealed bearings feature a secure bearing seal with three lips. This special seal offers reliable dustproofing and waterproofing superior to those of standard bearings used in bearing units. In addition, it ensures a longer service life, even when exposed to heavy airborne dust and splashes of foul water.

### Reduces maintenance cost.

A bearing life longer than that of a standard bearing unit configurations means extended maintenance intervals, greatly reduced maintenance costs (of inspection, relubrication, replacement, etc.), and increased availability of machinery.

### Decreases price of the bearing unit and contributes to more compact machinery.

The triple-sealed bearing unit replaces conventional covered bearing units in certain operating conditions, greatly decreasing the cost of bearing units. In addition, if the cover is not required, the machinery can be made more compact.

### Secure balled setscrew

The triple-sealed bearing is mounted on the shaft with balled setscrew, which features an embedded ball in its tip. Compared with knurled cup point or cup-point setscrews, the balled setscrew provides much greater resistance to loosening, as it does not readily loosen due to vibration or impact.

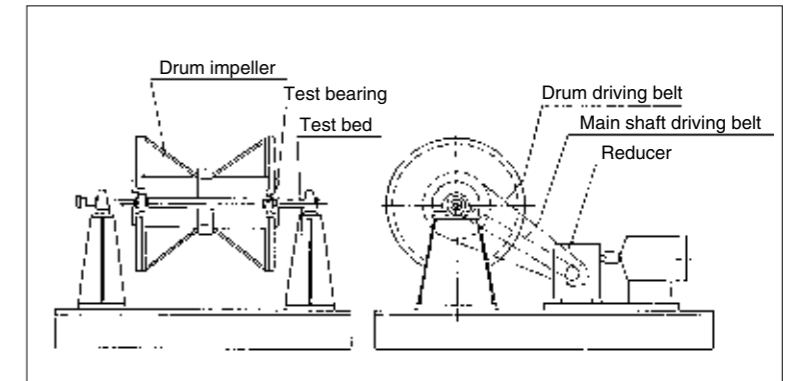
### Interchangeability

The triple-sealed bearing unit conforms to the JIS (Japanese Industrial Standard) for UC-type bearings. It is not only ready to use as a relubricable bearing, but it also replaces the conventional bearing units of NSK and other manufacturers. It therefore serves as a ready replacement for existing bearing units.

## Dustproofing effectiveness

### (1) Dustproofing performance test

An hourglass-shaped drum containing dust (activated alumina) was rotated at 50 rpm. The main shaft was then rotated at 1,750 rpm ( $dn$  value 51,000), while a load of 25 kgf was applied to the test bearings mounted on both sides of the drum. NSK recorded the bearings' normal running time before seizure due to internal dust contamination, and compared the results. (Because the test was performed at room temperature, the speed of the main shaft was set to a much higher range than normally allowable for triple-sealed bearings in order to simulate more severe operating conditions.)



Dustproofing performance test rig

### (2) Dustproofing test results

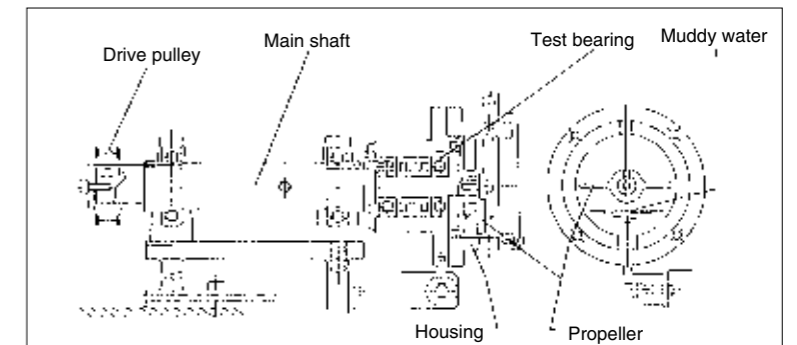
Seal type	Manufacture	Test bearing description	Cross-section of bearing	No. of samples	Average running time
Triple-seal	NSK	UC206D1LLJ		3	5510h
	Company A	Equivalent to UC206D1LLJ		6	1959h
Ordinary seal (rubber seal + flinger)	NSK	UC206D1		6	986h

Note : The dustproofing life of our triple-sealed bearing (UC206D1LLJ) is 2.8 times that of an equivalent bearing from Company A, and is 5.6 times that of our conventional bearing with a standard seal (UC206D1).

## Resistance to muddy water

### (1) Muddy water resistance test

Two hundred cubic centimeters of muddy water (Kanto loam type 8; water content 1:10 w/w) was poured into a cylindrical housing where the bearing being tested was installed. The bearing and propeller in front of the bearing were rotated at 500 rpm ( $dn$  value 20,000) by a drive belt, with a vibration of 0.6 G applied to the housing. NSK recorded the running time of the bearing before the test equipment seized due to contamination by muddy water, and then compared the results.



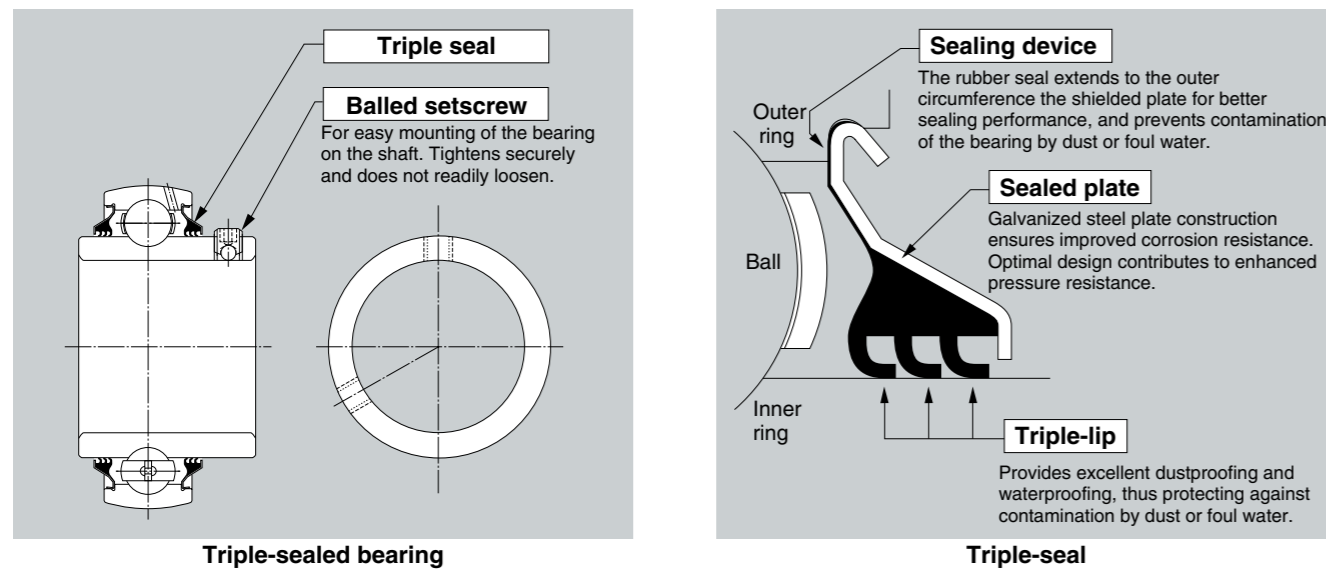
Muddy water resistance test rig

### (2) Muddy water resistance test results and tightening torques

Seal type	Manufacture	Description of test bearing	Cross-section of bearing	Average running time	Tightening torque
Triple-seal	NSK	UC208D1LLJ		3016h (n=2)	16.9N-cm 1.50lbf-inch. (n=5)
	Company A	Equivalent to UC208D1LLJ		51h (n=3)	18.8N-cm 1.66lbf-inch. (n=5)
	Company B	Equivalent to UEL208D1LLJ		1437h (n=3)	23.5N-cm 2.08lbf-inch. (n=3)
	Company C	Equivalent to UEL208D1LLJ		774h (n=3)	58.8N-cm 5.20lbf-inch. (n=3)
Ordinary seal (rubber seal + flinger)	NSK	UC208D1		513h (n=3)	4.4N-cm 0.39lbf-inch. (n=5)
	Company D	Equivalent to UC208D1		287h (n=3)	26.3N-cm 2.32lbf-inch. (n=3)
	Company E	Equivalent to AEL208D1		40h (n=3)	14.7N-cm 1.30lbf-inch. (n=3)

Note : The life of the muddy waterproofing of our triple-sealed bearing (UC208D1LLJ) is 59 times that of an equivalent bearing from Company A, twice that of an equivalent bearing from Company B, and 5.9 times that of our conventional bearing with a standard seal (UC208D1).

## Construction



## Allowable Operating Temperature Range and Speed

The triple-sealed bearing can be used in a temperature range of -15°C to 100°C.  
Allowable  $dn$  value: 36,000 [ $dn$ =bearing bore diameter  $d$  (mm) x operating speed  $n$ ( $\text{min}^{-1}$ )]

## Typical Applications

Triple-sealed bearing units are suitable for machinery used in locations subjected to splashes of foul water and heavy dust, including machinery used in steel-making, casting, garbage disposal, waterworks and sewage treatment, car washers, laundry washing, food processing, fish processing, construction, transportation, agriculture, textiles, and dyeing.



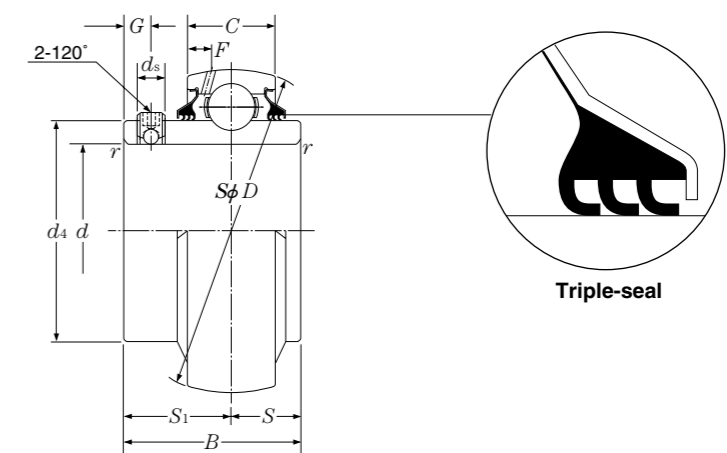
**Sample application :**  
A pillow unit (right) and a square flange unit (left) are used in a conveyor unit operating in an environment with heavy airborne dust.

## Special Specifications

The standard prelubrication for bearings in this series is Li-mineral grease. Contact NSK Engineering for optional bearings lubricated with Molded - Oil (special solid lubricant) or food-grade grease, or for bearings made of stainless steel.

## Triple-sealed ball bearings for Ball bearing unit Type UC2...LLJ

Cylindrical bore with setscrew



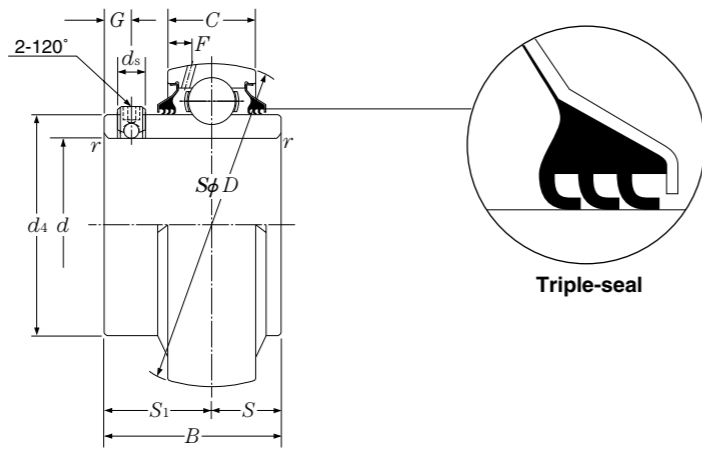
Shaft dia. mm inch.	Bearing number	Nominal dimensions											basic load ratings		mass kg lb
		$d$	$D$	$B$	$C$	$r_s$ <sup>②</sup> mm min.	$S$	$S_1$	$G$	$d_s$	$d_4$	$F$	N dynamic $C_r$	lbf static $C_{or}$	
12 1/2	UC201D1LLJ UC201-008D1LLJ	12 0.5000	47 1.8504	31 1.2205	17 0.6693	0.6 0.024	12.7 0.500	18.3 0.720	4.5 0.177	M5×0.8 No.10-32UNF	29.6 1.1654	4.7 0.185	12 800 2 890	6 650 1 500	0.21 0.46
15 9/16 5/8	UC202D1LLJ UC202-009D1LLJ UC202-010D1LLJ	15 0.5625 0.6250	47 1.8504	31 1.2205	17 0.6693	0.6 0.024	12.7 0.500	18.3 0.720	4.5 0.177	M5×0.8 No.10-32UNF	29.6 1.1654	4.7 0.185	12 800 2 890	6 650 1 500	0.20 0.44 0.42
17 1 1/16	UC203D1LLJ UC203-011D1LLJ	17 0.6875	47 1.8504	31 1.2205	17 0.6693	0.6 0.024	12.7 0.500	18.3 0.720	4.5 0.177	M5×0.8 No.10-32UNF	29.6 1.1654	4.7 0.185	12 800 2 890	6 650 1 500	0.18 0.39
20 3/4	UC204D1LLJ UC204-012D1LLJ	20 0.7500	47 1.8504	31 1.2205	17 0.6693	1 0.039	12.7 0.500	18.3 0.720	4.5 0.177	M5×0.8 No.10-32UNF	29.6 1.1654	4.7 0.185	12 800 2 890	6 650 1 500	0.17 0.39
25 1 3/16 7/8 1 5/16 1	UC205D1LLJ UC205-013D1LLJ UC205-014D1LLJ UC205-015D1LLJ UC205-100D1LLJ	25 0.8125 0.8750 0.9375 1.0000	52 2.0472	34.1 1.3425	17 0.6693	1 0.039	14.3 0.563	19.8 0.780	5 0.197	M5×0.8 No.10-32UNF	33.9 1.3346	4.5 0.177	14 000 3 150	7 850 1 770	0.20 0.53 0.51 0.46 0.44
30 1 1/16 1 1/8 1 3/16 1 1/4	UC206D1LLJ UC206-101D1LLJ UC206-102D1LLJ UC206-103D1LLJ UC206-104D1LLJ	30 1.0625 1.1250 1.1875 1.2500	62 2.4409	38.1 1.5000	19 0.7480	1 0.039	15.9 0.626	22.2 0.874	5 0.197	M6×0.75 1/4-28UNF	40.8 1.6063	4.6 0.181	19 500 4 400	11 300 2 540	0.33 0.82 0.77 0.73 0.66
35 1 1/4 1 5/16 1 3/8 1 7/16	UC207D1LLJ UC207-104D1LLJ UC207-105D1LLJ UC207-106D1LLJ UC207-107D1LLJ	35 1.2500 1.3125 1.3750 1.4375	72 2.8346	42.9 1.6890	20 0.7874	1.5 0.059	17.5 0.689	25.4 1.000	6 0.236	M6×0.75 1/4-28UNF	46.8 1.8425	4.6 0.181	25 700 5 750	15 300 3 450	0.49 1.21 1.15 1.08 1.01
40 1 1/2 1 9/16	UC208D1LLJ UC208-108D1LLJ UC208-109D1LLJ	40 1.5000 1.5625	80 3.1496	49.2 1.9370	21 0.8268	1.5 0.059	19 0.748	30.2 1.189	8 0.315	M8×1 5/16-24UNF	53 2.0866	4.5 0.177	29 100 6 550	17 800 4 000	0.65 1.52 1.46
45 1 5/8 1 11/16 1 3/4	UC209D1LLJ UC209-110D1LLJ UC209-111D1LLJ UC209-112D1LLJ	45 1.6250 1.6875 1.7500	85 3.3465	49.2 1.9370	22 0.8661	1.5 0.059	19 0.748	30.2 1.189	8 0.315	M8×1 5/16-24UNF	57.5 2.2638	4.9 0.193	32 500 7 350	20 400 4 600	0.70 1.76 1.68 1.57
50 1 13/16 1 7/8 1 15/16 2	UC210D1LLJ UC210-113D1LLJ UC210-114D1LLJ UC210-115D1LLJ UC210-200D1LLJ	50 1.8125 1.8750 1.9375 2.0000	90 3.5433	51.6 2.0315	24 0.9449	1.5 0.059	19 0.748	32.6 1.283	9 0.354	M8×1 5/16-24UNF	62.4 2.4567	5.9 0.232	35 000 7 900	23 200 5 200	0.80 2.03 1.92 1.81 1.69

① These numbers indicate relubricatable type. If maintenance free type is needed, please order without suffix "D1".  
② Minimum allowable dimension for chamfer dimension  $r$ .

Note:  
1) For shaft tolerances, see the Ball Bearing Units catalog.  
2) The precision of ball bearings is as specified in JIS B 1558 "Ball bearings for rolling bearing units."  
3) Contact NSK Engineering for information on tapered bore ball bearings.

# Triple-sealed ball bearings for Ball bearing unit Type UC2...LLJ

Cylindrical bore with setscrew



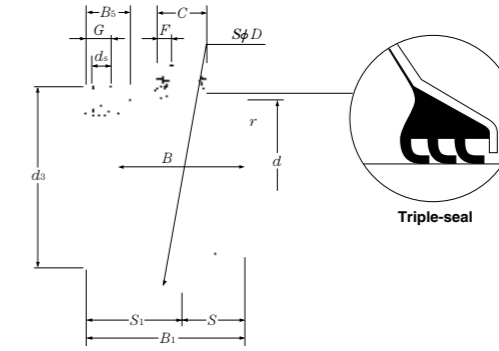
Shaft dia. mm inch.	Bearing number	Nominal dimensions											basic load ratings		mass kg lb
		d	D	B	C	r <sub>s</sub> mm min.	S	S <sub>1</sub>	G	d <sub>s</sub>	d <sub>4</sub>	F	d <sub>yn</sub> N C <sub>r</sub>	st <sub>atic</sub> lbf C <sub>0r</sub>	
55 2 2 1/16 2 1/8 2 3/16	UC211D1LLJ	55	100	55.6	25	2	22.2	33.4	9	M8×1	69	6.0	43 500	29 200	1.08
	UC211-200D1LLJ	2.0000											2.71		
	UC211-201D1LLJ	2.0625	3.9370	2.1890	0.9843	0.079	0.874	1.315	0.354	5/16-24UNF	2.7165	0.236	9 750	6 550	2.60
	UC211-202D1LLJ	2.1250											2.46		
UC211-203D1LLJ	2.1875											2.34			
60 2 1/4 2 5/16 2 3/8 2 7/16	UC212D1LLJ	60	110	65.1	27	2	25.4	39.7	10	M10×1.25	77	6.2	52 500	36 000	1.53
	UC212-204D1LLJ	2.2500											3.66		
	UC212-205D1LLJ	2.3125	4.3307	2.5630	1.0630	0.079	1.000	1.563	0.394	3/8-24UNF	3.0315	0.244	11 800	8 150	3.50
	UC212-206D1LLJ	2.3750											3.33		
UC212-207D1LLJ	2.4375											3.17			
65 2 1/2 2 9/16	UC213D1LLJ	65	120	65.1	32	2	25.4	39.7	10	M10×1.25	82.5	8.7	57 500	40 000	1.85
	UC213-208D1LLJ	2.5000	4.7244	2.5630	1.2598	0.079	1.000	1.563	0.394	3/8-24UNF	3.2480	0.343	12 900	9 000	4.26
	UC213-209D1LLJ	2.5625											4.09		
70 2 5/8 2 11/16 2 3/4	UC214D1LLJ	70	125	74.6	33	2	30.2	44.4	12	M10×1.25	87	8.8	62 000	44 000	2.10
	UC214-210D1LLJ	2.6250											5.09		
	UC214-211D1LLJ	2.6875	4.9213	2.9370	1.2992	0.079	1.189	1.748	0.472	3/8-24UNF	3.4252	0.346	14 000	9 900	4.87
	UC214-212D1LLJ	2.7500											4.65		
75 2 9/16 2 7/8 2 15/16 3	UC215D1LLJ	75	130	77.8	34	2	33.3	44.5	12	M10×1.25	93	9.0	66 000	49 500	2.35
	UC215-213D1LLJ	2.8125											5.73		
	UC215-214D1LLJ	2.8750	5.1181	3.0630	1.3386	0.079	1.311	1.752	0.472	3/8-24UNF	3.6614	0.354	14 900	11 100	5.49
	UC215-215D1LLJ	2.9375											5.25		
UC215-300D1LLJ	3.0000											4.98			
80 3 1/16 3 1/8 3 3/16	UC216D1LLJ	80	140	82.6	35	2.5	33.3	49.3	12	M10×1.25	98.1	9.5	72 500	53 000	2.80
	UC216-301D1LLJ	3.0625											6.57		
	UC216-302D1LLJ	3.1250	5.5118	3.2520	1.3780	0.098	1.311	1.941	0.472	3/8-24UNF	3.8622	0.374	16 300	11 900	6.28
	UC216-303D1LLJ	3.1875											6.00		
85 3 1/4 3 3/16 3 1/2	UC217D1LLJ	85	150	85.7	36	2.5	34.1	51.6	12	M12×1.5	106.4	10.1	83 500	64 000	3.37
	UC217-304D1LLJ	3.2500											7.92		
	UC217-305D1LLJ	3.3125	5.9055	3.3740	1.4173	0.098	1.343	2.031	0.472	1/2-20UNF	4.1890	0.398	18 700	14 300	7.60
	UC217-307D1LLJ	3.4375											6.97		
90 3 1/2	UC218D1LLJ	90	160	96	37	2.5	39.7	56.3	12	M12×1.5	111.6	9.8	96 000	71 500	4.36
	UC218-308D1LLJ	3.5000	6.2992	3.7795	1.4570	0.098	1.563	2.217	0.472	1/2-20UNF	4.3937	0.386	21 600	16 100	9.88

1) These numbers indicate relubricatable type. If maintenance free type is needed, please order without suffix "D1".  
2) Minimum allowable dimension for chamfer dimension r.

Note:  
1) For shaft tolerances, see the Ball Bearing Units catalog.  
2) The precision of ball bearings is as specified in JIS B 1558 "Ball bearings for rolling bearing units."  
3) Contact NSK Engineering for information on tapered bore ball bearings.

# Triple-sealed ball bearings for Ball bearing unit Type REL2...LLJ

Cylindrical bore with eccentric locking collar



Shaft dia. mm inch.	Bearing number	Nominal dimensions													basic load ratings		mass kg lb
		d	D	B <sub>1</sub>	B	C	r <sub>s</sub> mm min.	S	S <sub>1</sub>	G	d <sub>s</sub>	d <sub>3</sub>	B <sub>s</sub>	F	d <sub>yn</sub> N C <sub>r</sub>	st <sub>atic</sub> lbf C <sub>0r</sub>	
20 3/4	REL204D1LLJ	20	47	43.7	34.2	15	1	17.1	26.6	4.8	M6×0.75	33	13.5	3.2	12 800	6 650	0.22
	REL204-012D1LLJ	0.7500	1.8504	1.720	1.3465	0.5906	0.039	0.673	1.047	0.189	1/4-28UNF	1.299	0.531	0.126	2 890	1 500	0.43
25 1 3/16 7/8 1 5/16 1	REL205D1LLJ	25	52	44.4	34.9	15	1	17.45	26.9	4.8	M6×0.75	38	13.5	3.5	14 000	7 850	0.26
	REL205-013D1LLJ	0.8125													0.59		
	REL205-014D1LLJ	0.8750	2.0472	1.748	1.3740	0.5906	0.039	0.687	1.059	0.189	1/4-28UNF	1.496	0.531	0.138	3 150	1 770	0.56
REL205-015D1LLJ	0.9375													0.53			
REL205-100D1LLJ	1.0000													0.49			
30 1 1/16 1 1/8 1 3/16 1 1/4	REL206D1LLJ	30	62	48.4	36.5	18	1	18.25	30.1	6	M8×1	44.5	15.9	4.1	19 500	11 300	0.44
	REL206-101D1LLJ	1.0625													0.92		
	REL206-102D1LLJ	1.1250	2.4409	1.906	1.4370	0.7087	0.039	0.720	1.185	0.236	5/16-24UNF	1.752	0.626	0.161	4 400	2 540	0.87
	REL206-103D1LLJ	1.1875													0.82		
REL206-104D1LLJ	1.2500													0.78			
35 1 1/4 1 5/16 1 3/8 1 7/16	REL207D1LLJ	35	72	51.1	37.6	19	1.5	18.8	32.3	6.8	M10×1.25	55.5	17.5	4.1	25 700	15 300	0.58
	REL207-104D1LLJ	1.2500													1.41		
	REL207-105D1LLJ	1.3125	2.8346	2.012	1.4803	0.7480	0.059	0.740	1.272	0.268	3/8-24UNF	2.185	0.689	0.161	5 750	3 450	1.36
	REL207-106D1LLJ	1.3750													1.31		
REL207-107D1LLJ	1.4375													1.24			
40 1 1/2 1 9/16	REL208D1LLJ	40	80	56.3	42.8	22	1.5	21.4	34.9	6.8	M10×1.25	60	18.3	4.5	29 100	17 800	0.78
	REL208-108D1LLJ	1.5000	3.1496	2.217	1.6850	0.8661	0.059	0.843	1.374	0.268	3/8-24UNF	2.362	0.720	0.177	6 550	4 000	1.88
	REL208-109D1LLJ	1.5625													1.80		
45 1 5/8 1 11/16 1 3/4	REL209D1LLJ	45	85	56.3	42.8	22	1.5	21.4	34.9	6.8	M10×1.25	63.5	18.3	4.9	32 500	20 400	0.83
	REL209-110D1LLJ	1.6250													2.01		
	REL209-111D1LLJ	1.6875	3.3465	2.217	1.6850	0.8661	0.059	0.843	1.374	0.268	3/8-24UNF	2.500	0.720	0.193	7 350	4 600	1.93
	REL209-112D1LLJ	1.7500													1.84		
50 1 11/16 1 7/8 1 15/16 2	REL210D1LLJ	50	90	62.7	49.2	22	1.5	24.6	38.1	6.8	M10×1.25	69.5	18.3	4.3	35 000	23 200	0.96
	REL210-113D1LLJ	1.8125													2.42		
	REL210-114D1LLJ	1.8750	3.5433	2.469	1.9370	0.8661	0.059	0.969	1.500	0.268	3/8-24UNF	2.736	0.720	0.169	7 900	5 200	2.32
	REL210-115D1LLJ	1.9375													2.21		
REL210-200D1LLJ	2.0000													2.05			
55 2 2 1/16 2 1/8 2 3/16	REL211D1LLJ	55	100	71.4	55.5	24	2	27.8	43.6	8	M10×1.25	76	20.7	4.6	43 500	29 200	1.29
	REL211-200D1LLJ	2.0000													3.21		
	REL211-201D1LLJ	2.0625	3.9370	2.811	2.1850	0.9449	0.079	1.094	1.717	0.315	3/8-24UNF	2.992	0.815	0.181	9 750	6 550	3.05
	REL211-202D1LLJ	2.1250													2.95		
REL211-203D1LLJ	2.1875													2.83			
60 2 1/4 2 5/16 2 3/8 2 7/16	REL212D1LLJ	60	110	77.8	61.9	27	2	31	46.8	8	M10×1.25	84	22.3	6.2	52 500	36 000	1.83
	REL212-204D1LLJ	2.2500													4.29		
	REL212-205D1LLJ	2.3125	4.3307	3.063	2.4370	1.0630	0.079	1.220	1.843	0.315	3/8-24UNF	3.307	0.878	0.245	11 800	8 150	4.13
	REL212-206D1LLJ	2.3750													3.96		
REL212-207D1LLJ	2.4375													3.79			
65 2 1/2 2 9/16	REL213D1LLJ	65	120	85.7	68.3	27	2	34.2	51.5	8.7	M10×1.25	97	23.8	6.2	57 500	40 000	2.46
	REL213-208D1																



## Worldwide Sales Offices

<b>NSK Ltd. –Headquarters, Tokyo, Japan</b>	<a href="http://www.nsk.com">www.nsk.com</a>	<b>Korea:</b>		Industria Cuscinetti S.p.A.	
INDUSTRIAL MACHINERY BEARINGS DIVISION-HEADQUARTERS	tel: 03-3779-7227	NSK Korea Co., Ltd.	<a href="http://www.kr.nsk.com">www.kr.nsk.com</a>	Torino Plant	tel: 0119824811
AFTERMARKET BUSINESS DIVISION-HEADQUARTERS	tel: 03-3779-8893	Seoul	tel: 02-3287-0300	<b>Netherlands:</b>	
AUTOMOTIVE BUSINESS DIVISION-HEADQUARTERS	tel: 03-3779-7189	Changwon Plant	tel: 055-287-6001	NSK European Distribution Centre B.V.	
NEEDLE ROLLER BEARINGS STRATEGIC DIVISION-HEADQUARTERS	tel: 03-3779-7288	<b>Malaysia:</b>		Tilburg	tel: 013-4647647
PRECISION MACHINERY & PARTS DIVISION-HEADQUARTERS	tel: 03-3779-7163	NSK Bearings (Malaysia) Sdn. Bhd.	<a href="http://www.my.nsk.com">www.my.nsk.com</a>	<b>Poland:</b>	
		Kuala Lumpur	tel: 03-7803-8859	NSK Europe Ltd. Warsaw Liaison Office	
		NSK Micro Precision (M) Sdn. Bhd.	<a href="http://www.my.nsk.com">www.my.nsk.com</a>	Warsaw Liaison	tel: 022-645-1525, 1526
		Malaysia Plant	tel: 03-8961-6288	NSK Iskra S.A.	
		<b>New Zealand:</b>		Kielce	tel: 041-367-0505
		NSK New Zealand Ltd.	<a href="http://www.nsk-rhp.co.nz">www.nsk-rhp.co.nz</a>	NSK European Technology Center, Poland Office	tel: 041-366-5812
		Auckland	tel: 09-276-4992	NSK Steering Systems Europe (Polska) Sp.zo.o	
		<b>Philippines:</b>		Walbrzych	tel: 074-664-4101
<b>Africa</b>		NSK Representative Office		<b>Spain:</b>	
<b>South Africa:</b>		Manila	tel: 02-759-6246	NSK Spain S.A.	
NSK South Africa (Pty) Ltd.	tel: 011-458-3600	<b>Singapore:</b>		Barcelona	tel: 093-289-27-63
Johannesburg		NSK International (Singapore) Pte Ltd.		<b>Turkey:</b>	
<b>Asia and Oceania</b>		Singapore	tel: 65-6273-0357	NSK Bearings Middle East Trading Co., Ltd.	
<b>Australia:</b>		NSK Singapore (Pte) Ltd.	<a href="http://www.nsk-singapore.com.sg">www.nsk-singapore.com.sg</a>	Istanbul	tel: 0216-355-0398
NSK Australia Pty. Ltd.	<a href="http://www.au.nsk.com">www.au.nsk.com</a>	Singapore	tel: 65-6278-1711	<b>United Kingdom:</b>	
Melbourne	tel: 03-9764-8302	<b>Taiwan:</b>		NSK Bearings Europe Ltd.	
<b>China:</b>		Taiwan NSK Precision Co., Ltd.		Peterlee Plant	tel: 0191-586-6111
NSK Hong Kong Ltd.	tel: 2739-9933	Taipei	tel: 02-2509-3305	NSK European Technology Centre	
Hong Kong		Taiwan NSK Technology Co., Ltd.	tel: 02-2509-3305	Newark	tel: 01636-605123
Kunshan Plant	tel: 0512-5771-5654	Taipei		NSK UK Ltd.	tel: 01636-605123
Changshu NSK Needle Bearing Co., Ltd.	tel: 0512-5230-1111	<b>Thailand:</b>		Newark	tel: 01636-605123
Jiangsu Plant	tel: 0853-3522332	NSK Bearings (Thailand) Co., Ltd.		Newark Precision UK Ltd.	tel: 01636-605123
Anshun Plant	tel: 0769-262-0960	Bangkok	tel: 02-6412-150	Newark	tel: 024-76-588588
NSK Steering Systems Dongguan Co., Ltd.	tel: 0769-262-0960	NSK Bearings Manufacturing (Thailand) Co., Ltd.	tel: 038-454010-454016	NSK Steering Systems Europe Ltd.	
Dongguan Plant	tel: 0512-5867-6496	Chonburi	tel: 038-522-343-350	Coventry	tel: 024-76-588588
Zhangjiagang NSK Precision Machinery Co., Ltd.	tel: 0512-5867-6496	SIAM NSK Steering Systems Co., Ltd.	tel: 038-522-343-350	<b>North and South America</b>	
Jiangsu Plant	tel: 0512-6665-5666	Chachoengsao	tel: 038-454631-454633	<b>NSK Americas, Inc. (American Headquarters)</b>	
Timken-NSK Bearings (Suzhou) Co., Ltd.	tel: 0512-6665-5666	NSK Asia Pacific Technology Center (Thailand) Co., Ltd.	tel: 038-454631-454633	Ann Arbor	tel: 734-913-7500
Jiangsu Plant	tel: 0512-5771-5654	Chonburi		<b>Argentina:</b>	
NSK China Technology Center	tel: 0512-5771-5654	<b>Vietnam:</b>		NSK Argentina SRL	
Jiangsu	tel: 021-6235-0198	NSK Representative Office		Buenos Aires	tel: 11-4704-5100
NSK (Shanghai) Trading Co., Ltd.	tel: 021-6235-0198	Hanoi	tel: 04-935-1269	<b>Brazil:</b>	
Shanghai	tel: 021-6235-0198	Ho Chi Minh City	tel: 08-822-7907	NSK Brasil Ltda.	<a href="http://www.br.nsk.com">www.br.nsk.com</a>
<b>NSK Representative Offices</b>	<a href="http://www.nsk.com.cn">www.nsk.com.cn</a>	<b>Europe</b>		São Paulo	tel: 011-3269-4786
Beijing	tel: 010-6590-8161	<b>NSK Europe Ltd. (European Headquarters)</b>	<a href="http://www.eu.nsk.com">www.eu.nsk.com</a>	<b>Canada:</b>	
Guangzhou	tel: 020-3786-4833	Maidenhead, U.K.	tel: 01628-509800	NSK Canada Inc.	<a href="http://www.ca.nsk.com">www.ca.nsk.com</a>
Anshun	tel: 0853-3522522	<b>France:</b>		Toronto	tel: 905-890-0740
Chengdu	tel: 028-8661-4200	NSK France S.A.S		<b>Mexico:</b>	
Shenzhen	tel: 0755-25904886	Paris	tel: 01-30-57-39-39	NSK Rodamientos Mexicana, S.A. de C.V.	<a href="http://www.mx.nsk.com">www.mx.nsk.com</a>
Changchun	tel: 0431-8988682	<b>Germany:</b>		Mexico City	tel: 55-5390-4312
NSK (China) Investment Co., Ltd.	tel: 021-6235-0198	NSK Deutschland GmbH		<b>United States of America:</b>	
Shanghai	tel: 021-6235-0198	Düsseldorf	tel: 02102-481-0	NSK Corporation	<a href="http://www.us.nsk.com">www.us.nsk.com</a>
<b>India:</b>		NSK Precision Europe GmbH	tel: 02102-481-0	Ann Arbor	tel: 734-913-7500
Rane NSK Steering Systems Ltd.	tel: 044-274-66002	Düsseldorf	tel: 02102-481-0	NSK American Technology Center	
Chennai	tel: 044-2446-6862	NSK Steering Systems Europe Ltd.	tel: 0771-79082-277	Ann Arbor	tel: 734-913-7500
NSK Ltd. India Blanch Office	tel: 124-4104530	Stuttgart	tel: 0771-79082-277	NSK Precision America, Inc.	<a href="http://www.npa.nsk.com">www.npa.nsk.com</a>
Chennai	tel: 124-4104530	Neuweg Fertigung GmbH	tel: 07393-540	Franklin	tel: 317-738-5000
Gurgaon	tel: 021-252-3458	Munderkingen	tel: 07393-540	NSK Steering Systems America, Inc.	<a href="http://www.nssa.nsk.com">www.nssa.nsk.com</a>
<b>Indonesia:</b>		<b>Italy:</b>		Bennington, Vermont	tel: 802-442-5448
PT. NSK Bearings Manufacturing Indonesia	tel: 021-898-0155	NSK Italia S.p.A.		NSK Latin America, Inc.	<a href="http://www.la.nsk.com">www.la.nsk.com</a>
Jakarta	tel: 021-252-3458	Milano	tel: 02-995-19-1	Miami	tel: 305-477-0605

NSK Ltd. has a basic policy not to export any products or technology designated as controlled items by export-related laws. When exporting the products in this brochure, the laws of the exporting country must be observed. Specifications are subject to change without notice and without any obligation on the part of the manufacturer. Every care has been taken to ensure the accuracy of the data contained in this brochure, but no liability can be accepted for any loss or damage suffered through errors or omissions. We will gratefully acknowledge any additions or corrections.

For more information about NSK products, please contact: \_\_\_\_\_



Printed on 100% recycled paper.